



US00D814435S

(12) **United States Design Patent**
Kwon

(10) **Patent No.:** **US D814,435 S**

(45) **Date of Patent:** **** Apr. 3, 2018**

(54) **FLEXIBLE ELECTRONIC DEVICE**

8,194,399 B2 * 6/2012 Ashcraft G06F 1/1626
257/59

(71) Applicant: **LENOVO (BEIJING) CO., LTD.,**
Beijing (CN)

8,306,575 B2 * 11/2012 Kubodera H04M 1/022
379/428.01

(72) Inventor: **Jincherl Kwon**, Beijing (CN)

D681,000 S * 4/2013 Koh D14/203.4

D681,055 S * 4/2013 Koh D14/496

D697,044 S * 1/2014 Zhang D14/138 G

D709,487 S * 7/2014 Kang D14/250

(73) Assignee: **LENOVO (BEIJING) CO., LTD.,**
Beijing (CN)

(Continued)

(**) Term: **15 Years**

Primary Examiner — Sheryl Lane

Assistant Examiner — Calvin E Vansant

(21) Appl. No.: **29/562,445**

(74) *Attorney, Agent, or Firm* — Oppedahl Patent Law
Firm LLC

(22) Filed: **Apr. 26, 2016**

(57) **CLAIM**

The ornamental design for a flexible electronic device, as shown and described.

(30) **Foreign Application Priority Data**

DESCRIPTION

Oct. 26, 2015 (CN) 2015 3 0416725

(51) **LOC (11) Cl.** **14-03**

(52) **U.S. Cl.**
USPC **D14/138 AB**

(58) **Field of Classification Search**
USPC D14/138 G, 138 AB, 138 AD, 138 C,
D14/138 AC, 138 R, 138 AA, 203.7,
D14/203.3, 203.1, 248, 250, 341, 496
CPC G06F 1/1626; G06F 1/1652; H04M 1/027;
H04M 1/0202; H04M 1/0279; H04M
1/0235; H04M 1/0237; H04M 1/0239;
H04M 1/0266; H04M 1/0268; H04M
1/029; H05K 5/0217
See application file for complete search history.

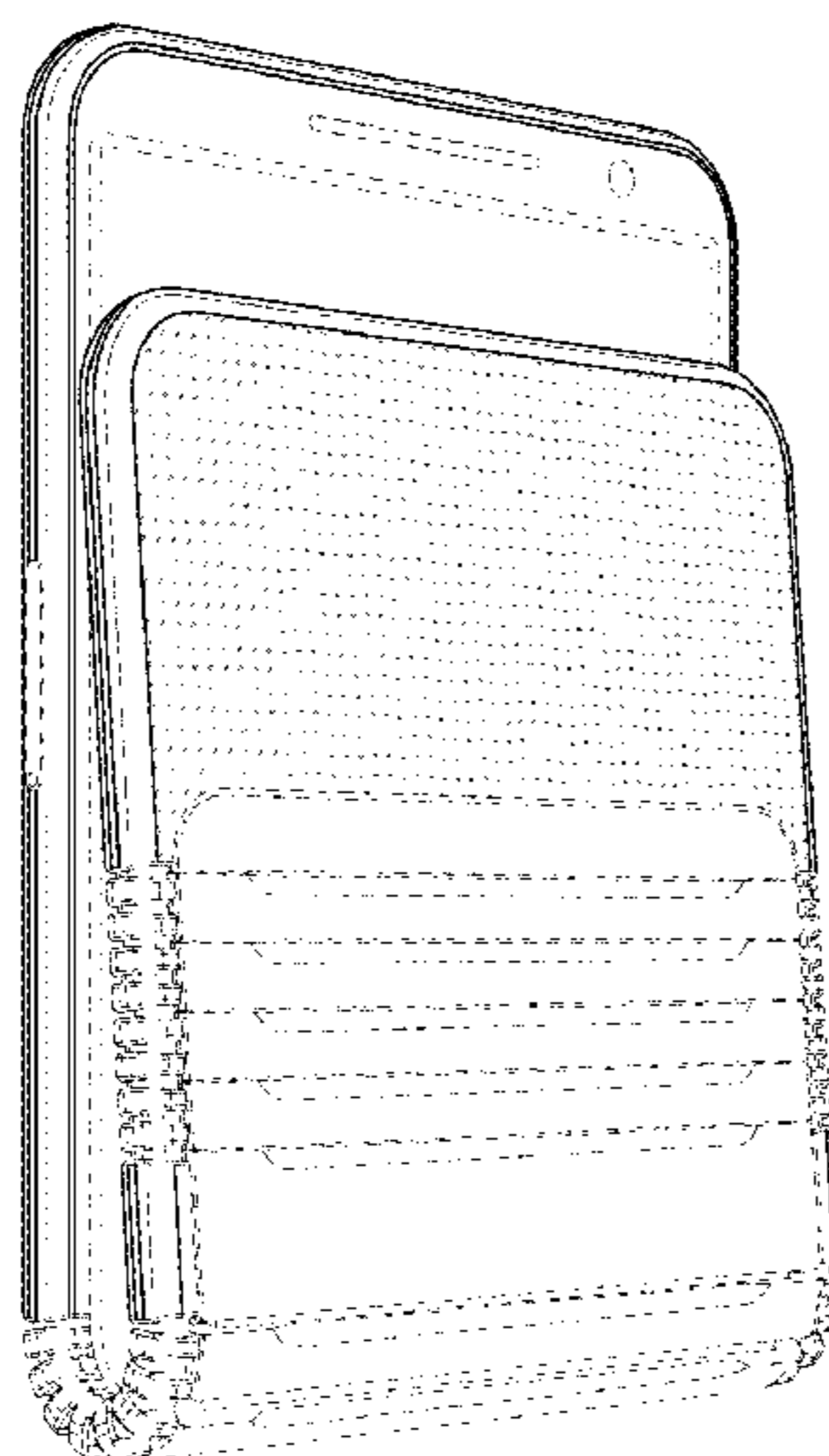
FIG. 1 is a perspective view of a flexible electronic device showing the new design;
FIG. 2 is a front view thereof;
FIG. 3 is a back view thereof;
FIG. 4 is a left side view thereof;
FIG. 5 is a right side view thereof;
FIG. 6 is a top view thereof;
FIG. 7 is a bottom view thereof;
FIG. 8 is a perspective view of the new design shown in a first bending position;
FIG. 9 is a left side view of FIG. 8;
FIG. 10 is a perspective view of the new design shown in a second bending position;
FIG. 11 is a left side view of FIG. 10;
FIG. 12 is a perspective view of the new design shown in a third bending position;
FIG. 13 is a left side view of FIG. 12; and,
FIG. 14 is another perspective view of the new design shown in the third bending position.
The broken lines depict portions of the flexible electronic device that form no part of the claim.

(56) **References Cited**

U.S. PATENT DOCUMENTS

D468,279 S * 1/2003 Kim D14/138 AB
D576,601 S * 9/2008 Yasuda D14/138 AB
D588,126 S * 3/2009 Chiang D14/345
D589,923 S * 4/2009 Kim D14/138 AB
D597,059 S * 7/2009 Haspil D14/147
D603,363 S * 11/2009 Choi D14/138 AB

1 Claim, 11 Drawing Sheets



(56)

References Cited

U.S. PATENT DOCUMENTS

D713,841 S * 9/2014 Lim D14/341
 8,837,126 B2 * 9/2014 Cho G06F 1/1601
 361/679.01
 D715,758 S * 10/2014 Yun D14/138 R
 D715,759 S * 10/2014 Choi D14/138 AB
 D716,246 S * 10/2014 Yun D14/138 R
 D716,247 S * 10/2014 Yun D10/32
 D716,751 S * 11/2014 Lee D14/138 AB
 D719,540 S * 12/2014 Lee D14/138 AB
 D723,489 S * 3/2015 Song D14/138 G
 D726,673 S * 4/2015 Lee D14/138 G
 9,013,864 B2 * 4/2015 Griffin H04M 1/0216
 16/382
 9,069,521 B2 * 6/2015 Lee G06F 1/16
 9,173,287 B1 * 10/2015 Kim H05K 1/028
 D744,448 S * 12/2015 Im D14/138 AA
 D744,992 S * 12/2015 Lee D14/248
 D745,001 S * 12/2015 Cho D14/341
 D746,285 S * 12/2015 Okabe D14/345
 D749,571 S * 2/2016 Park D14/203.4
 D749,573 S * 2/2016 Park D14/203.4
 D749,574 S * 2/2016 Park D14/203.4
 D749,575 S * 2/2016 Park D14/203.4
 D749,576 S * 2/2016 Park D14/203.4
 D764,431 S * 8/2016 Hibi D14/138 G
 D767,526 S * 9/2016 Lee D14/138 AB
 D772,225 S * 11/2016 Kim D14/341
 D775,095 S * 12/2016 Kim D14/138 G
 D775,597 S * 1/2017 Kim D14/138 G
 D776,073 S * 1/2017 Kim D14/138 G
 D777,129 S * 1/2017 Xu D14/138 G
 D778,862 S * 2/2017 Hibi D14/138 G
 D788,726 S * 6/2017 Lee D14/138 AB
 D788,734 S * 6/2017 Park D14/138 AB
 D788,735 S * 6/2017 Daniel D14/138 G
 9,710,021 B2 * 7/2017 Kauhaniemi G06F 1/1652
 D800,112 S * 10/2017 Park D14/138 AB
 2006/0105824 A1 * 5/2006 Kim H04M 1/0214
 455/575.8

2012/0314399 A1 * 12/2012 Bohn G06F 1/1616
 362/97.1
 2013/0216740 A1 * 8/2013 Russell-Clarke B23K 26/38
 428/33
 2013/0321340 A1 * 12/2013 Seo G06F 1/1641
 345/174
 2014/0198036 A1 * 7/2014 Kim G06F 1/1652
 345/156
 2014/0226275 A1 * 8/2014 Ko G06F 1/1626
 361/679.27
 2014/0255899 A1 * 9/2014 Poullain G06F 1/1616
 434/351
 2014/0285476 A1 * 9/2014 Cho G06F 1/1601
 345/204
 2014/0319550 A1 * 10/2014 Yamazaki H01L 51/5237
 257/88
 2014/0353613 A1 * 12/2014 Cheon H01L 51/0097
 257/40
 2015/0055287 A1 * 2/2015 Seo G06F 1/1652
 361/679.27
 2015/0131222 A1 * 5/2015 Kauhaniemi G06F 1/1652
 361/679.27
 2015/0153778 A1 * 6/2015 Jung G06F 1/1677
 345/156
 2015/0338888 A1 * 11/2015 Kim G06F 1/1677
 345/156
 2015/0378397 A1 * 12/2015 Park G06F 1/1652
 361/679.27
 2015/0378557 A1 * 12/2015 Jeong G06F 3/0488
 715/835
 2016/0062408 A1 * 3/2016 Lee G06F 1/1641
 345/173
 2016/0132074 A1 * 5/2016 Kim G06F 1/1652
 715/769
 2016/0155967 A1 * 6/2016 Lee H01L 51/5281
 257/88
 2016/0187935 A1 * 6/2016 Tazbaz G06F 1/1681
 361/679.03
 2016/0195901 A1 * 7/2016 Kauhaniemi G06F 1/1681
 361/679.27

* cited by examiner



Fig. 1

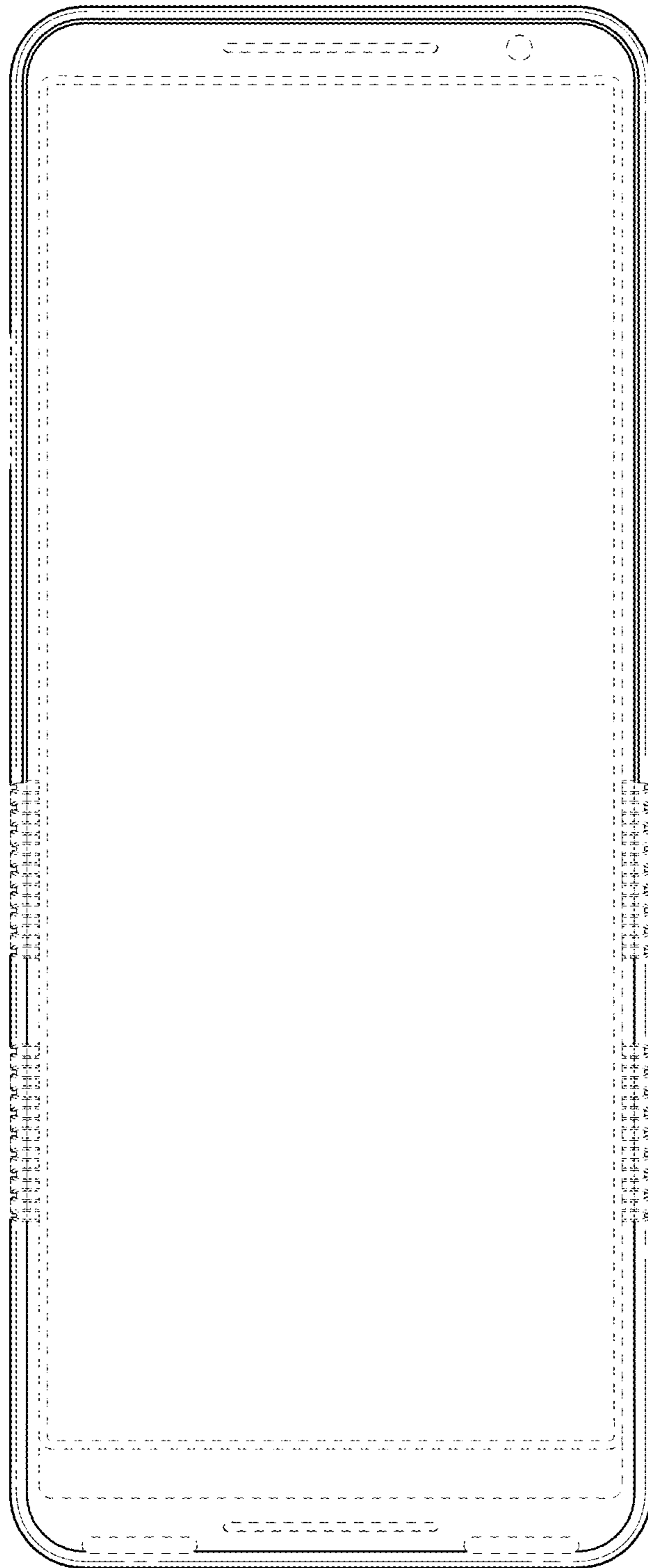


Fig. 2

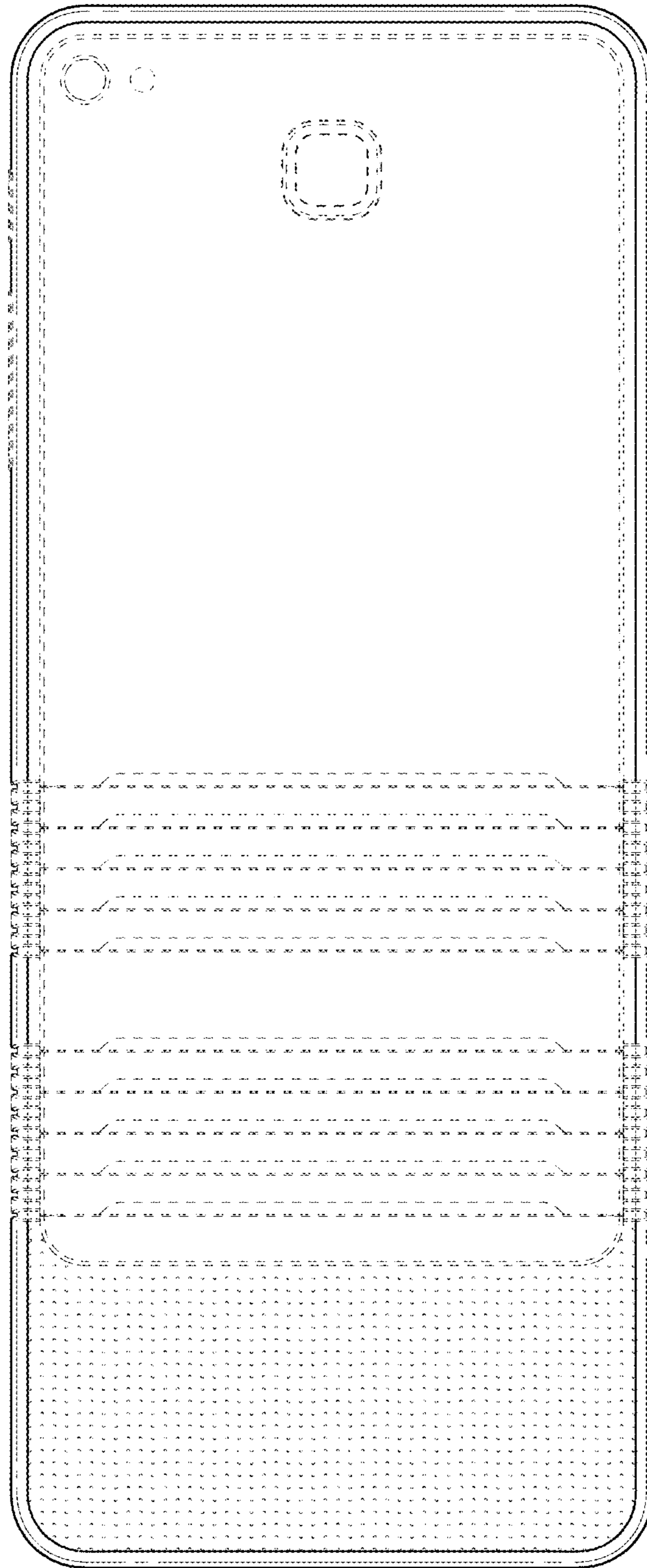


Fig. 3



Fig. 4



Fig. 5

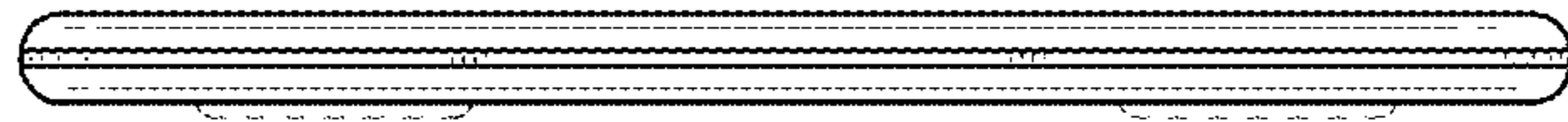


Fig. 6

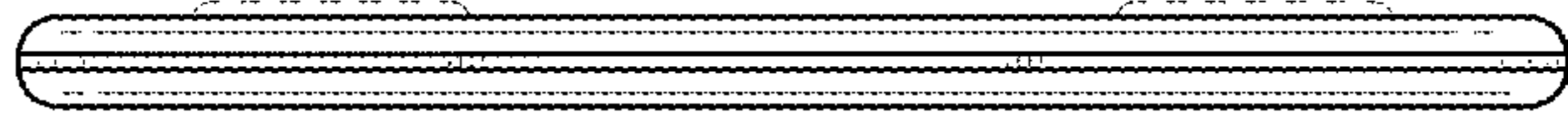


Fig. 7



Fig. 8

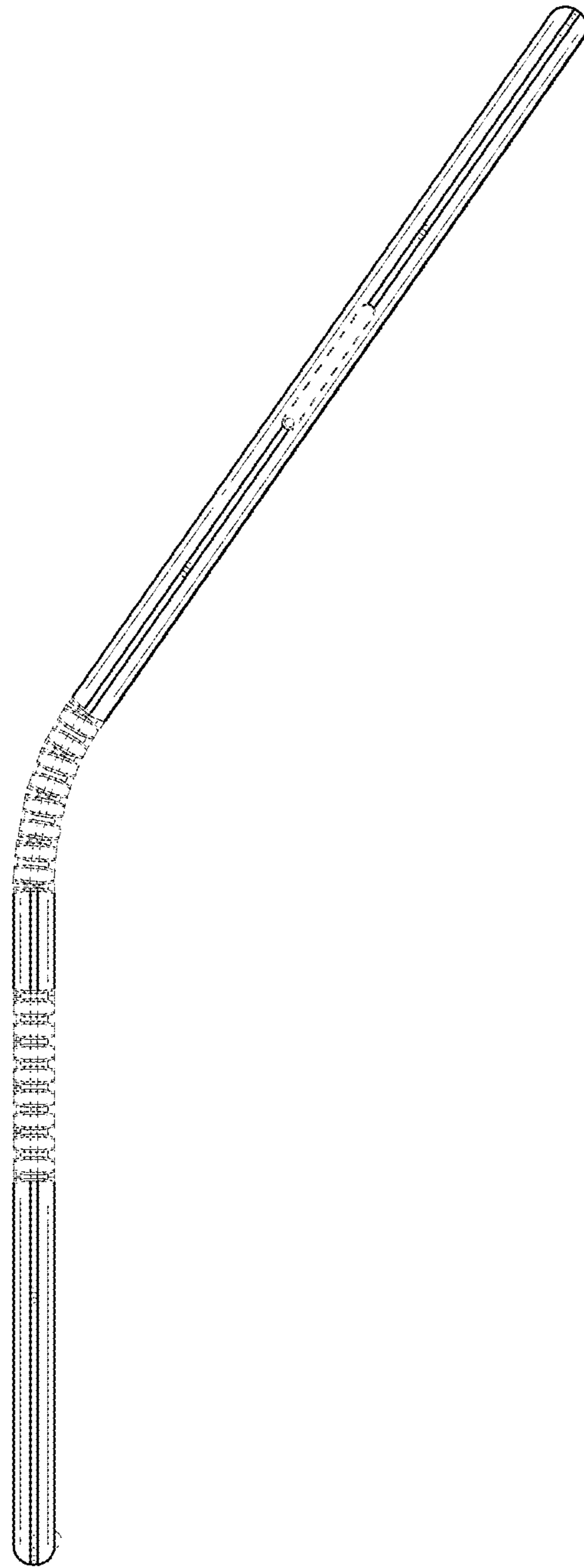


Fig. 9

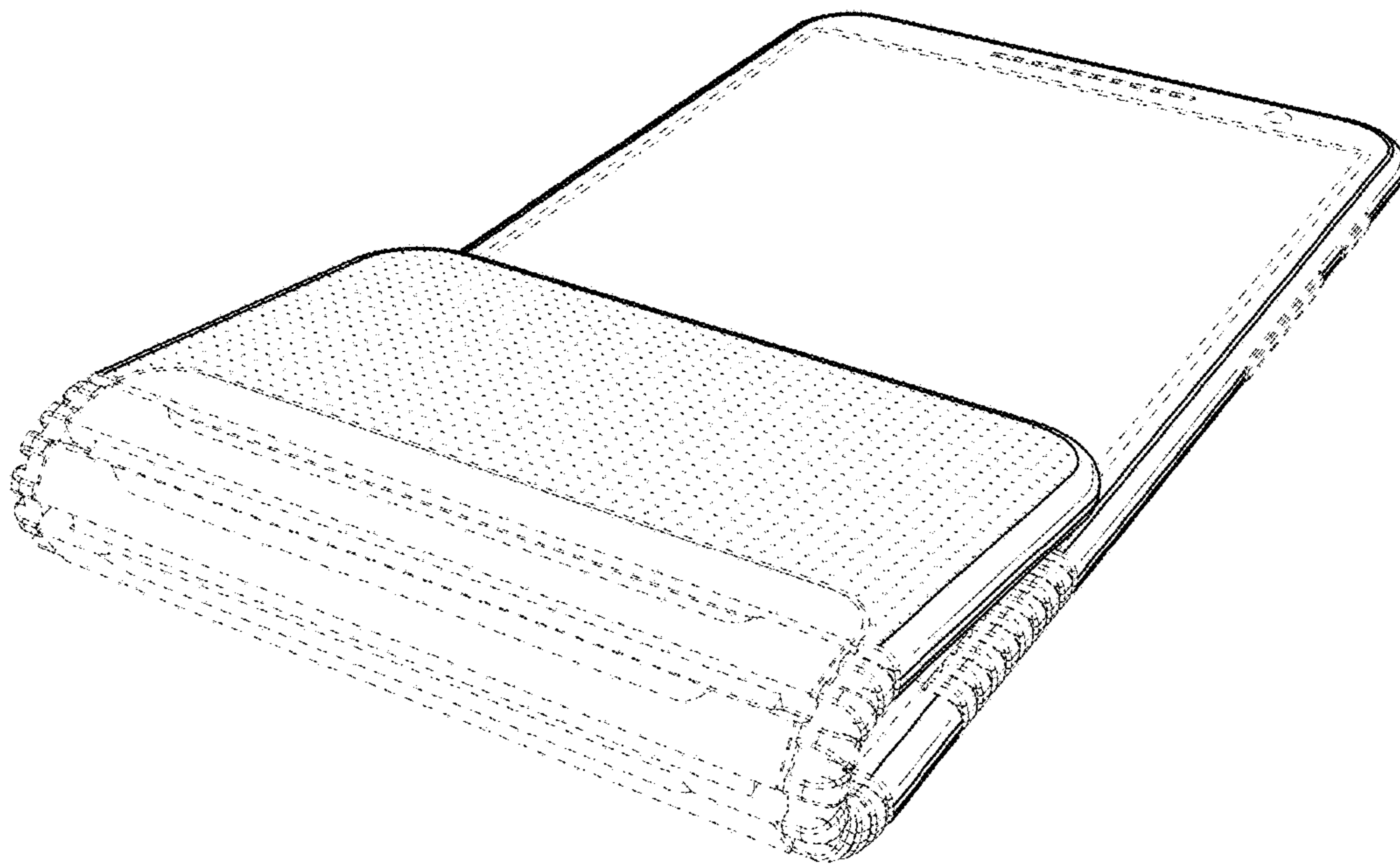


Fig. 10

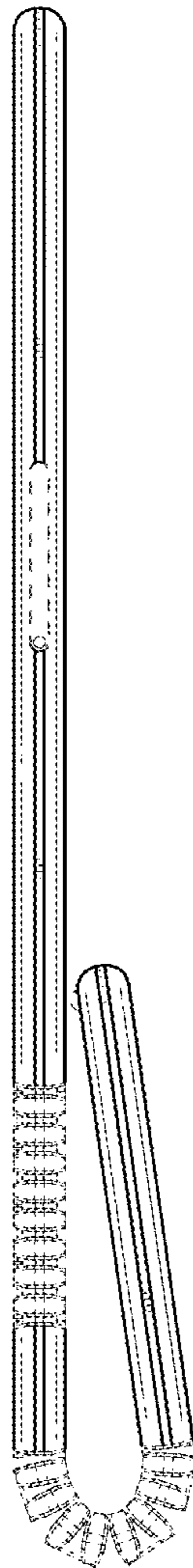


Fig. 11

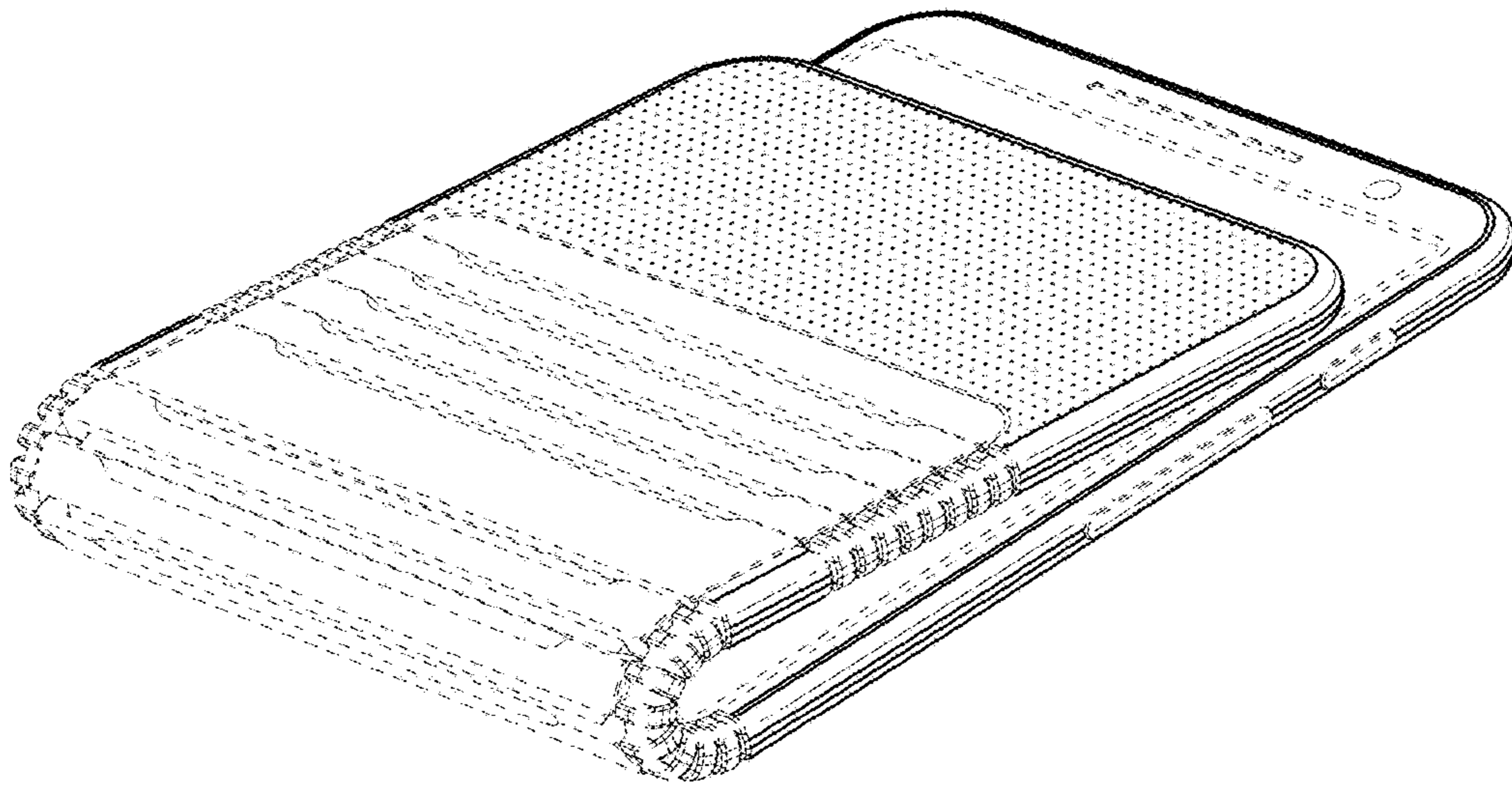


Fig. 12

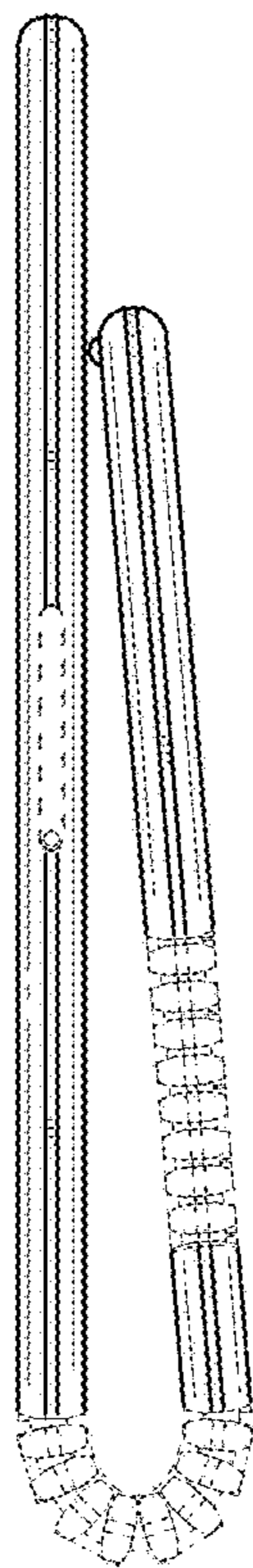


Fig. 13

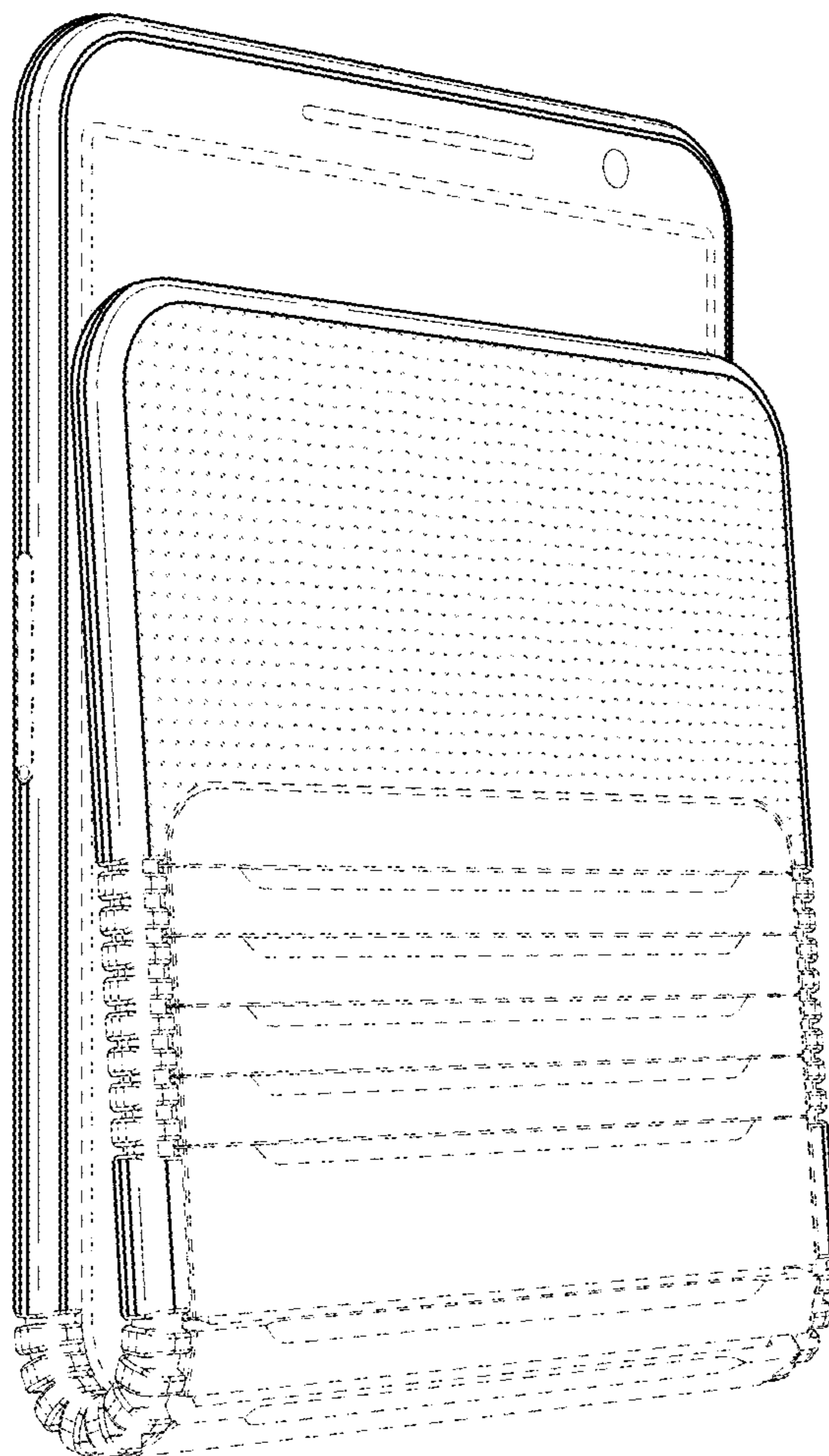


Fig. 14