



US00D814428S

(12) **United States Design Patent** (10) **Patent No.:** **US D814,428 S**  
**Dimberg et al.** (45) **Date of Patent:** **\*\* \*Apr. 3, 2018**

(54) **CONTROL DEVICE**

(71) Applicant: **Lutron Electronics Co., Inc.**,  
Coopersburg, PA (US)  
(72) Inventors: **Chris Dimberg**, Easton, PA (US);  
**Susan Hakkarainen**, Doylestown, PA  
(US); **Jason C. Killo**, Emmaus, PA  
(US); **Brad Michael Kreschollek**,  
Bethlehem, PA (US); **Noel Mayo**,  
Philadelphia, PA (US); **Matthew Philip  
McDonald**, Phoenixville, PA (US)

(73) Assignee: **Lutron Electronics Co., Ltd.**,  
Coopersburg, PA (US)

(\*) Notice: This patent is subject to a terminal dis-  
claimer.

(\*\*) Term: **15 Years**

(21) Appl. No.: **29/569,814**

(22) Filed: **Jun. 30, 2016**

(51) **LOC (11) Cl.** ..... **13-03**

(52) **U.S. Cl.**  
USPC ..... **D13/174; D13/168**

(58) **Field of Classification Search**  
USPC ..... D13/162, 168, 171, 173, 174; D14/487,  
D14/489; D10/104.1  
CPC ..... H01H 3/12; H01H 3/122; H01H 9/02;  
H01H 9/16; H01H 9/18; H01H 9/181;  
H01H 9/182; H01H 13/023; H01H 13/04;  
H01H 13/06; H01H 13/14; H01H  
2009/187; H05B 33/0803; H05B 33/0863;  
H05B 37/02; H05B 37/0254; H05B  
37/0272; H05B 39/02; H05B 39/04;  
H05B 39/085; H05B 39/086; H05B  
39/088; G08C 17/02; H03K 17/962

See application file for complete search history.

(56) **References Cited**

U.S. PATENT DOCUMENTS

D362,841	S	*	10/1995	Roza	.....	D13/171
6,107,583	A	*	8/2000	Berfield	.....	H01H 23/143 200/302.2
D441,346	S	*	5/2001	Bonn	.....	D13/174
D464,630	S	*	10/2002	Woodworth	.....	D13/171
D469,411	S	*	1/2003	Decosse	.....	D13/171
D515,516	S	*	2/2006	Mayo	.....	D13/171
D558,692	S	*	1/2008	Neveu	.....	D13/174
D589,463	S	*	3/2009	Sykes	.....	D13/168
7,884,299	B2	*	2/2011	Glew	.....	H03K 17/955 200/310

(Continued)

OTHER PUBLICATIONS

Legrand® / Pass & Seymour®, P&S Dimmers—DR Series Bro-  
chure, 2010, 2 pages.

(Continued)

*Primary Examiner* — Selina Sikder  
(74) *Attorney, Agent, or Firm* — Saidman DesignLaw  
Group, LLC

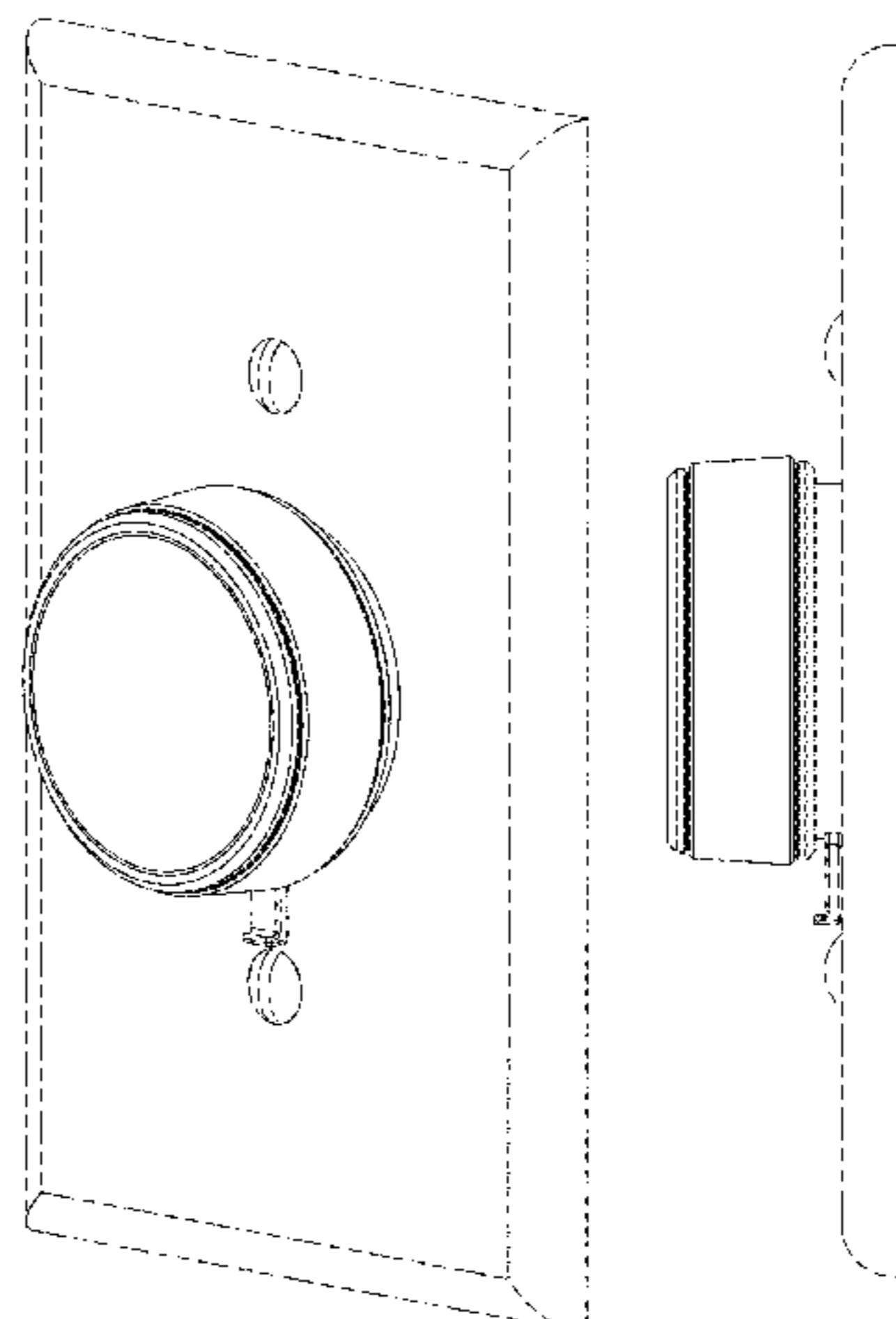
(57) **CLAIM**

The ornamental design for a control device, as shown and  
described.

**DESCRIPTION**

FIG. 1 is a front perspective view of a control device  
showing our new design;  
FIG. 2 is a front view thereof;  
FIG. 3 is a left side view thereof;  
FIG. 4 is a right side view thereof;  
FIG. 5 is a top view thereof; and,  
FIG. 6 is a bottom view thereof.  
The dashed broken lines illustrate structure or features  
which form no part of the claimed design.

(Continued)



In FIGS. 1-6 drawing views, the thick solid black lines depict surfaces having the contrast in appearance as shown.

**1 Claim, 4 Drawing Sheets**

(56)

**References Cited**

U.S. PATENT DOCUMENTS

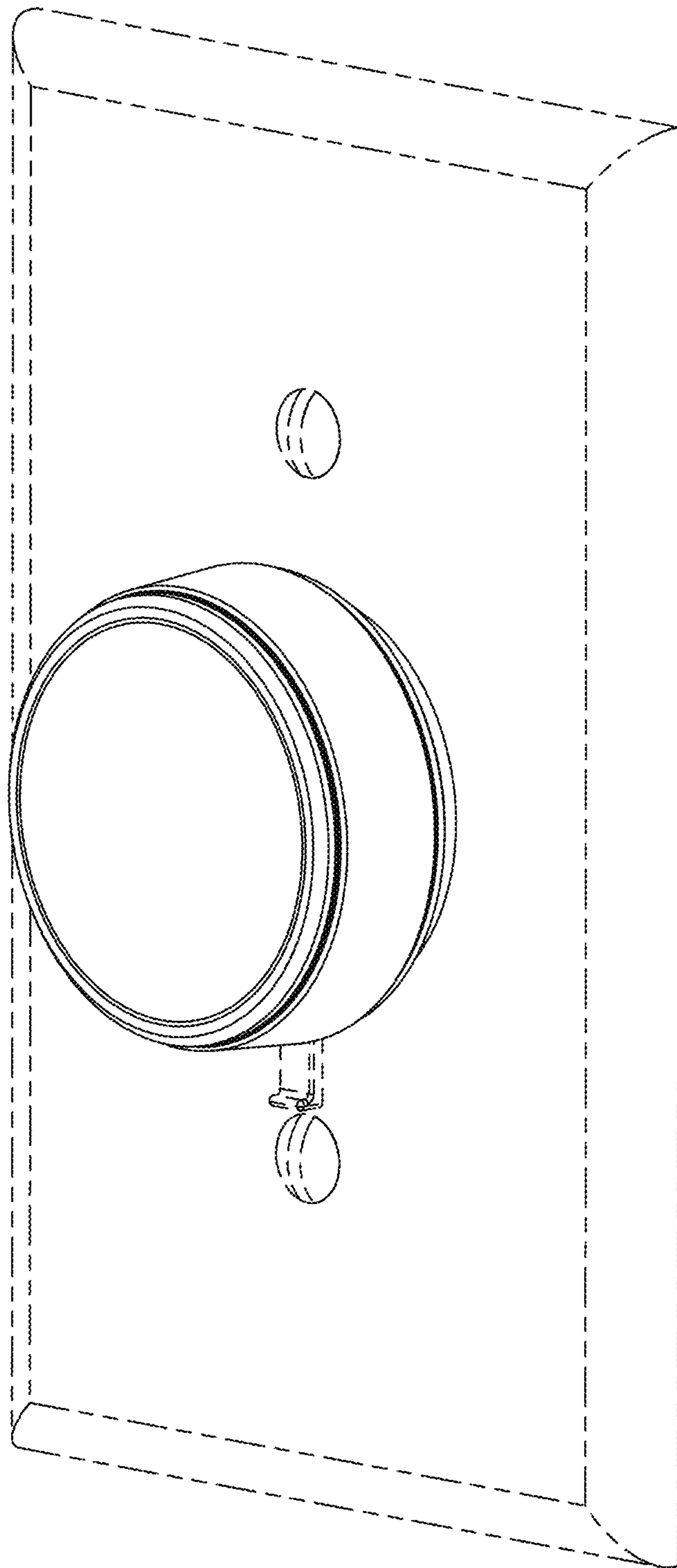
D645,005	S *	9/2011	Menheere	.....	D13/171
D654,880	S *	2/2012	Lam	.....	D13/174
D687,328	S *	8/2013	Clymer	.....	D10/104.1
8,786,196	B2	7/2014	Biery et al.		
D725,612	S *	3/2015	Schlegel	.....	D13/174
D748,648	S *	2/2016	Kim	.....	D14/486
D755,037	S *	5/2016	Czerwinski, Jr.	.....	D8/300
9,337,943	B2 *	5/2016	Mosebrook	.....	H04L 12/2816
D761,277	S *	7/2016	Harvell	.....	D14/485
D762,716	S *	8/2016	Yang	.....	D14/489
D763,308	S *	8/2016	Wang	.....	D14/486
D766,844	S *	9/2016	Turksu	.....	D10/104.1
D786,932	S *	5/2017	Kim	.....	D14/488
2007/0057922	A1 *	3/2007	Schultz	.....	G06F 3/03547
					345/173
2007/0102275	A1 *	5/2007	Genz	.....	H01H 13/06
					200/406

2007/0193867	A1 *	8/2007	Lorenzo Riera	.....	H01H 13/023
					200/314
2010/0175971	A1 *	7/2010	Kim	.....	B60R 25/04
					200/313
2013/0328500	A1 *	12/2013	Toda	.....	H05B 37/0209
					315/292
2014/0042002	A1 *	2/2014	Chu	.....	H03K 17/9622
					200/313
2014/0117871	A1	5/2014	Swatsky et al.		
2015/0371534	A1	12/2015	Dimberg et al.		

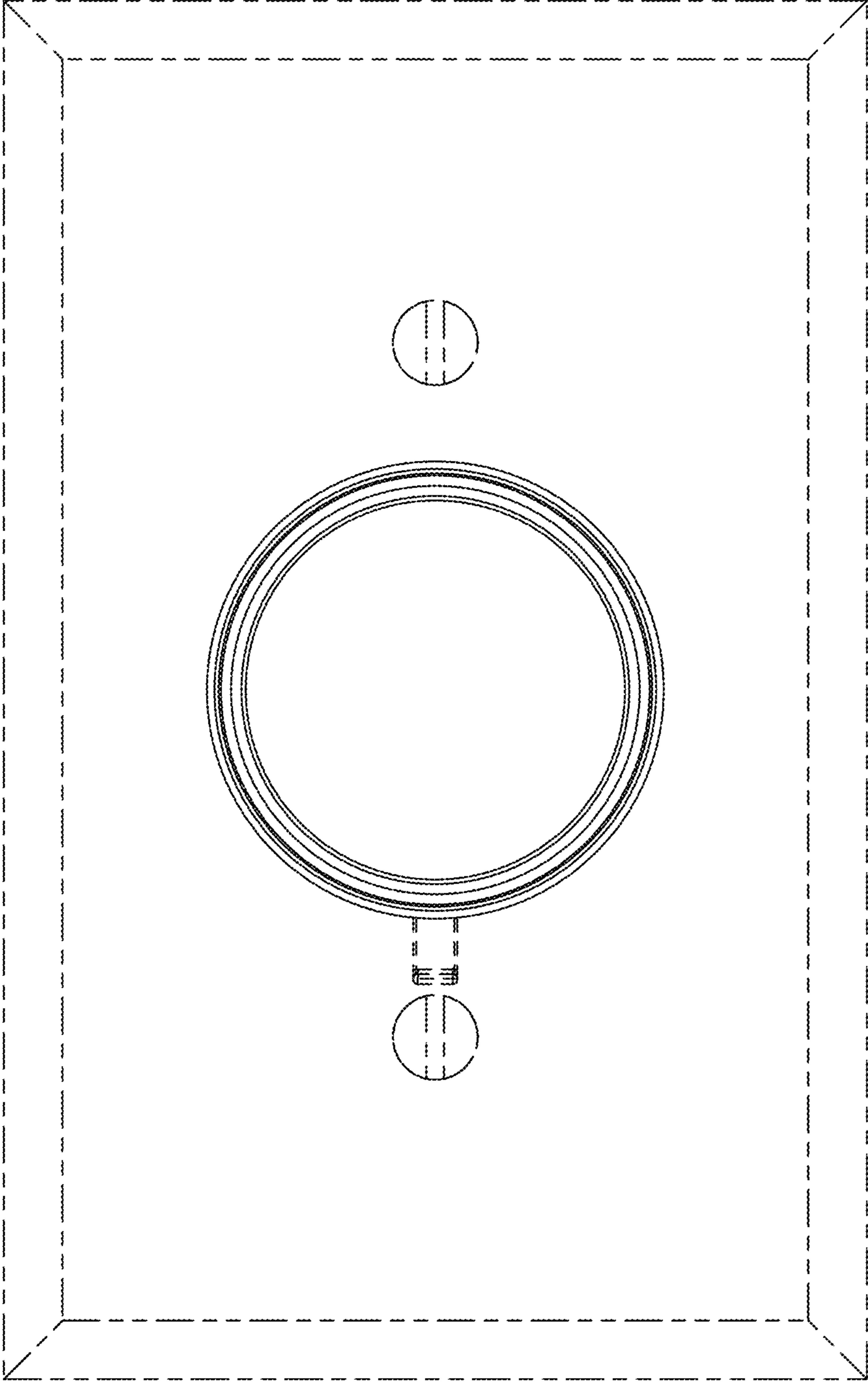
OTHER PUBLICATIONS

Legrand®, Dimmers Brochure, 2015, 18 pages.  
 Lumenpulse™, Lumentone™ Specification Sheet, 2013, 4 pages.  
 Lumenpulse™, Lumentone™ Installation Instructions, 2013, 1 page.  
 Lumenpulse™, Lumentone™ Quick Reference Guide, 2015, 3 pages.  
 U.S. Appl. No. 62/345,449, filed Jun. 3, 2016 (unpublished).  
 U.S. Appl. No. 62/345,222, filed Jun. 3, 2016 (unpublished).  
 U.S. Appl. No. 29/566,959, filed Jun. 3, 2016 (unpublished).  
 U.S. Appl. No. 29/566,966, filed Jun. 3, 2016 (unpublished).  
 U.S. Appl. No. 29/569,786, filed Jun. 30, 2016 (unpublished).  
 U.S. Appl. No. 29/594,200, filed Feb. 16, 2017 (unpublished).  
 U.S. Appl. No. 29/594,202, filed Feb. 16, 2017 (unpublished).  
 U.S. Appl. No. 29/597,335, filed Mar. 16, 2017 (unpublished).

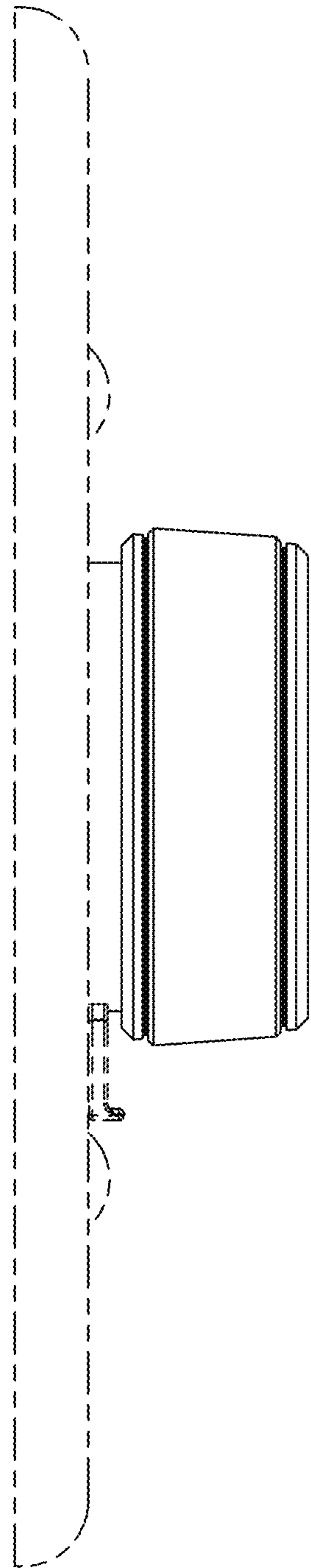
\* cited by examiner



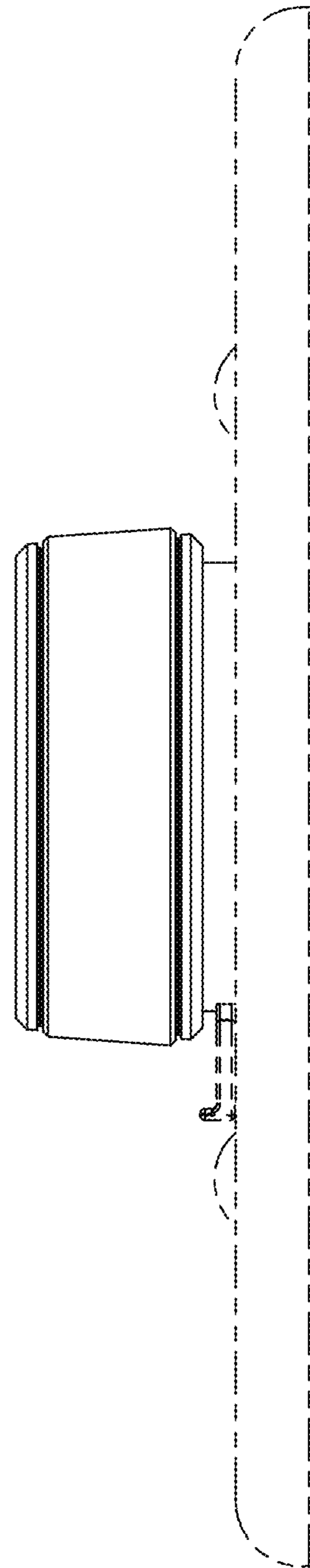
**FIG. 1**



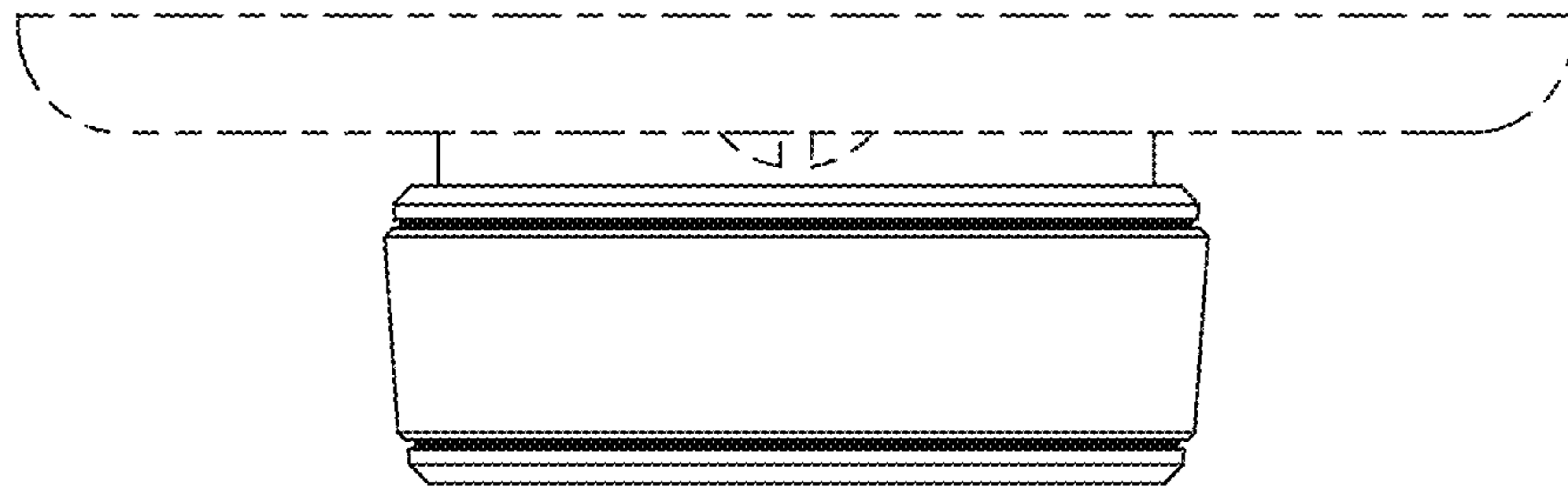
**FIG. 2**



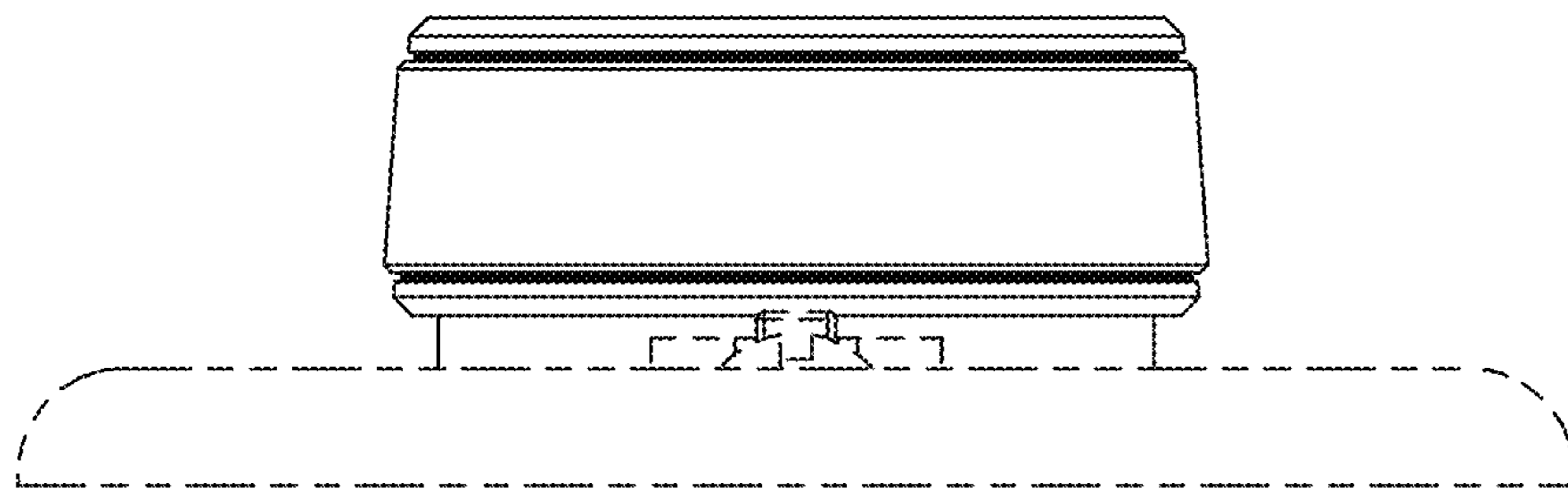
**FIG. 3**



**FIG. 4**



**FIG. 5**



**FIG. 6**

UNITED STATES PATENT AND TRADEMARK OFFICE  
**CERTIFICATE OF CORRECTION**

PATENT NO. : D814,428 S  
APPLICATION NO. : 29/569814  
DATED : April 3, 2018  
INVENTOR(S) : Chris Dimberg et al.

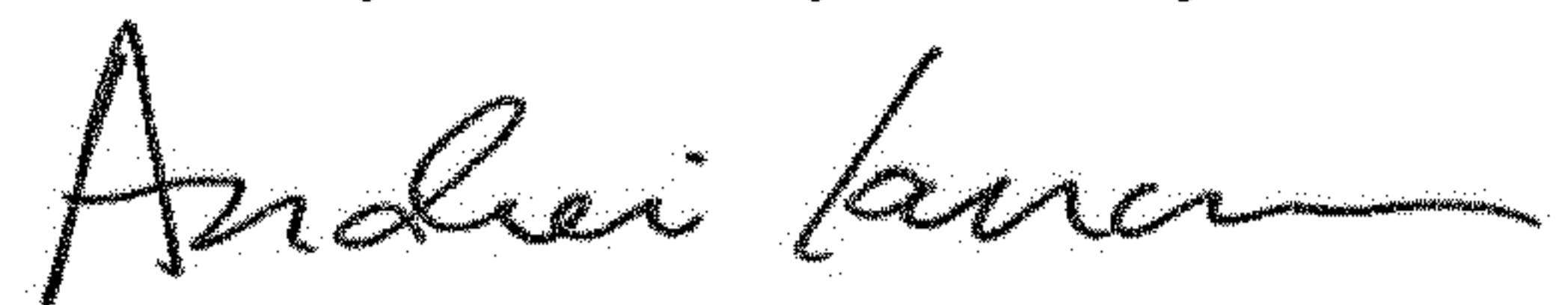
Page 1 of 1

It is certified that error appears in the above-identified patent and that said Letters Patent is hereby corrected as shown below:

On the Title Page

(73) Assignee, should read:  
Lutron Electronics Co., Inc.

Signed and Sealed this  
Twenty-first Day of May, 2019



Andrei Iancu  
*Director of the United States Patent and Trademark Office*