

US00D814427S

(12) **United States Design Patent**
Ozawa et al.

(10) **Patent No.:** **US D814,427 S**
(45) **Date of Patent:** **** Apr. 3, 2018**

- (54) **PIEZOELECTRIC ELEMENT**
- (71) Applicant: **TDK CORPORATION**, Tokyo (JP)
- (72) Inventors: **Satoshi Ozawa**, Tokyo (JP); **Kohsuke Shimazaki**, Tokyo (JP); **Haruo Taguchi**, Tokyo (JP); **Akihiro Takeda**, Tokyo (JP)
- (73) Assignee: **TDK CORPORATION**, Tokyo (JP)
- (**) Term: **15 Years**

9,698,333	B2 *	7/2017	Ozawa	H01L 41/0533
2010/0258086	A1 *	10/2010	Kiefer	H01L 41/0533
					123/472
2011/0266922	A1 *	11/2011	Uetani	H01L 41/0533
					310/328
2013/0233278	A1 *	9/2013	Sato	H01L 41/0472
					123/456
2013/0285511	A1 *	10/2013	Kreiter	H01L 41/053
					310/340
2014/0167568	A1 *	6/2014	Ozawa	H01L 41/0475
					310/364

(Continued)

- (21) Appl. No.: **29/583,101**
- (22) Filed: **Nov. 2, 2016**
- (30) **Foreign Application Priority Data**
May 2, 2016 (JP) 2016-009589
- (51) **LOC (11) Cl.** **13-03**
- (52) **U.S. Cl.**
USPC **D13/173**
- (58) **Field of Classification Search**
USPC D13/158, 173, 199
CPC H02N 2/04
See application file for complete search history.

FOREIGN PATENT DOCUMENTS

JP	1357635	S	4/2009
JP	1362946	S	6/2009
JP	1362948	S	6/2009

Primary Examiner — Selina Sikder
(74) *Attorney, Agent, or Firm* — Oliff PLC

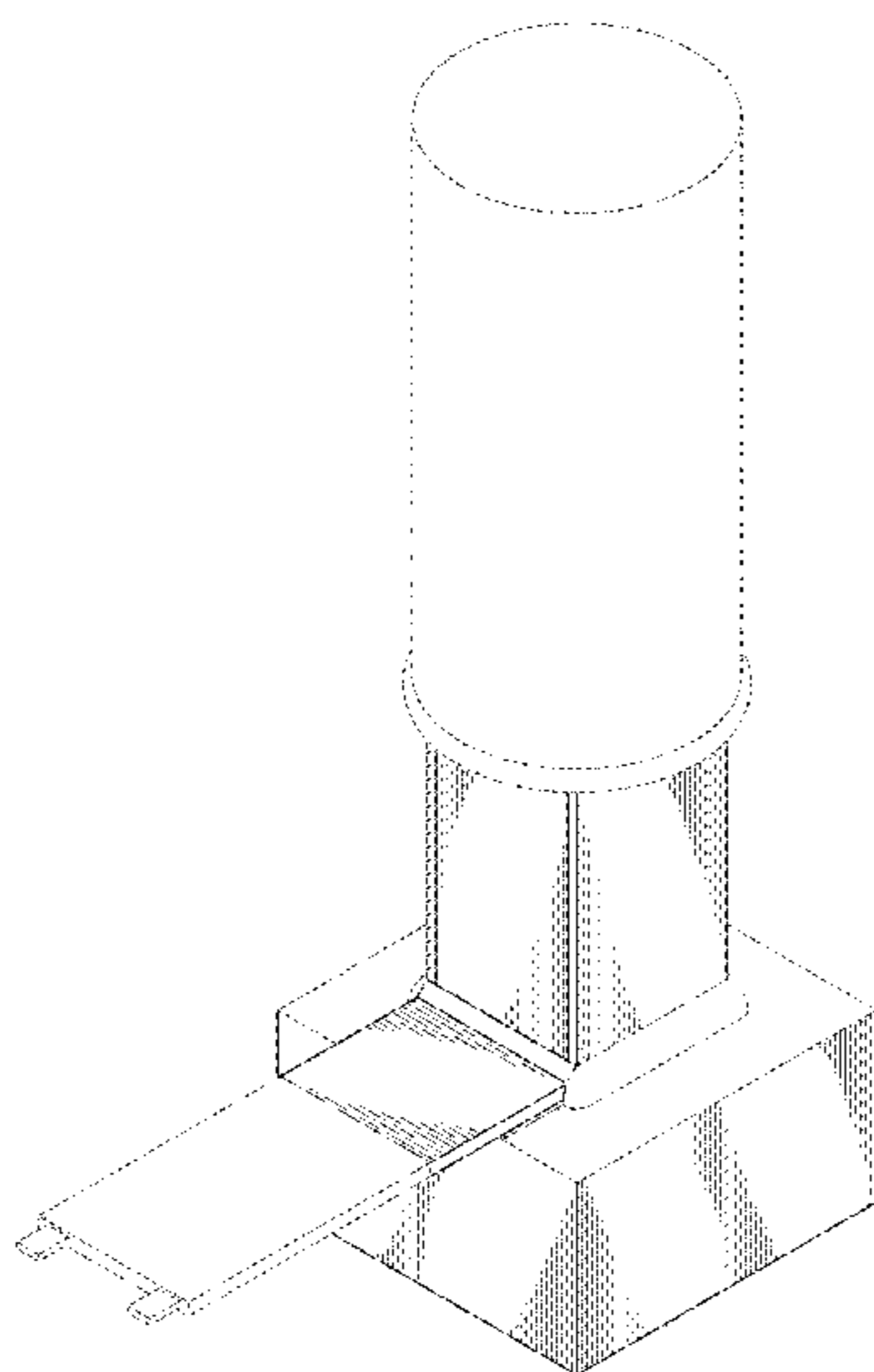
- (56) **References Cited**
U.S. PATENT DOCUMENTS
5,208,506 A * 5/1993 Yamashita H01L 41/053
310/328
5,250,868 A * 10/1993 Shirasu H01L 41/0533
310/328
D346,364 S * 4/1994 Inoi D13/174
D348,433 S * 7/1994 Tochiyama D13/158
D475,023 S * 5/2003 Maushard D13/158
7,531,944 B2 * 5/2009 Oakley F02M 63/0026
310/328
8,201,753 B2 * 6/2012 Heinz H01L 41/053
239/102.1
9,153,766 B2 * 10/2015 Nakamura F02M 51/0603

(57) **CLAIM**
The ornamental design for a piezoelectric element, as shown and described.

DESCRIPTION

FIG. 1 is a front view of a piezoelectric element of the present invention.
FIG. 2 is a rear view thereof.
FIG. 3 is a top plan view thereof.
FIG. 4 is a bottom view thereof.
FIG. 5 is a right side view thereof.
FIG. 6 is a left side view thereof.
FIG. 7 is a front perspective view thereof; and,
FIG. 8 is a rear perspective view thereof.
The broken lines depict unclaimed portions of the piezoelectric element, and thus form no part of the claimed design. The dot-dash chain lines depict boundaries of the claimed subject matter, and thus form no part of the claimed design.

1 Claim, 8 Drawing Sheets



(56)

References Cited

U.S. PATENT DOCUMENTS

2015/0179920 A1* 6/2015 Makisako H01L 41/053
137/487.5
2017/0222119 A1* 8/2017 Ozawa H01L 41/0471

* cited by examiner

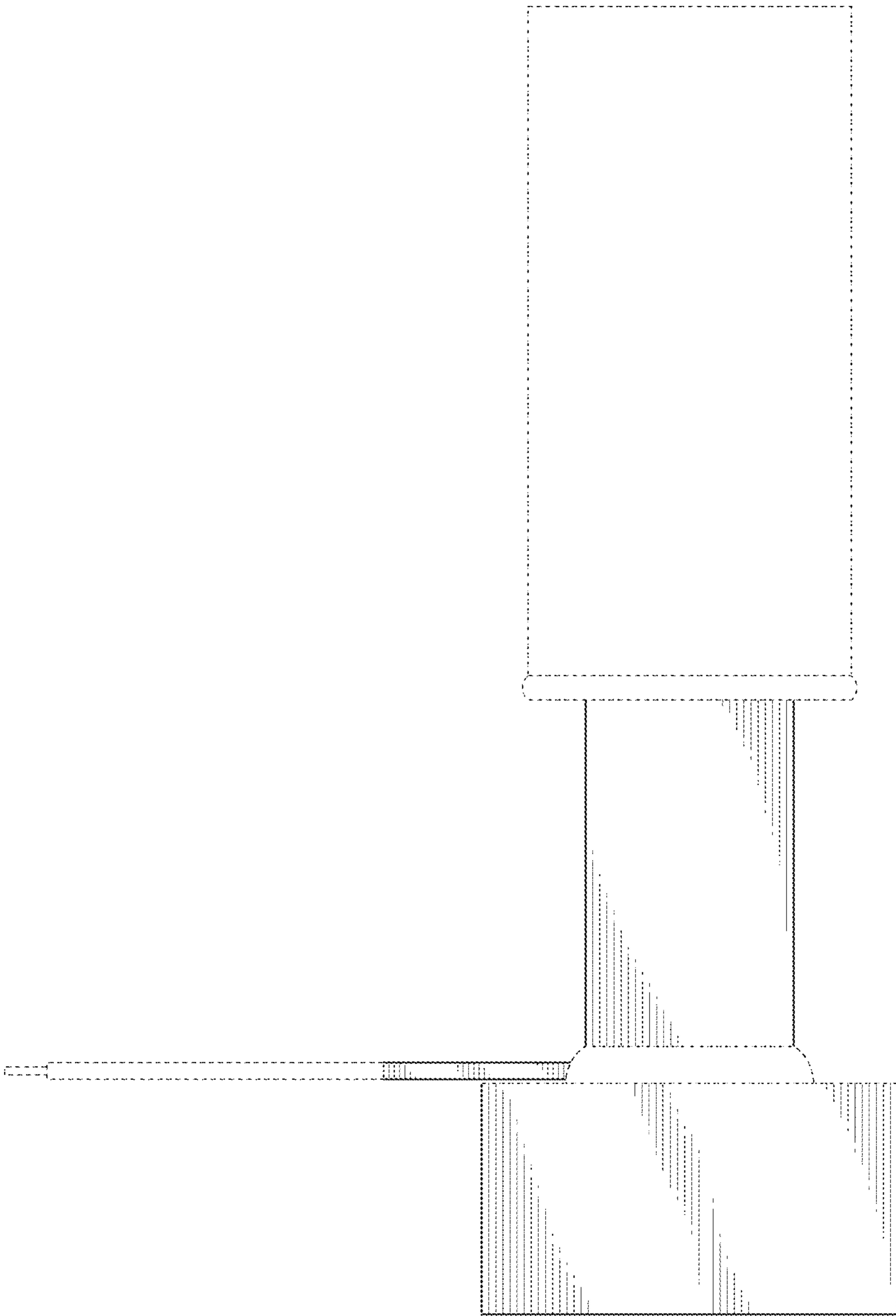


FIG. 1

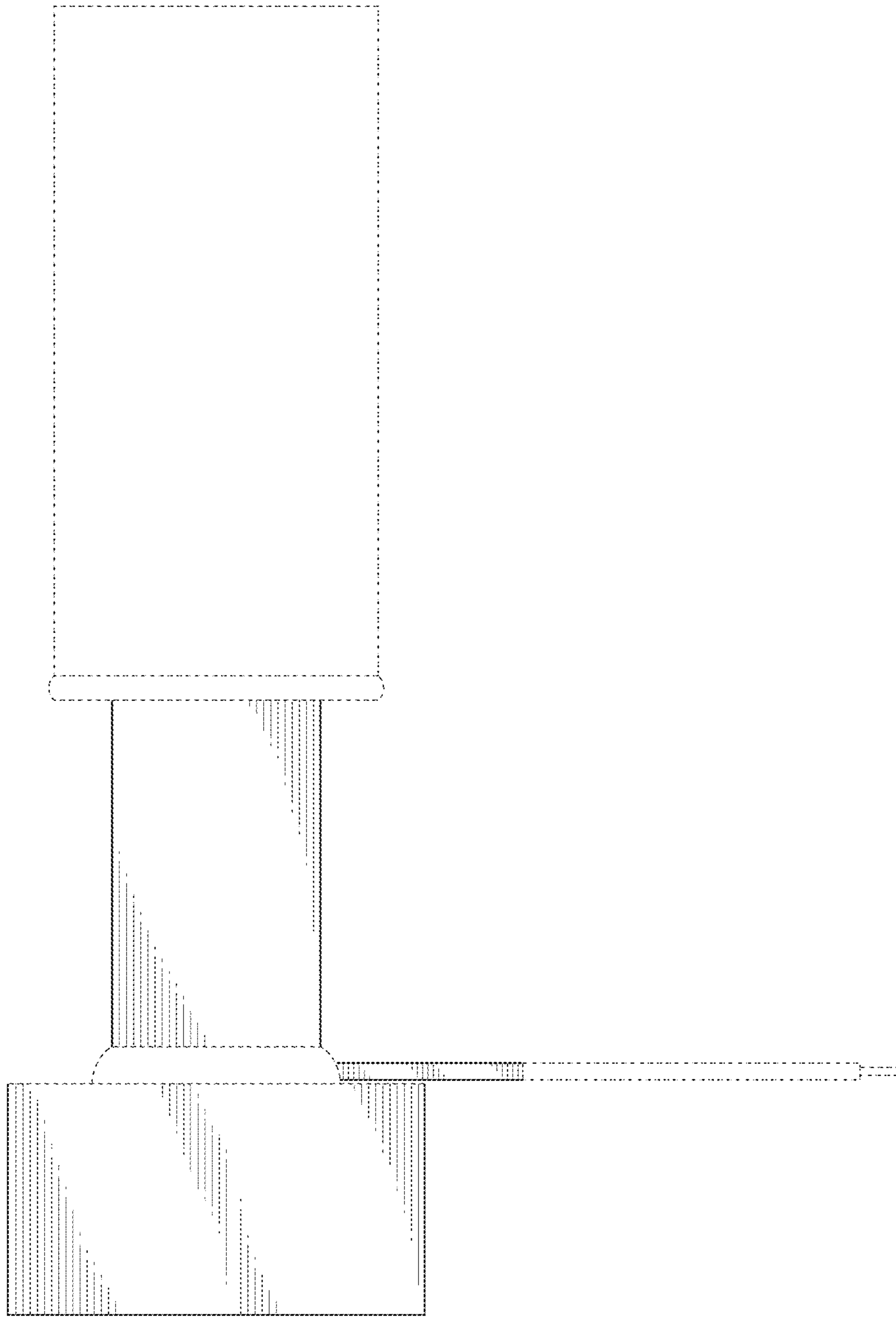


FIG. 2

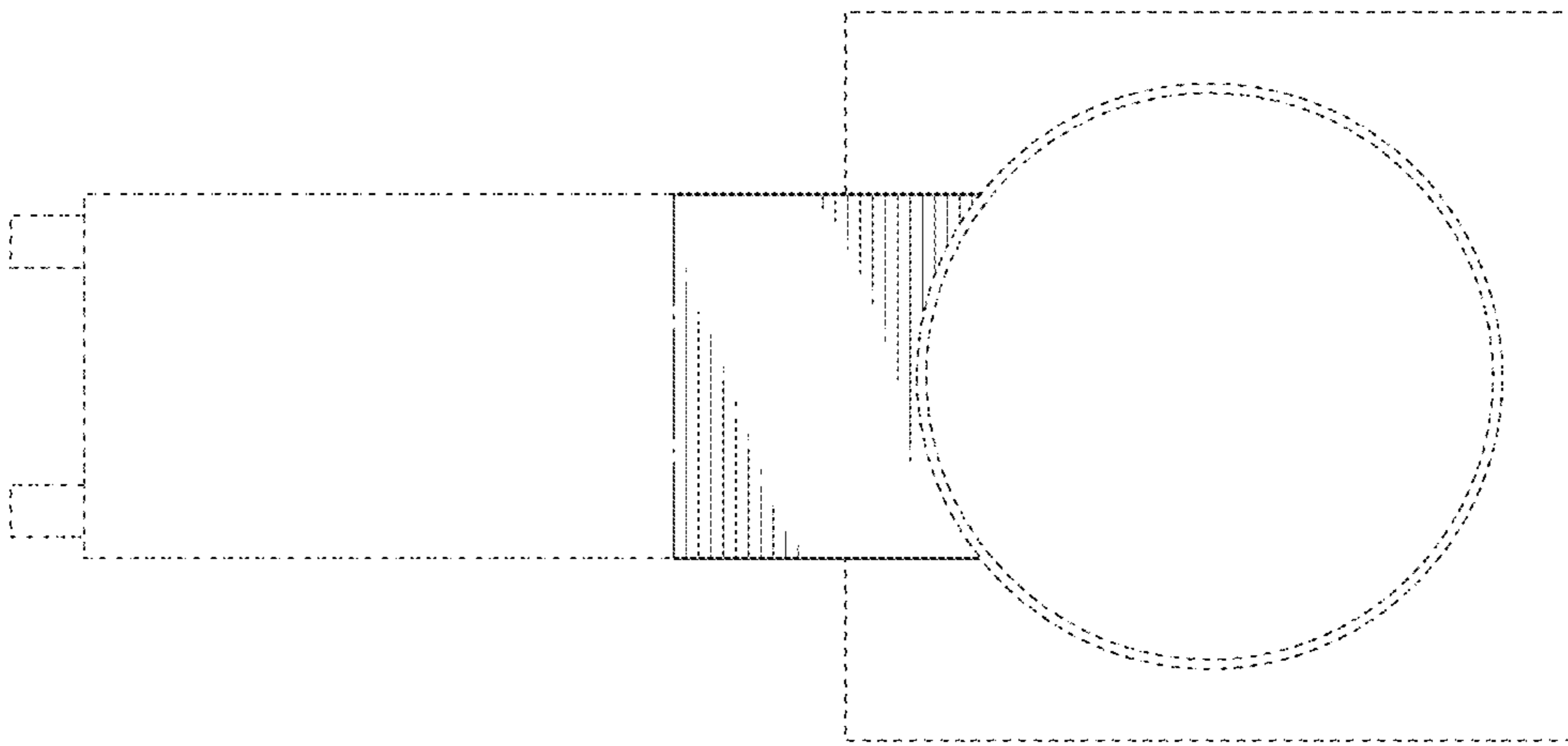


FIG. 3

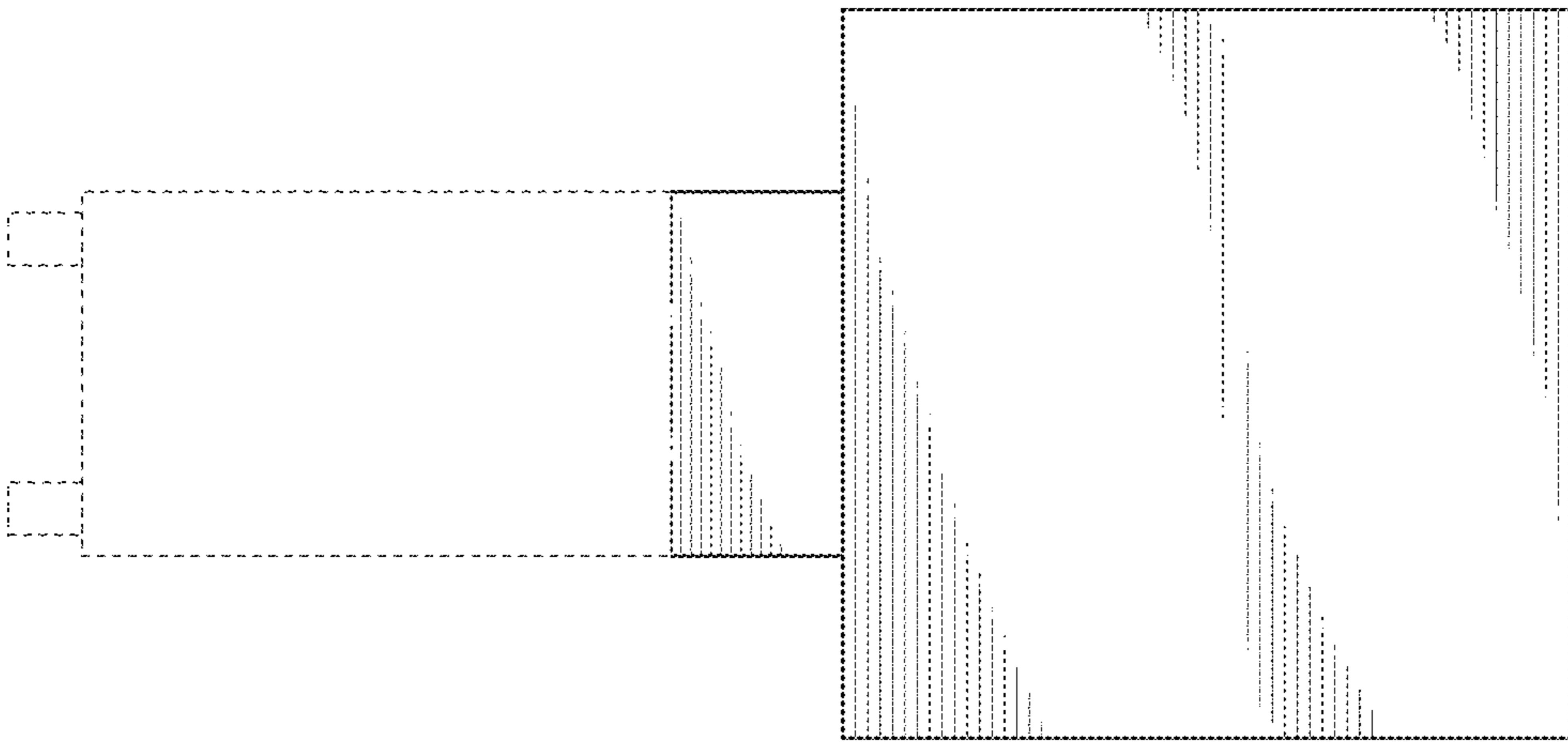


FIG. 4

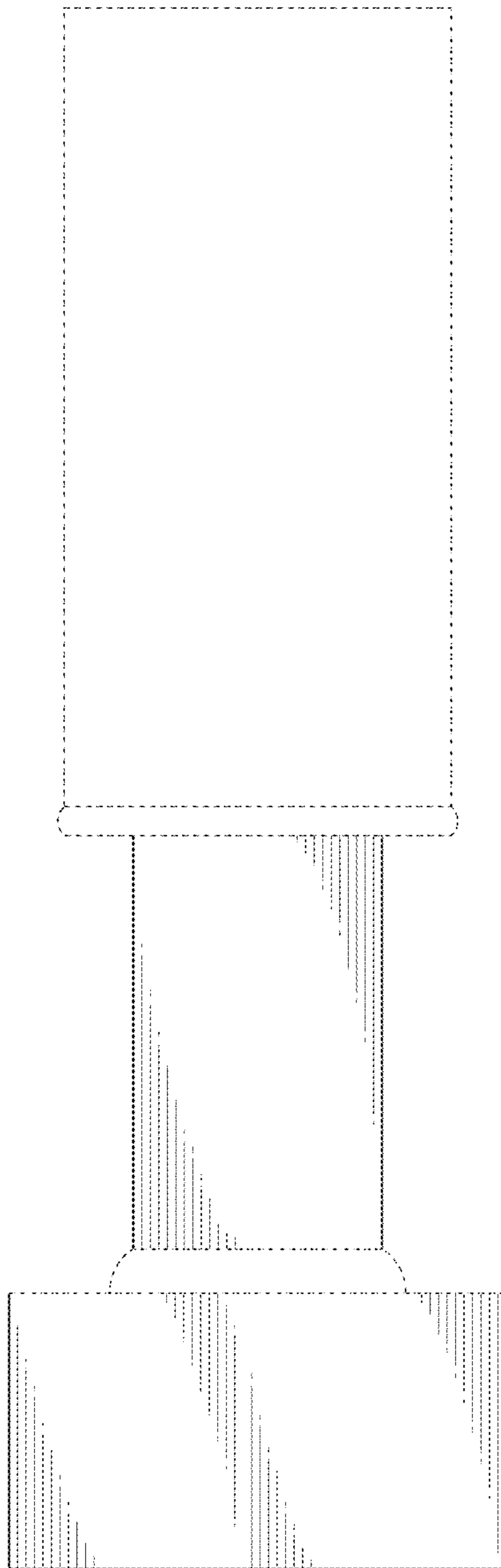


FIG. 5

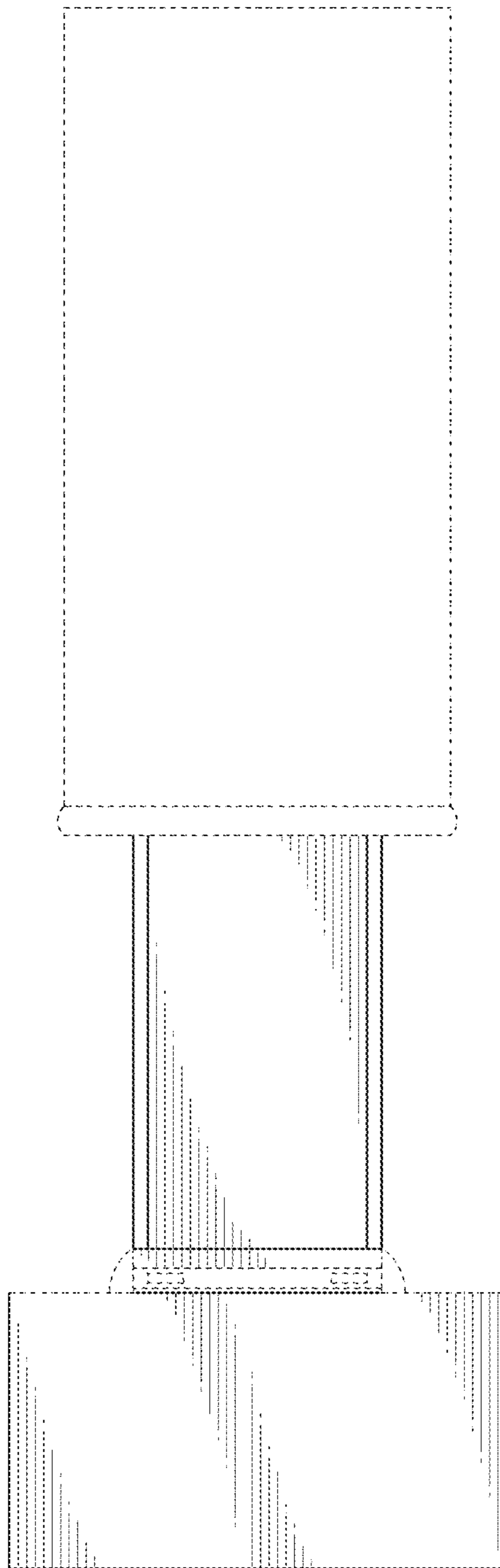


FIG. 6

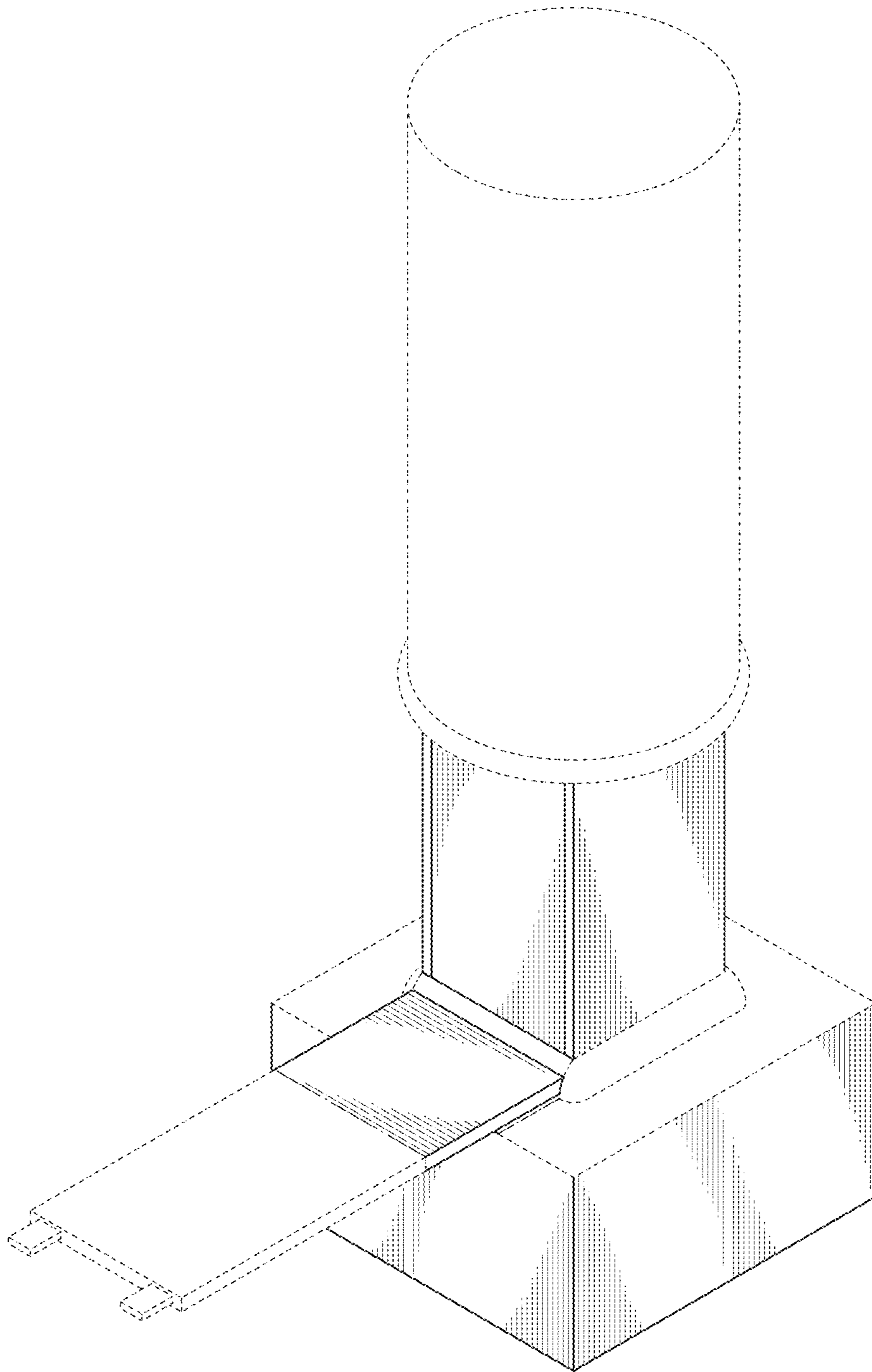


FIG. 7

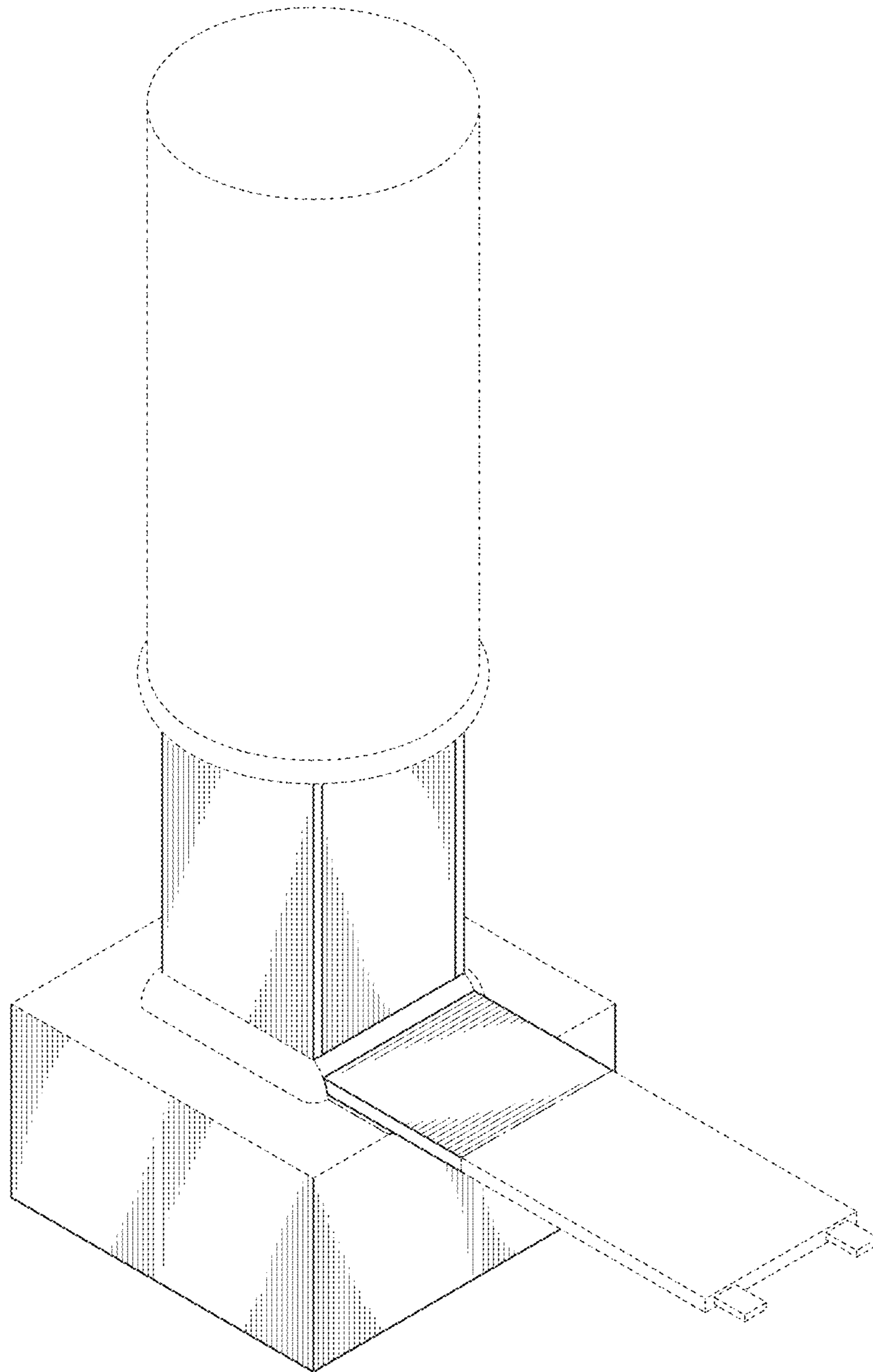


FIG. 8