



US00D814426S

(12) **United States Design Patent**
Dalton

(10) **Patent No.:** **US D814,426 S**

(45) **Date of Patent:** **** Apr. 3, 2018**

- (54) **FAN CONTROLLER**
- (71) Applicant: **DELTA T CORPORATION**,
Lexington, KY (US)
- (72) Inventor: **Daniel Dalton**, Lexington, KY (US)
- (73) Assignee: **DELTA T, LLC**, Lexington, KY (US)
- (**) Term: **15 Years**
- (21) Appl. No.: **29/597,983**
- (22) Filed: **Mar. 22, 2017**
- (51) **LOC (11) Cl.** **14-03**
- (52) **U.S. Cl.**
USPC **D13/168**
- (58) **Field of Classification Search**
USPC D13/168; D14/218
CPC H03J 1/0025; H01H 9/0235; H04B 1/202;
G08C 17/00; G08C 17/02; G08C 19/28;
G08C 23/04
See application file for complete search history.

- 6,015,274 A * 1/2000 Bias F04D 25/088
417/423.1
- D496,633 S * 9/2004 Krause D13/168
- D526,967 S * 8/2006 Hoehn D13/168
- D572,205 S * 7/2008 Landerholm D13/168
- D602,878 S * 10/2009 Coleman D13/168
- D607,847 S * 1/2010 Elliott D13/168
- 7,880,663 B2 * 2/2011 Chiu B60Q 1/245
318/16

* cited by examiner

Primary Examiner — Selina Sikder

(74) *Attorney, Agent, or Firm* — King & Schickli, PLLC

(57) **CLAIM**

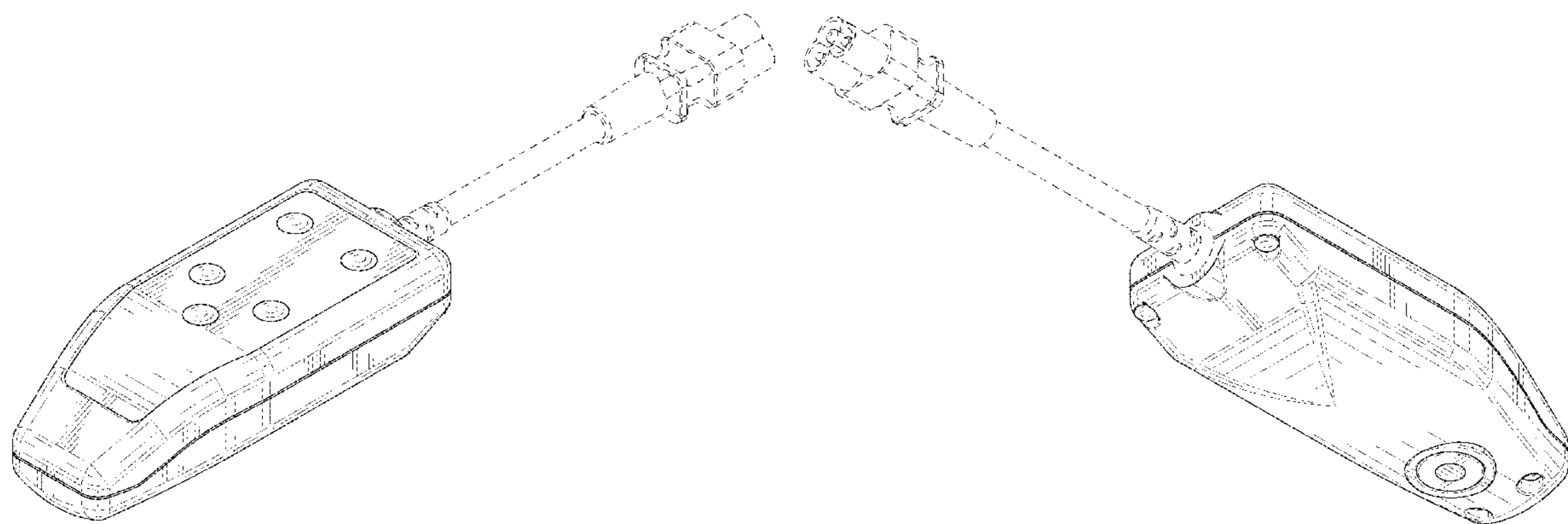
The ornamental design for a fan controller, as shown and described.

DESCRIPTION

FIG. 1 is a top view of the fan controller;
 FIG. 2 is a bottom perspective view;
 FIG. 3 is a rear view of the fan controller;
 FIG. 4 is a right side view;
 FIG. 5 is a front view of the fan controller;
 FIG. 6 is a left side view;
 FIG. 7 is a top view; and,
 FIG. 8 is a bottom view.
 The broken line depictions form no part of the claimed designs.

1 Claim, 4 Drawing Sheets

- (56) **References Cited**
U.S. PATENT DOCUMENTS
D352,931 S * 11/1994 Tsuji D13/168
5,689,261 A * 11/1997 Mehta G08C 17/02
340/12.5
D391,229 S * 2/1998 Thomas D13/168
D415,735 S * 10/1999 Zuege D13/168



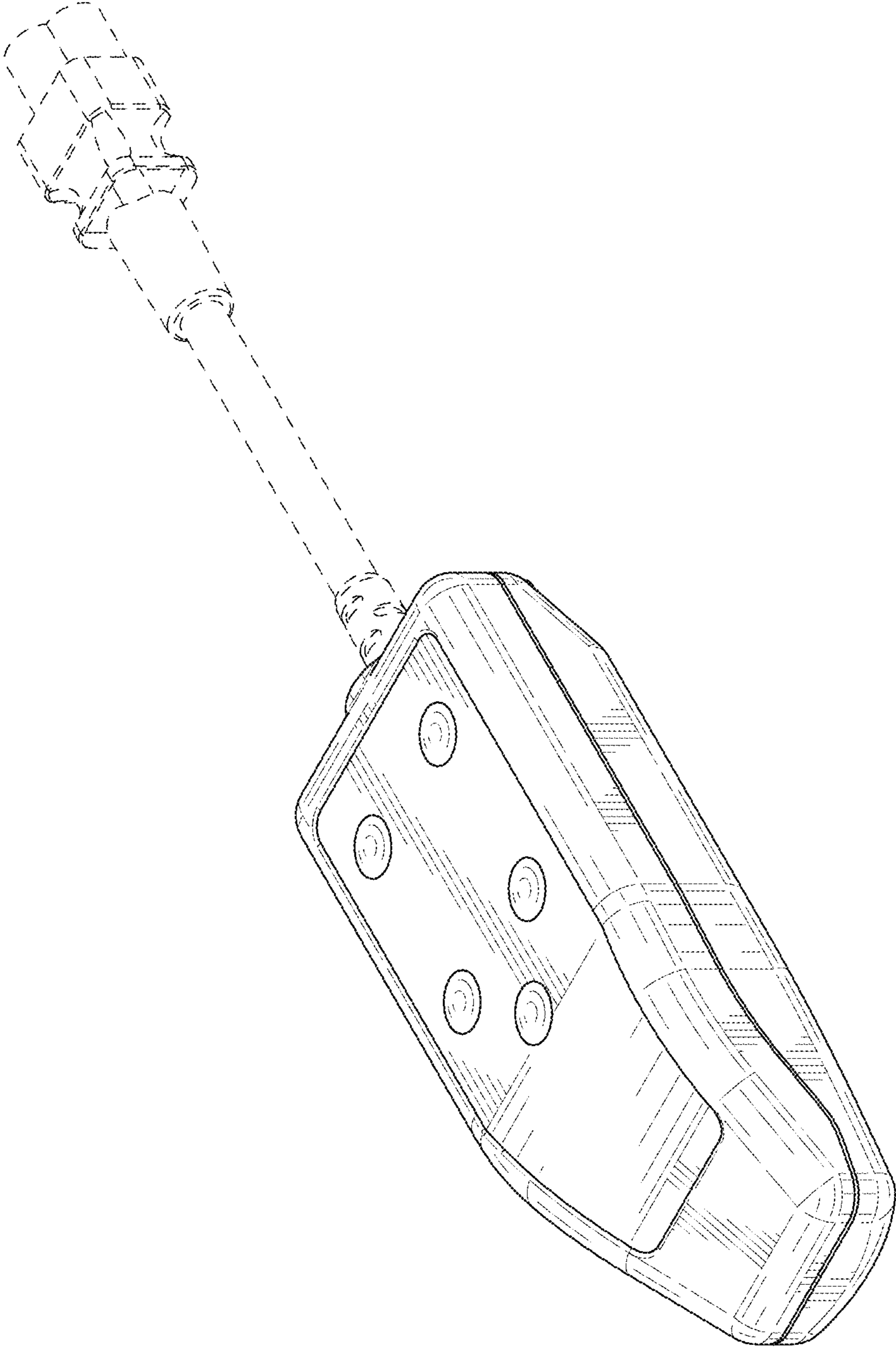


FIG. 1

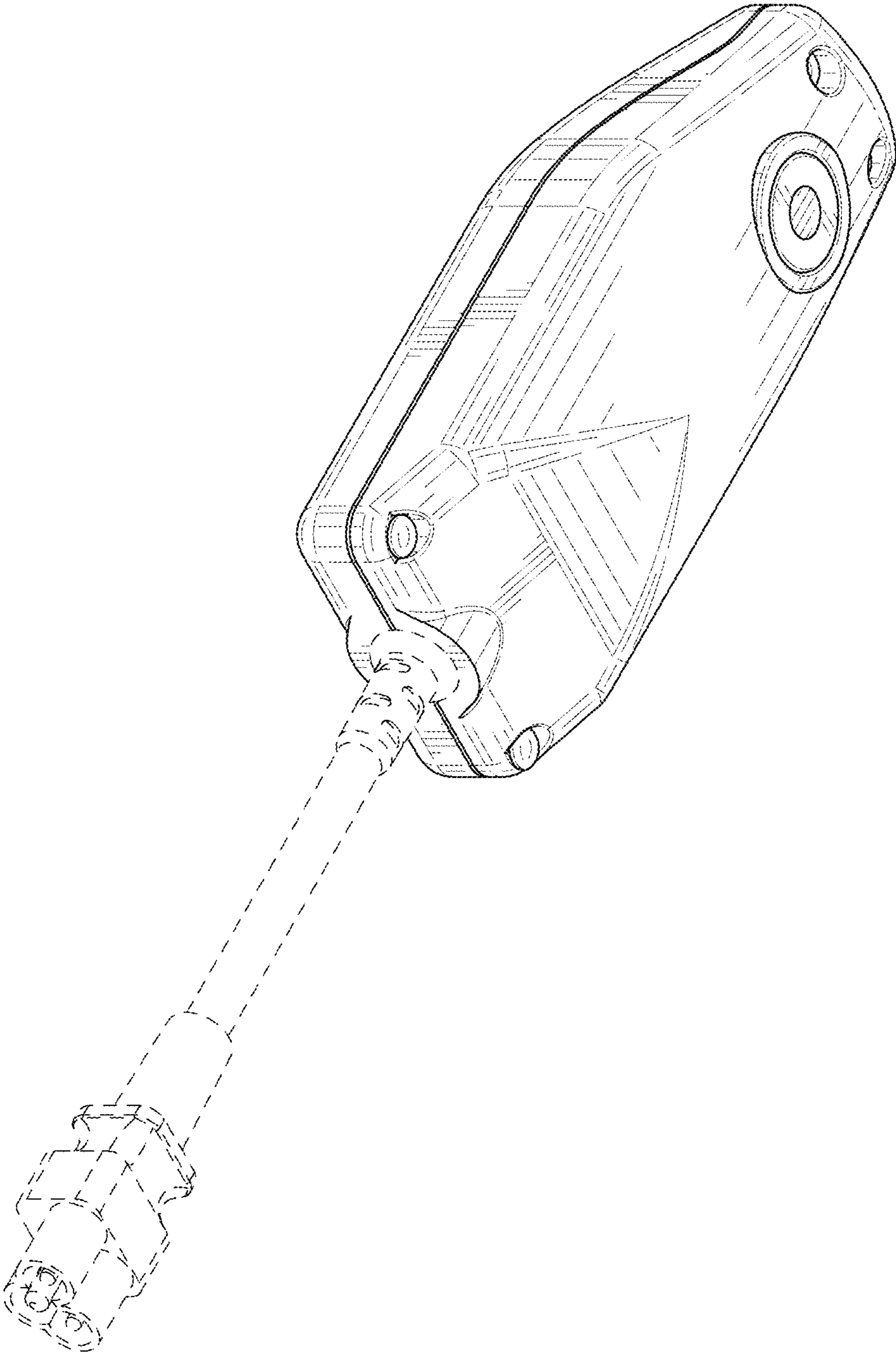


FIG. 2

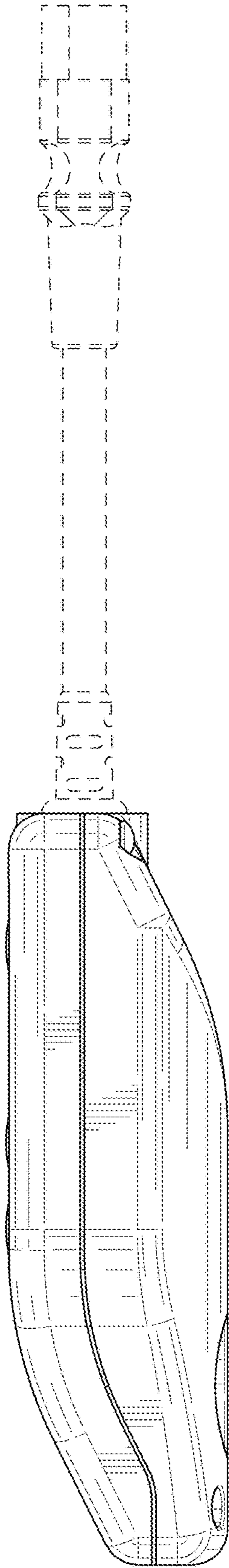


FIG. 4

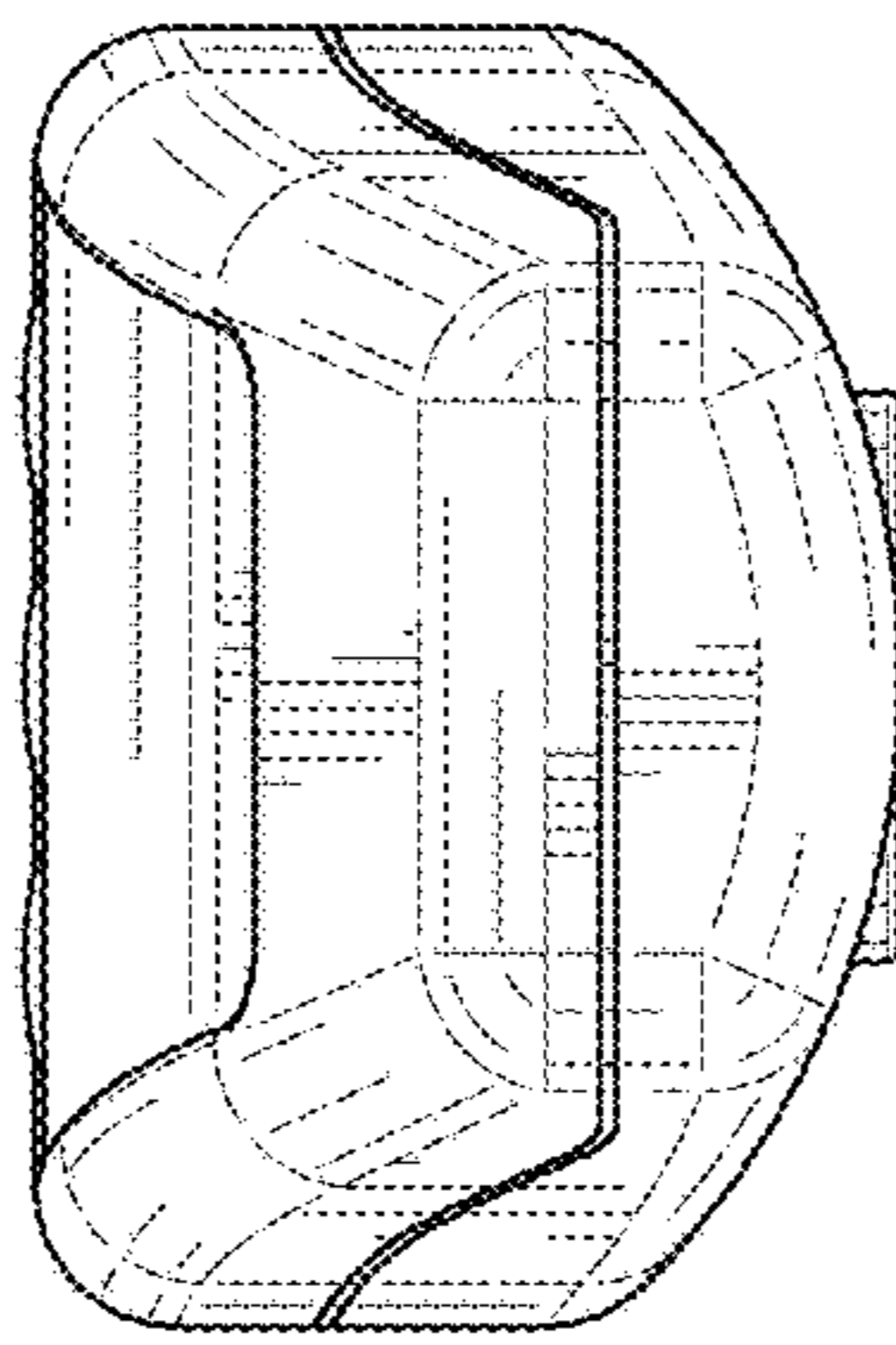


FIG. 3

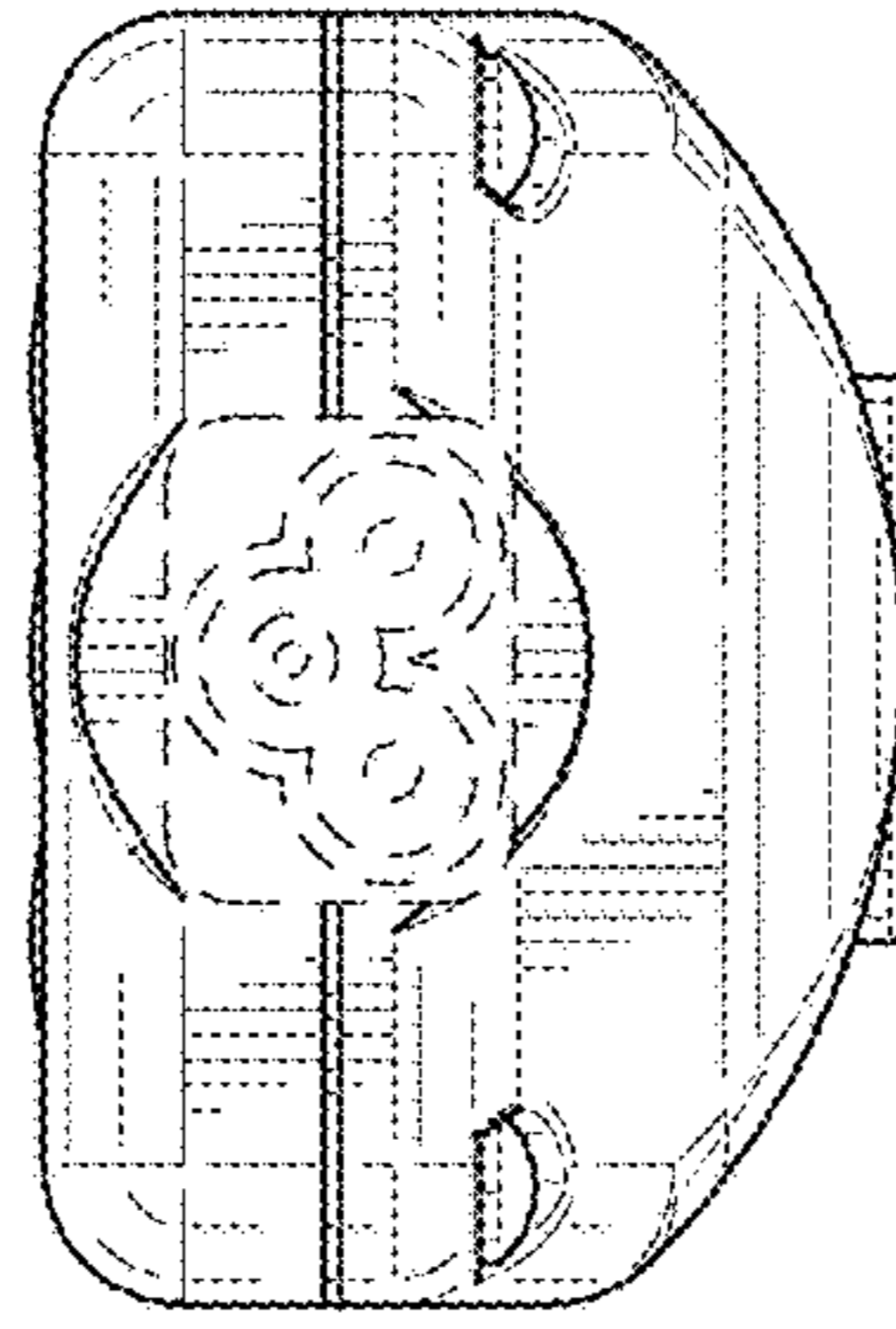


FIG. 5

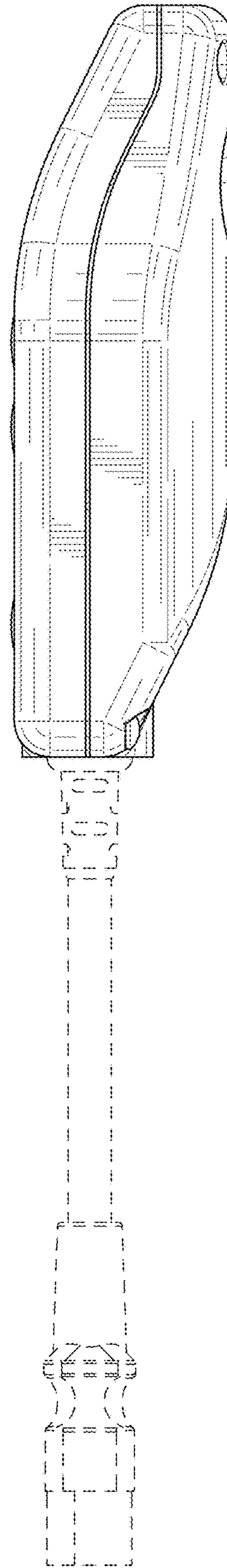


FIG. 6

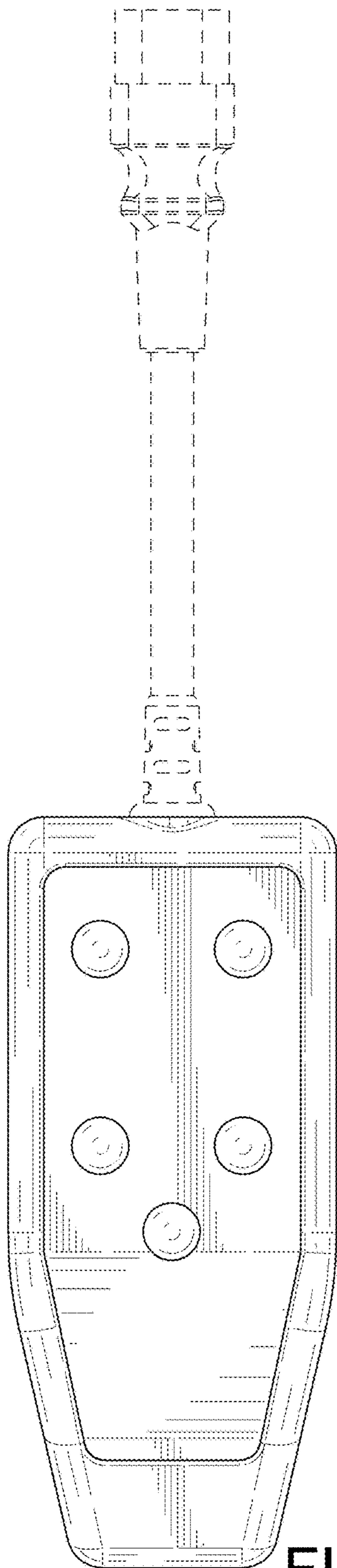


FIG. 7

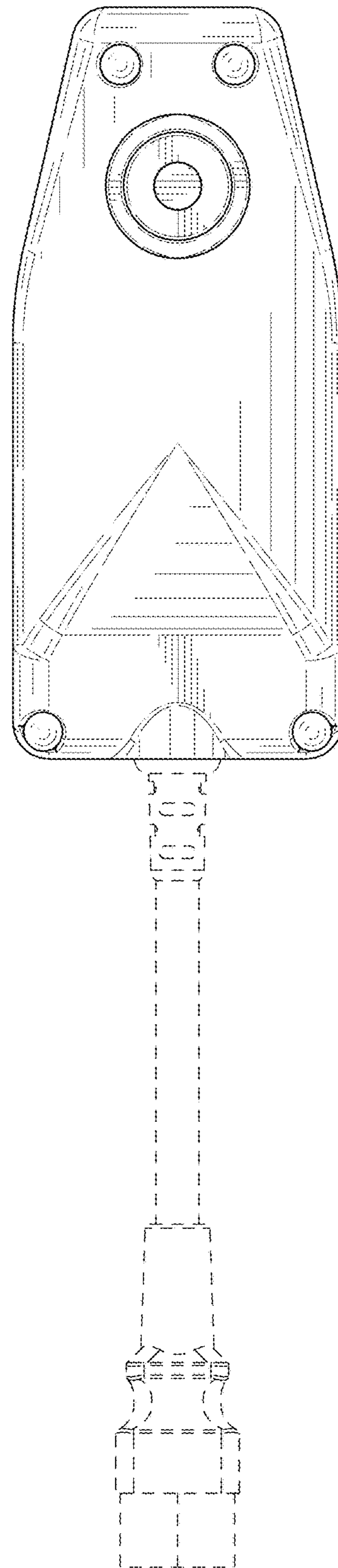


FIG. 8