



US00D814424S

(12) **United States Design Patent**
DeCosta

(10) **Patent No.:** **US D814,424 S**

(45) **Date of Patent:** **** Apr. 3, 2018**

(54) **DUPLEX RECEPTACLE HOUSING**

(71) Applicant: **Thomas DeCosta**, Westport, MA (US)

(72) Inventor: **Thomas DeCosta**, Westport, MA (US)

(**) Term: **15 Years**

(21) Appl. No.: **29/620,382**

(22) Filed: **Nov. 10, 2016**

(51) **LOC (11) Cl.** **13-03**

(52) **U.S. Cl.**
USPC **D13/152**

(58) **Field of Classification Search**
USPC D13/108–110, 133, 137.1–137.4,
D13/138.1–138.2, 139.1–139.8, 152–154,
D13/156, 173, 177, 151, 146, 147;
D14/433, 435.1, 432; D8/350–353, 331
CPC H01R 25/00; H01R 25/006; H01R 25/003;
H01R 9/00; H01R 11/00; H01R 3/00;
H02J 2007/0062; H05K 5/02; H05K 5/00;
H05K 5/0008; H05K 5/0073; H05K
5/0204

See application file for complete search history.

(56) **References Cited**

U.S. PATENT DOCUMENTS

D269,429 S * 6/1983 Doyle D13/152
D430,539 S * 9/2000 Leopold D13/139.3
D529,787 S * 10/2006 Swiencicki D8/350
D531,128 S * 10/2006 Elberson D13/152
D601,096 S * 9/2009 Vigorito D13/152
D627,305 S * 11/2010 Gretz D13/155
8,067,703 B1 * 11/2011 Gretz H02G 3/12
174/53
D678,840 S * 3/2013 DeCosta D13/137.1

D701,842 S * 4/2014 DeCosta D13/177
D719,096 S * 12/2014 DeCosta D13/137.2
D736,715 S * 8/2015 Gretz D13/152
D744,952 S * 12/2015 Ni D13/139.3
D745,850 S * 12/2015 Gretz D13/152
D754,074 S * 4/2016 DeCosta D13/139.3
D763,196 S * 8/2016 DeCosta D13/152
D783,386 S * 4/2017 Collins, IV D8/354
9,705,232 B2 * 7/2017 DeCosta H01R 13/502
2005/0230139 A1 * 10/2005 Ungerman H02G 3/086
174/58

* cited by examiner

Primary Examiner — Rosemary K Tarcaza

Assistant Examiner — Christy Nemeth

(57) **CLAIM**

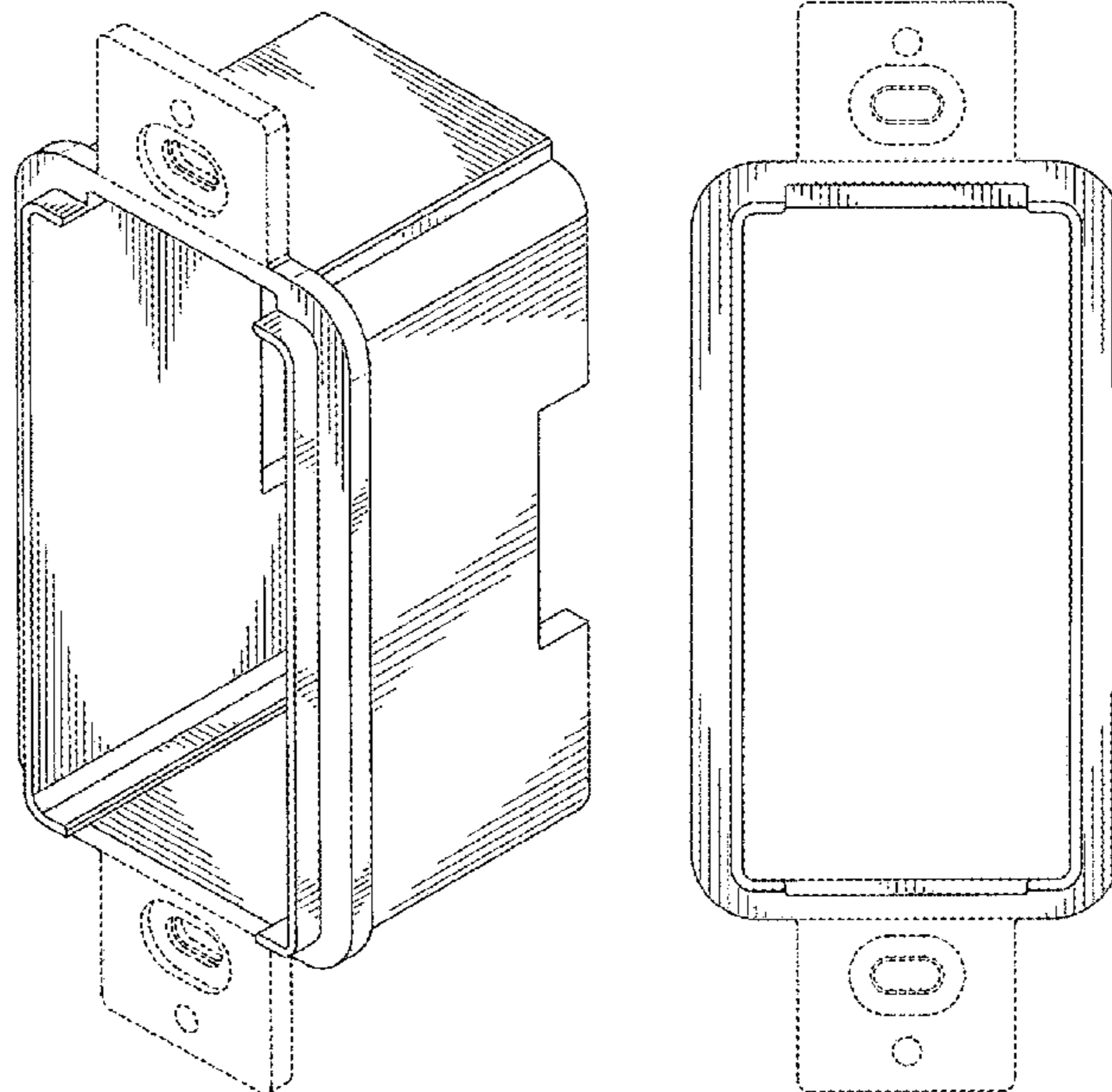
The ornamental design for a duplex receptacle housing, as shown and described.

DESCRIPTION

FIG. 1 is a front perspective view of a duplex receptacle housing, employing my new design; FIG. 2 is a front view of FIG. 1; FIG. 3 is a rear view of FIG. 1; FIG. 4 is a right side view of FIG. 1; FIG. 5 is a left side view of FIG. 1; FIG. 6 is a top end view of FIG. 1; FIG. 7 is a bottom end view of FIG. 1; FIG. 8 is a front perspective view of a duplex receptacle housing in the environment of a receptacle; and, FIG. 9 is a front view of FIG. 8.

The broken lines in the drawings are for the purpose of illustrating environmental subject matter and portions of the duplex receptacle housing that form no part of the claimed design.

1 Claim, 8 Drawing Sheets



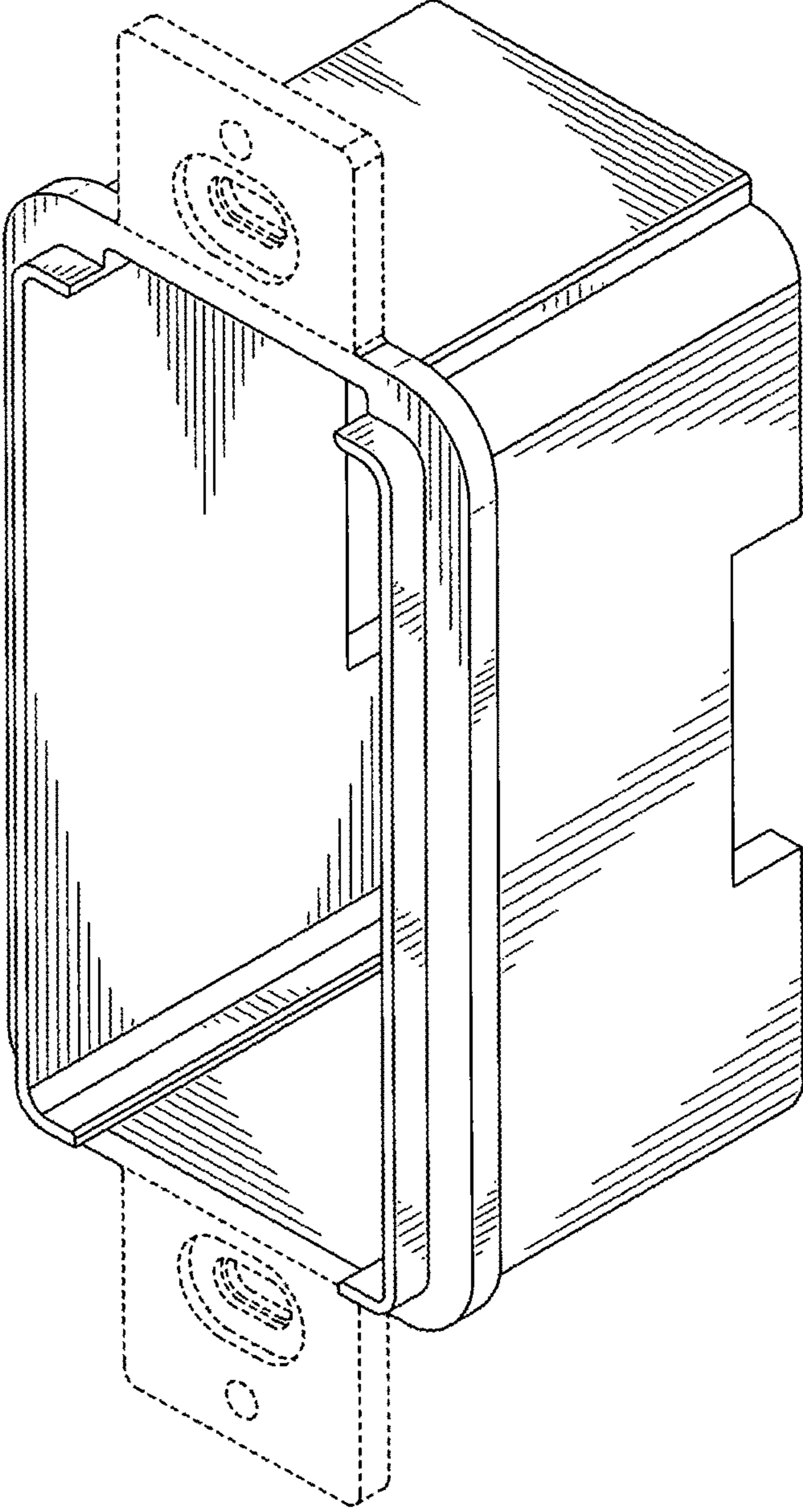


FIG. 1

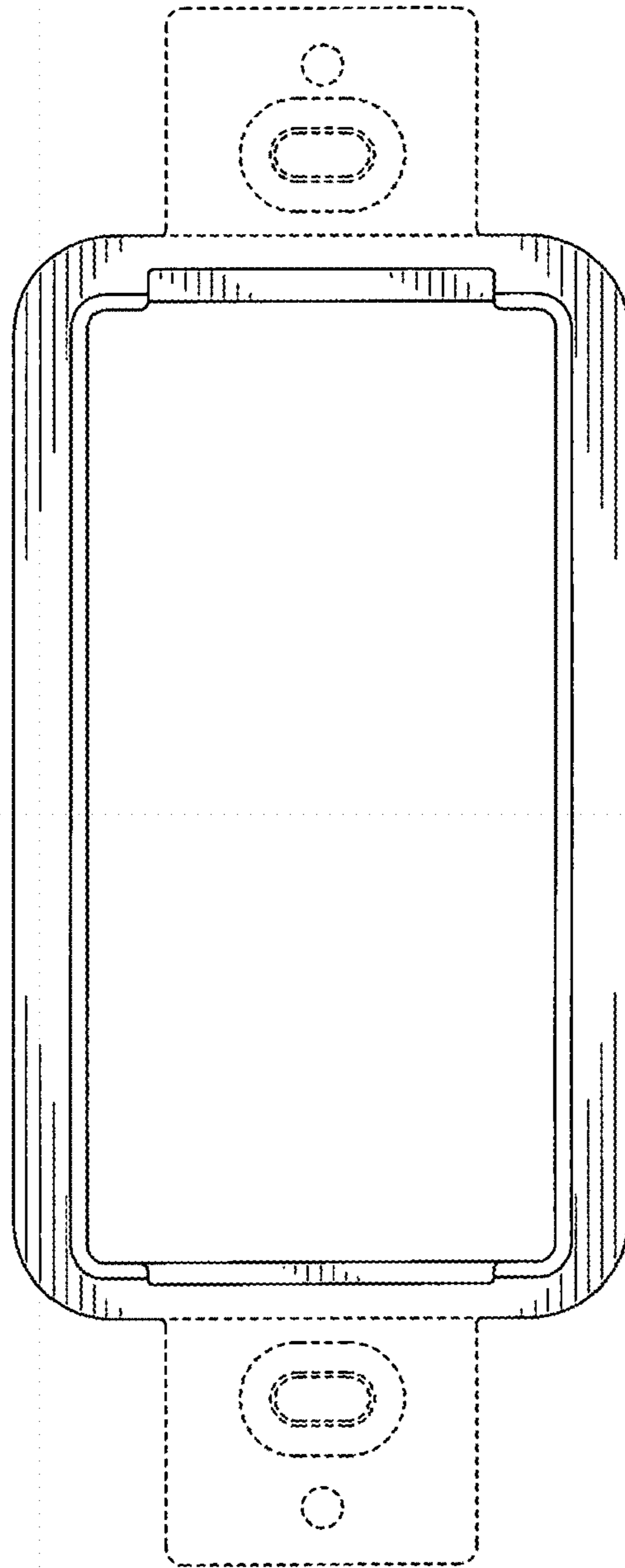


FIG. 2

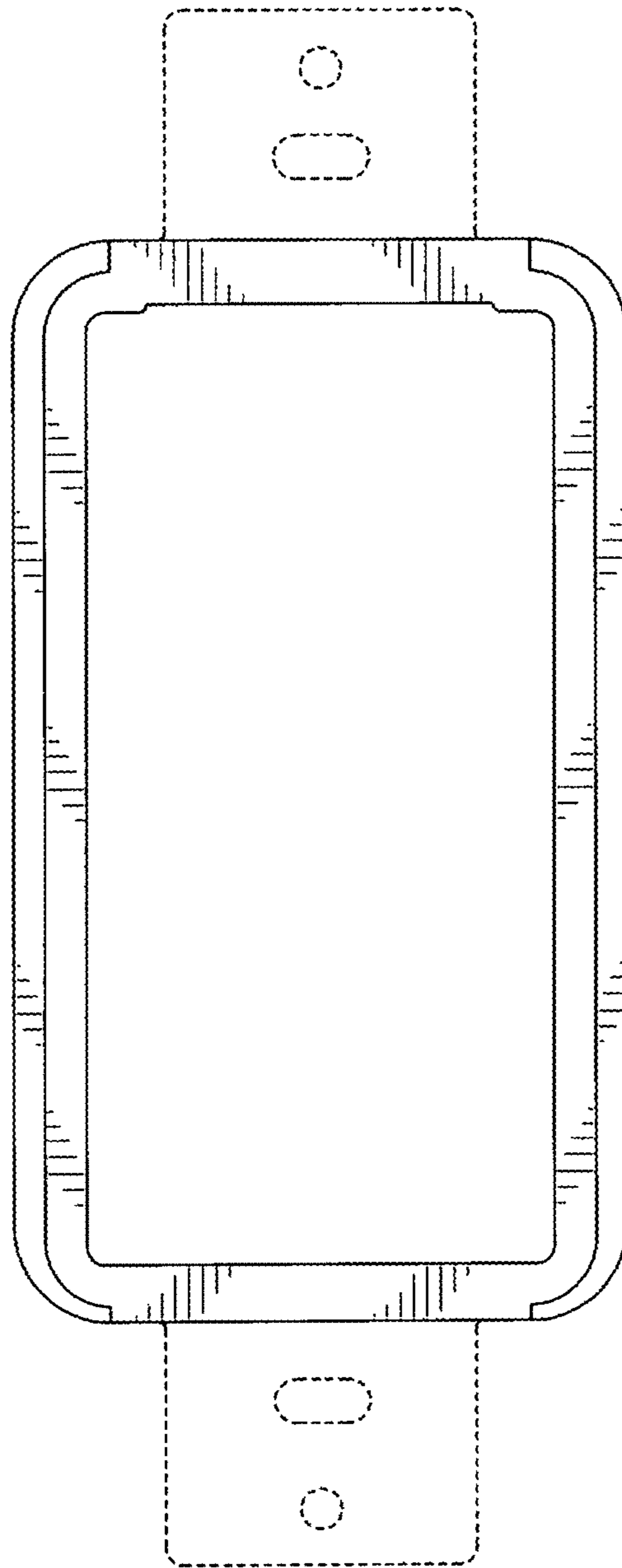


FIG. 3

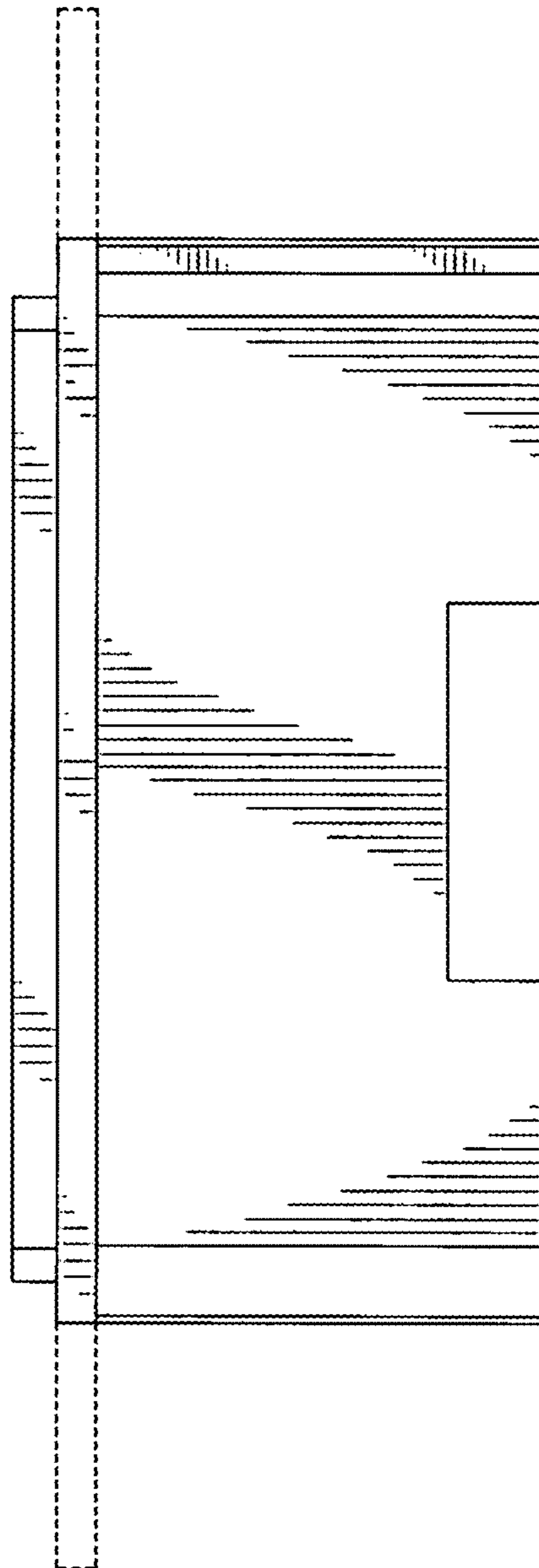


FIG. 4

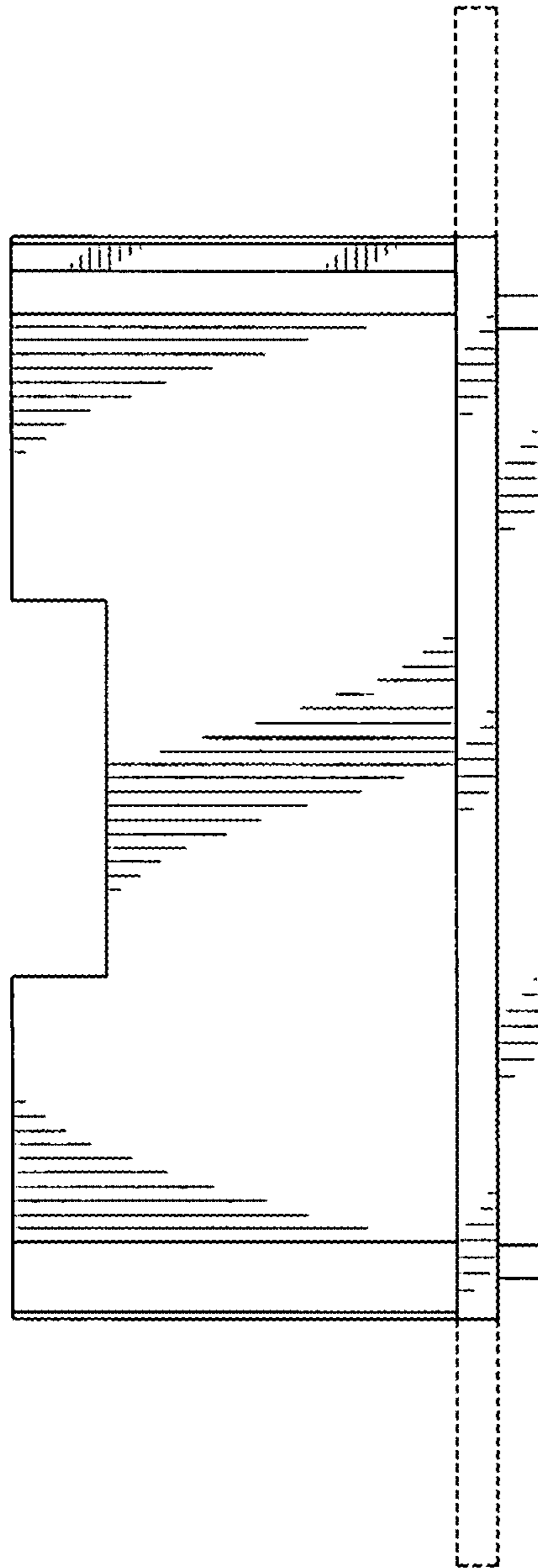


FIG. 5

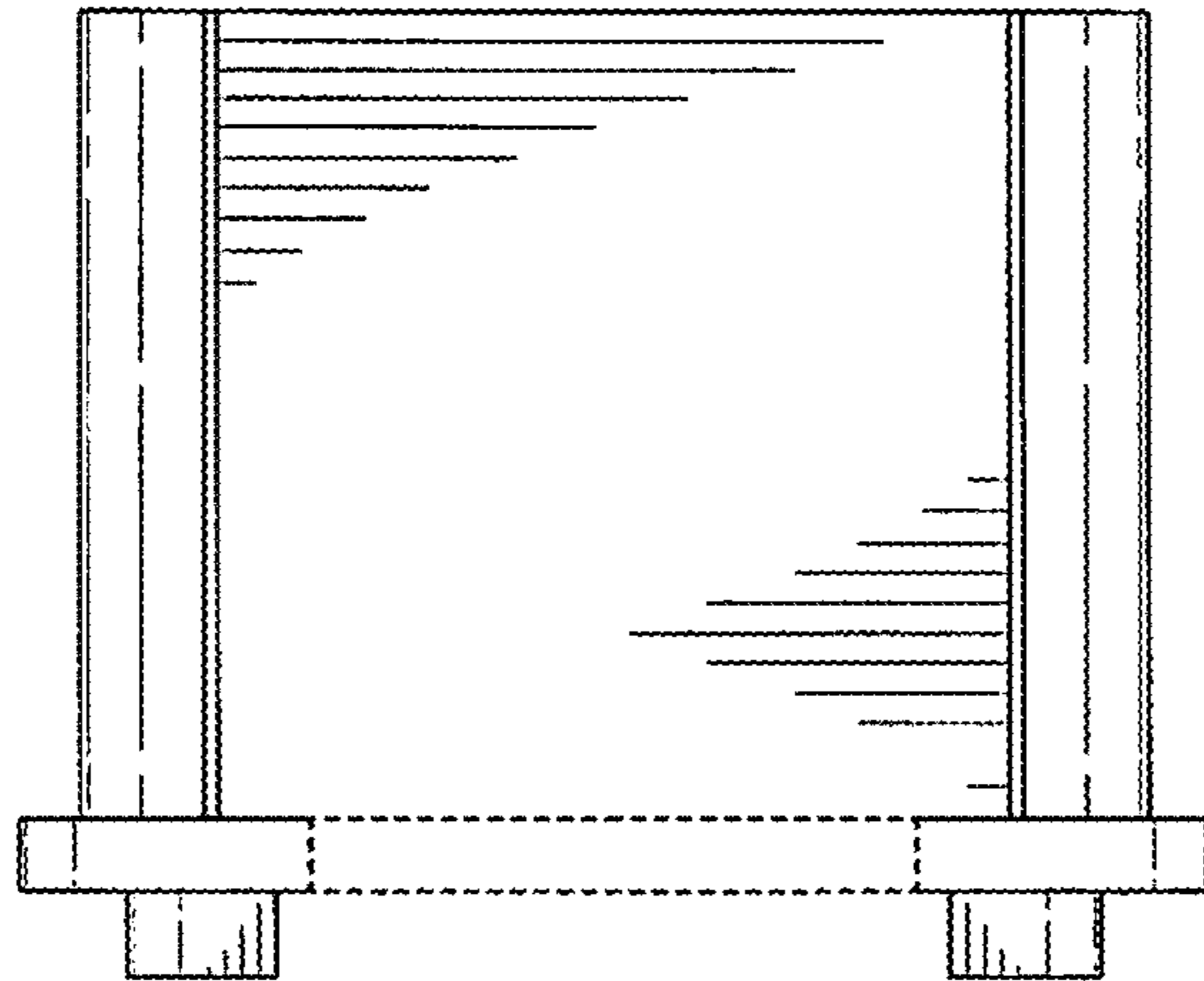


FIG. 6

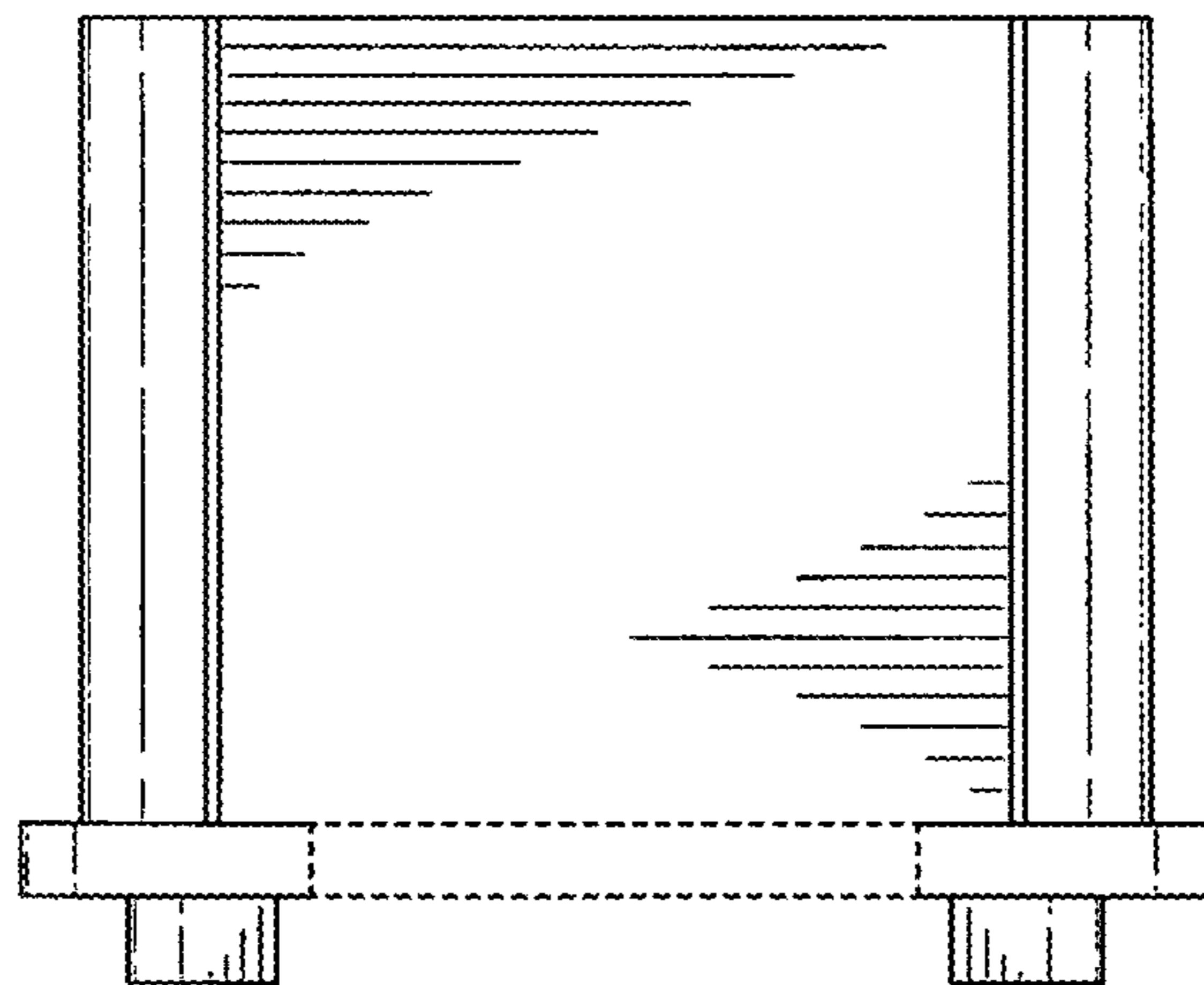


FIG. 7

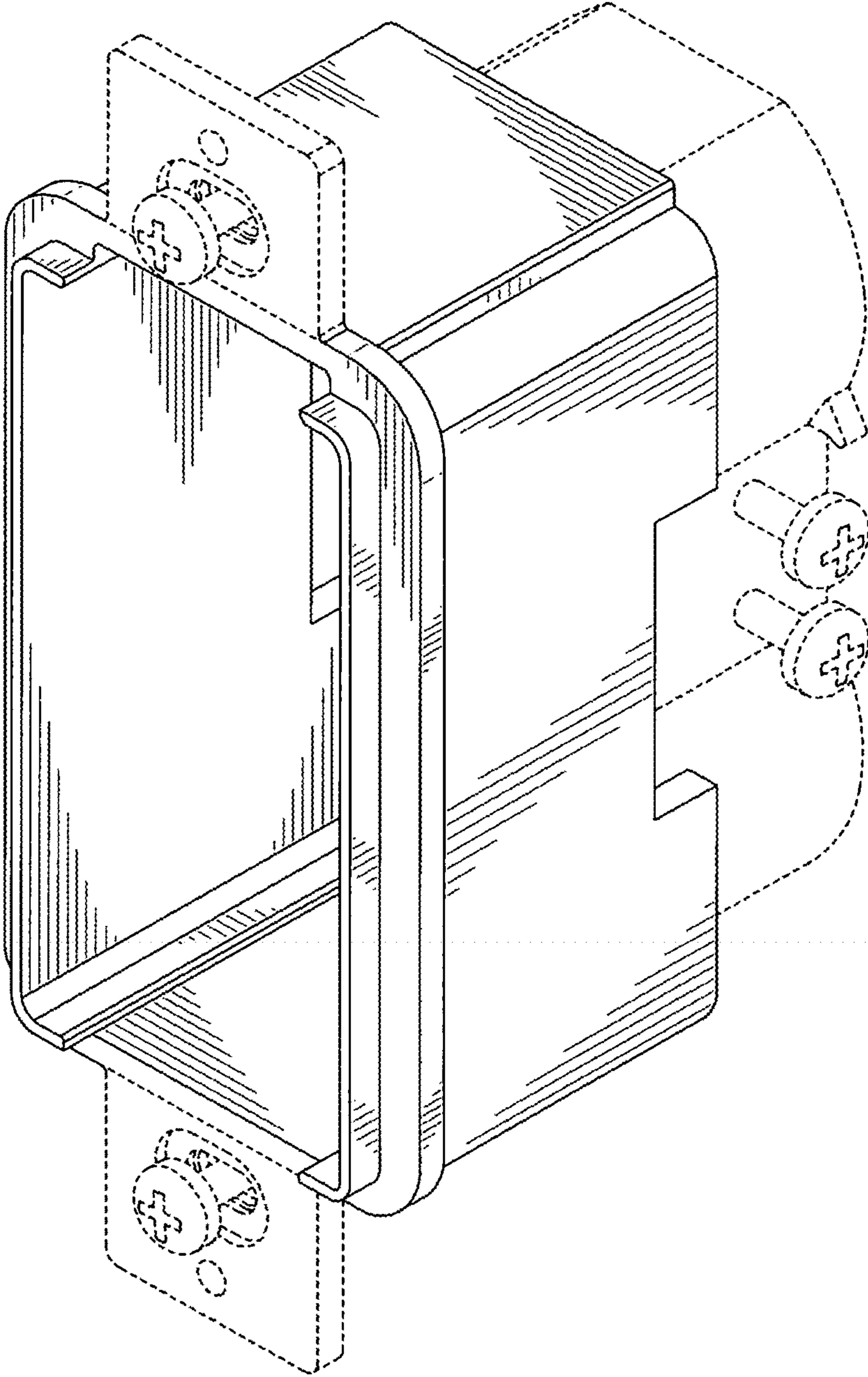


FIG. 8

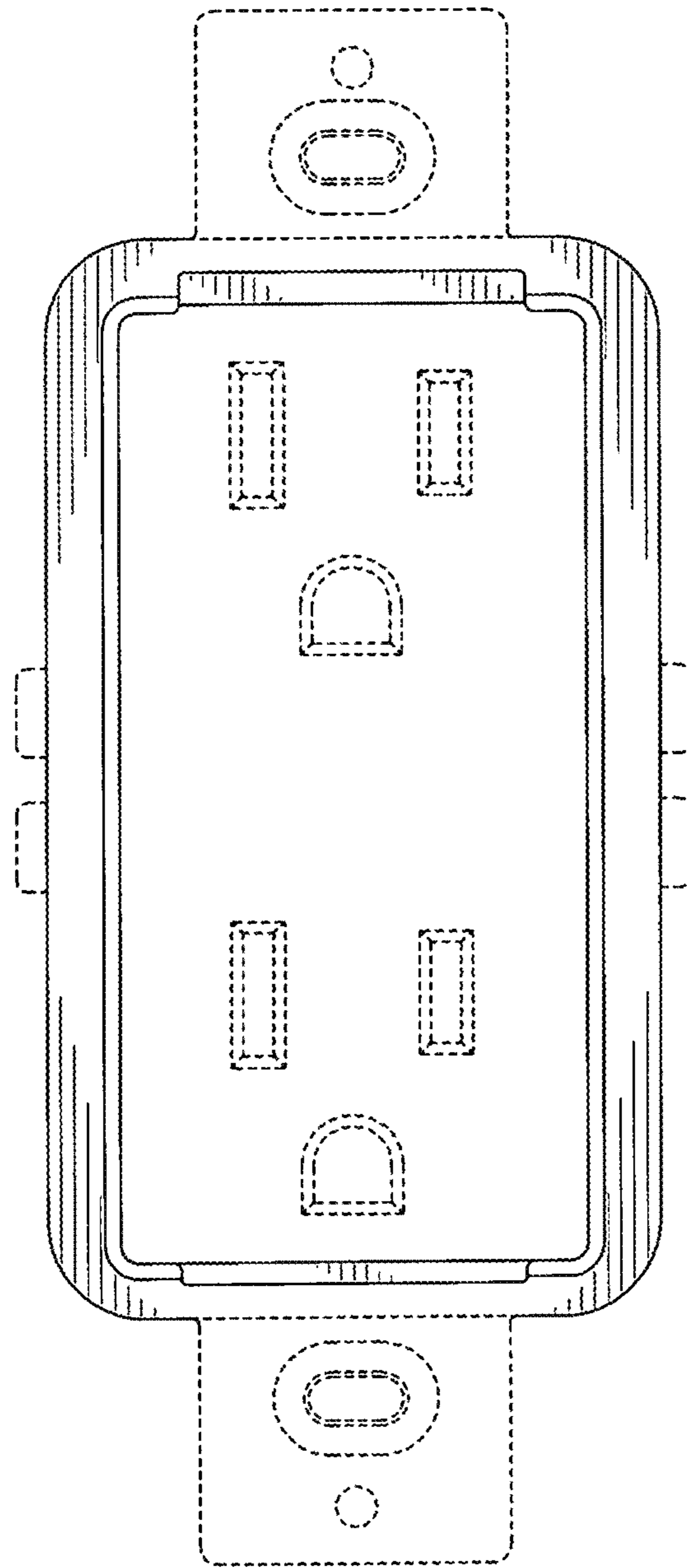


FIG. 9