



US00D814423S

(12) **United States Design Patent**
Akana et al.

(10) **Patent No.:** **US D814,423 S**

(45) **Date of Patent:** **** Apr. 3, 2018**

(54) **ADAPTER**

(71) Applicant: **Apple Inc.**, Cupertino, CA (US)

(72) Inventors: **Jody Akana**, San Francisco, CA (US);
Bartley K. Andre, Palo Alto, CA (US);
Jeremy Bataillou, San Francisco, CA
(US); **Daniel J. Coster**, San Francisco,
CA (US); **Daniele De Iuliis**, San
Francisco, CA (US); **M. Evans**
Hankey, San Francisco, CA (US);
Julian Hoenig, San Francisco, CA
(US); **Richard P. Howarth**, San
Francisco, CA (US); **Jonathan P. Ive**,
San Francisco, CA (US); **Duncan**
Robert Kerr, San Francisco, CA (US);
Shin Nishibori, Kailua, HI (US);
Matthew Dean Rohrbach, San
Francisco, CA (US); **Peter**
Russell-Clarke, San Francisco, CA
(US); **Christopher J. Stringer**,
Woodside, CA (US); **Eugene Antony**
Whang, San Francisco, CA (US); **Rico**
Zörkendörfer, San Francisco, CA (US)

(73) Assignee: **Apple Inc.**, Cupertino, CA (US)

(**) Term: **15 Years**

(21) Appl. No.: **29/597,585**

(22) Filed: **Mar. 17, 2017**

Related U.S. Application Data

(63) Continuation of application No. 29/544,310, filed on Nov. 2, 2015, now Pat. No. Des. 781,785, and a continuation of application No. 29/544,312, filed on Nov. 2, 2015, now Pat. No. Des. 781,786, said application No. 29/544,310 is a continuation of application No. 29/481,729, filed on Feb. 10, 2014, now Pat. No. Des. 742,320, said application No. 29/544,312 is a continuation of application No. 29/481,729, filed on Feb. 10, 2014, now Pat. No. Des.

742,320, which is a continuation of application No. 29/431,841, filed on Sep. 11, 2012, now Pat. No. Des. 699,188.

(51) **LOC (11) Cl.** **13-03**

(52) **U.S. Cl.**
USPC **D13/147**

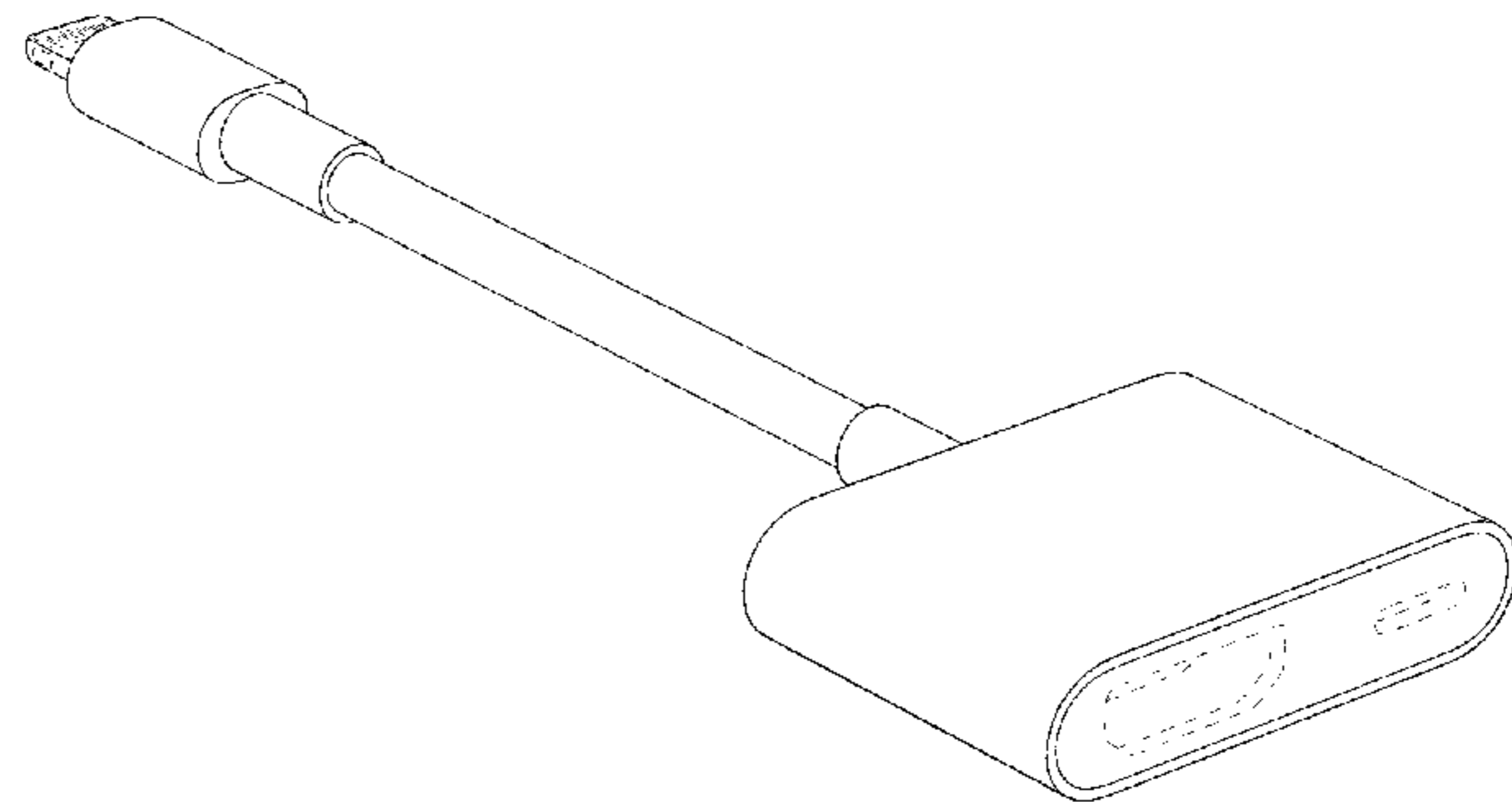
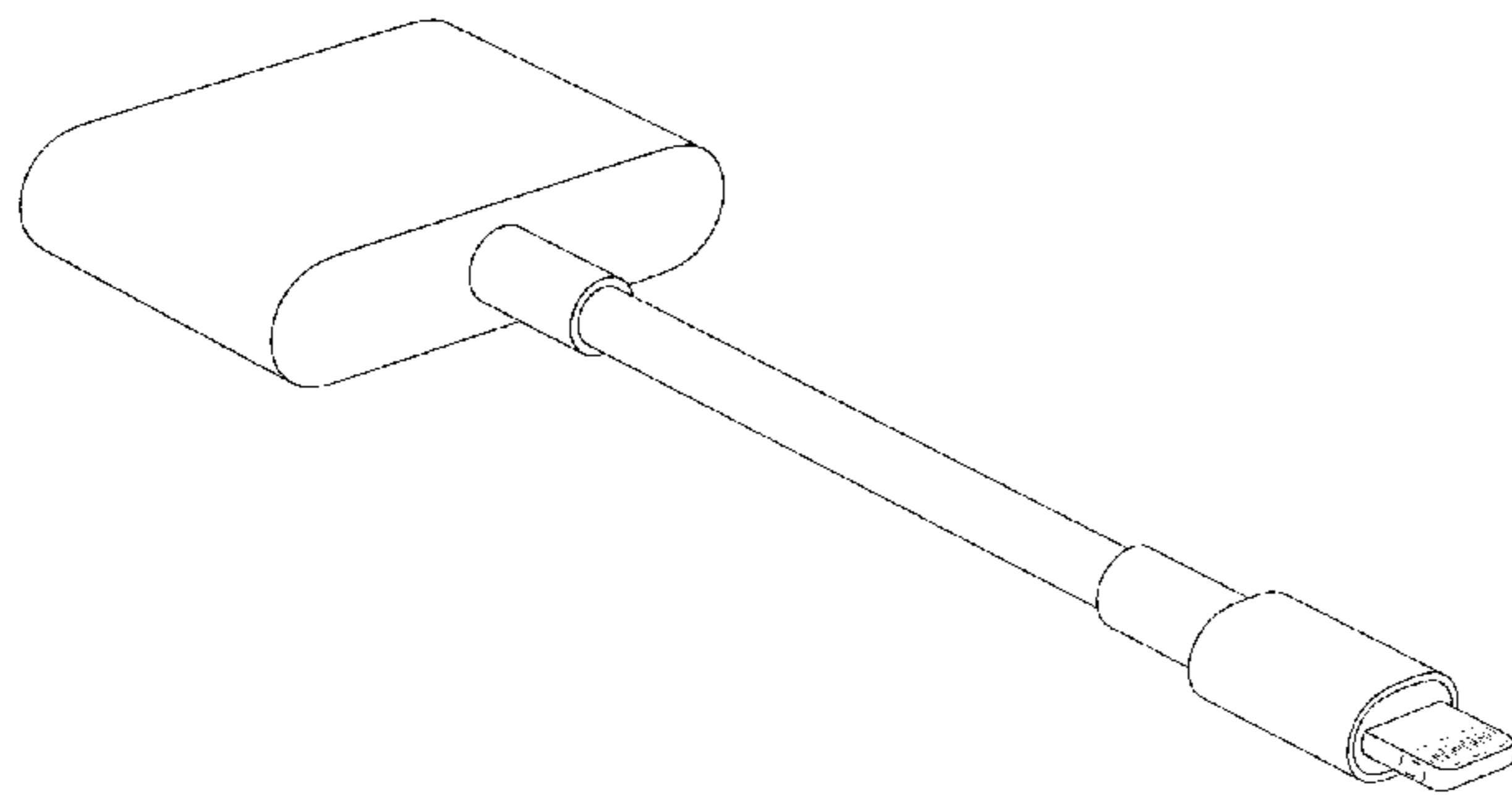
(58) **Field of Classification Search**
USPC D13/133, 146, 147, 154, 156, 184, 199;
D14/432, 433, 434, 435.1, 438
CPC H01R 13/58; H01R 13/5845; H01R 13/02;
H01R 13/03; H01R 13/405; H01R
13/648; H01R 13/506; H01R 13/516;
H01R 12/57; H01R 13/6585; H01R
24/60; H01R 2107/00; B29C 70/84;
B29C 70/88; B29C 70/885

See application file for complete search history.

(56) **References Cited**

U.S. PATENT DOCUMENTS

D304,028 S	10/1989	Matsuzaki
5,179,501 A	1/1993	Ocken et al.
D336,746 S	6/1993	Tse
D369,157 S	4/1996	Ohmori
5,568,006 A	10/1996	Luff et al.
D399,047 S	10/1998	Yoshida
6,137,710 A	10/2000	Iwasaki et al.
D446,499 S	8/2001	Andre et al.
D452,245 S	12/2001	Wallace et al.
D452,246 S	12/2001	Wallace et al.
D454,110 S	3/2002	Andre et al.
6,483,038 B2	11/2002	Lee et al.
D487,747 S	3/2004	Yu et al.
D490,796 S	6/2004	Allen
D515,545 S	2/2006	Griffin
D522,463 S	6/2006	Novotney et al.
D525,977 S	8/2006	Yao
7,094,089 B2	8/2006	Andre et al.
D531,127 S	10/2006	Zhong et al.
D534,184 S	12/2006	Leija et al.
D534,545 S	1/2007	Leija et al.
D537,036 S	2/2007	Chen
D537,780 S	3/2007	Suckle
D543,156 S	5/2007	Suckle
D552,099 S	10/2007	Nishizawa et al.
D552,604 S	10/2007	Andre et al.
D558,145 S	12/2007	Stavoe et al.
D563,899 S	3/2008	Goetz et al.



US D814,423 S

7,341,472 B2	3/2008	Chao et al.	D731,434 S	6/2015	Akana et al.	
7,354,312 B2	4/2008	Chuang	D732,035 S	6/2015	Akana et al.	
D569,848 S	5/2008	Suzuki	9,059,531 B2	6/2015	Schmidt et al.	
D574,365 S	8/2008	Andre et al.	9,065,212 B2	6/2015	Golko et al.	
D577,008 S	9/2008	Andre et al.	D734,434 S	7/2015	Witkowski et al.	
7,429,188 B2	9/2008	Wu	9,092,233 B2	7/2015	Andrews et al.	
D577,990 S	10/2008	Andre et al.	9,160,124 B2	10/2015	Colahan et al.	
D578,991 S	10/2008	Donovan et al.	D742,320 S *	11/2015	Akana	D13/147
D586,293 S	2/2009	Fujino	D746,780 S *	1/2016	Akana	D13/147
D587,209 S	2/2009	Tsai et al.	9,240,700 B2	1/2016	Terlizzi et al.	
D588,545 S	3/2009	Andre et al.	9,459,670 B2	10/2016	Rich et al.	
D594,418 S	6/2009	Fujino et al.	D781,785 S *	3/2017	Akana	D13/147
D599,740 S	9/2009	Guccione et al.	D781,786 S *	3/2017	Akana	D13/147
D599,800 S	9/2009	Klein et al.	2002/0170972 A1	11/2002	Kim	
D600,652 S	9/2009	Hong et al.	2003/0225954 A1	12/2003	Wu	
D604,725 S	11/2009	Chen	2005/0109841 A1	5/2005	Ryan et al.	
D605,650 S	12/2009	Ribeiro	2005/0124219 A1	6/2005	Chen et al.	
D607,886 S	1/2010	Bolotin et al.	2005/0202727 A1	9/2005	Andre et al.	
D612,809 S	3/2010	Zhao et al.	2007/0123106 A1	5/2007	Zhang	
D617,776 S	6/2010	Hightower	2007/0229025 A1	10/2007	Tsai et al.	
D618,226 S	6/2010	Tong et al.	2007/0293079 A1	12/2007	Chao et al.	
D618,240 S	6/2010	Larmour et al.	2010/0151734 A1	6/2010	Wu et al.	
D619,963 S	7/2010	Hou	2011/0199729 A1	8/2011	Hsieh	
D621,785 S	8/2010	Nickol	2012/0252256 A1	10/2012	Zhu et al.	
D624,548 S	9/2010	Yamamoto	2013/0084760 A1	4/2013	Siahaan et al.	
D628,151 S	11/2010	Wegener	2013/0175326 A1	7/2013	Jol et al.	
D628,537 S	12/2010	Nagata et al.	2013/0238823 A1	9/2013	Terlizzi et al.	
D631,883 S	2/2011	Maier	2013/0244472 A1	9/2013	Weber et al.	
D634,326 S	3/2011	Gehrke	2013/0244489 A1	9/2013	Terlizzi et al.	
D635,142 S	3/2011	Borislow	2013/0244491 A1	9/2013	Sarwar et al.	
D636,337 S	4/2011	Smith et al.	2013/0244492 A1	9/2013	Golko et al.	
D637,193 S	5/2011	Andre et al.	2013/0279055 A1	10/2013	Mullins et al.	
D643,040 S	8/2011	Sedio et al.	2013/0286522 A1	10/2013	Mullins et al.	
D648,726 S	11/2011	Behar et al.	2013/0304942 A1	11/2013	Golembeski et al.	
D655,296 S	3/2012	Andre et al.	2013/0305066 A1	11/2013	Mullins et al.	
D656,147 S	3/2012	Schlossstein	2014/0013012 A1	1/2014	Terlizzi et al.	
D658,665 S	5/2012	Akana et al.	2014/0057479 A1	2/2014	Weber et al.	
D659,150 S	5/2012	Andre	2014/0069709 A1	3/2014	Schmidt et al.	
D665,754 S	8/2012	Cobbett et al.	2014/0070774 A1	3/2014	Terlizzi et al.	
D680,076 S	4/2013	McManigal	2014/0073170 A1	3/2014	Golko et al.	
D680,539 S	4/2013	Kim	2014/0073191 A1	3/2014	Colahan et al.	
D682,835 S	5/2013	Daniel	2014/0073193 A1	3/2014	Sooahoo et al.	
D683,703 S	6/2013	Akana et al.	2014/0075051 A1	3/2014	Zadesky et al.	
D684,538 S	6/2013	Akana et al.	2014/0075169 A1	3/2014	Andrews et al.	
D684,539 S	6/2013	Akana et al.	2014/0075210 A1	3/2014	Rich et al.	
D684,976 S	6/2013	Akana et al.	2014/0294656 A1	10/2014	Brickner et al.	
8,454,388 B2	6/2013	Song				
D692,390 S	10/2013	Smith et al.				
8,561,879 B2	10/2013	Jol et al.				
D693,828 S	11/2013	Akana et al.				
D694,243 S	11/2013	Akana et al.				
8,637,165 B2	1/2014	Siahaan et al.				
D699,188 S	2/2014	Akana et al.				
8,683,090 B2	3/2014	Mullins et al.				
D703,145 S	4/2014	Akana et al.				
8,708,745 B2	4/2014	Golko et al.				
D705,176 S	5/2014	Akana et al.				
8,721,356 B2	5/2014	Webb et al.				
D707,680 S	6/2014	Akana et al.				
D707,681 S	6/2014	Akana et al.				
8,747,155 B2	6/2014	Weber et al.				
8,762,605 B2	6/2014	Terlizzi et al.				
D709,032 S	7/2014	Akana et al.				
8,777,666 B2	7/2014	Golko et al.				
8,799,527 B2	8/2014	Mullins et al.				
8,804,355 B2	8/2014	Uttermann et al.				
D712,279 S	9/2014	Akana et al.				
8,845,363 B2	9/2014	Ardisana, II et al.				
D714,729 S	10/2014	Akana et al.				
8,882,529 B2	11/2014	Weber et al.				
8,886,849 B2	11/2014	Golembeski et al.				
8,888,510 B2	11/2014	Webb				
8,891,216 B2	11/2014	Mullins et al.				
8,905,793 B2	12/2014	Golko et al.				
8,974,126 B2	3/2015	Sloey et al.				
8,986,029 B2	3/2015	Weber et al.				
9,011,161 B2	4/2015	Weber et al.				
9,011,179 B2	4/2015	Siahaan et al.				
9,021,159 B2	4/2015	Fritchman et al.				

FOREIGN PATENT DOCUMENTS

AU	346798 S	2/2013
CN	D131168 S	10/2009
CN	301901718 S	5/2012
CN	203103611 U	7/2013
CN	203225414 U	10/2013
CN	102269849 S	9/2014
EM	000623848-0001	2/2007
EM	001222905-0018	10/2010
JP	D128395	3/1997
WO	WO-2006074348 A1	7/2006
WO	WO-2011150403 A1	12/2011
WO	WO-2011160138 A2	12/2011
WO	WO-2011163256 A1	12/2011
WO	WO-2011163260 A1	12/2011
WO	WO-2012103383 A2	8/2012
WO	WO-2013081704 A1	6/2013
WO	WO-2014040224 A1	3/2014

OTHER PUBLICATIONS

Apple 30-pin Digital AV Adapter, < <http://store.apple.com/us/product/MD098ZM/a/apple-digital-av-adapter?fnode=3a&fs=m.ipadCompatibility%3Dipad2>>, accessed on Aug. 28, 2013, 3 pages.
 Apple 30-pin to VgGA Adapter, < <http://store.apple.com/us/product/MC552ZM/B/apple-vga-adapter?fnode=3-a&fs=m.ipadCompatibility%3Dipad2>>, accessed on Aug. 28, 2013, 4 pages.
 Apple iPad Camera Connection Kit, < <http://store.apple.com/us/product/MC531ZM/a/apple-ipad-camera-connect-ion->

kit?fnode=3a&fs=m.ipadCompatibility°/03Dipad2>, accessed on Aug. 28, 2013, 3 pages.

* cited by examiner

Primary Examiner — Daniel Bui
(74) *Attorney, Agent, or Firm* — Sterne, Kessler,
Goldstein & Fox P.L.L.C.

(57) **CLAIM**

The ornamental design for an adapter, as shown and described.

DESCRIPTION

FIG. 1 is a front perspective view of an adapter showing our new design;
FIG. 2 is a rear perspective view thereof;
FIG. 3 is a top view thereof, the bottom view being a mirror image thereof;
FIG. 4 is a left view thereof;
FIG. 5 is a right view thereof;
FIG. 6 is a rear view thereof; and,
FIG. 7 is a front view thereof.

The broken lines in the figures show portions of the adapter that form no part of the claimed design.

The shade lines in the Figures show contour and not surface ornamentation.

1 Claim, 5 Drawing Sheets

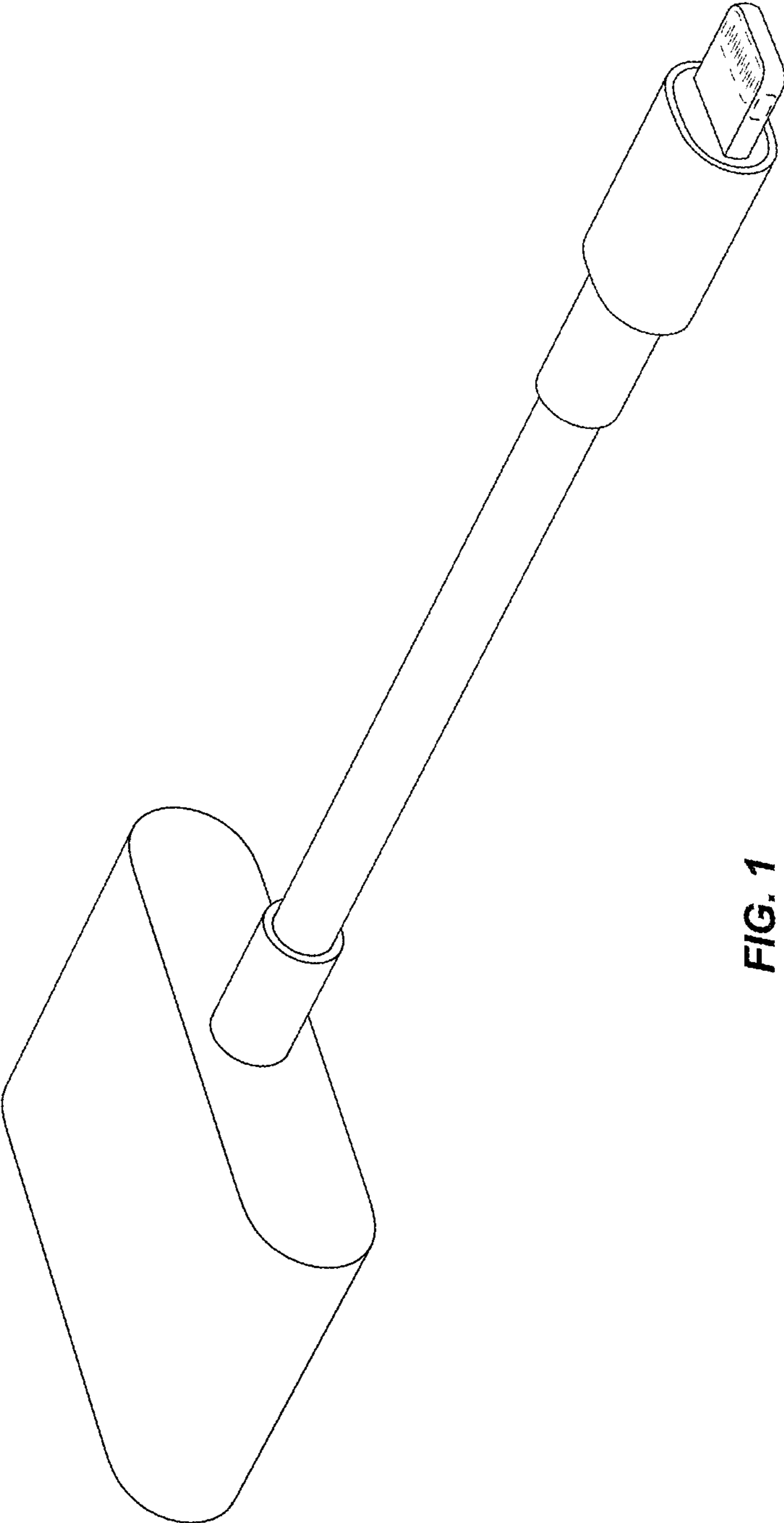


FIG. 1

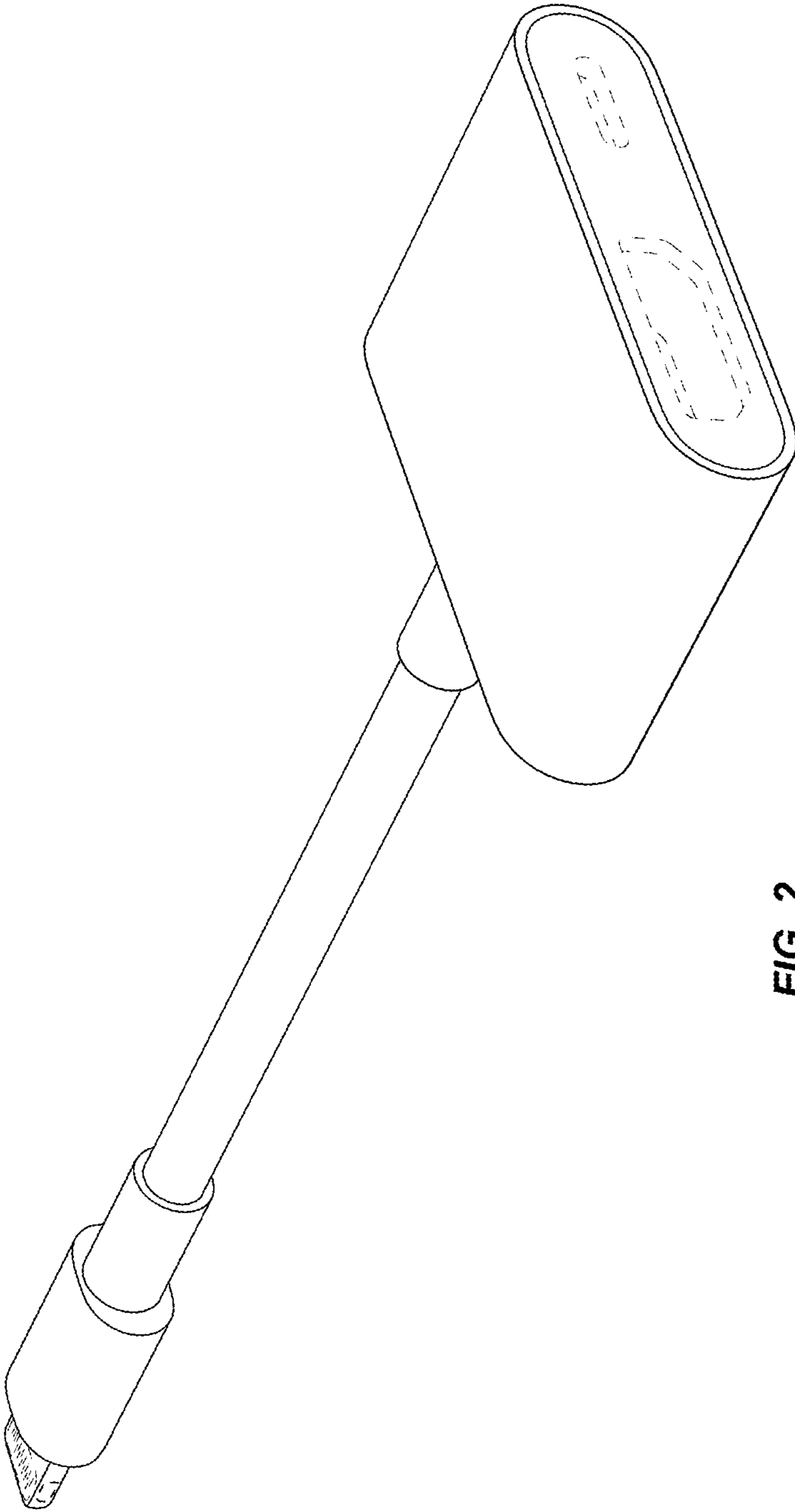


FIG. 2

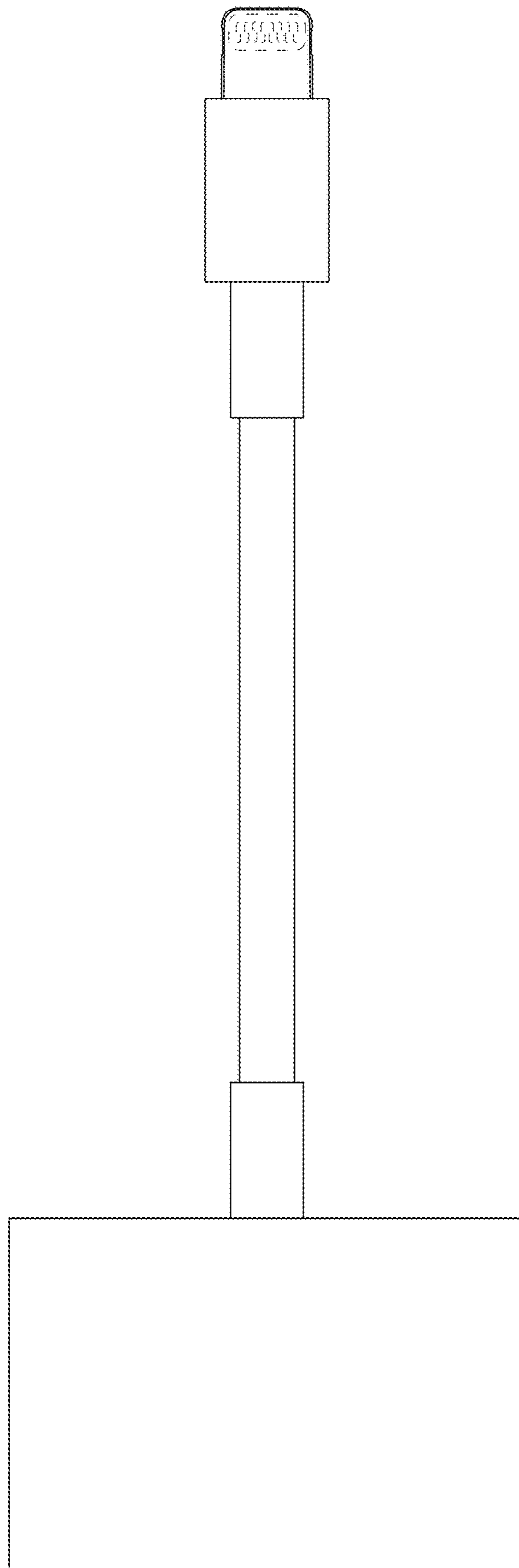


FIG. 3

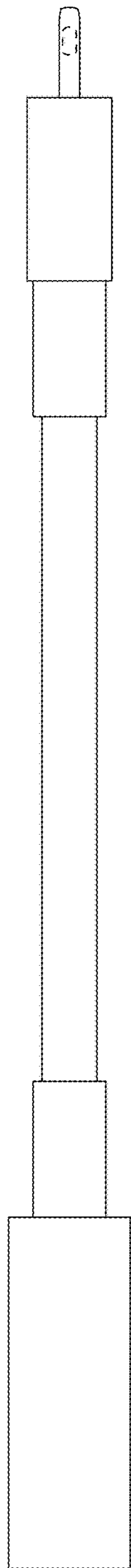


FIG. 4

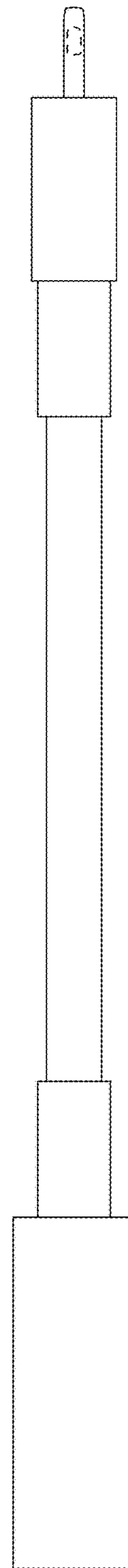


FIG. 5

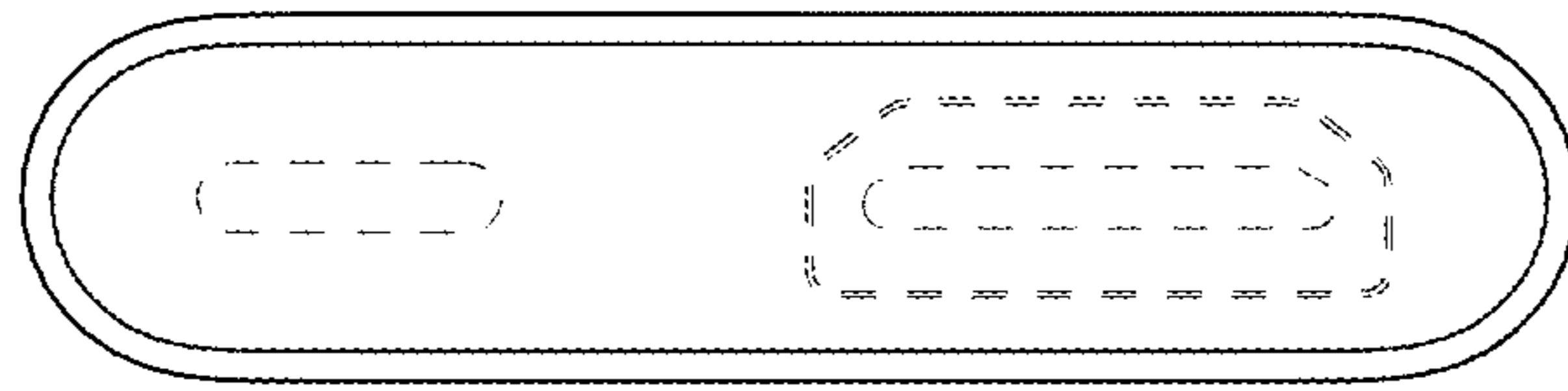


FIG. 6

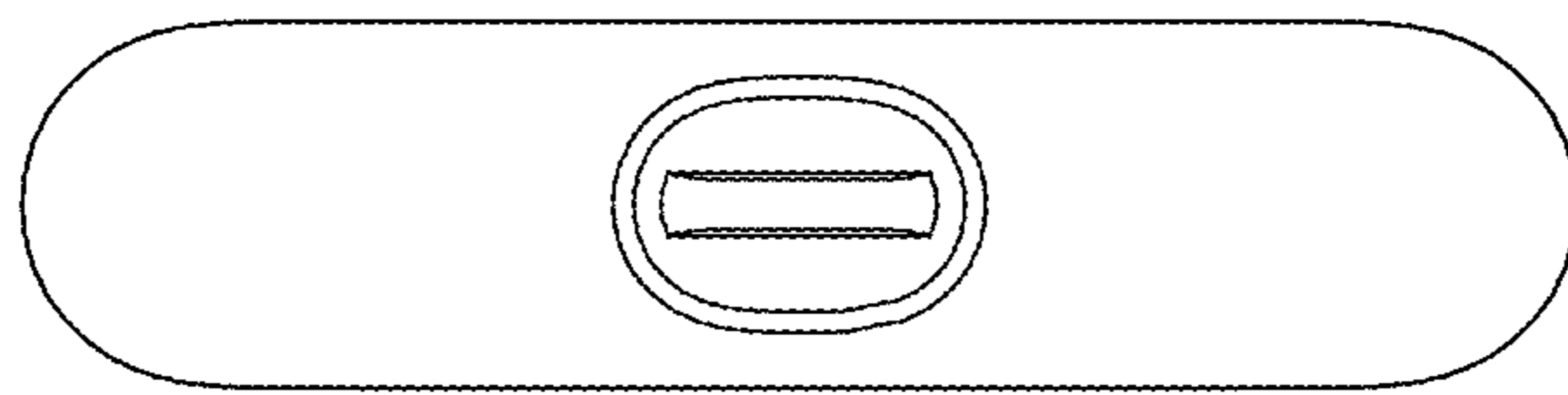


FIG. 7