



US00D814421S

(12) **United States Design Patent**  
**Curth**

(10) **Patent No.:** **US D814,421 S**

(45) **Date of Patent:** **\*\* Apr. 3, 2018**

(54) **ACCESSORY FOR ELECTRIC BUSBAR**

(71) Applicant: **Wohner GmbH & Co. KG**  
**Elektrotechnische Systeme, Rodental**  
(DE)

(72) Inventor: **Christopher Curth, Rodental (DE)**

(73) Assignee: **WÖHNER GMBH & CO. KG**  
**ELEKTROTECHNISCHE**  
**SYSTEME, Rodental (DE)**

(\*\*) Term: **15 Years**

(21) Appl. No.: **29/543,249**

(22) Filed: **Oct. 22, 2015**

(30) **Foreign Application Priority Data**

Apr. 24, 2015 (EM) ..... 002689000-0003  
Apr. 24, 2015 (EM) ..... 002689000-0004  
Apr. 24, 2015 (EM) ..... 002689000-0005

(51) **LOC (11) Cl.** ..... **13-03**

(52) **U.S. Cl.**  
USPC ..... **D13/146; D13/147**

(58) **Field of Classification Search**  
USPC ..... D13/133, 146, 147, 154, 156, 184, 199  
CPC .... H01R 25/145; H01R 9/2608; H01R 85/20;  
H01R 85/32; H01R 85/48; H01R 9/62;  
H02B 1/0565; H02B 1/052; H02B  
1/0523; H02G 5/00

See application file for complete search history.

(56) **References Cited**

**U.S. PATENT DOCUMENTS**

7,285,724 B2 \* 10/2007 Buettner ..... H02G 5/025  
174/68.2  
D689,439 S \* 9/2013 Yu ..... D13/147

D762,594 S \* 8/2016 Henning ..... D13/161  
2013/0280930 A1 \* 10/2013 Buettner ..... H01R 25/145  
439/110  
2013/0280934 A1 \* 10/2013 Buettner ..... H02B 1/052  
439/153  
2015/0090493 A1 \* 4/2015 Bruchmann ..... H02B 1/21  
174/88 B

\* cited by examiner

*Primary Examiner* — Daniel D Bui

(74) *Attorney, Agent, or Firm* — Millen, White, Zelano &  
Branigan, P.C.; William Nixon

(57) **CLAIM**

The ornamental design for an accessory for electric busbar,  
as shown and described.

**DESCRIPTION**

FIG. 1 is a front-left perspective view of the first embodi-  
ment of an accessory for an electric busbar showing my new  
design;

FIG. 2 is a rear elevational view thereof;

FIG. 3 is a front elevational view thereof;

FIG. 4 is a right side elevational view thereof;

FIG. 5 is a left side elevational view thereof;

FIG. 6 is a top plan view thereof;

FIG. 7 is a bottom plan view thereof;

FIG. 8 is a front-left perspective view of the second embodi-  
ment of an accessory for an electric busbar showing my new  
design;

FIG. 9 is a rear elevational view thereof;

FIG. 10 is a front elevational view thereof;

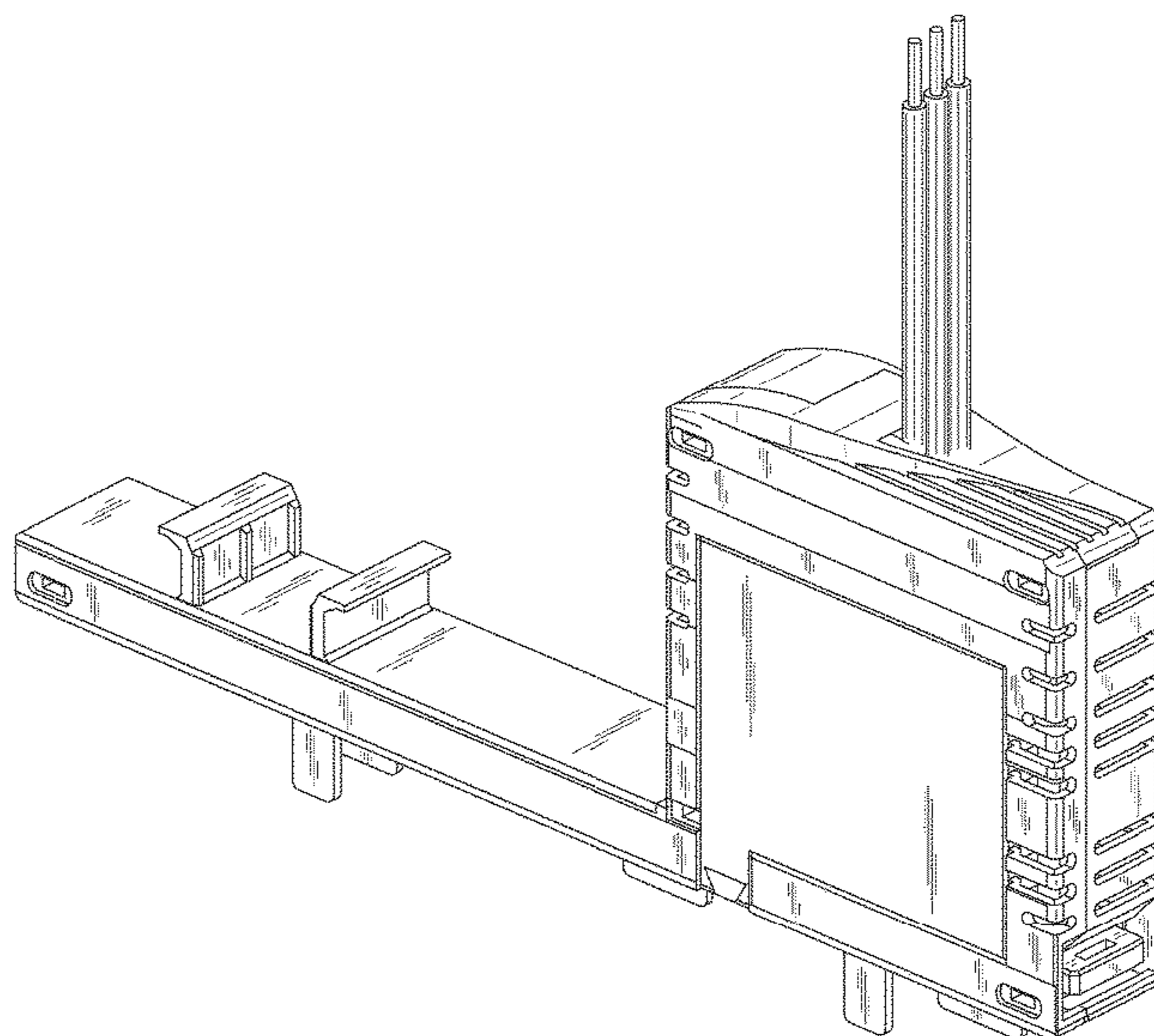
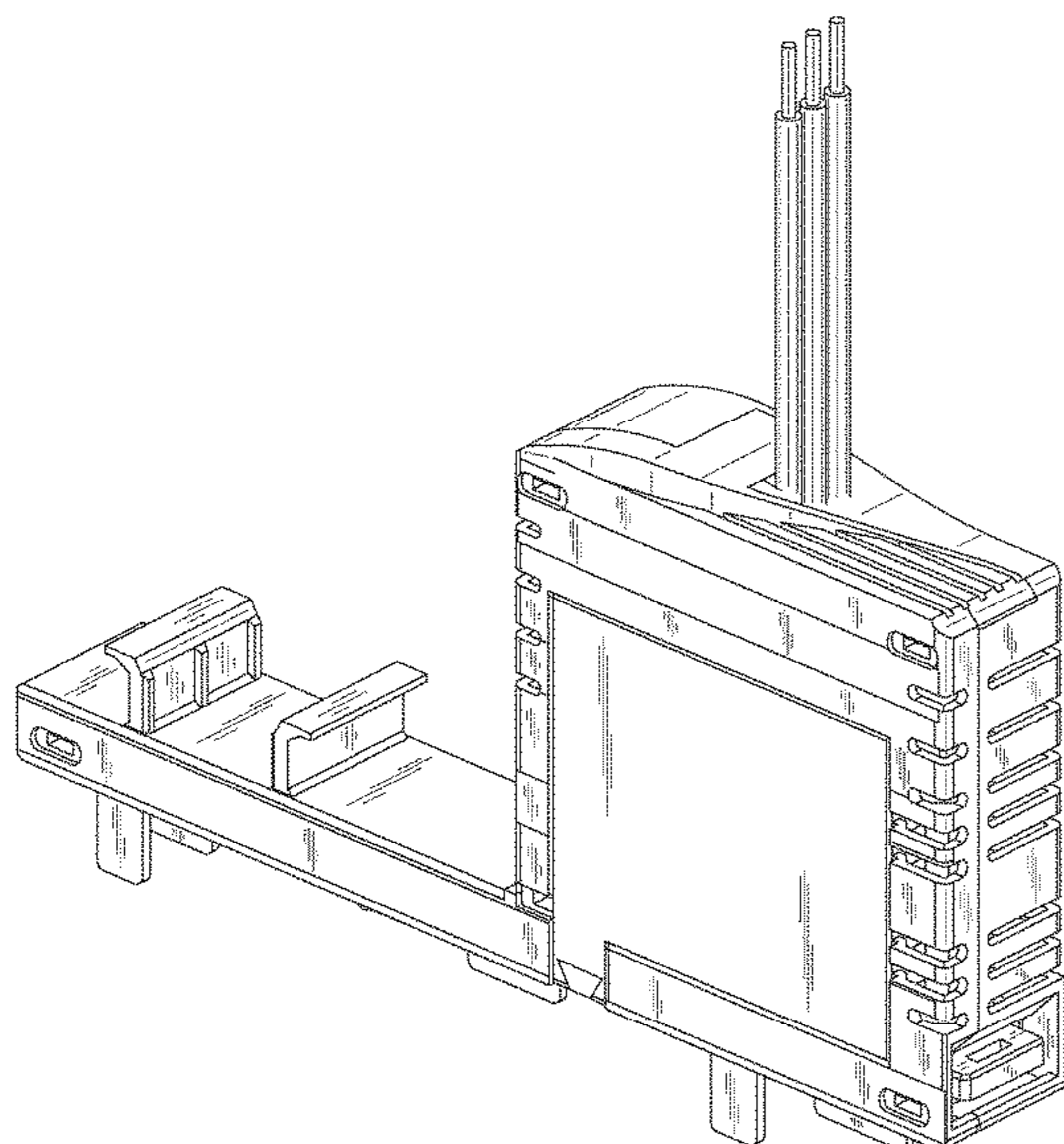
FIG. 11 is a right side elevational view thereof;

FIG. 12 is a left side elevational view thereof;

FIG. 13 is a top plan view thereof; and,

FIG. 14 is a bottom plan view thereof.

**1 Claim, 14 Drawing Sheets**



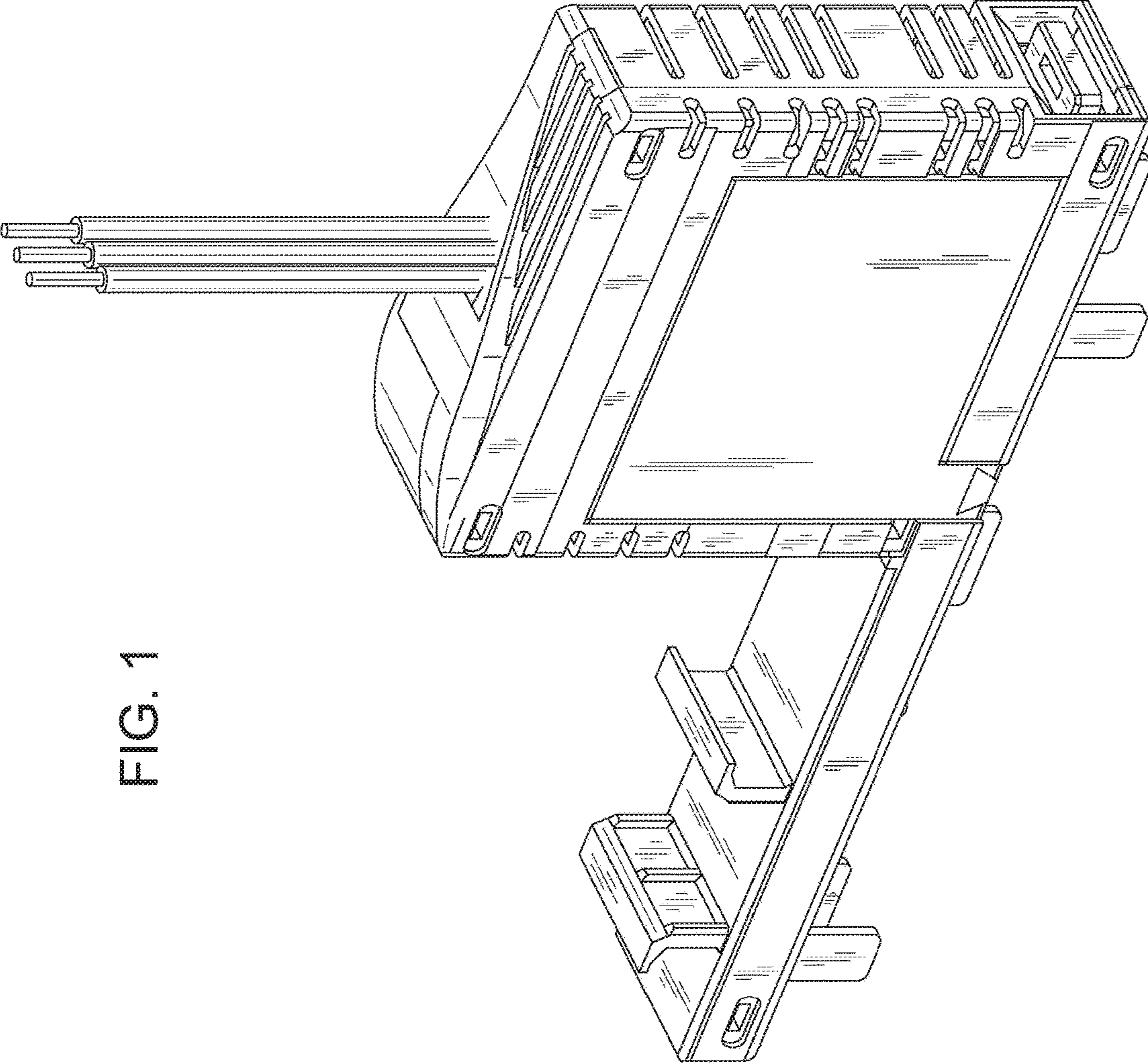
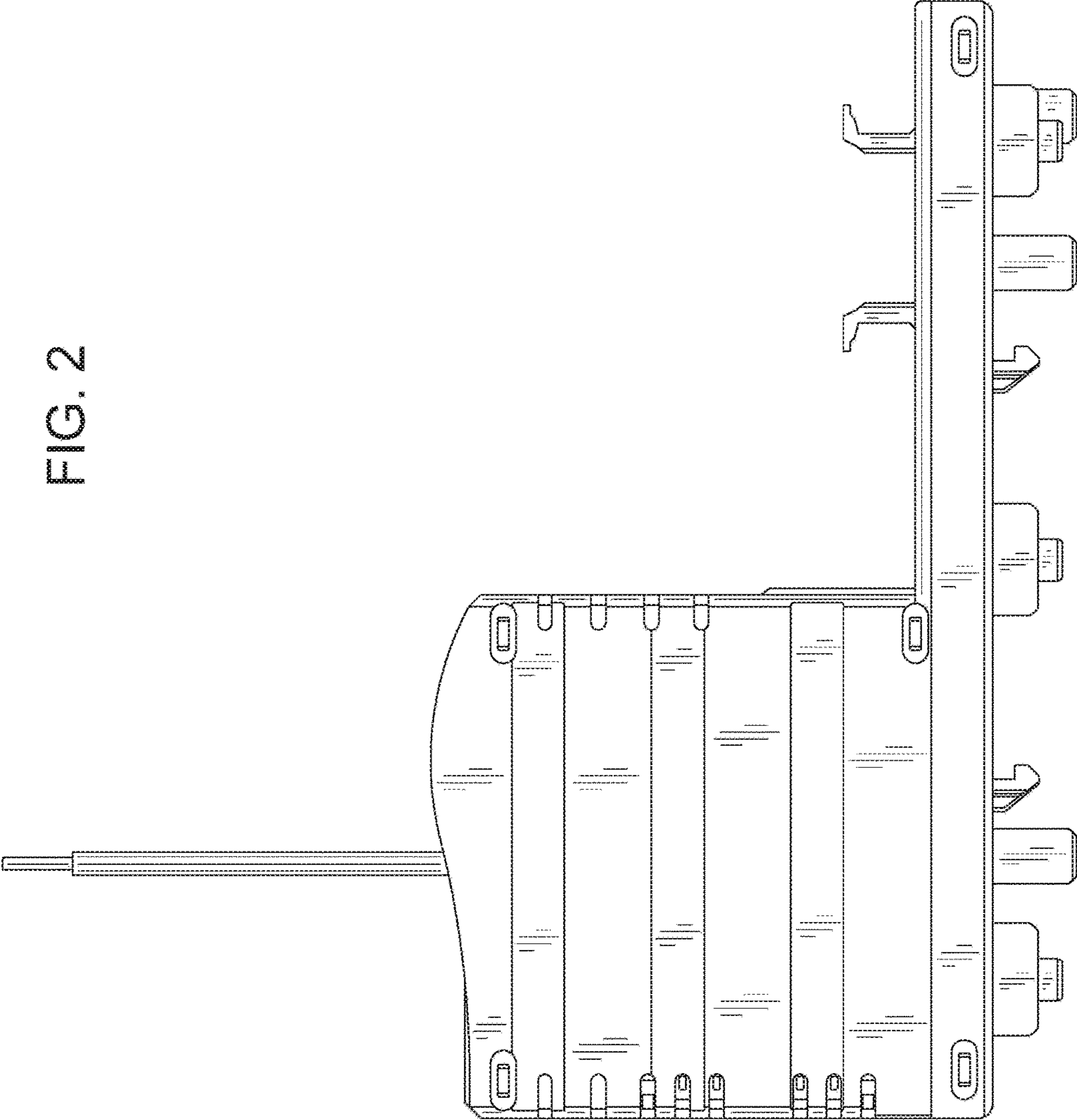


FIG. 1

FIG. 2



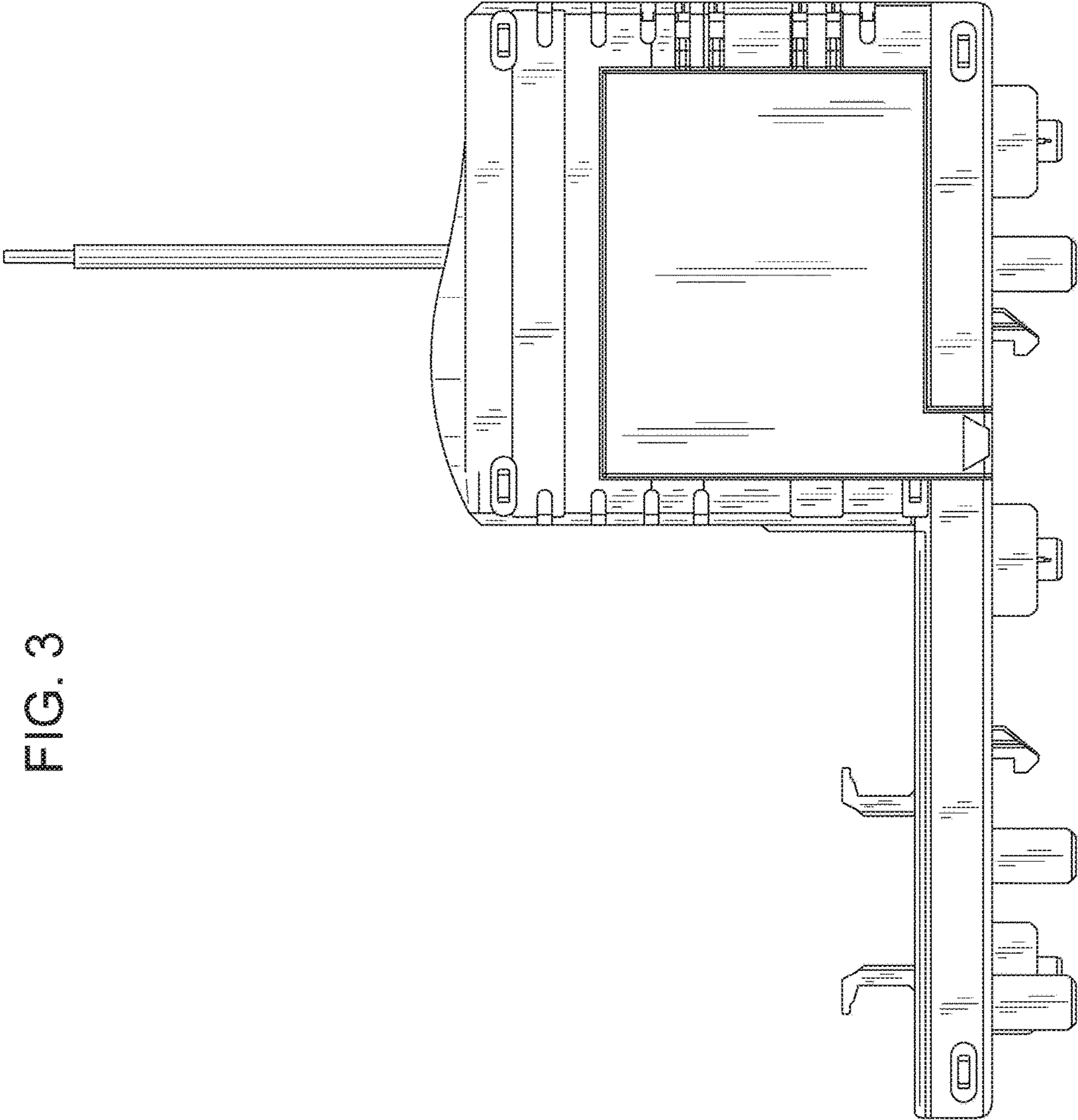


FIG. 3

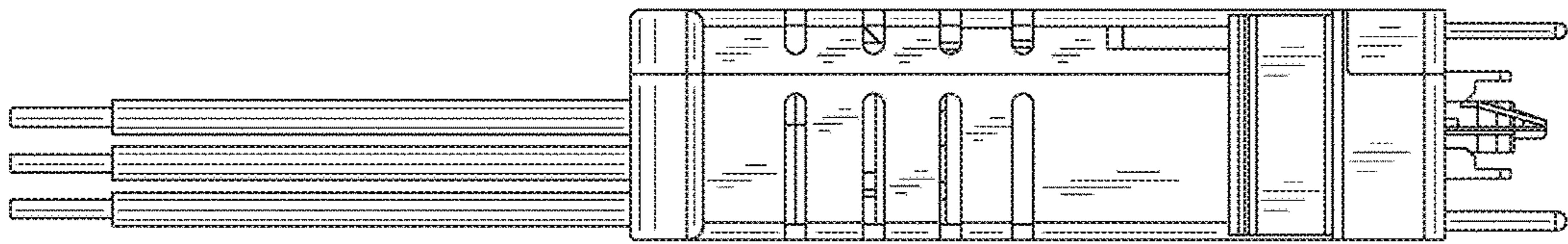


FIG. 4

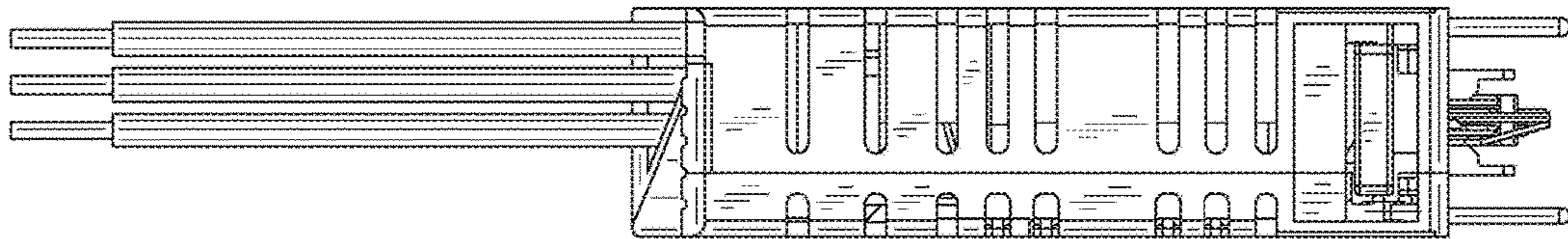
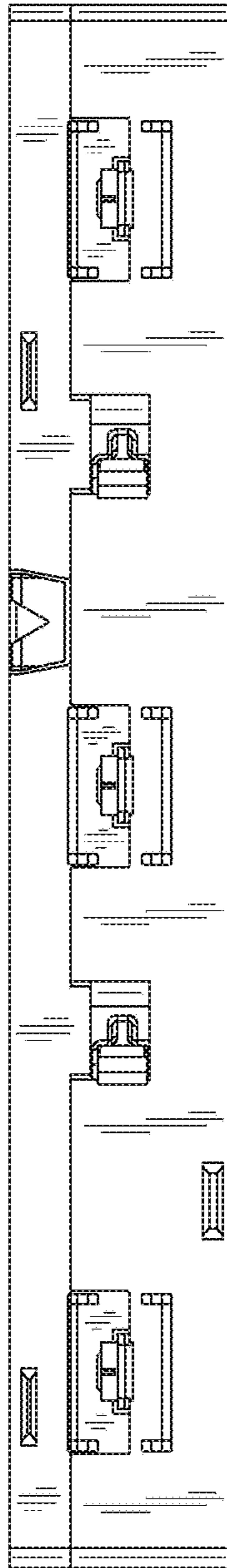


FIG. 5



FIG. 7





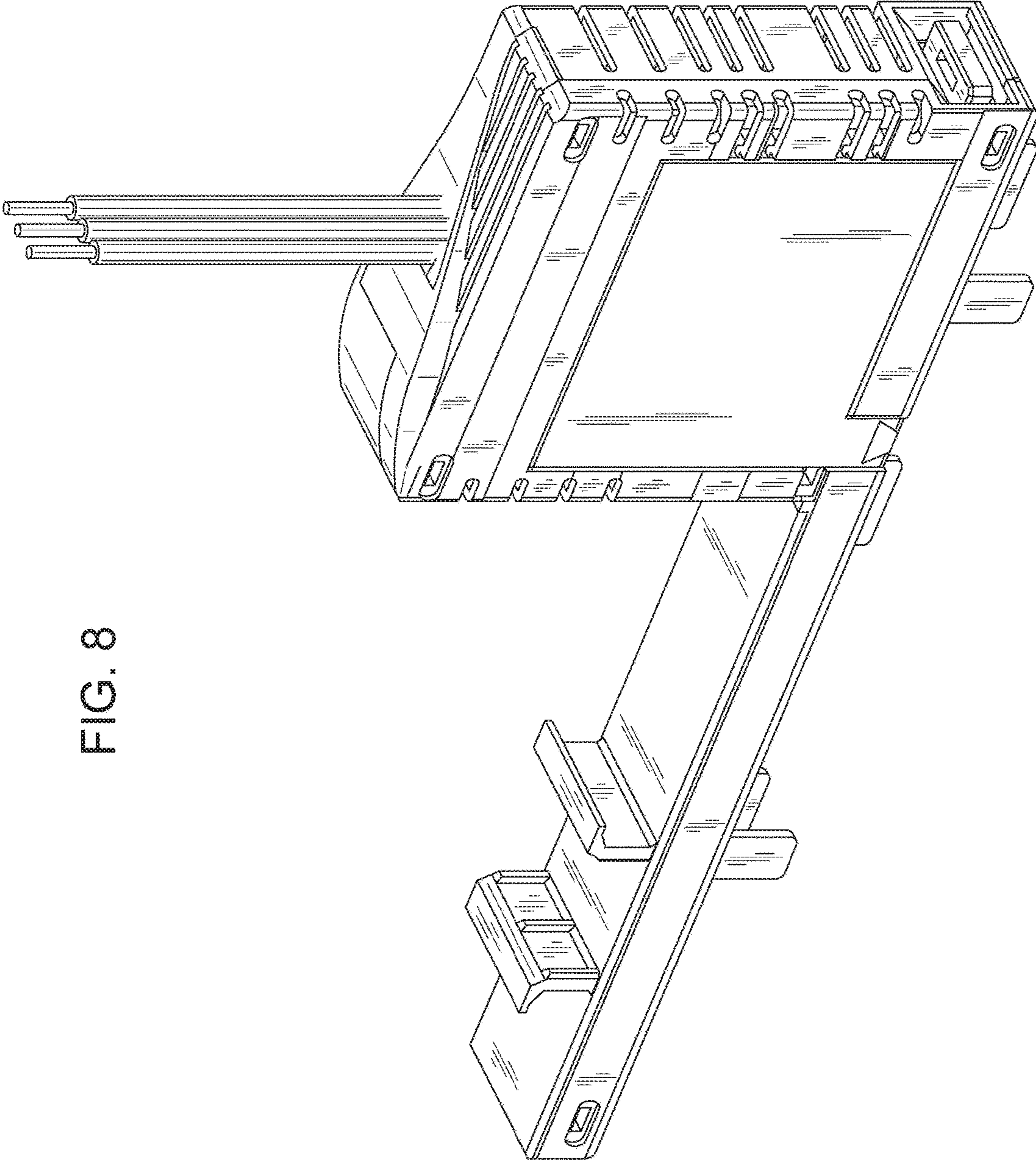
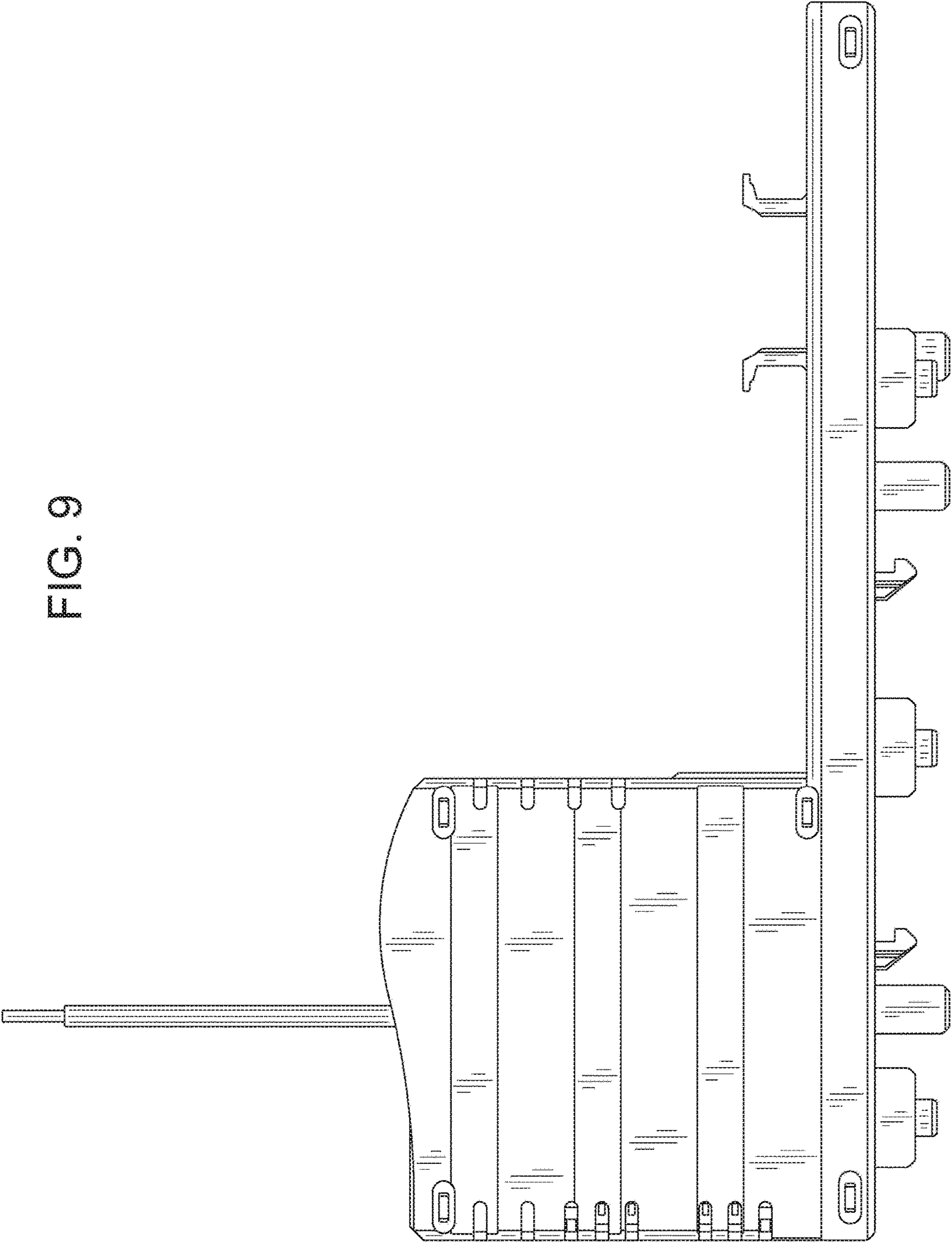


FIG. 8

FIG. 9



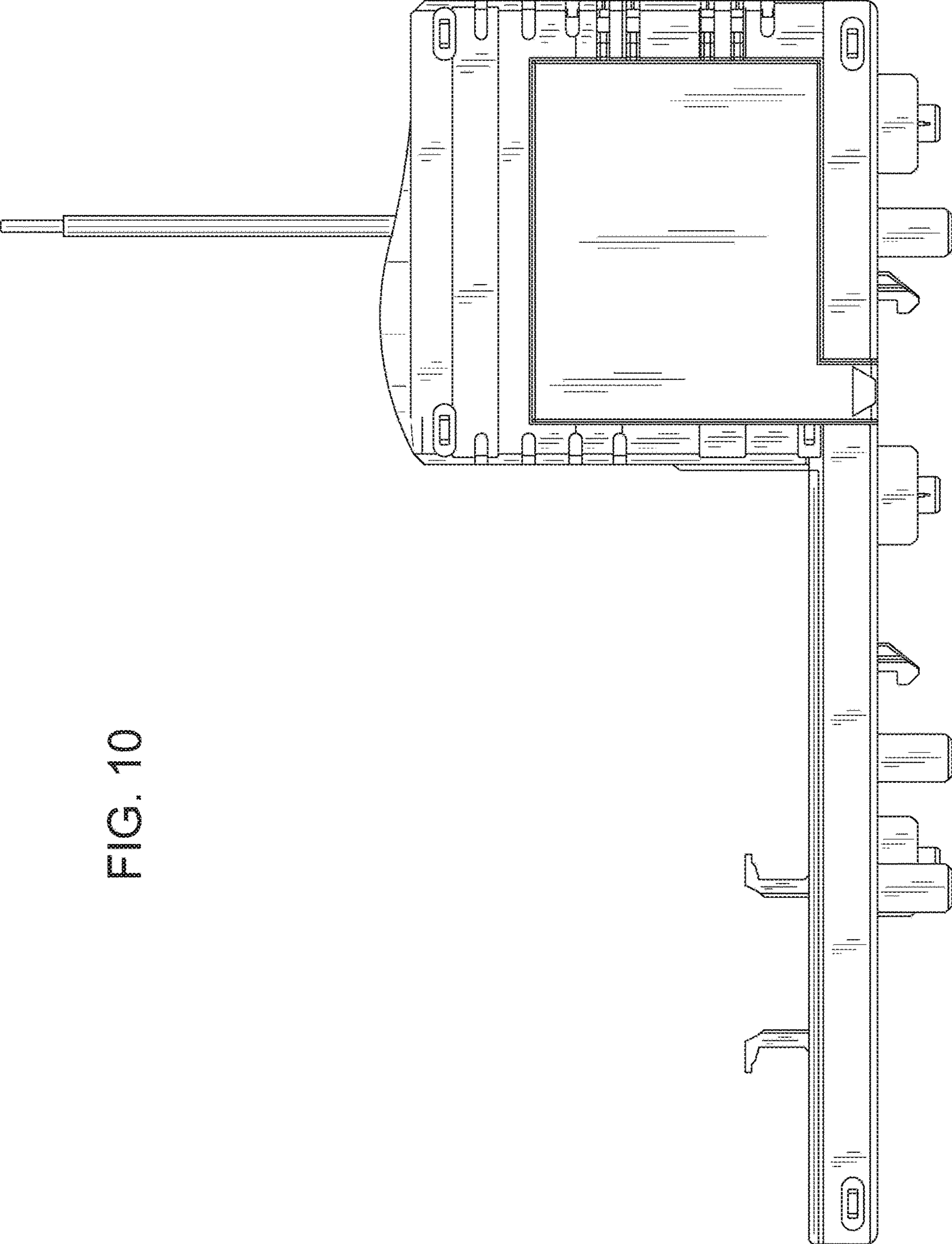


FIG. 10

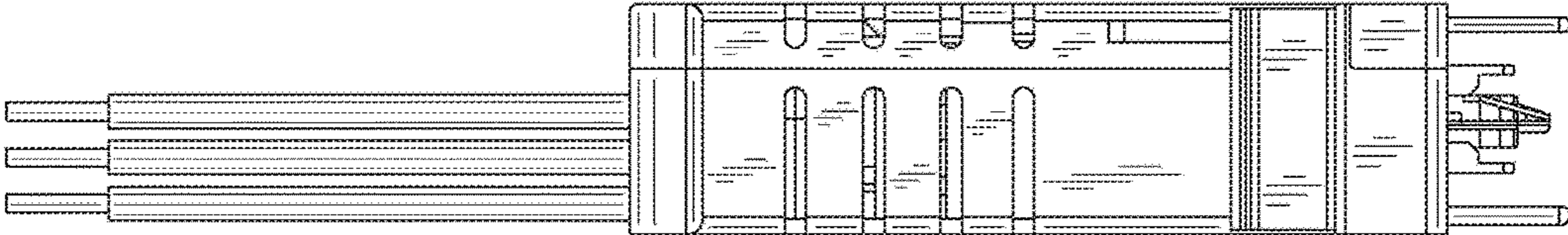


FIG. 11

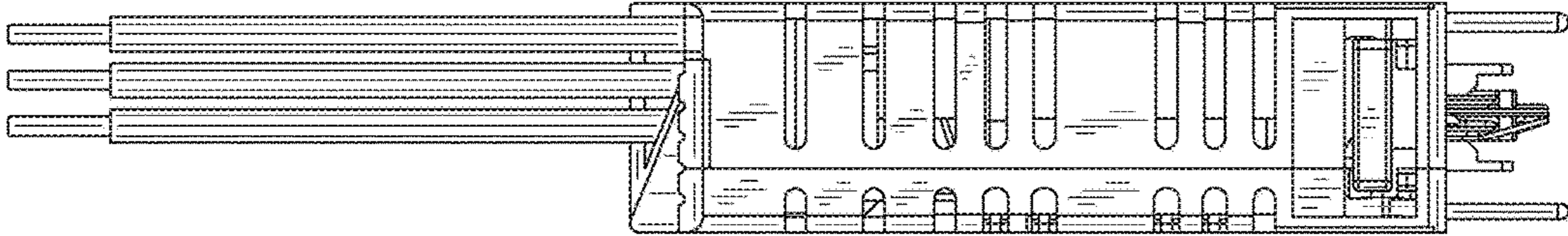


FIG. 12

FIG. 13

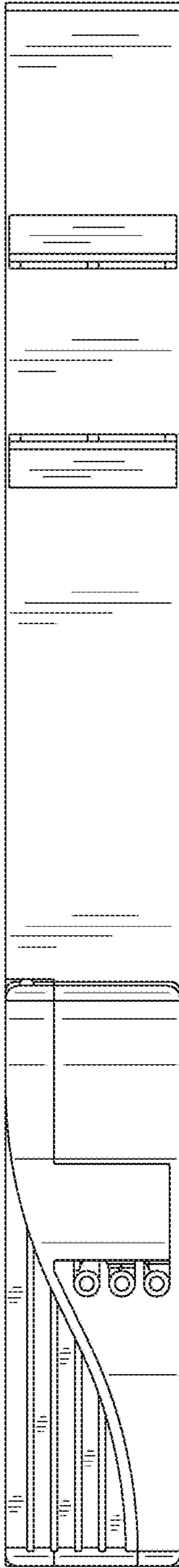


FIG. 14

