



US00D814420S

(12) **United States Design Patent** (10) **Patent No.:** **US D814,420 S**
Chen (45) **Date of Patent:** **** Apr. 3, 2018**

(54) **WALL OUTLET**
(71) Applicant: **SHENZHEN ANHAORUIHE ELECTRONICS CO., LTD**, Shenzhen (CN)
(72) Inventor: **Xinjiao Chen**, Shenzhen (CN)
(73) Assignee: **SHENZHEN ANHAORUIHE ELECTRONICS CO., LTD**, Shenzhen (CN)

D609,643 S 2/2010 Oddsen et al.
D614,572 S 4/2010 Oddsen et al.
D619,276 S * 7/2010 Choi D26/26
D682,214 S * 5/2013 Miller D13/139.8
D682,215 S * 5/2013 Miller D13/139.8
D695,693 S * 12/2013 Lee D13/152
D715,225 S * 10/2014 Mininger D13/139.4
D719,091 S * 12/2014 Leddusire D13/110
D742,830 S * 11/2015 Croft D13/137.2
D744,951 S 12/2015 Oosterman
D755,129 S 5/2016 Page et al.
D772,817 S * 11/2016 Lunjevich D13/152
D775,588 S * 1/2017 Xu D13/137.2
D801,935 S * 11/2017 Herr D13/137.2

(**) Term: **15 Years**

(Continued)

(21) Appl. No.: **29/618,076**
(22) Filed: **Sep. 19, 2017**
(51) **LOC (11) Cl.** **13-03**
(52) **U.S. Cl.**
USPC **D13/137.2**
(58) **Field of Classification Search**
USPC ... D13/137.1-137.4, 152, 153, 139.1-139.8,
D13/110; D26/26; 248/117.1
CPC A45D 1/00
See application file for complete search history.

OTHER PUBLICATIONS

“6 outlets with dual USB wall plate” found on the internet Feb. 1, 2018 by RMS at: http://www.ahrh-elec.com/eacp_view.asp?id=140.*

Primary Examiner — Rhea Shields

(57) **CLAIM**

The ornamental design for a wall outlet, as shown and described.

DESCRIPTION

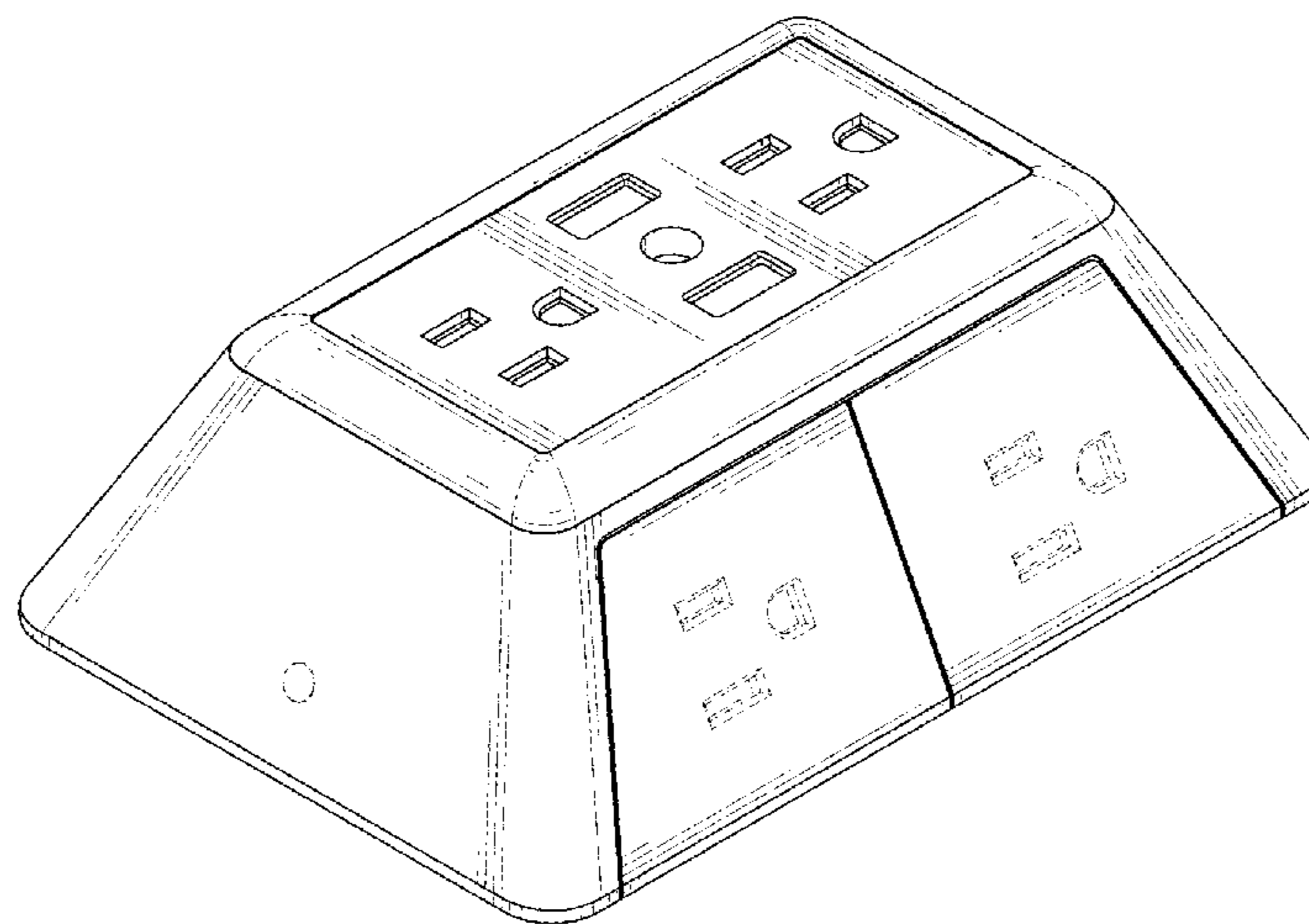
FIG. 1 is a front perspective view of the wall outlet, showing my new design;
FIG. 2 is a rear perspective view thereof;
FIG. 3 is a front elevation view thereof;
FIG. 4 is a rear elevation view thereof;
FIG. 5 is a left side view thereof;
FIG. 6 is a right side view thereof;
FIG. 7 is a top plan view thereof; and,
FIG. 8 is a bottom plan view thereof.
In the drawings, the broken lines are for the purpose of illustrating environment only and form no part of the claimed design.

(56) **References Cited**

U.S. PATENT DOCUMENTS

D399,186 S * 10/1998 Yasuhara D13/137.3
D401,555 S * 11/1998 Tam D13/137.3
6,123,299 A * 9/2000 Zach, Sr. A45D 1/00
248/117.1
D442,916 S * 5/2001 Tong D13/137.2
D443,589 S * 6/2001 Tong D13/137.2
D469,402 S * 1/2003 Bukiri D13/137.1
D486,126 S * 2/2004 Aromin D13/137.2
D486,792 S * 2/2004 Stoughton D13/137.2
D492,253 S * 6/2004 Lee D13/137.2
D495,657 S * 9/2004 Lee D13/137.2
D547,271 S * 7/2007 Ng D13/137.1
D547,272 S * 7/2007 Ng D13/137.2
D575,775 S * 8/2008 Sekine D13/137.3

1 Claim, 8 Drawing Sheets



(56)

References Cited

U.S. PATENT DOCUMENTS

D807,828 S * 1/2018 Xu D13/137.2
D807,831 S * 1/2018 Xu D13/139.8
D808,046 S * 1/2018 Jianting D26/26

* cited by examiner

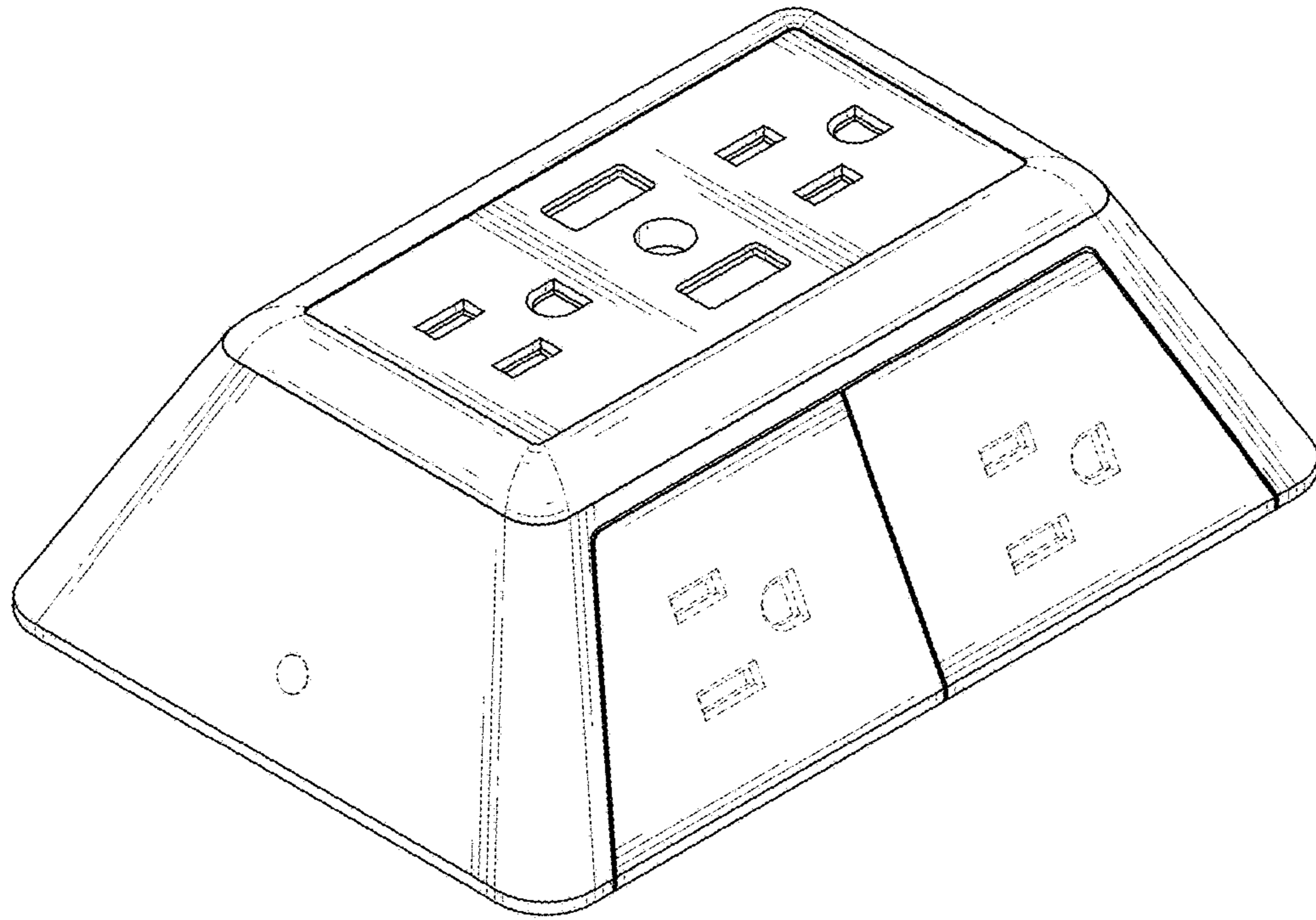


FIG. 1

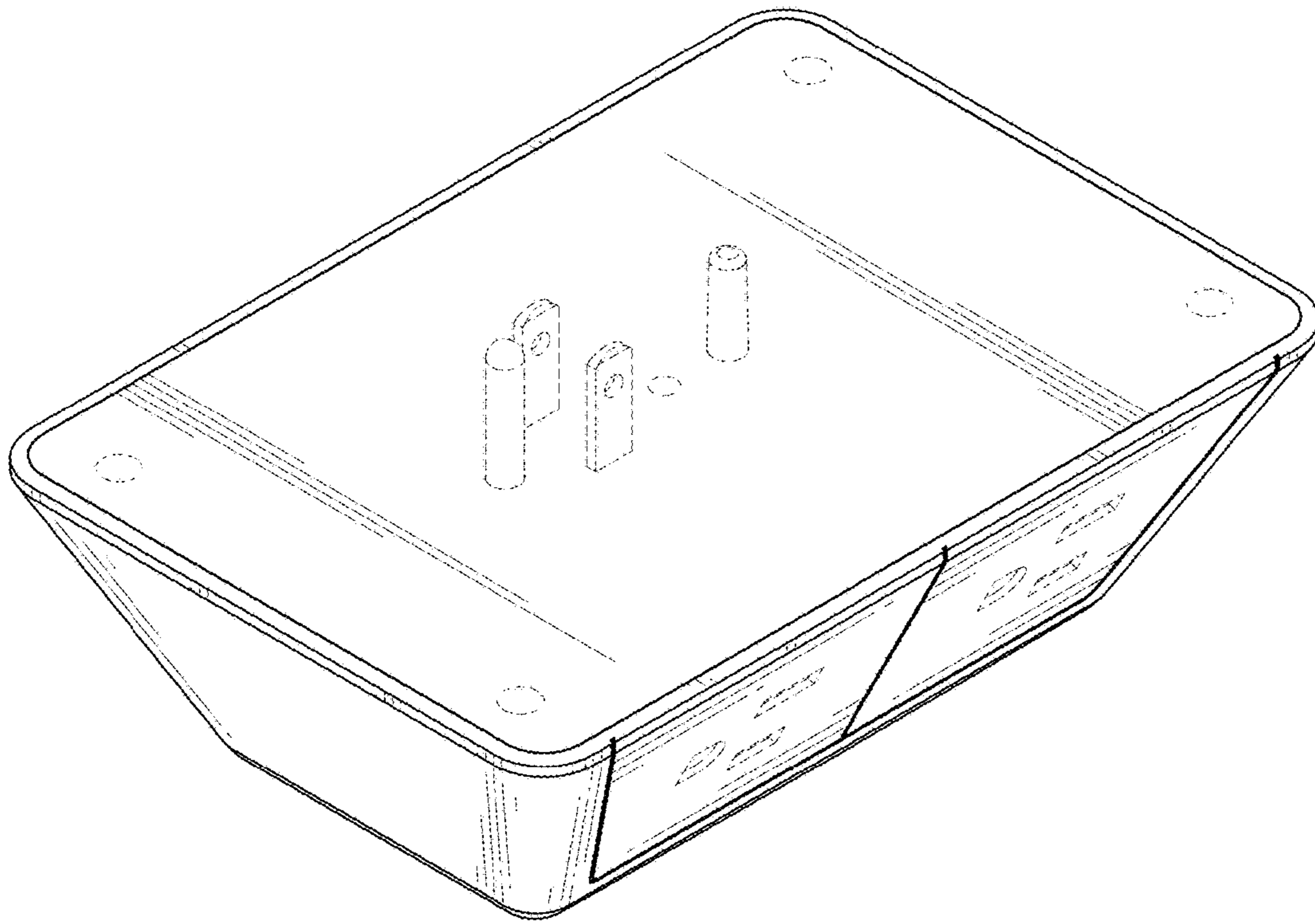


FIG. 2

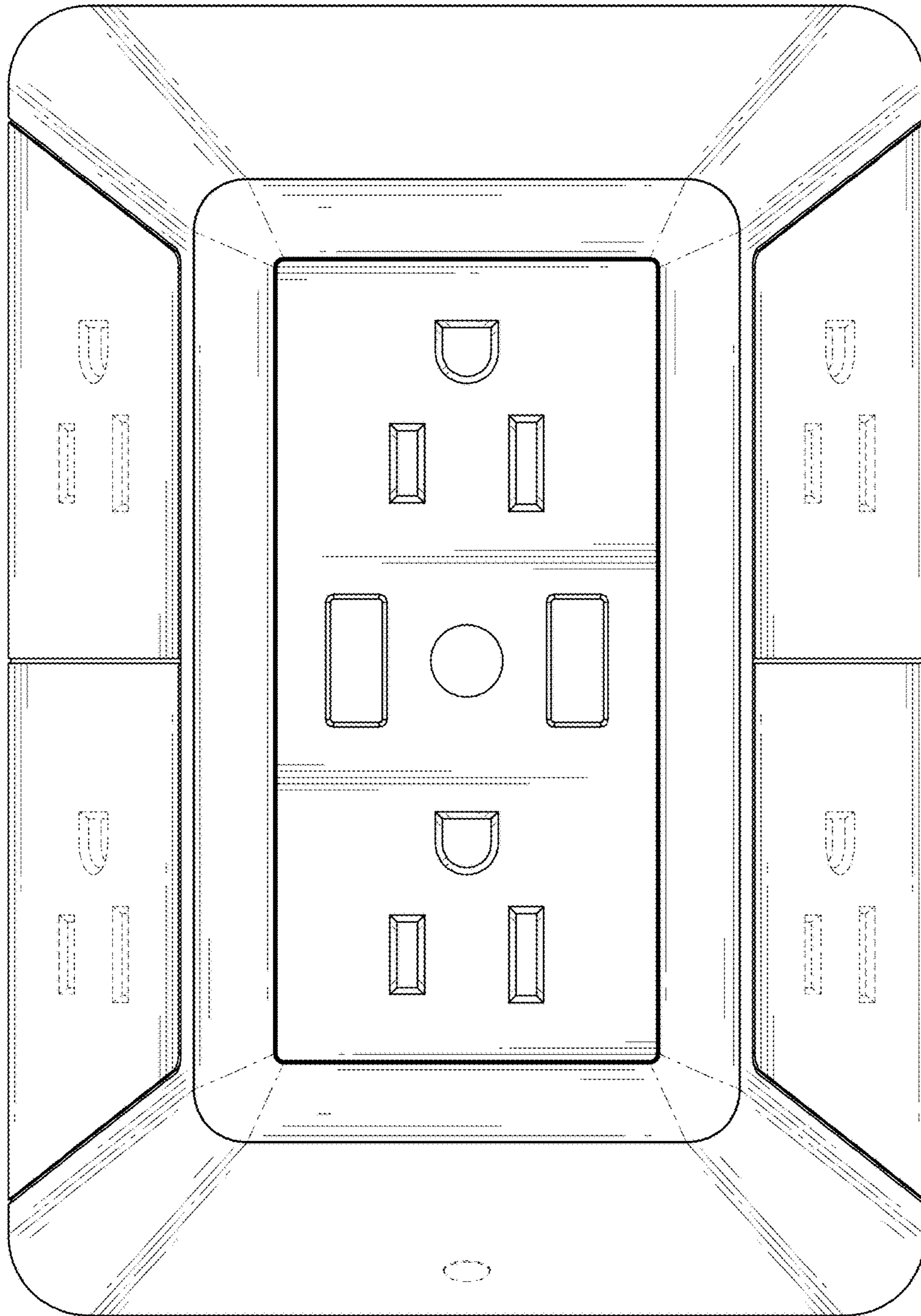


FIG. 3

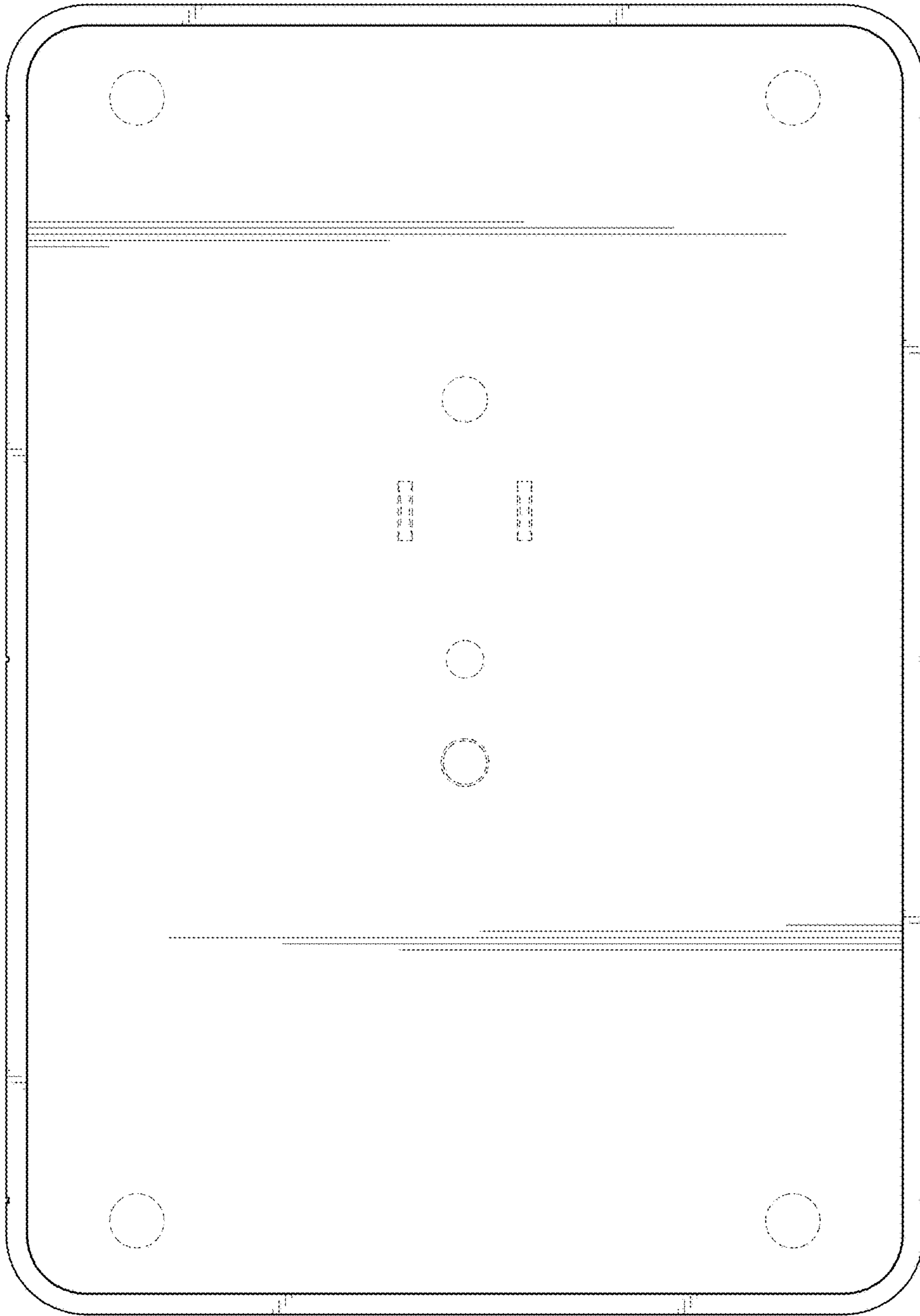


FIG. 4

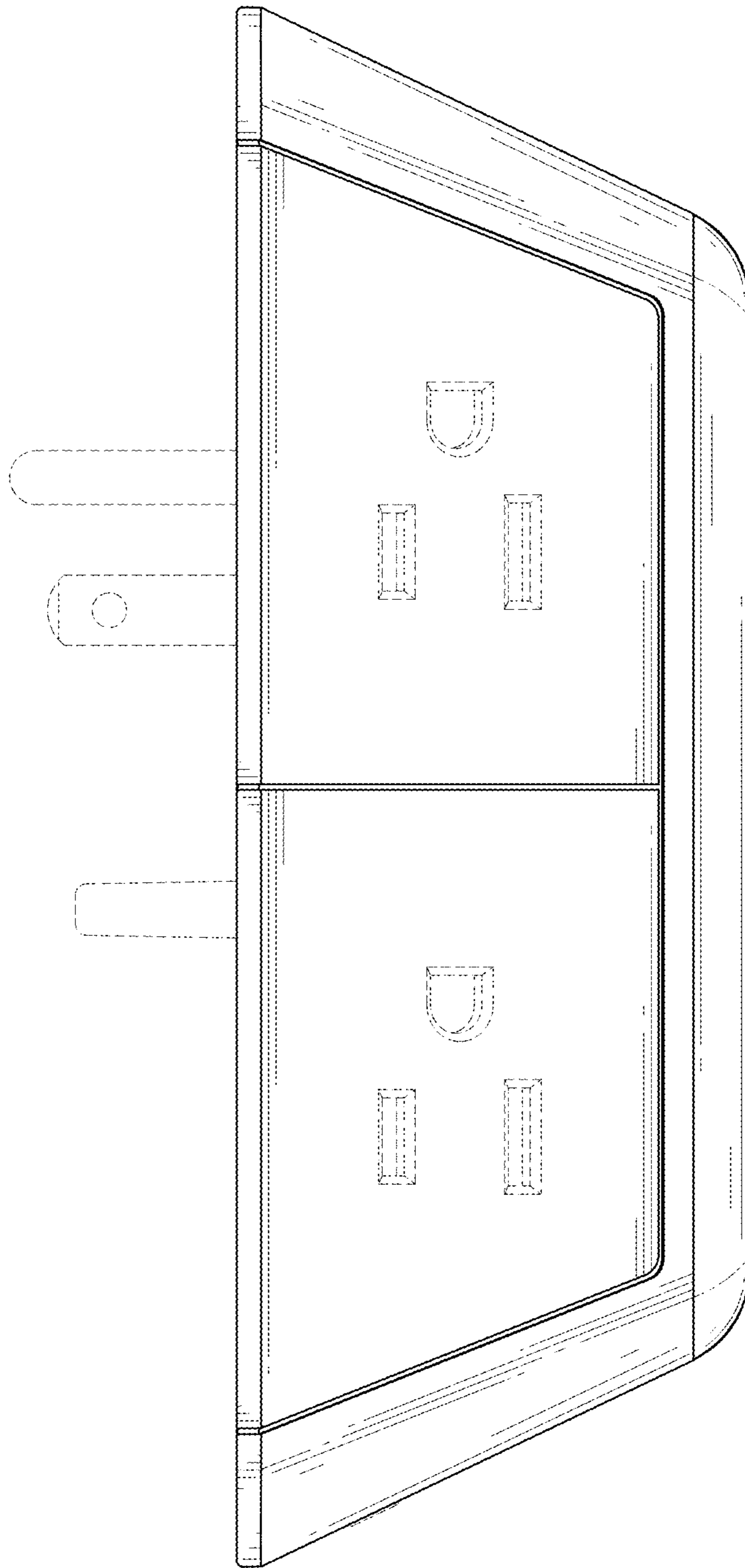


FIG. 5

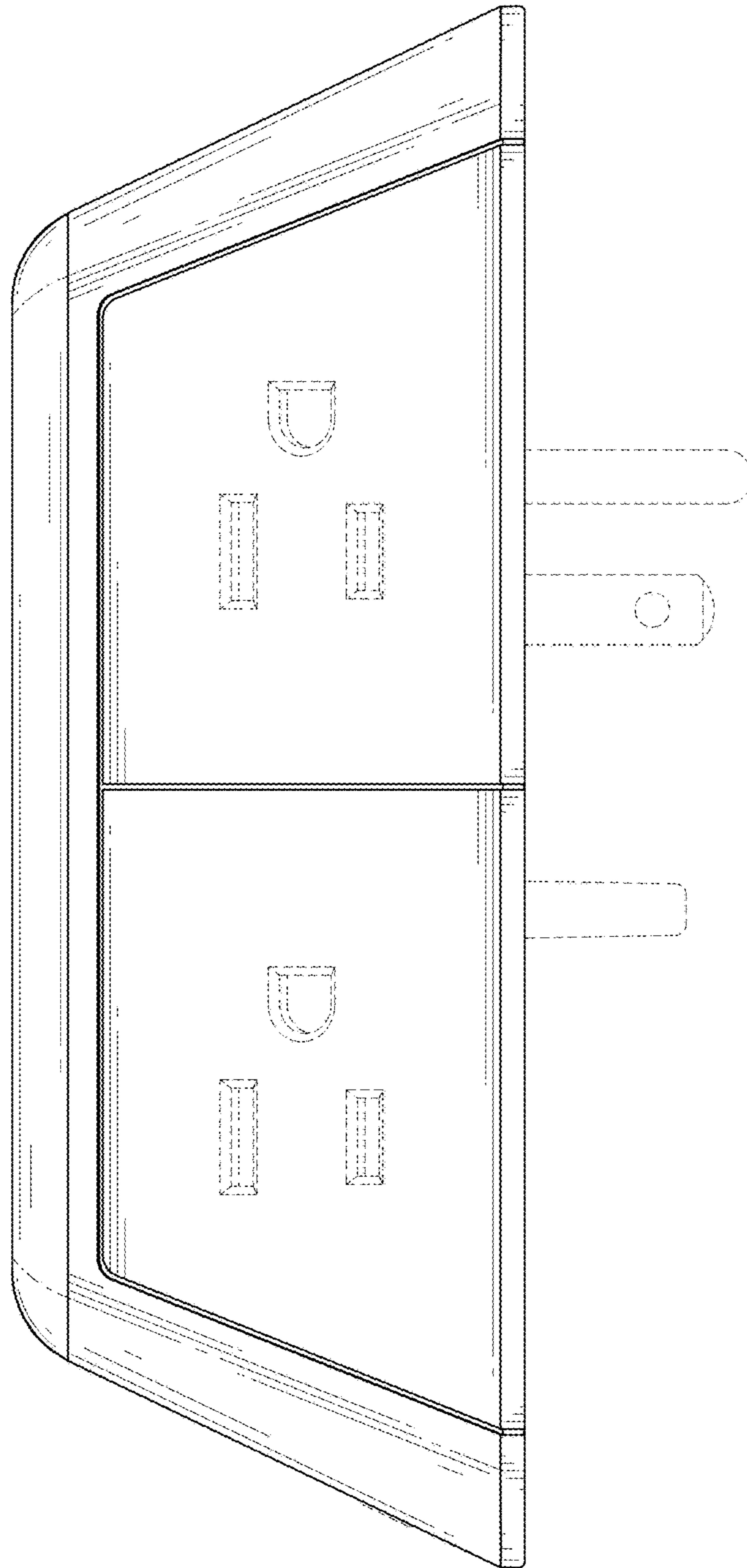


FIG. 6

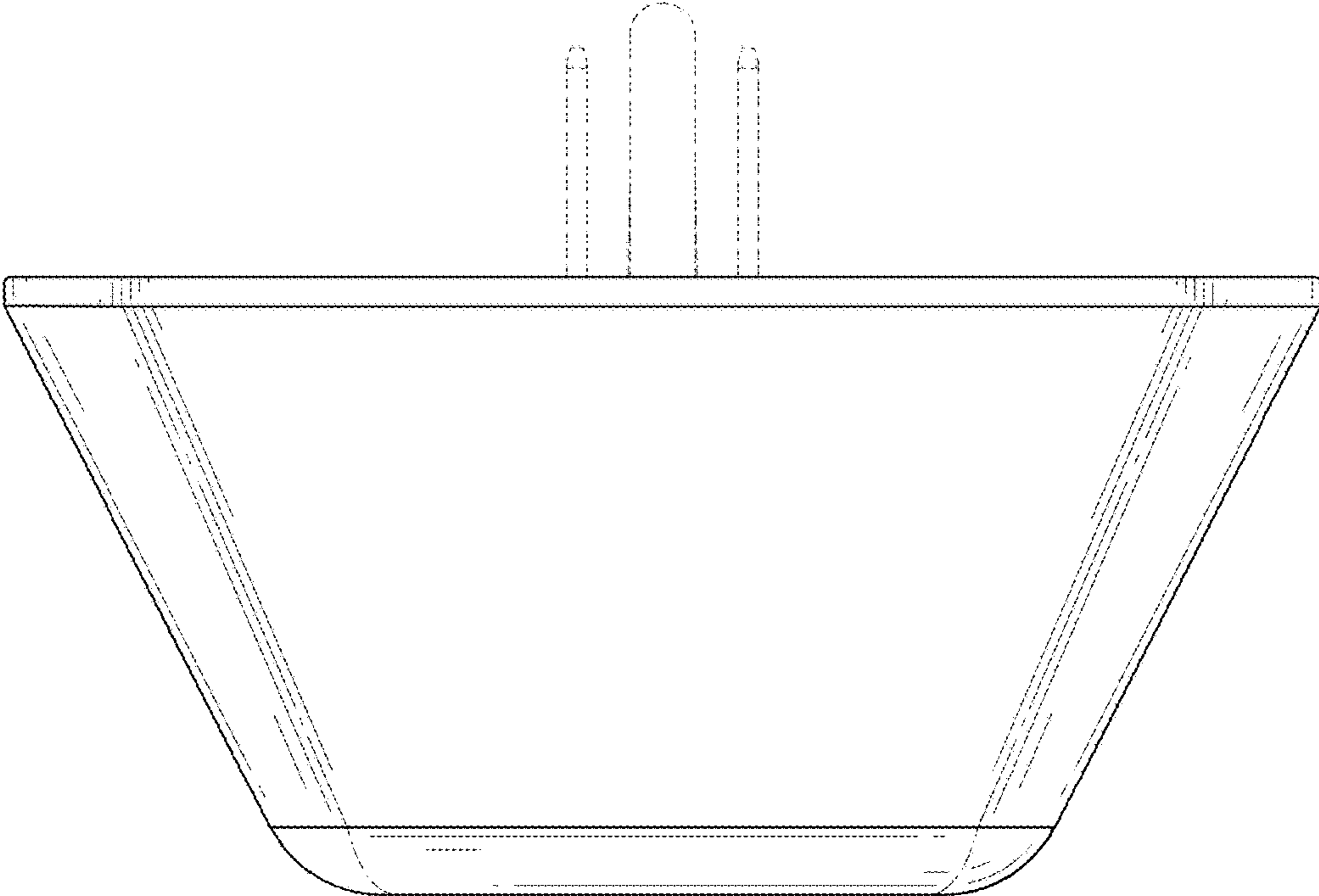


FIG. 7

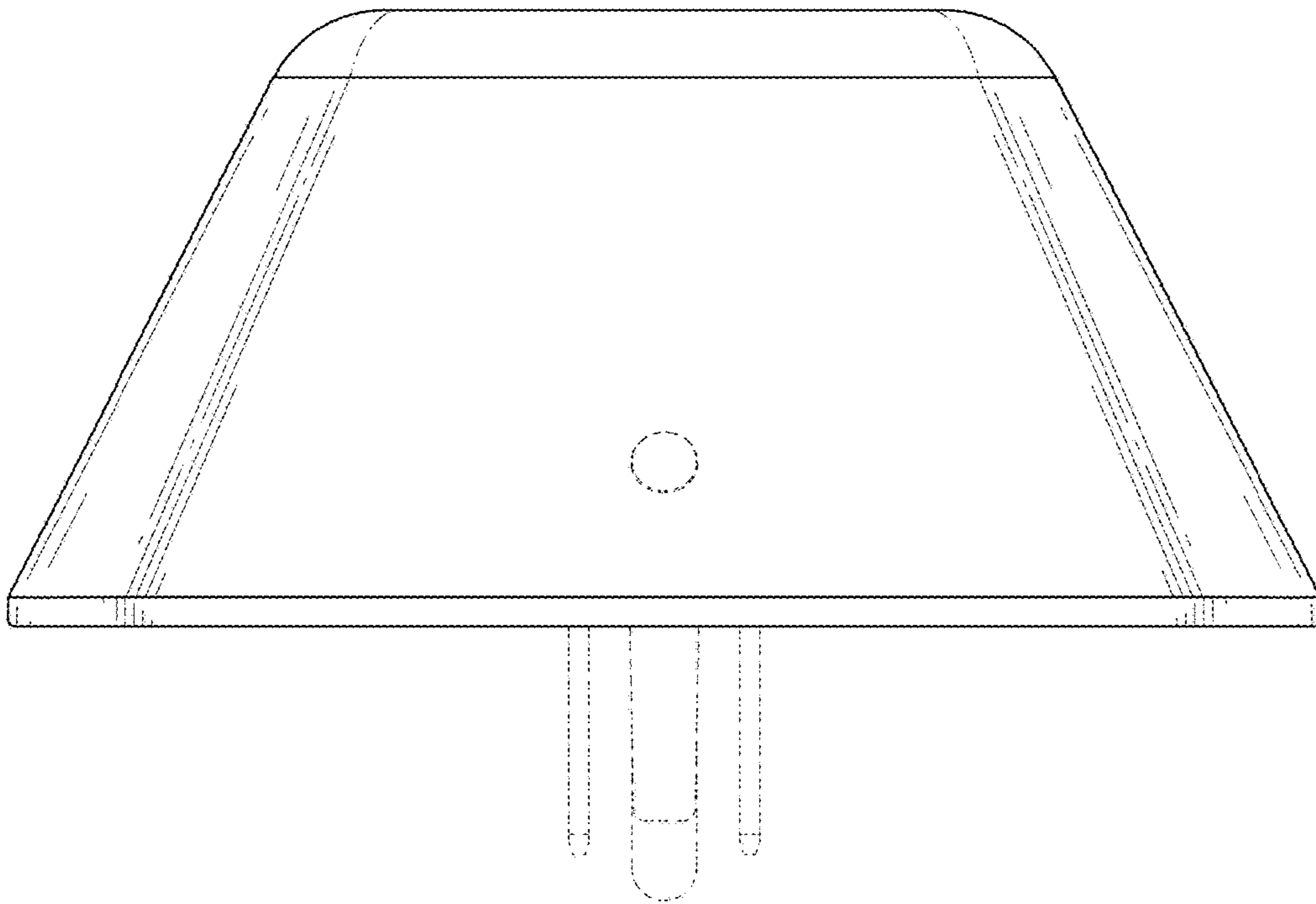


FIG. 8