



US00D814419S

(12) **United States Design Patent**
Yanase et al.

(10) **Patent No.:** **US D814,419 S**

(45) **Date of Patent:** **** Apr. 3, 2018**

(54) **ELECTRIC CONNECTOR**

(71) Applicant: **SMK Corporation**, Tokyo (JP)

(72) Inventors: **Tomoyasu Yanase**, Tokyo (JP); **Kiyoshi Asai**, Kanagawa (JP)

(73) Assignee: **SMK Corporation**, Tokyo (JP)

(**) Term: **15 Years**

(21) Appl. No.: **29/606,969**

(22) Filed: **Jun. 9, 2017**

(30) **Foreign Application Priority Data**

Dec. 13, 2016 (JP) 2016-027024

(51) **LOC (11) Cl.** **13-03**

(52) **U.S. Cl.**
USPC **D13/133**

(58) **Field of Classification Search**
USPC D13/118–123, 133, 146, 147, 149,
D13/154–156, 161, 173, 178, 184, 199
CPC . H01R 4/24; H01R 4/48; H01R 12/00; H01R
13/11; H01R 13/18; H01R 13/22; H01R
13/24; H01R 13/62; H01R 9/00; H01R
9/03; H01R 9/05; H01R 9/22; H01R
12/71; H01R 13/02; H01R 13/74; H05K
7/12; H05K 7/14

See application file for complete search history.

(56) **References Cited**

U.S. PATENT DOCUMENTS

D573,094 S * 7/2008 So D13/133
D643,368 S * 8/2011 Zhang D13/120

D762,581 S * 8/2016 Kang D13/133
2006/0051986 A1 * 3/2006 Asai H01R 13/2442
439/71
2006/0211310 A1 * 9/2006 Zinn H01R 13/11
439/857
2008/0293297 A1 * 11/2008 Wakamatsu H01R 4/028
439/581
2009/0042440 A1 * 2/2009 Michelmann H01R 24/46
439/578
2014/0326590 A1 * 11/2014 Li H01H 13/52
200/528
2017/0047683 A1 * 2/2017 Yanase H01R 13/6315
2017/0299545 A1 * 10/2017 Mostoller G01N 27/4166
2018/0010784 A1 * 1/2018 Kim F21V 31/005
2018/0026406 A1 * 1/2018 Kim H01R 13/74

* cited by examiner

Primary Examiner — Thomas Johannes

Assistant Examiner — Shawn T Gingrich

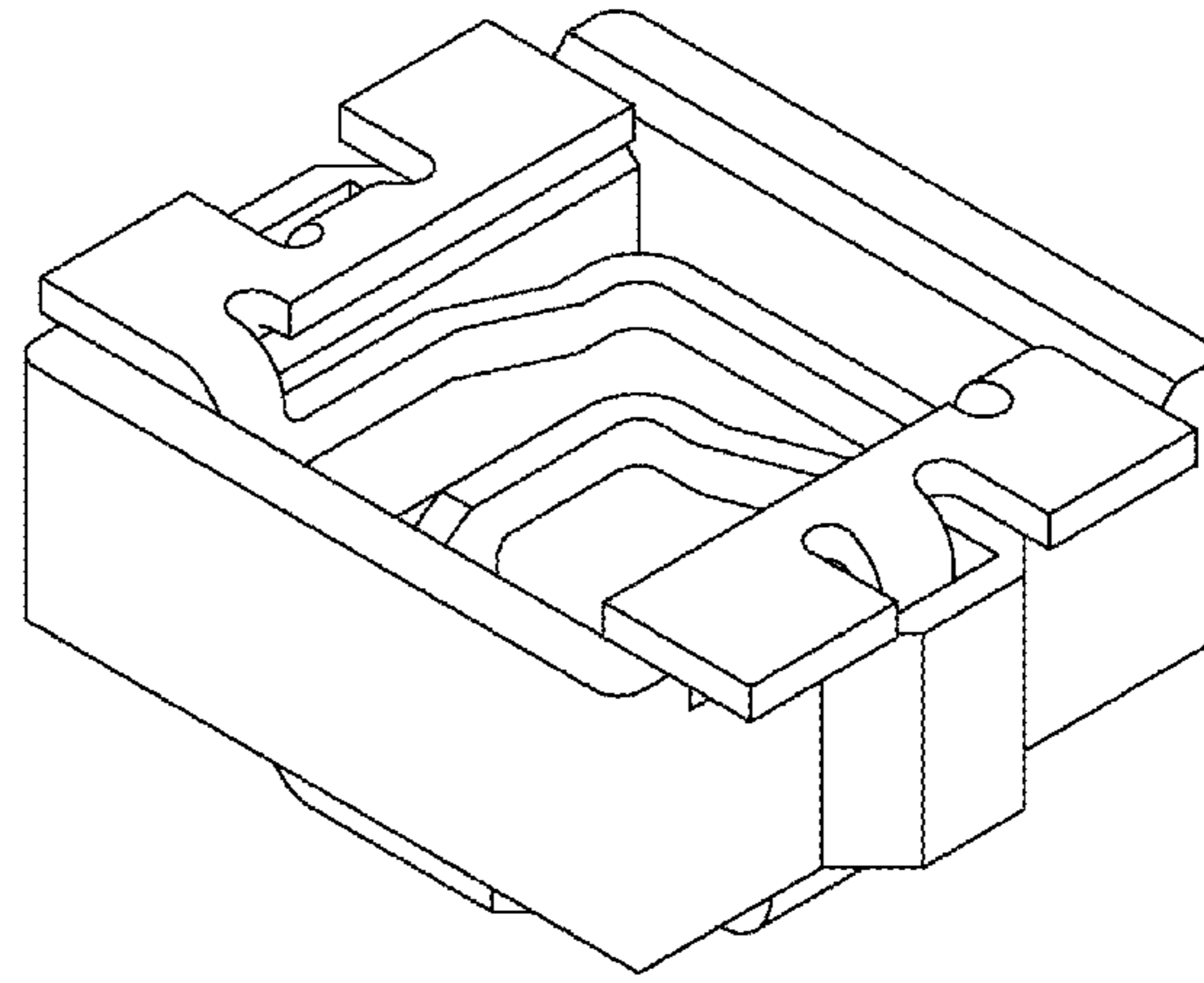
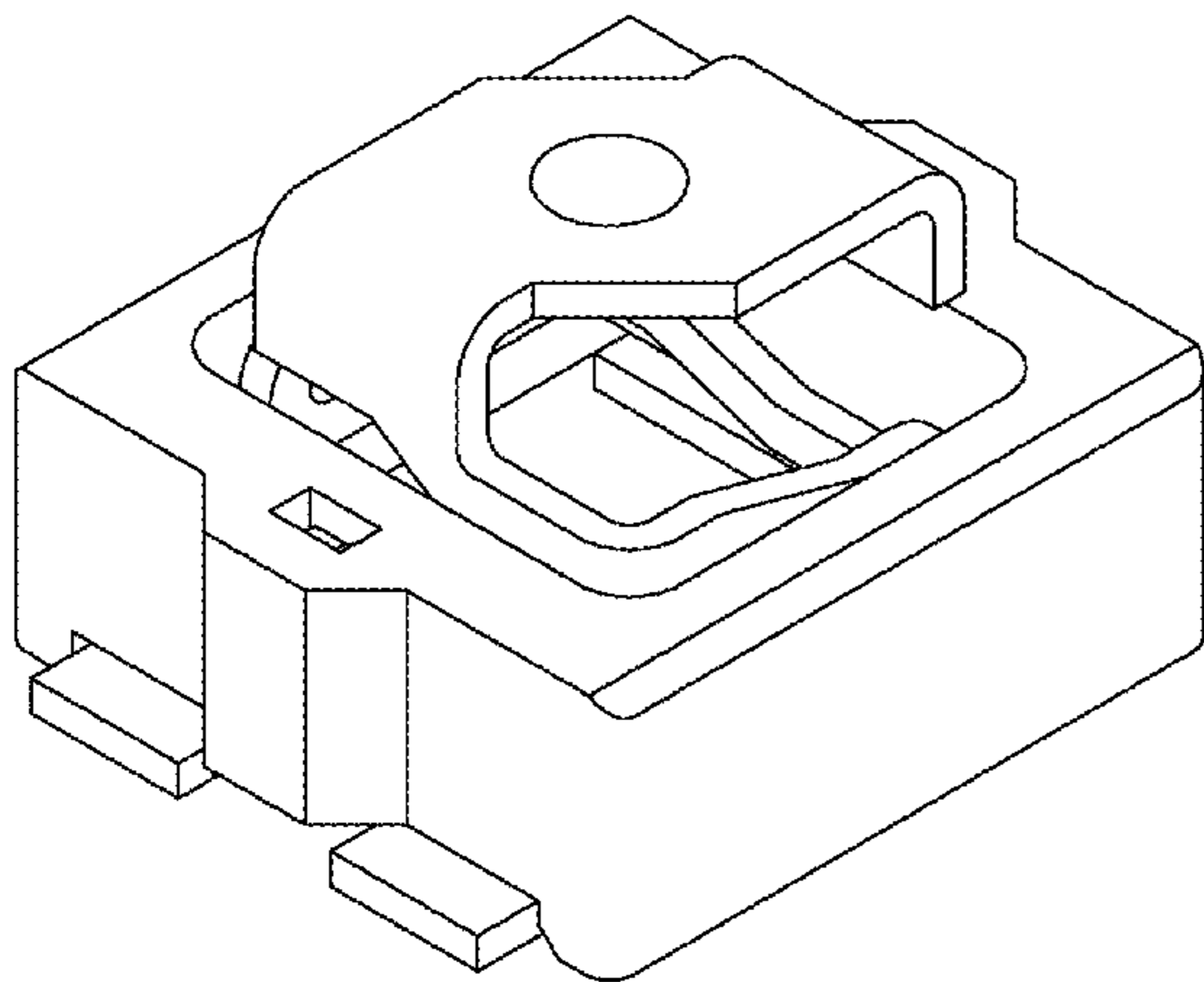
(57) **CLAIM**

The ornamental design for an electric connector, as shown and described.

DESCRIPTION

FIG. 1 is a 1st perspective view of an electric connector, showing our new design;
FIG. 2 is a 2nd perspective view thereof;
FIG. 3 is a front elevation thereof;
FIG. 4 is a rear elevation view thereof;
FIG. 5 is a 1st side view thereof;
FIG. 6 is a 2nd side view thereof; and,
FIG. 7 is a top plan view thereof.

1 Claim, 7 Drawing Sheets



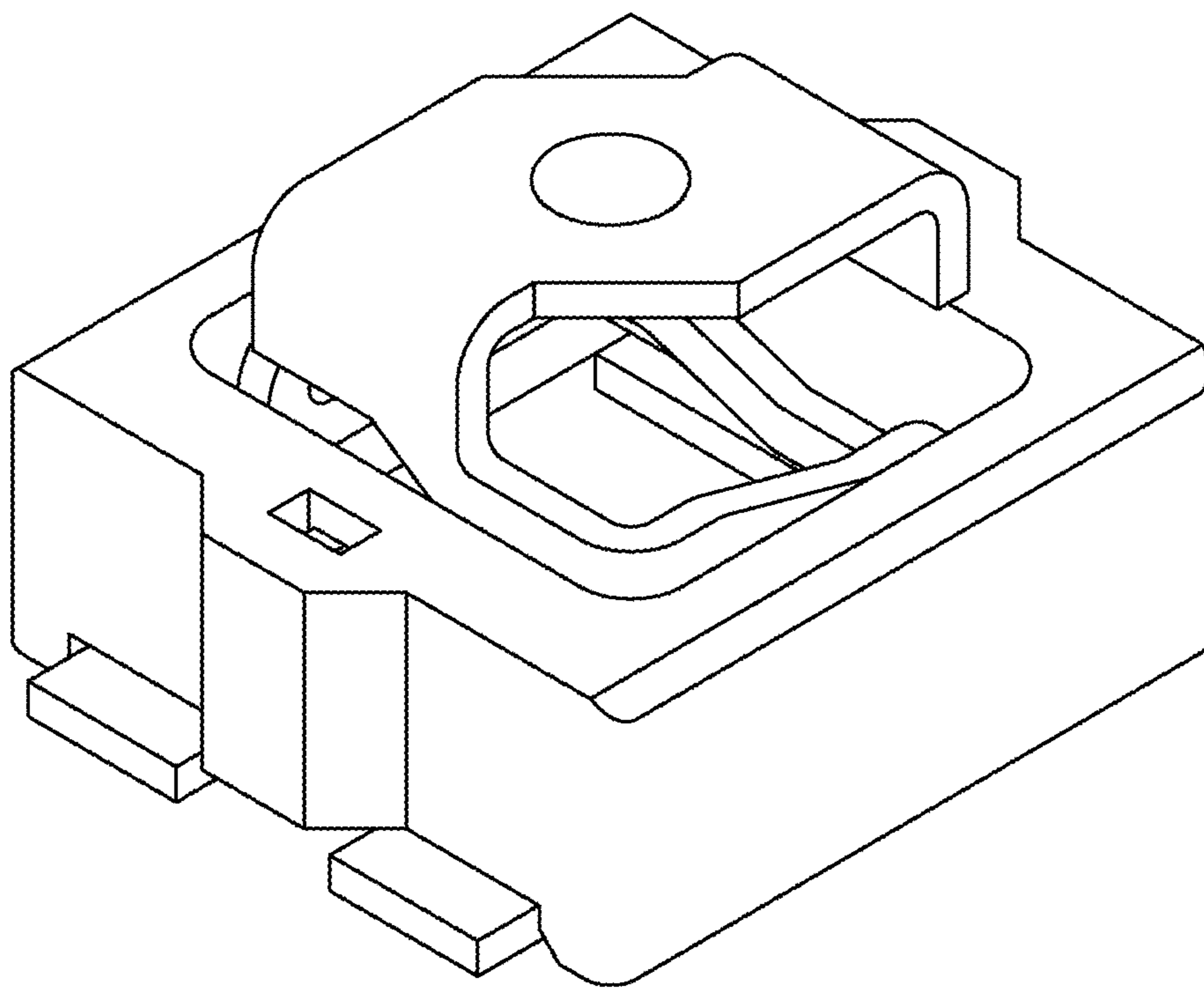


Fig. 1

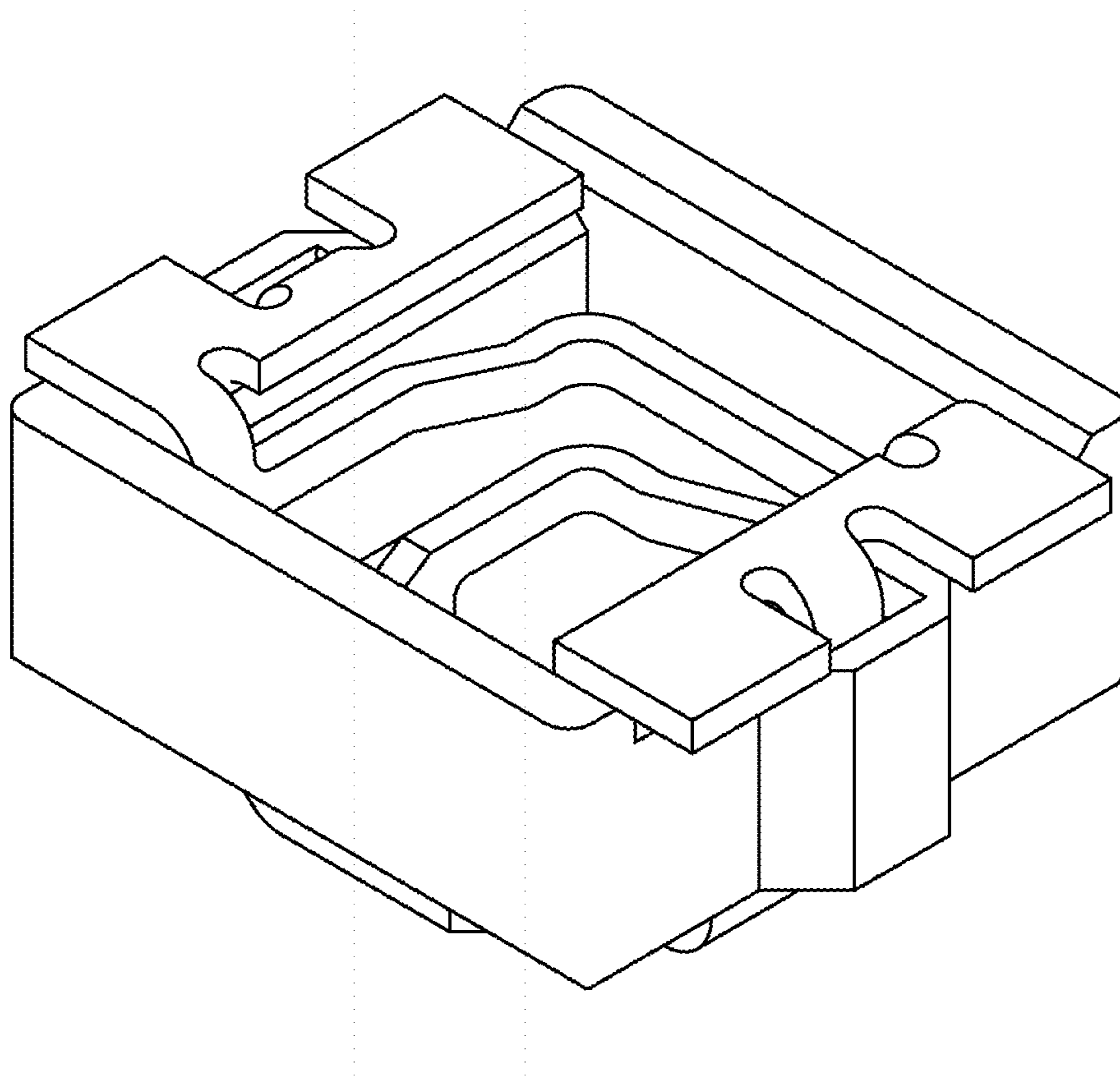


Fig. 2

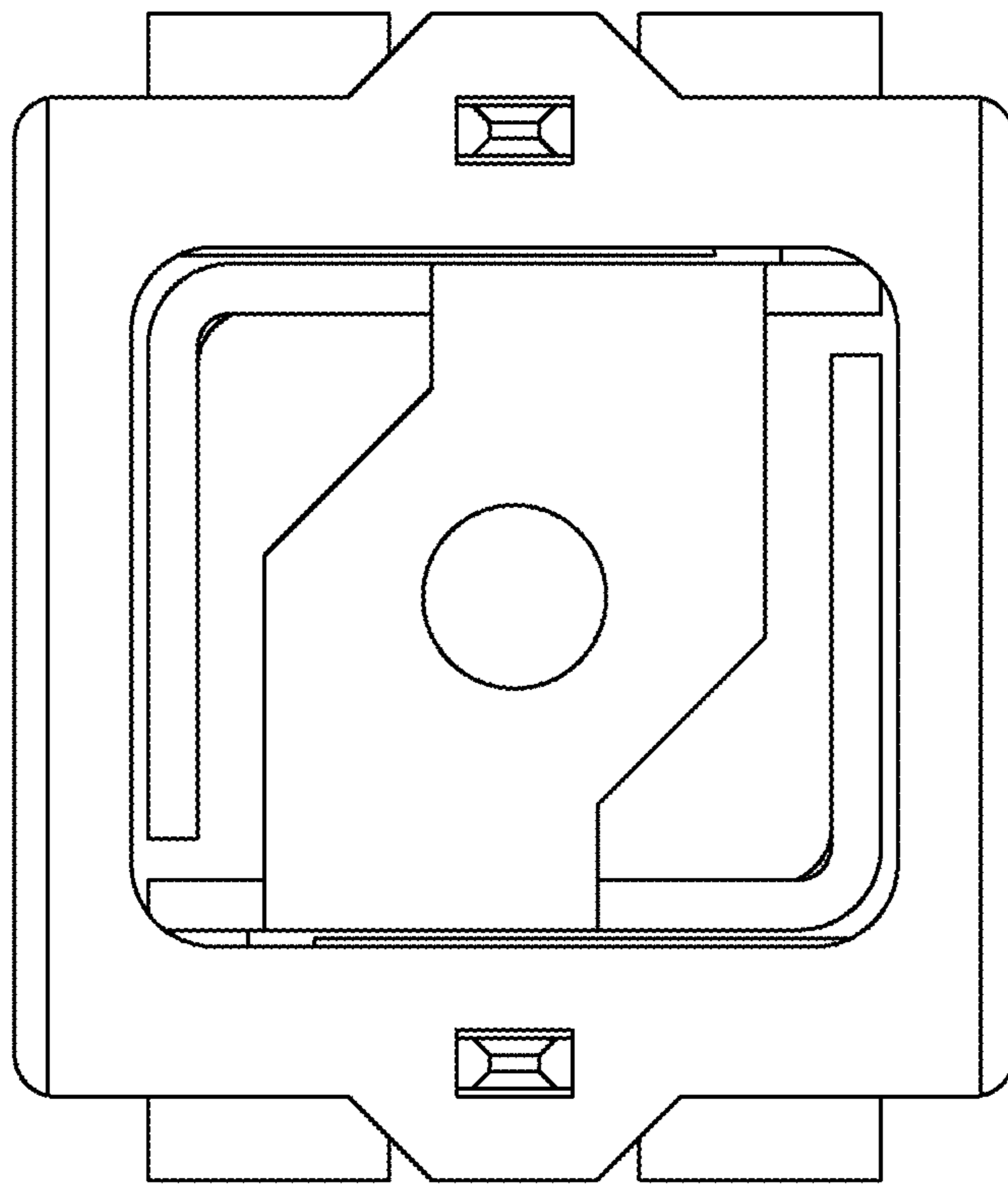


Fig. 3

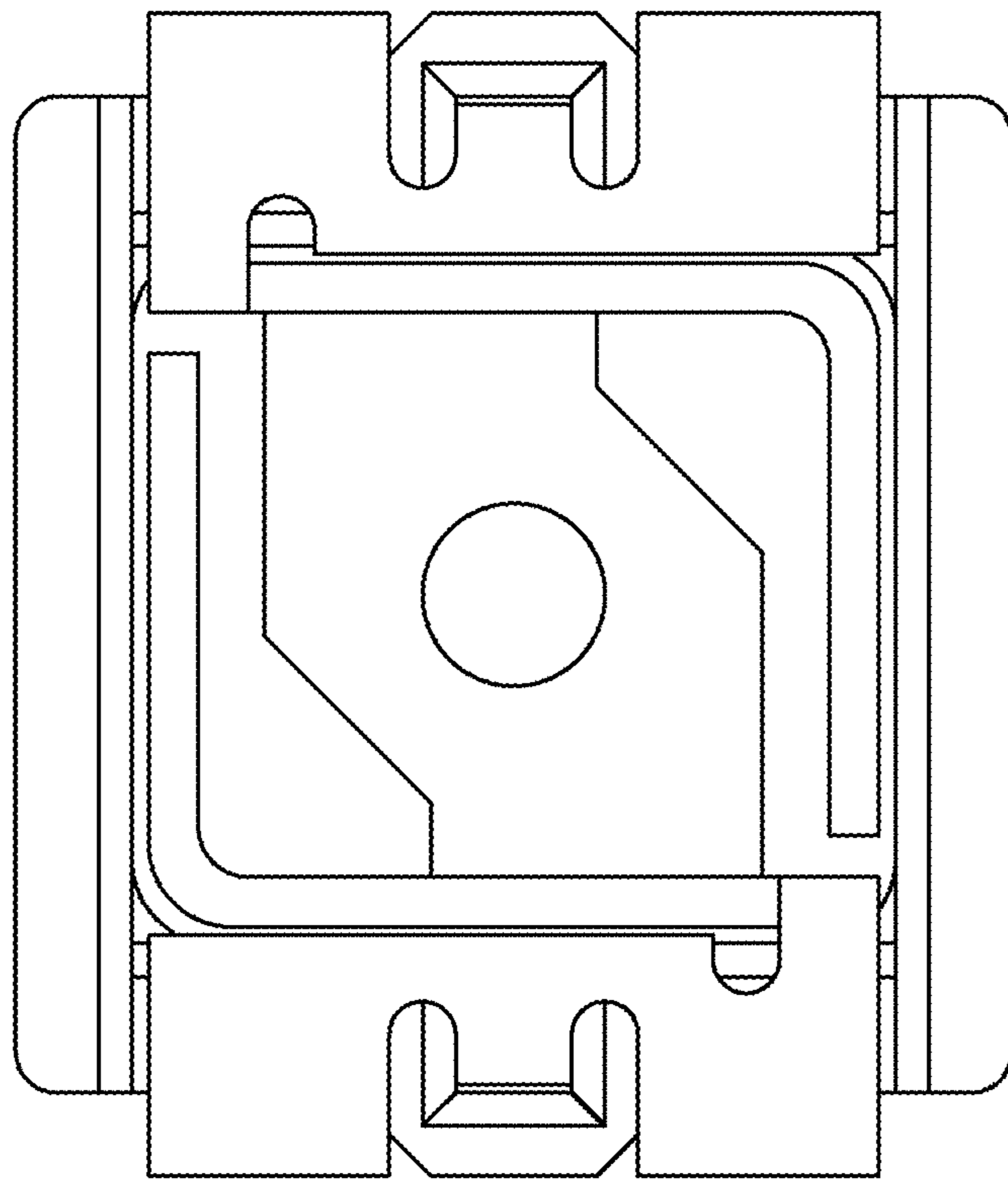


Fig. 4

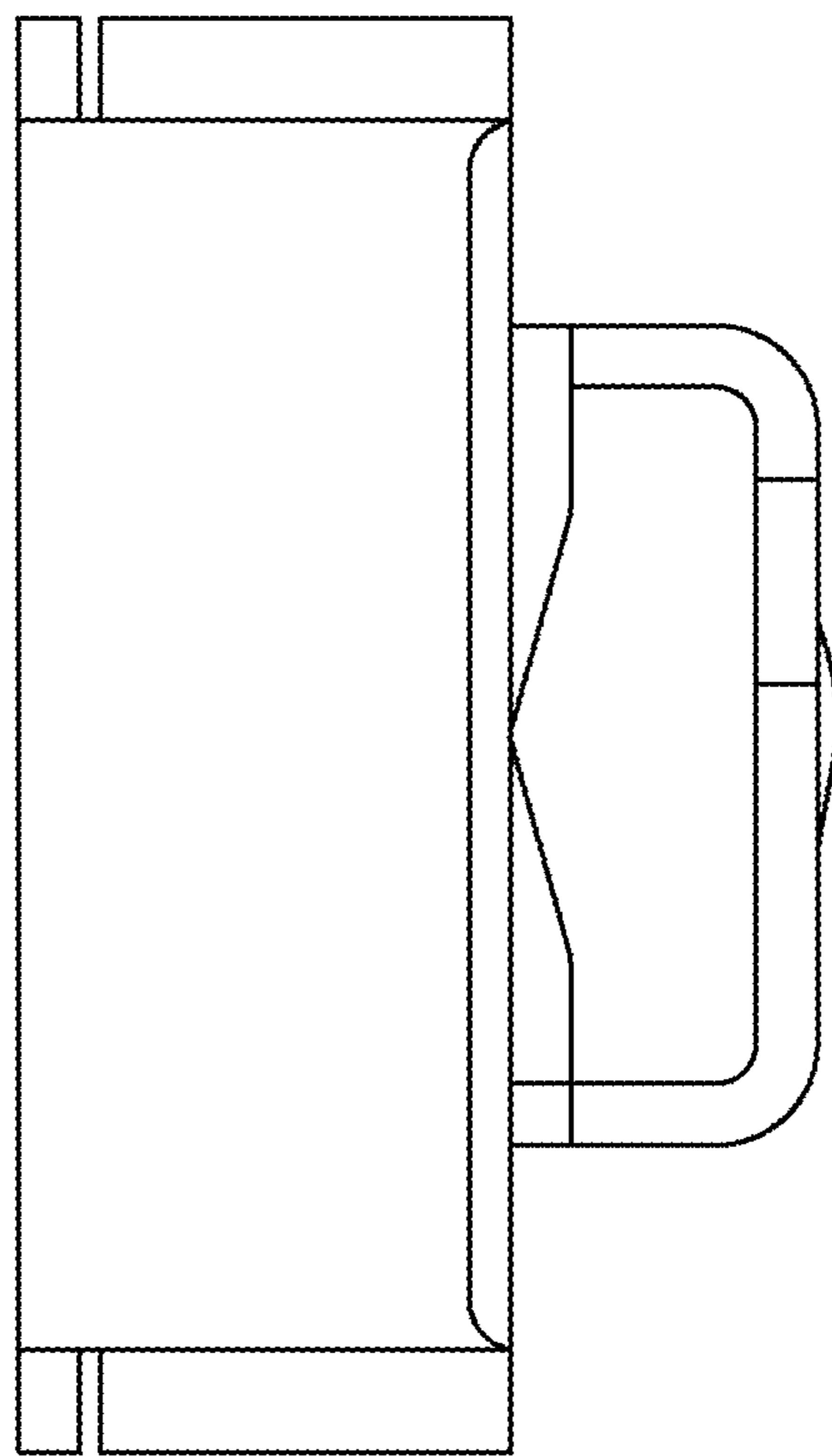


Fig. 5

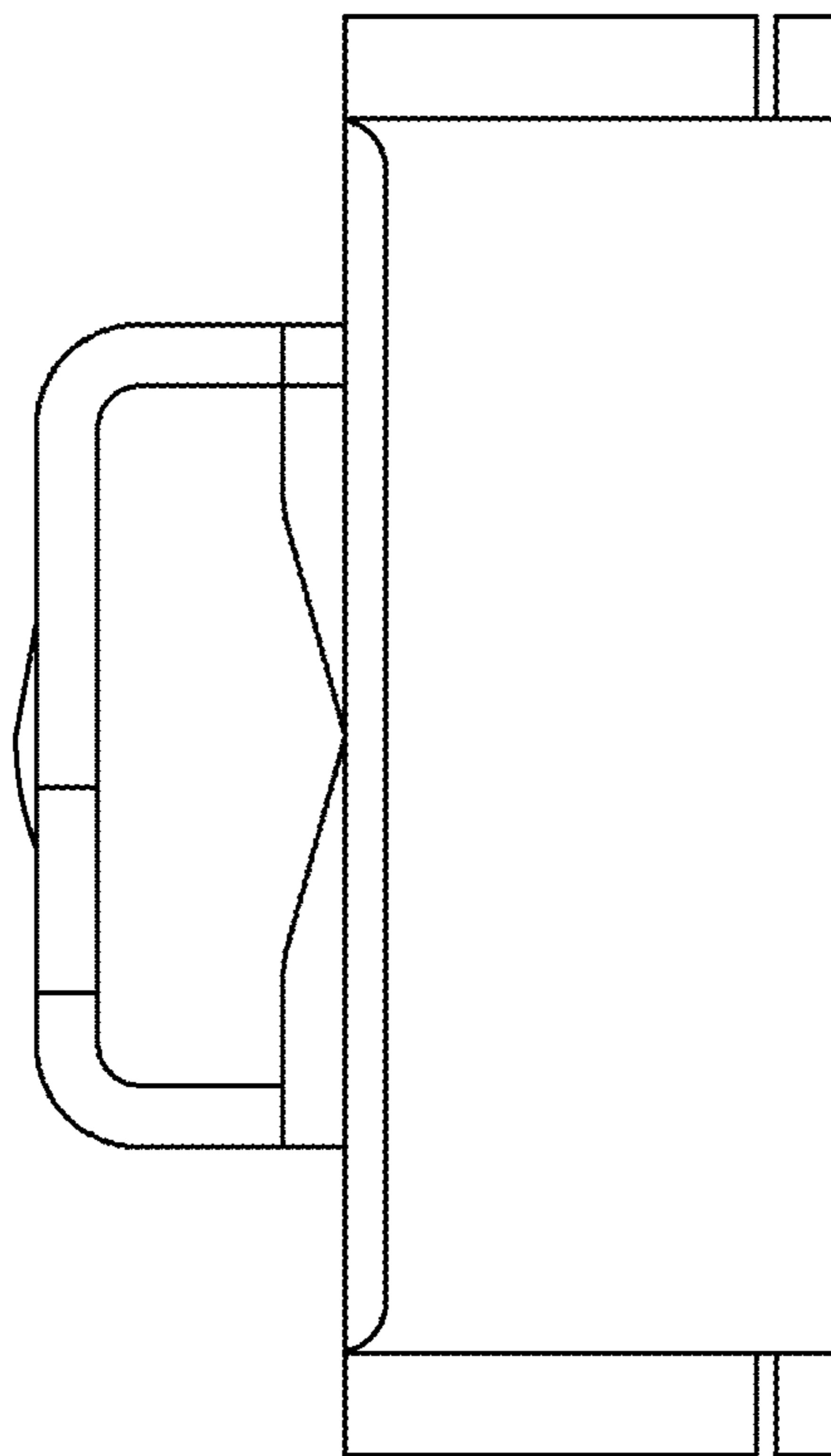


Fig. 6

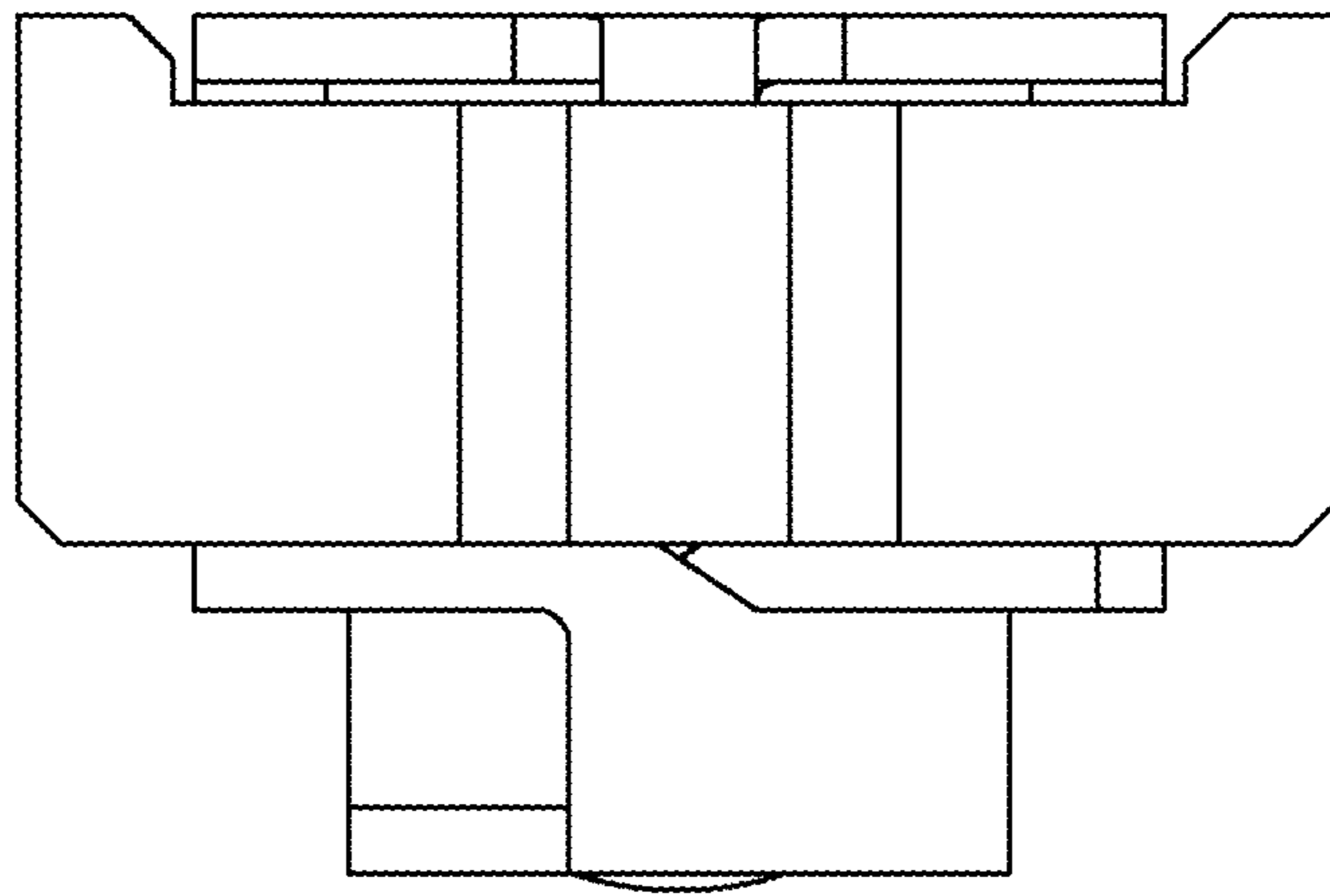


Fig. 7