



US00D814418S

(12) **United States Design Patent**
Kawakami et al.

(10) **Patent No.:** **US D814,418 S**
(45) **Date of Patent:** **** Apr. 3, 2018**

(54) **ELECTRICAL CONNECTOR**
(71) Applicant: **Hosiden Corporation**, Yao-shi, Osaka (JP)
(72) Inventors: **Yuta Kawakami**, Yao (JP); **Takayuki Nagata**, Yao (JP)
(73) Assignee: **HOSIDEN CORPORATION**, Yao-Shi (JP)

7,014,503 B1 * 3/2006 Wang H01R 24/005
439/541.5
7,137,825 B2 * 11/2006 Myer H01R 23/6873
439/579
7,156,668 B1 * 1/2007 Gherardini H01R 13/6658
439/325
7,632,148 B1 * 12/2009 Kawamura H01R 13/5221
439/607.41
9,559,467 B1 * 1/2017 Khorrami H01R 13/62933
2009/0197469 A1 * 8/2009 Huang H01R 13/7033
439/620.03

(**) Term: **15 Years**

(Continued)

(21) Appl. No.: **29/581,442**

OTHER PUBLICATIONS

(22) Filed: **Oct. 19, 2016**

HiseNook 5 Kit, posted at Amazon.com, posted on Nov. 29, 2014, [online], [site visited Sep. 23, 2017]. Available from Internet, <<https://www.amazon.com/HiseNook-Waterproof-Electrical-Connector-Package/dp/B00MZVYB3O>>.*

(30) **Foreign Application Priority Data**

Apr. 22, 2016 (JP) 2016-008916

Primary Examiner — Mary Ann Calabrese

(51) **LOC (11) Cl.** **13-03**

Assistant Examiner — Catherine Ho

(52) **U.S. Cl.**
USPC **D13/133**

(74) *Attorney, Agent, or Firm* — Hankin, Hill & Clark LLP

(58) **Field of Classification Search**
USPC D8/356; D13/102, 133, 137.1, 139.1, D13/146, 147, 148, 149, 150, 151, 153, D13/154, 156, 160, 164, 184, 187, 199
CPC H01R 13/02; H01R 13/35; H01R 13/46; H01R 13/64; H01R 13/502; H01R 13/595; H01R 13/623; H01R 13/625; H01R 13/648; H01R 13/658; H01R 13/6581; H01R 13/659; H01R 13/703; H01R 4/22; H01R 27/02
See application file for complete search history.

(57) **CLAIM**

The ornamental design for an electrical connector, as shown and described.

(56) **References Cited**

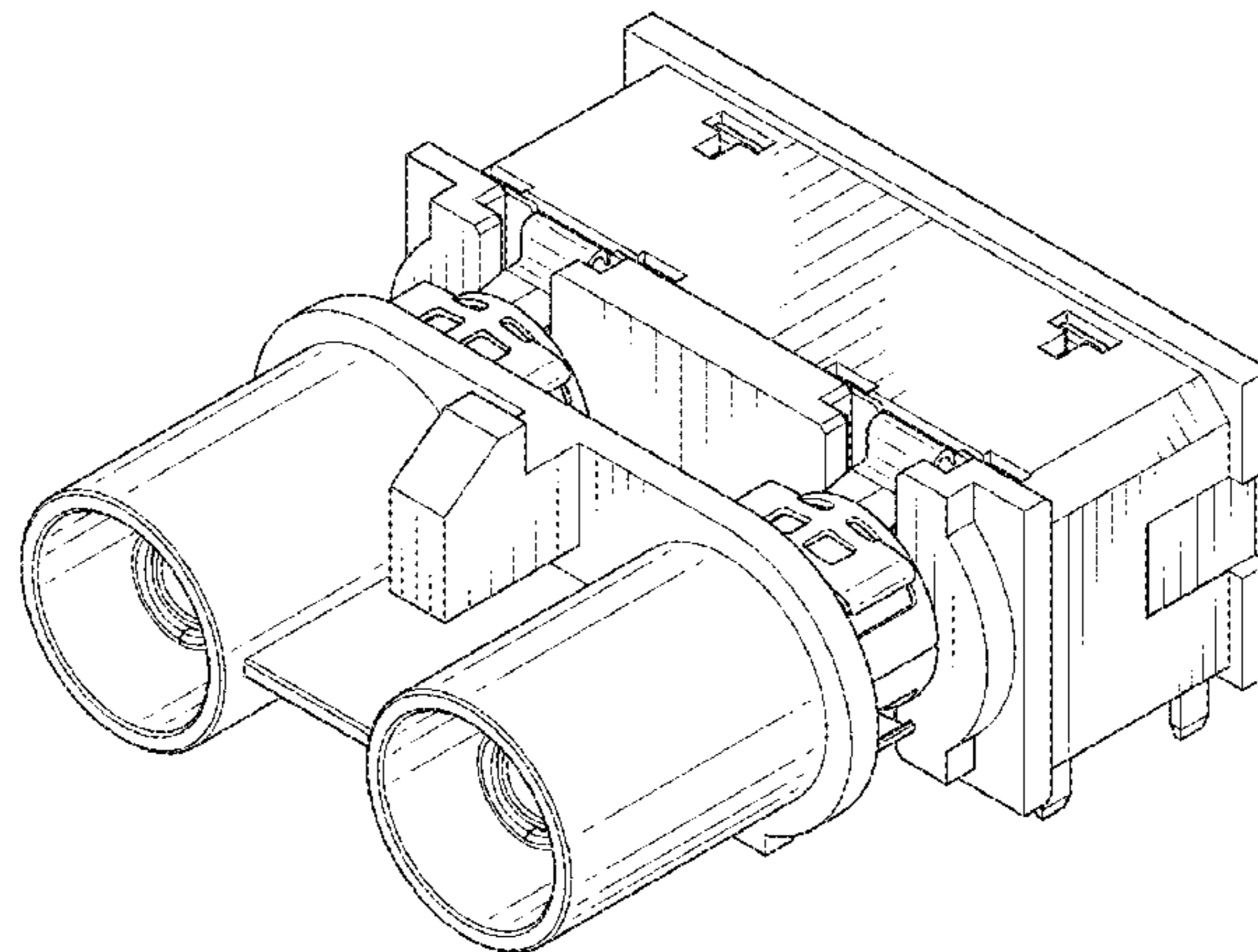
DESCRIPTION

U.S. PATENT DOCUMENTS

3,179,915 A * 4/1965 Klassen H01R 24/70
439/564
D314,941 S * 2/1991 Amachi D13/133
6,074,218 A * 6/2000 Wu H01R 24/58
439/607.01
6,575,761 B1 * 6/2003 Regnier H01R 9/0515
439/108

FIG. 1 is a front, right side and top perspective view of an electrical connector, showing our new design;
FIG. 2 is a front elevation view thereof;
FIG. 3 is a rear elevation view thereof;
FIG. 4 is a left side view thereof, the right side view being a mirror image thereof;
FIG. 5 is a top plan view thereof; and,
FIG. 6 is a bottom plan view thereof.
The broken line portion of the drawings is included to show portions of the article that form no part of the claimed design.

1 Claim, 3 Drawing Sheets



(56)

References Cited

U.S. PATENT DOCUMENTS

2010/0291804 A1* 11/2010 Zhang H01R 43/24
439/660
2011/0003512 A1* 1/2011 Bower H01R 13/642
439/627
2011/0014821 A1* 1/2011 Ko H01R 9/03
439/733.1

* cited by examiner

Fig.1

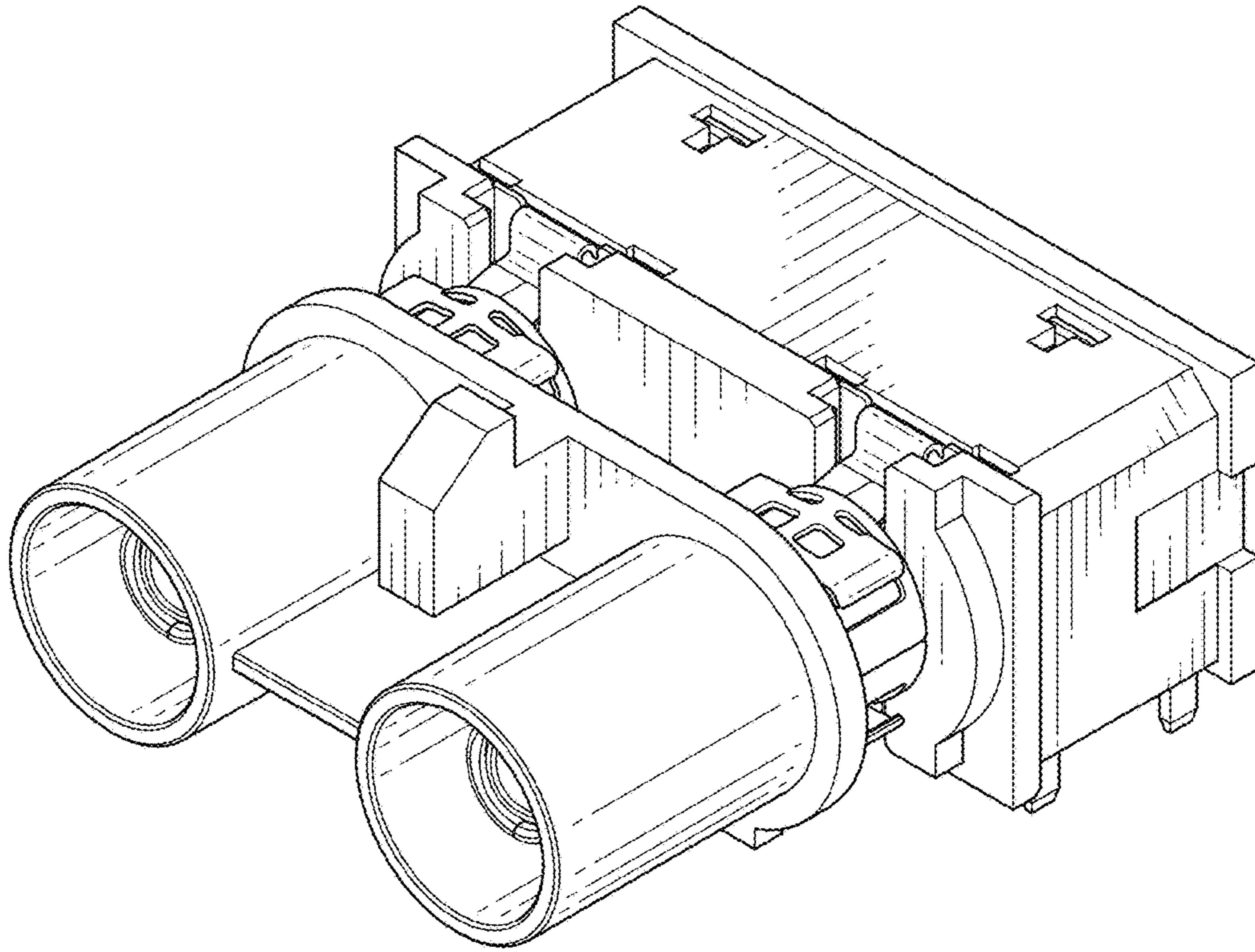


Fig.2

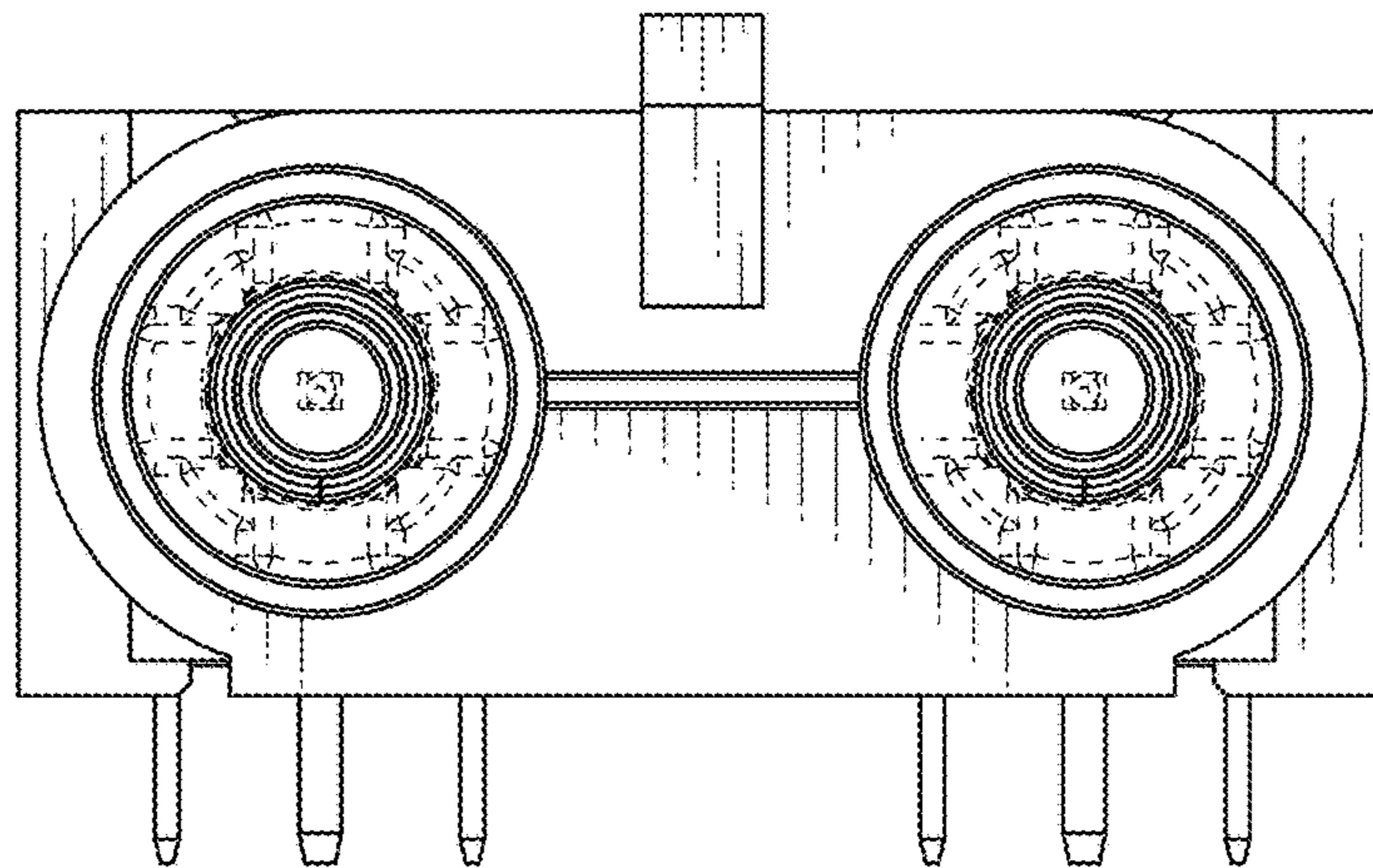


Fig.3

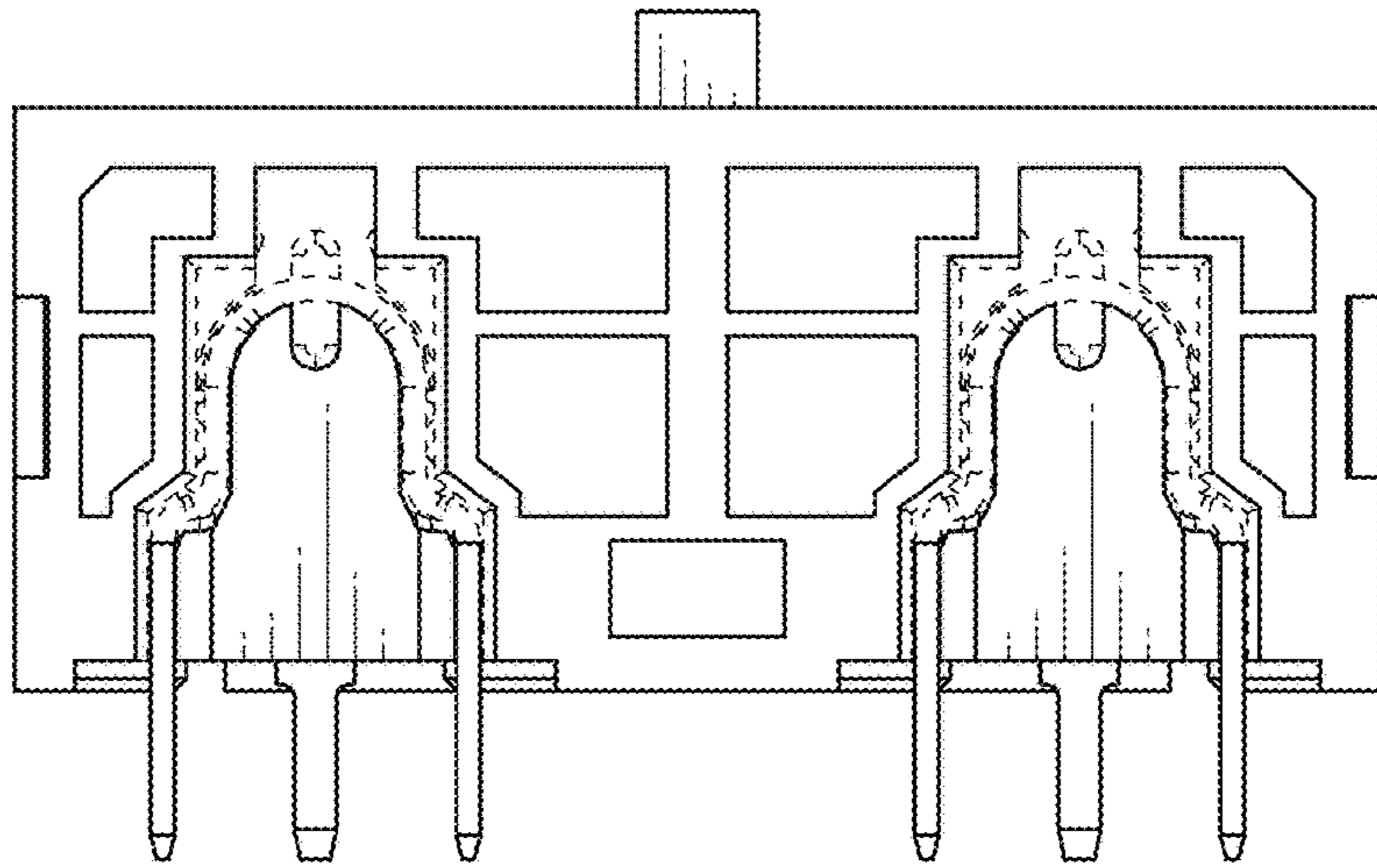


Fig.4

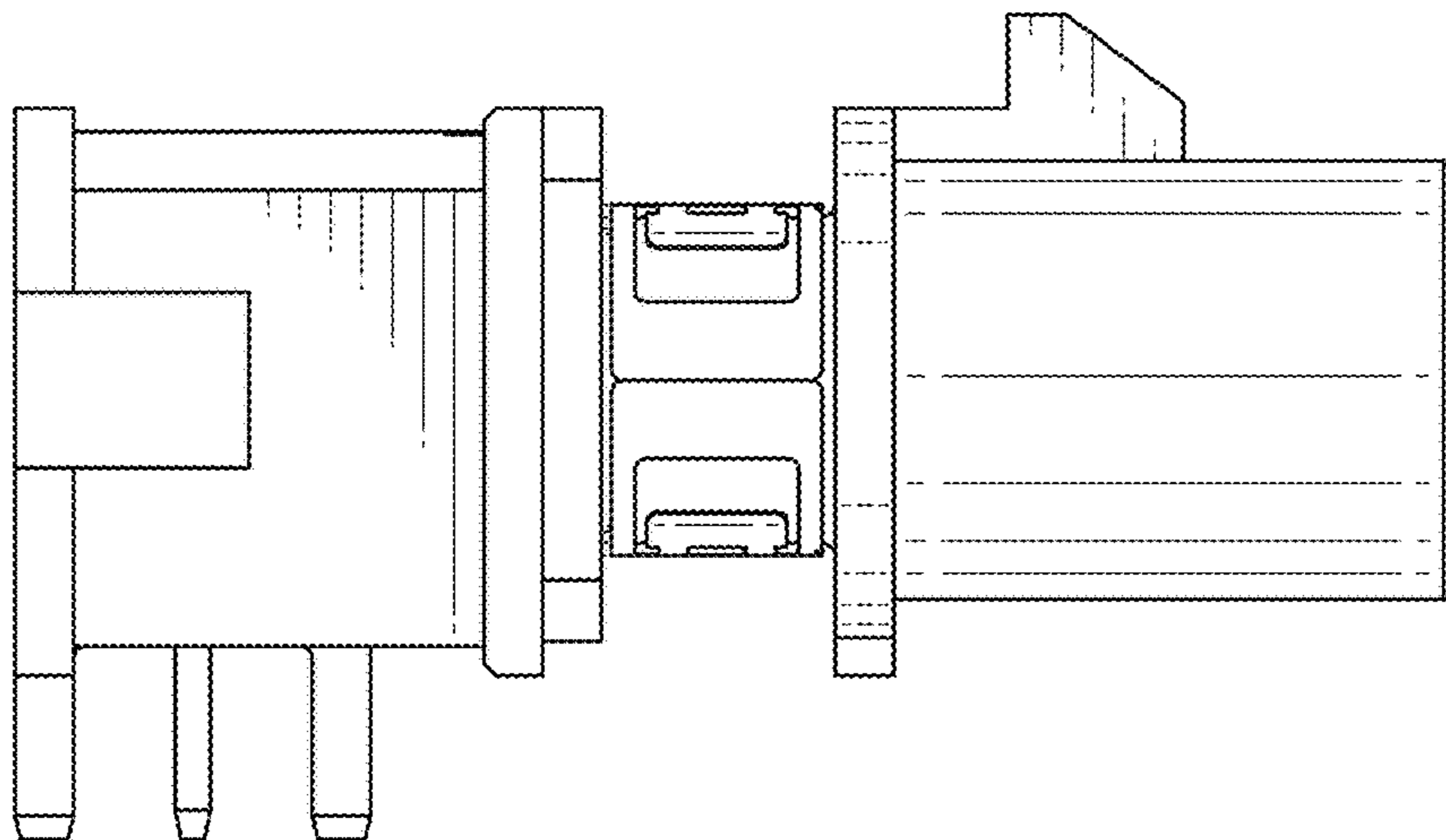


Fig.5

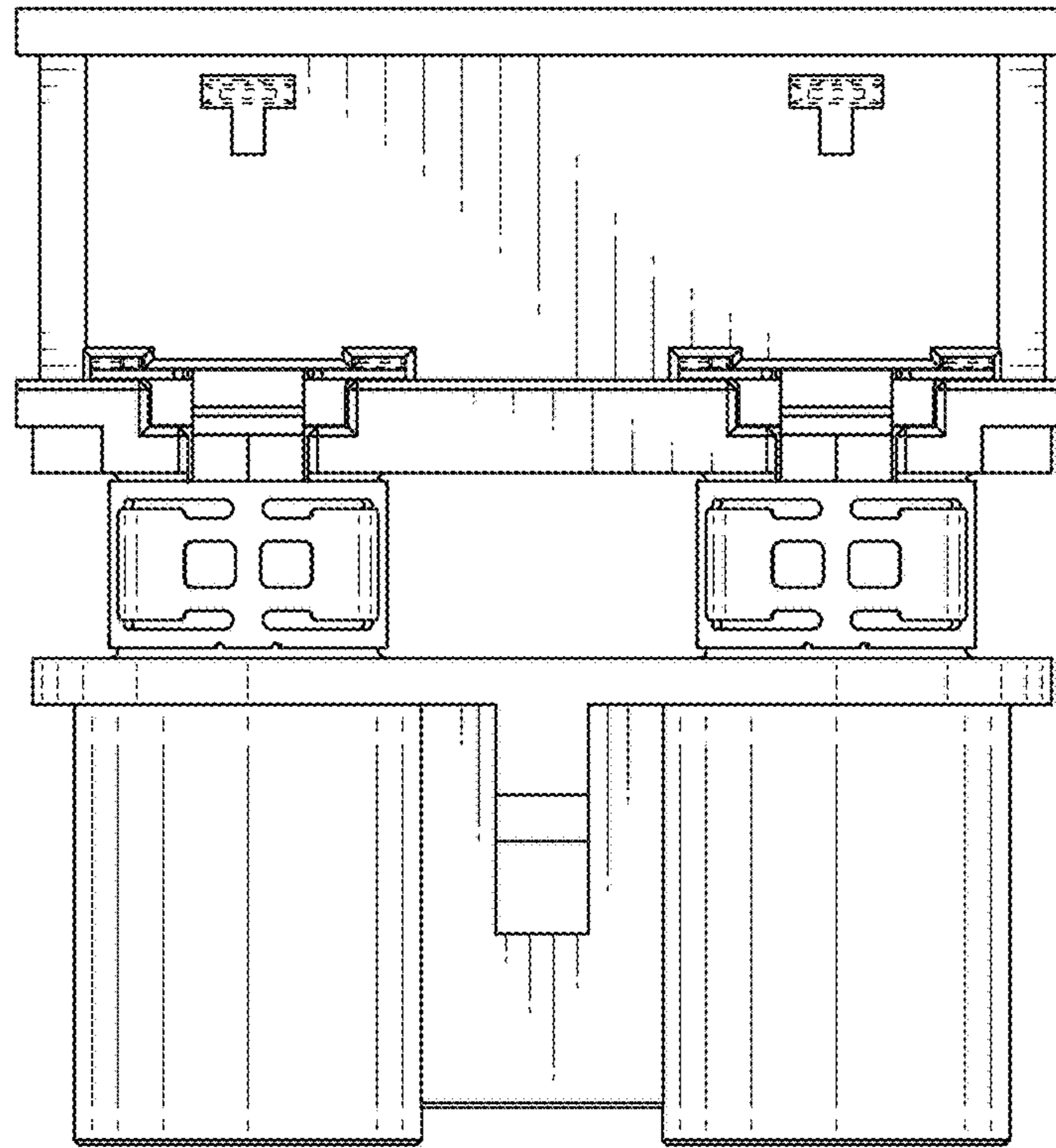


Fig.6

