



US00D814417S

(12) **United States Design Patent**
Hickey et al.

(10) **Patent No.:** **US D814,417 S**
(45) **Date of Patent:** **** Apr. 3, 2018**

- (54) **ELEMENT OF A MODULAR BATTERY COVER**
- (71) Applicant: **Artisan Vehicle Systems Inc.,**
Camarillo, CA (US)
- (72) Inventors: **Kyle Hickey, Moorpark, CA (US);**
Brian R. Huff, Newbury Park, CA (US)
- (73) Assignee: **ARTISAN VEHICLE SYSTEMS, INC.,**
Camarillo, CA (US)
- (**) Term: **15 Years**
- (21) Appl. No.: **29/578,803**
- (22) Filed: **Sep. 23, 2016**
- (51) **LOC (11) Cl.** **13-02**
- (52) **U.S. Cl.**
USPC **D13/120**
- (58) **Field of Classification Search**
USPC D13/103-106, 110, 119-121, 184, 199;
429/96-100, 163, 176
CPC H01M 2/02; H01M 2/022; H01M 2/0202;
H01M 2/0207; H01M 2/0212; H01M 2/043;
H01M 2/1061; H01M 2/1022; H01M 2/1055;
H01M 2/1066; H01M 2/105; H01M 2/204
See application file for complete search history.

- 6,205,029 B1 * 3/2001 Byrne H05K 7/1457
174/68.2
- D464,618 S * 10/2002 Ando D13/110
- 6,629,737 B2 * 10/2003 Wiggins A47B 57/58
180/68.5
- D556,687 S * 12/2007 Miyamoto D13/119
- D636,727 S * 4/2011 Sakae D13/121
- D646,637 S * 10/2011 Sakae D13/120
- D673,907 S * 1/2013 Sano D13/103
- D674,750 S * 1/2013 Ito D13/120
- 9,153,810 B2 * 10/2015 Brisbane H01M 2/043
- 9,337,458 B2 * 5/2016 Kim H01M 2/1016
- 9,634,302 B2 * 4/2017 Aoki H01M 2/1016
- D799,439 S * 10/2017 Hayashiguchi D13/182
- 2014/0295227 A1 * 10/2014 Aoki H01M 2/1016
429/82
- 2017/0025665 A1 * 1/2017 Li H01M 2/043

* cited by examiner

Primary Examiner — Derrick Holland
Assistant Examiner — Jennifer O King
(74) *Attorney, Agent, or Firm* — Plumsea Law Group, LLC

(57) **CLAIM**

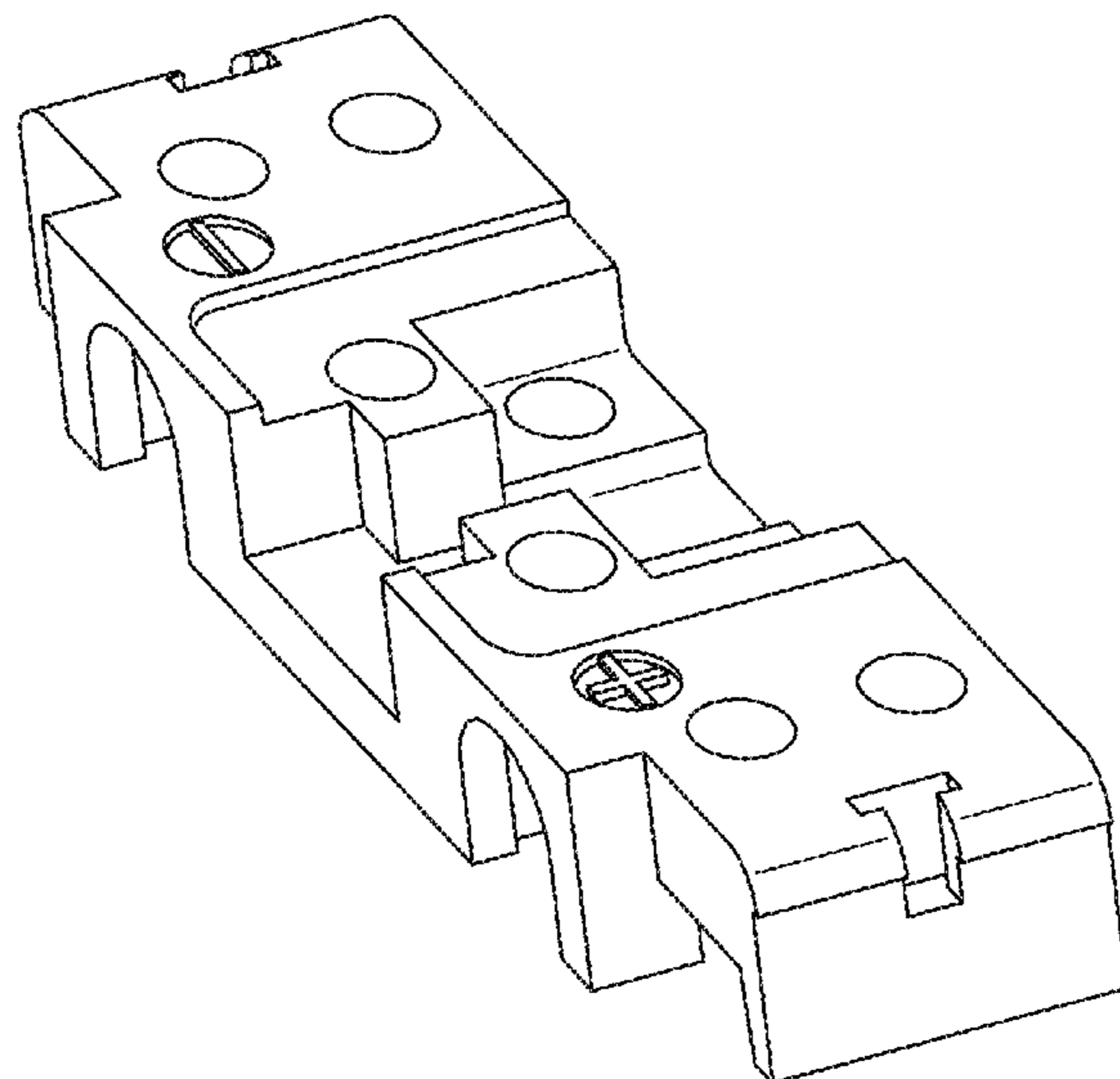
The ornamental design for an element of a modular battery cover, as shown and described.

DESCRIPTION

FIG. 1 is a perspective view of an element of a modular battery cover showing our new design; FIG. 2 is a perspective view of the underside thereof; FIG. 3 is a top plan view thereof; FIG. 4 is a perspective view thereof shown in use; and, FIG. 5 is a perspective view of the underside thereof shown in use. The broken lines shown represent environmental subject matter only and form no part of the claimed design.

1 Claim, 5 Drawing Sheets

- (56) **References Cited**
U.S. PATENT DOCUMENTS
4,020,244 A * 4/1977 Selinko H01M 2/1077
429/100
D303,108 S * 8/1989 Julian D13/120
D364,385 S * 11/1995 Shimizu D13/146
5,567,542 A * 10/1996 Bae H01M 2/1016
429/120



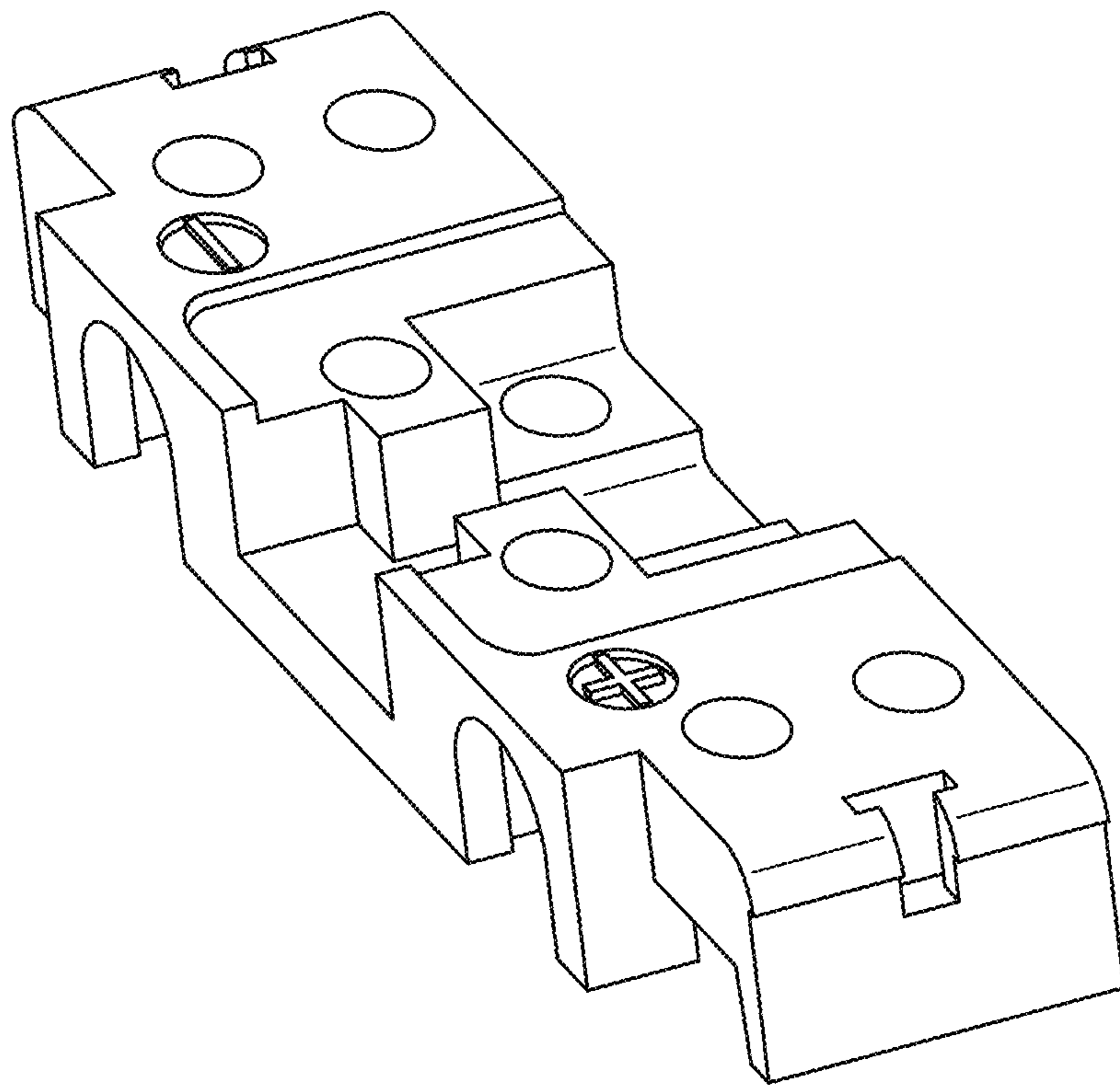


FIG. 1

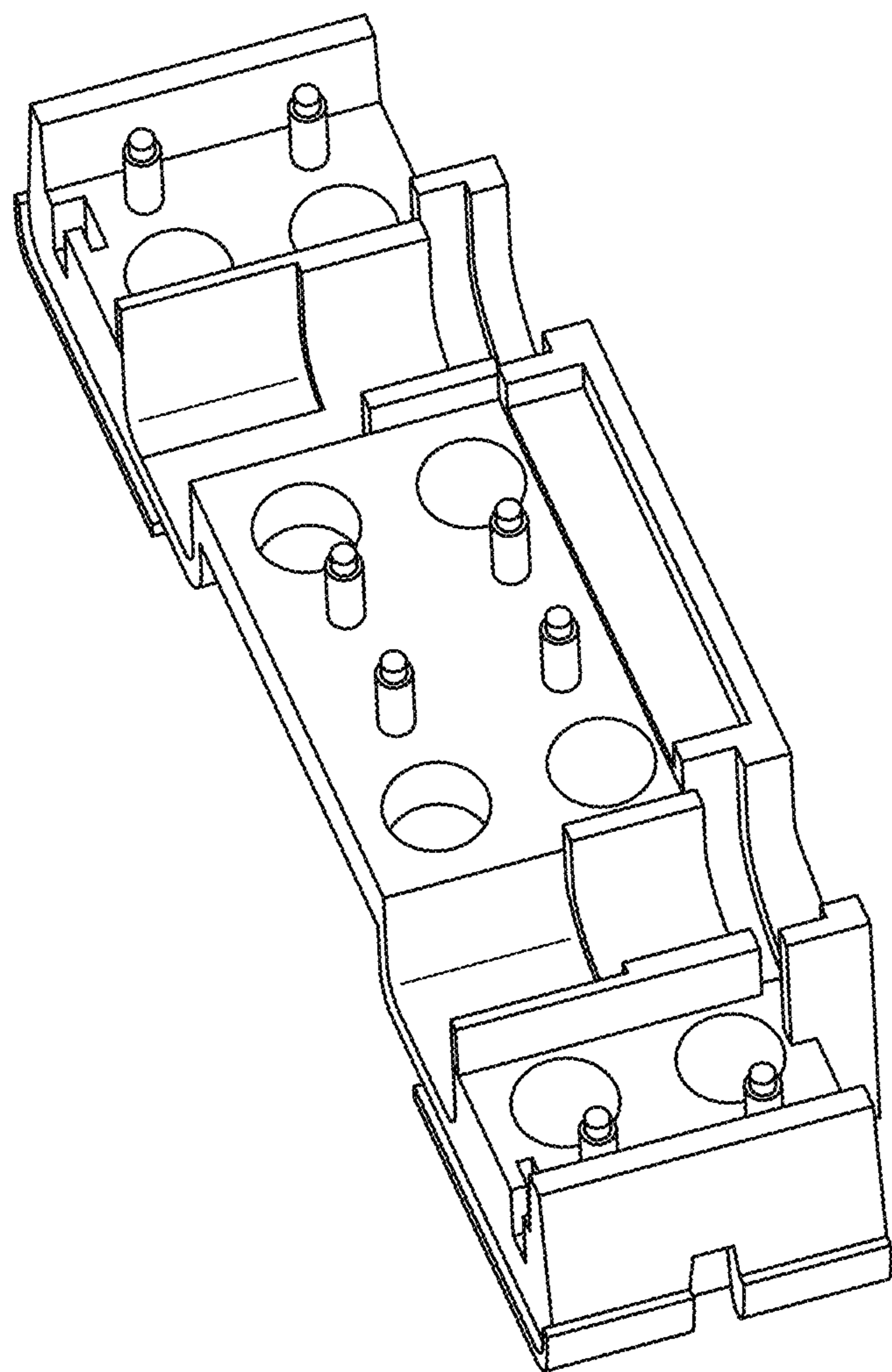


FIG. 2

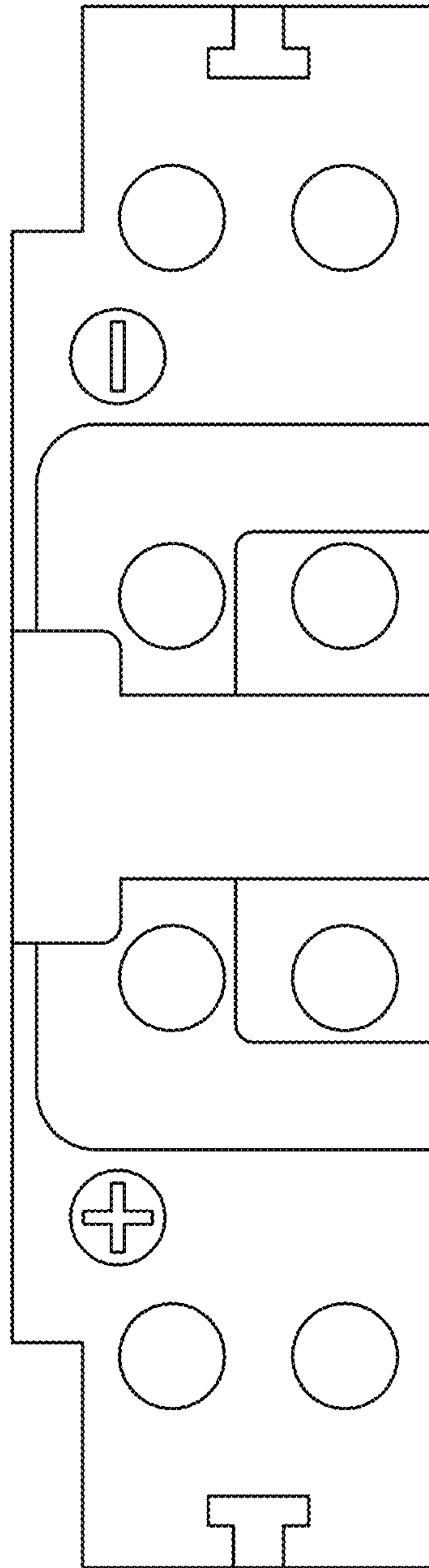


FIG. 3

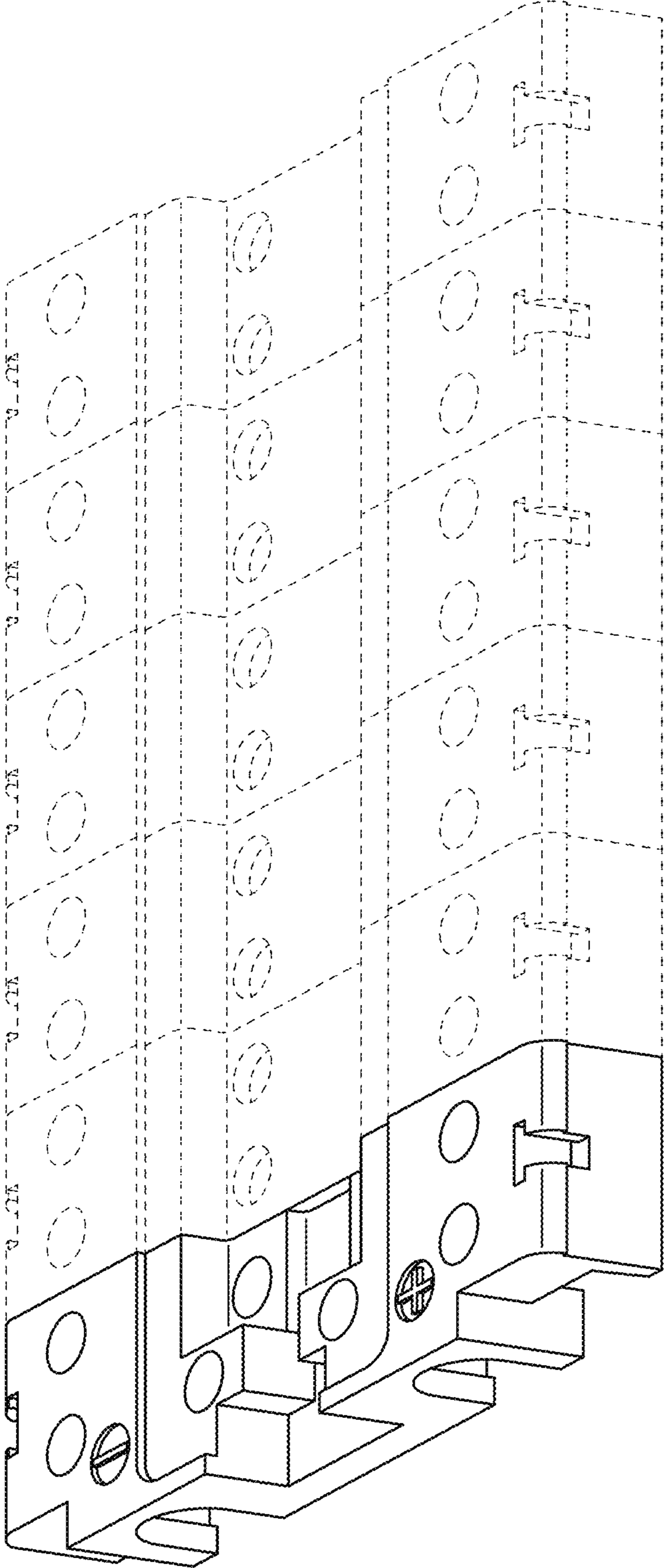


FIG. 4

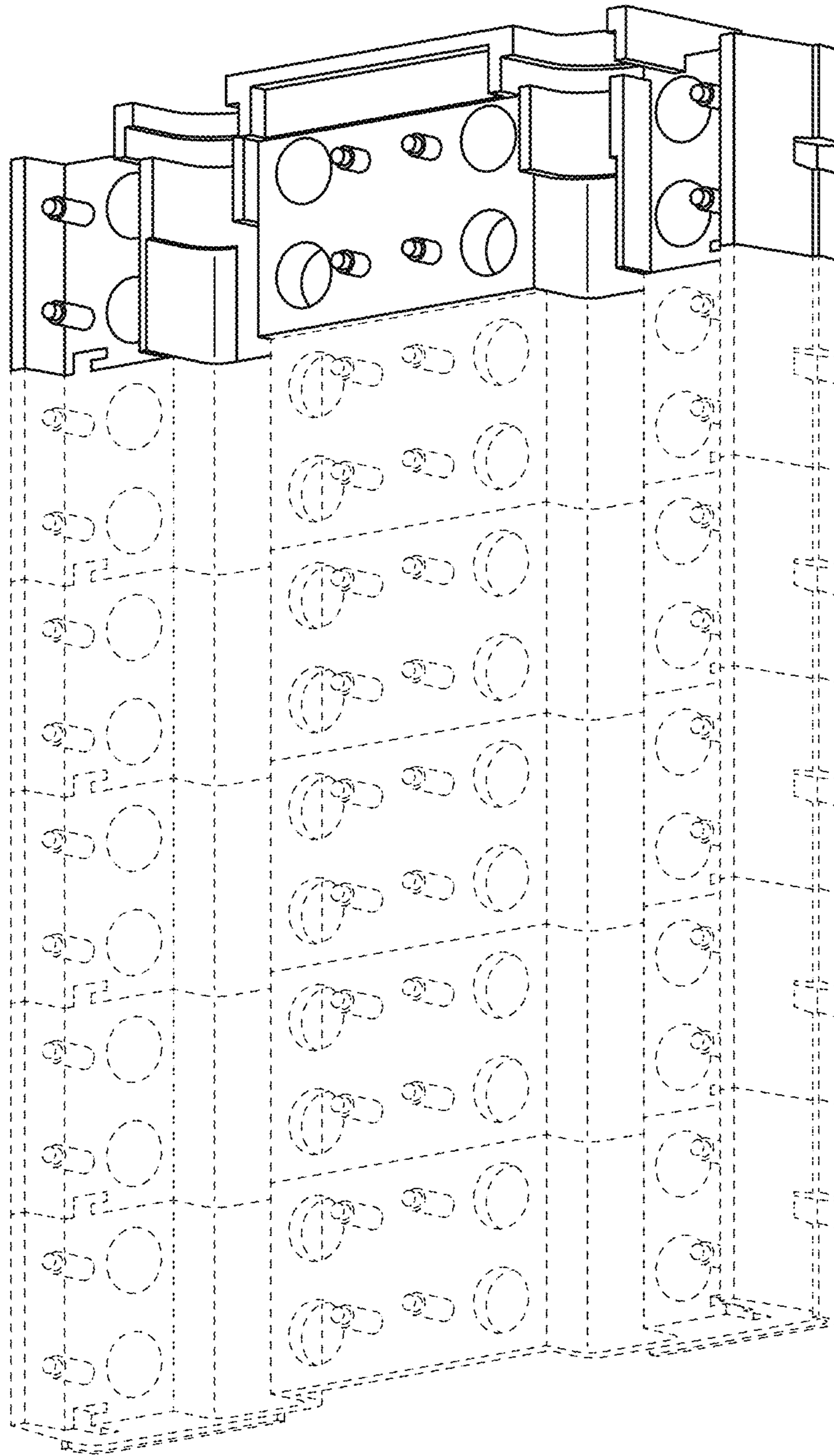


FIG. 5