



US00D814414S

(12) **United States Design Patent** (10) **Patent No.:** **US D814,414 S**
Capriola (45) **Date of Patent:** **** Apr. 3, 2018**

(54) **MOBILE POWER SUPPLY**
(71) Applicant: **Jonathan P. Capriola**, Sarasota, FL (US)

2,703,393 A 3/1955 Bird
2,731,614 A 1/1956 Geib et al.
3,005,282 A 10/1961 Christiansen
(Continued)

(72) Inventor: **Jonathan P. Capriola**, Sarasota, FL (US)

FOREIGN PATENT DOCUMENTS

(73) Assignee: **CAPRIOLA CORPORATION**, Sarasota, FL (US)

CN 2596479 12/2003
DE 4202378 6/1992
(Continued)

(**) Term: **15 Years**

OTHER PUBLICATIONS

(21) Appl. No.: **29/555,045**

International Search Report of Aug. 18, 2014 for PCT/US2014/030689.

(22) Filed: **Feb. 18, 2016**

(Continued)

Related U.S. Application Data

(60) Continuation of application No. 29/534,295, filed on Jul. 28, 2015, now Pat. No. Des. 754,602, which is a division of application No. 29/449,895, filed on Mar. 15, 2013, now Pat. No. Des. 737,763.

Primary Examiner — Derrick E Holland

Assistant Examiner — Jennifer O King

(74) *Attorney, Agent, or Firm* — Allen Dyer Doppelt & Gilchrist

(51) **LOC (11) Cl.** **13-02**

(52) **U.S. Cl.**
USPC **D13/110**

(58) **Field of Classification Search**
USPC D13/103, 110, 118, 123, 124, 133, 154, D13/158, 160, 162, 162.1, 164, 168, 169, D13/171, 199; 446/91, 128; D21/300, D21/331-333, 484
CPC . A63H 33/04; A63F 13/24; A63F 2009/1006; G06F 1/1654; G09B 23/183; G09B 5/00
See application file for complete search history.

(57) **CLAIM**

The ornamental design for a mobile power supply, as shown and described.

DESCRIPTION

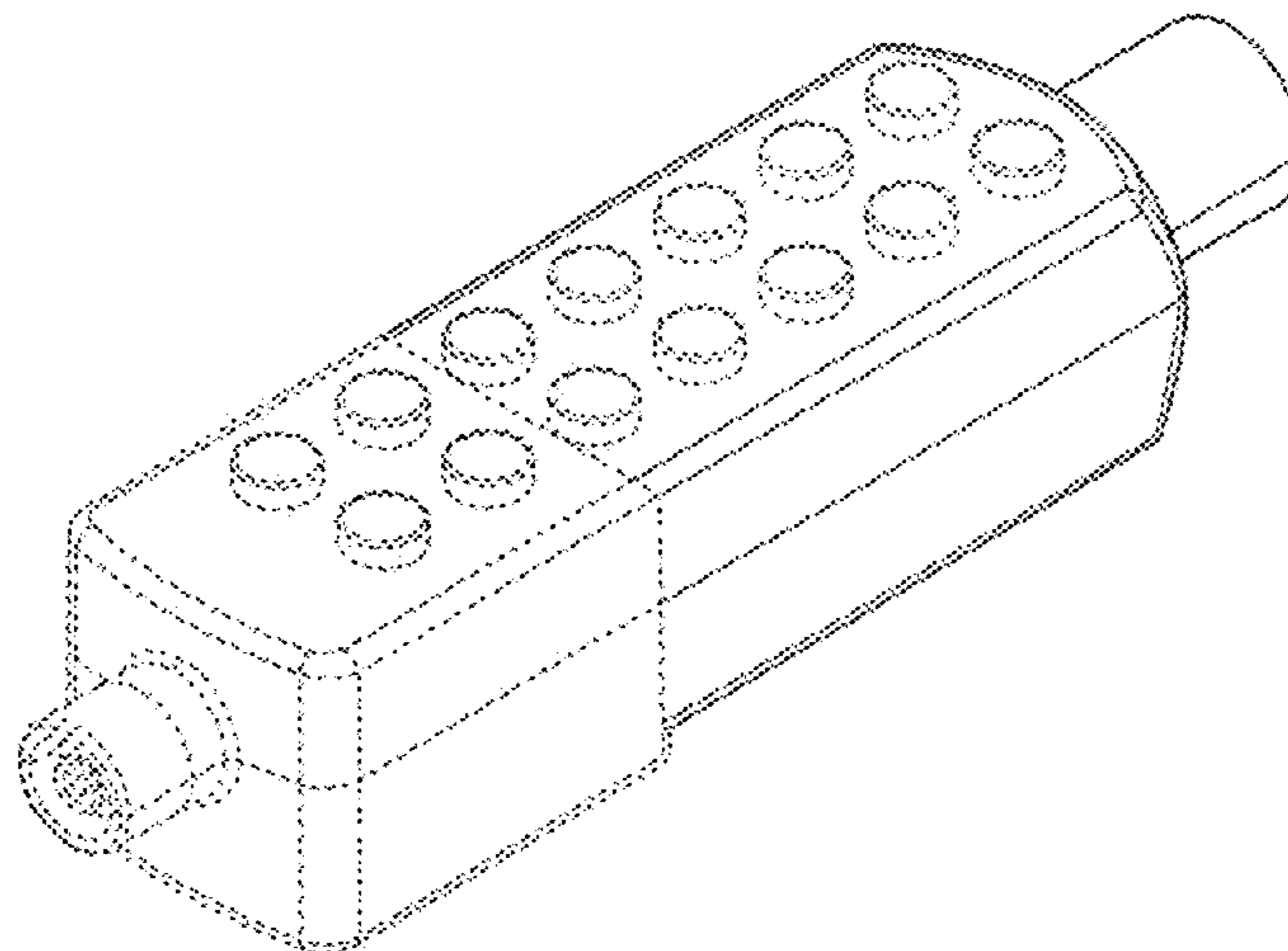
FIG. 1 is a perspective view from the front, top, and left of a mobile power supply;
FIG. 2 is a perspective view thereof, from the front, bottom, and left;
FIG. 3 is a top view thereof;
FIG. 4 is a bottom view thereof;
FIG. 5 is a left side view thereof;
FIG. 6 is a right side view thereof;
FIG. 7 is a front view thereof; and,
FIG. 8 is a rear view thereof.
The broken lines shown represent unclaimed subject matter and form no part of the claimed design.

(56) **References Cited**

U.S. PATENT DOCUMENTS

750,953 A 2/1904 Dunfee
1,552,227 A 9/1925 Pacent
1,642,064 A 9/1927 Engstrom
2,440,661 A 4/1948 Calvin
2,657,369 A 10/1953 Ziemianin, Jr.

1 Claim, 4 Drawing Sheets



(56)

References Cited

U.S. PATENT DOCUMENTS

3,225,460 A 12/1965 Randell et al.
 3,237,341 A 1/1966 Janning
 3,289,149 A 11/1966 Pawloski
 3,418,438 A 12/1968 Barrett
 3,447,249 A 6/1969 Greger
 3,484,984 A 12/1969 Fischer
 3,553,883 A 1/1971 Fischer
 3,576,936 A 5/1971 Fischer
 3,626,360 A 12/1971 Cole
 3,696,548 A 10/1972 Teller
 3,733,744 A 5/1973 Hiltbold et al.
 3,972,639 A 8/1976 Lening
 4,096,379 A 6/1978 Taylor
 4,223,377 A 9/1980 Williams
 4,305,221 A 12/1981 Chatani
 4,306,373 A 12/1981 Chatani et al.
 D263,299 S * 3/1982 Jacobs D13/168
 4,869,701 A 9/1989 Kawai et al.
 4,937,972 A 7/1990 Freitas
 5,018,980 A 5/1991 Robb
 5,020,253 A 6/1991 Lie et al.
 5,147,237 A 9/1992 Kwan et al.
 5,409,403 A 4/1995 Falossi et al.
 5,445,552 A 8/1995 Hine
 5,778,579 A 7/1998 Yuen
 5,779,515 A 7/1998 Chung
 D415,098 S * 10/1999 Zimmer D13/103
 6,019,486 A 2/2000 Stewart, Jr.
 6,220,872 B1 4/2001 Chen
 6,241,371 B1 6/2001 Dai
 D454,546 S * 3/2002 MacKay D13/160
 6,443,796 B1 9/2002 Shackelford
 6,585,553 B1 7/2003 Fetridge et al.
 D497,145 S * 10/2004 Seo D13/158
 6,805,605 B2 10/2004 Reining et al.
 D519,937 S * 5/2006 Laurent D13/160
 D519,988 S * 5/2006 Tanaka D13/168

7,080,927 B2 7/2006 Feuerborn et al.
 7,255,624 B2 8/2007 Daftari
 7,322,873 B2 1/2008 Rosen et al.
 7,507,136 B2 3/2009 Patton
 7,633,298 B1 12/2009 Kan et al.
 7,731,558 B2 6/2010 Capriola
 D621,791 S * 8/2010 Koskela D13/158
 7,846,002 B1 12/2010 Mikesell et al.
 7,854,614 B2 12/2010 Robb
 7,966,756 B1 6/2011 Stafford
 8,024,995 B2 9/2011 Dayton et al.
 D692,956 S * 11/2013 Kitamura D21/324
 D714,739 S * 10/2014 Rantala D13/168
 D793,964 S * 8/2017 Aromin D13/160
 2002/0115373 A1 8/2002 Lazerman
 2003/0040250 A1 2/2003 Yim et al.
 2003/0148700 A1 8/2003 Arlinsky et al.
 2004/0018473 A1 1/2004 Tusacciu
 2004/0185745 A1 9/2004 Reining et al.
 2006/0084357 A1 4/2006 Rosen et al.
 2006/0134978 A1 6/2006 Rosen et al.
 2007/0184722 A1 8/2007 Doherty
 2008/0160875 A1 7/2008 Leicht
 2008/0198599 A1 8/2008 Lai
 2009/0047863 A1 2/2009 Capriola
 2009/0154883 A1 6/2009 Robb
 2011/0151743 A1 6/2011 Munch et al.

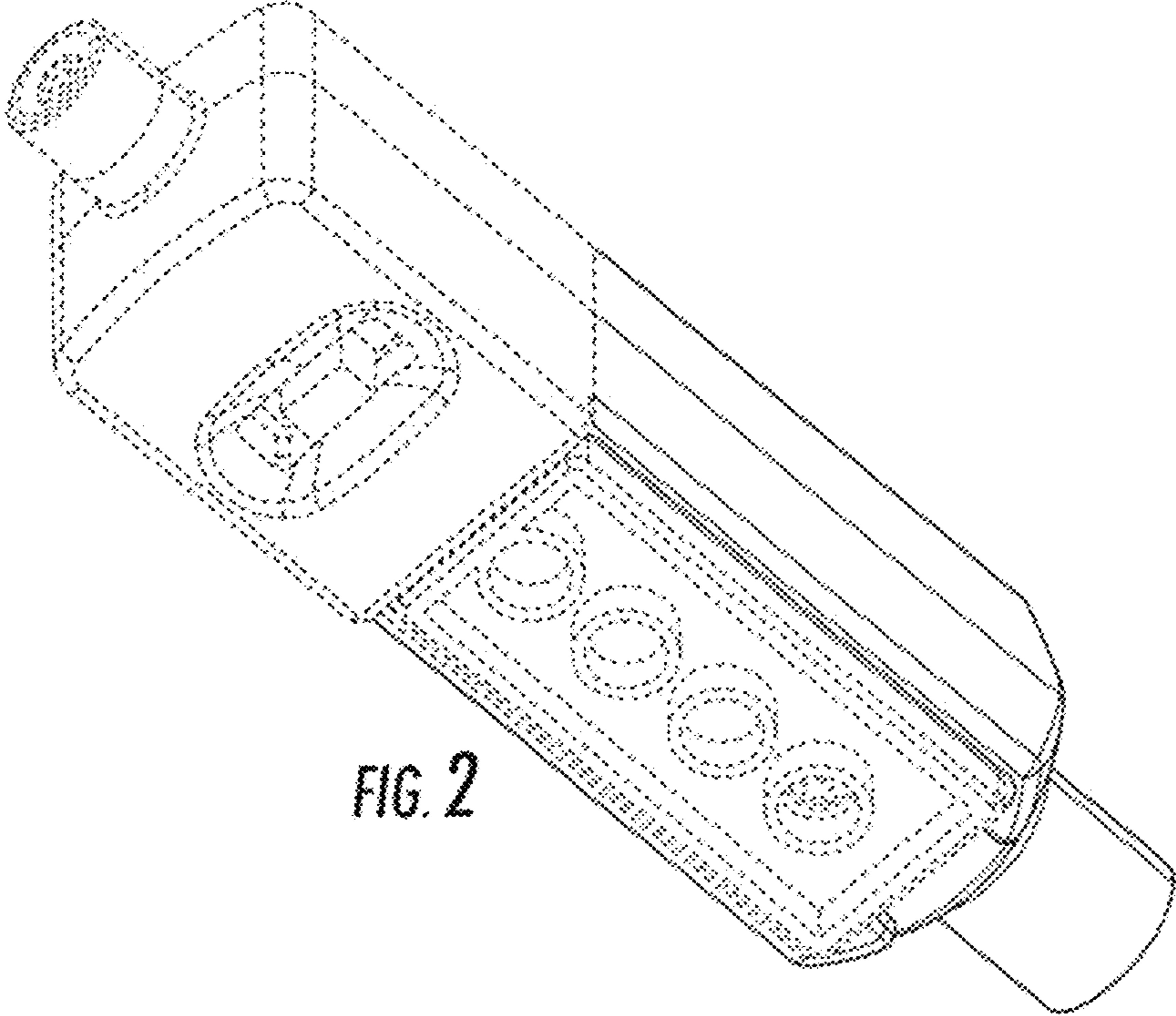
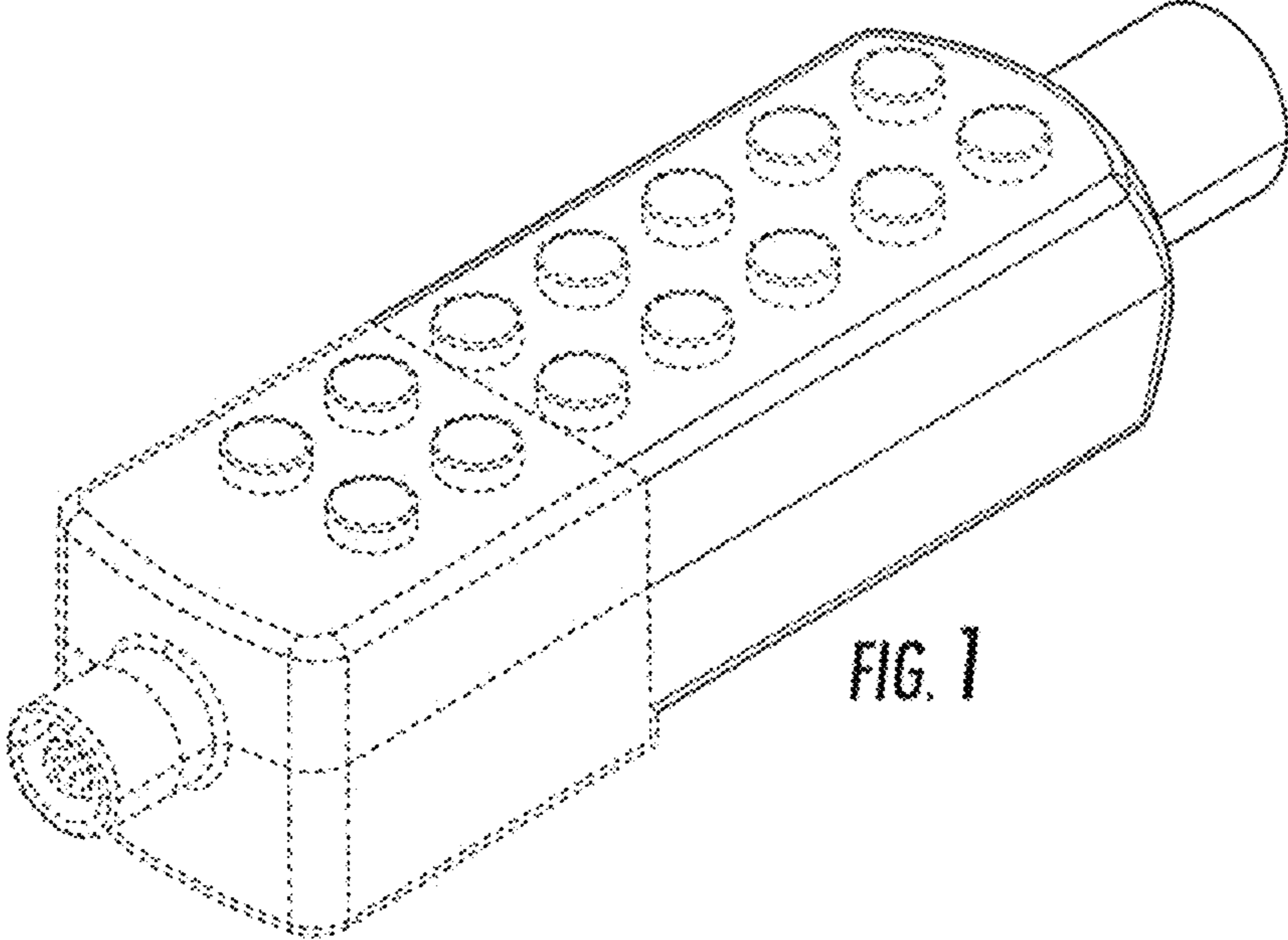
FOREIGN PATENT DOCUMENTS

EP 1162400 12/2001
 KR 101999-0078845 11/1999

OTHER PUBLICATIONS

Light & Sound System, Legoland 6450. Lego Group [instruction manual], 1985 [retrieved on Jul. 11, 2014]. Retrieved from the Internet: <http://www.toysperiod.com/download.php?>.

* cited by examiner



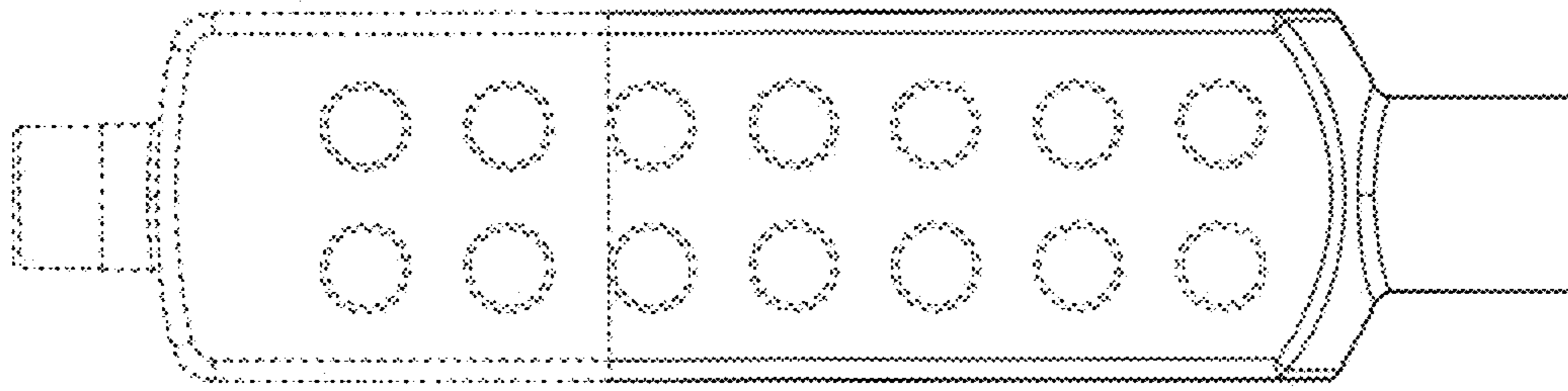


FIG. 3

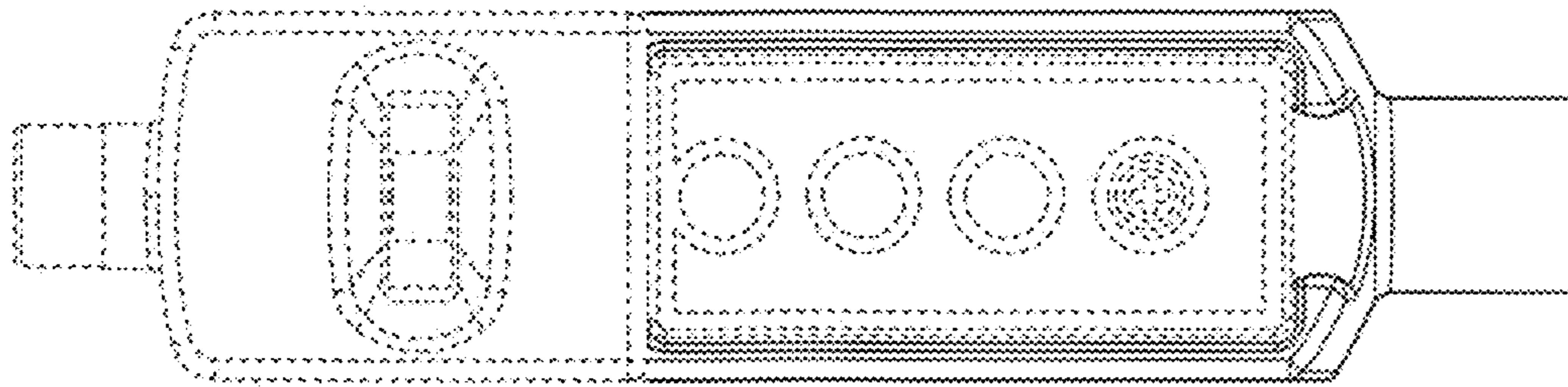


FIG. 4

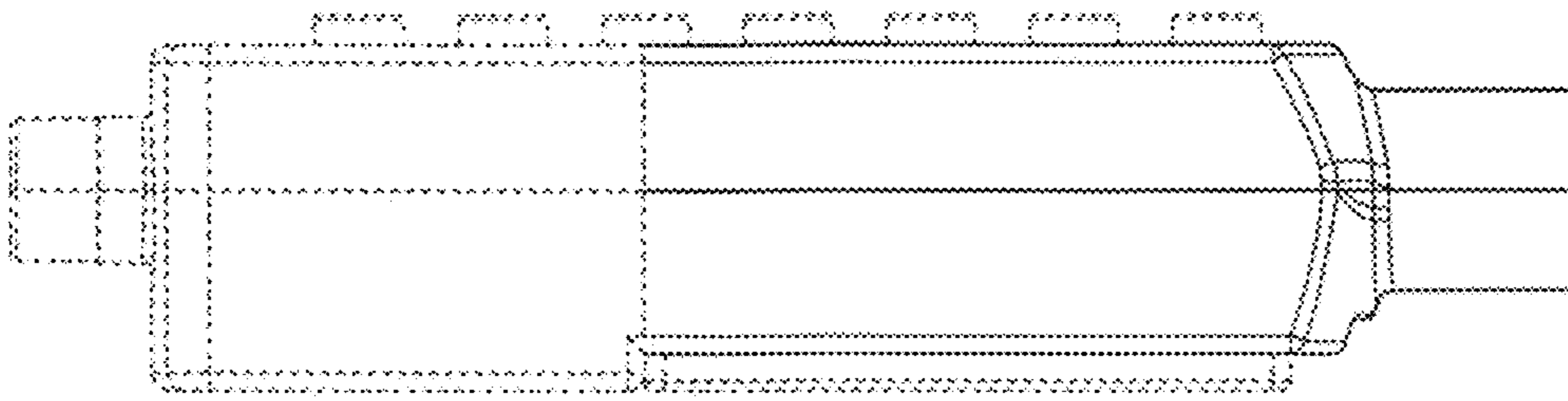


FIG. 5

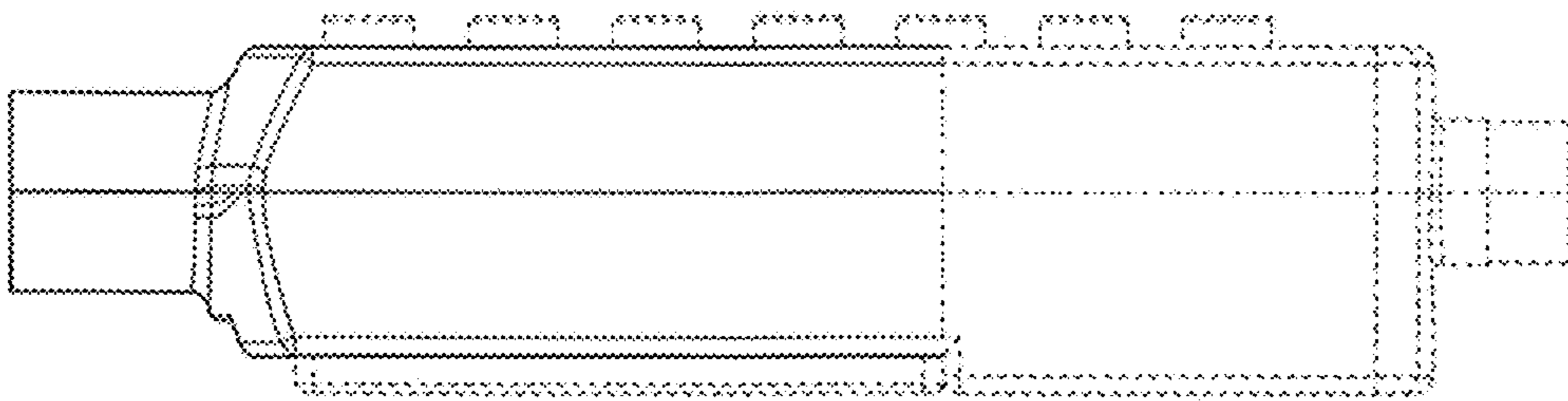


FIG. 6

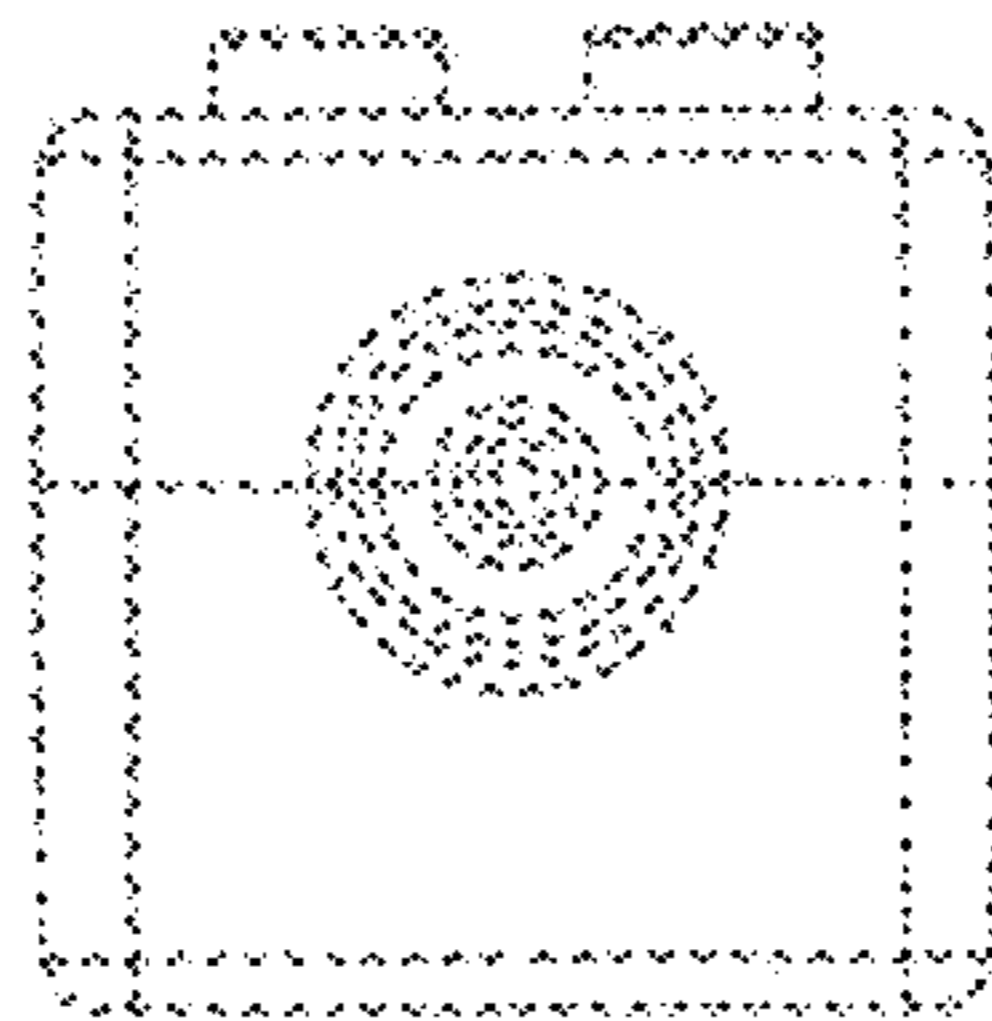


FIG. 7

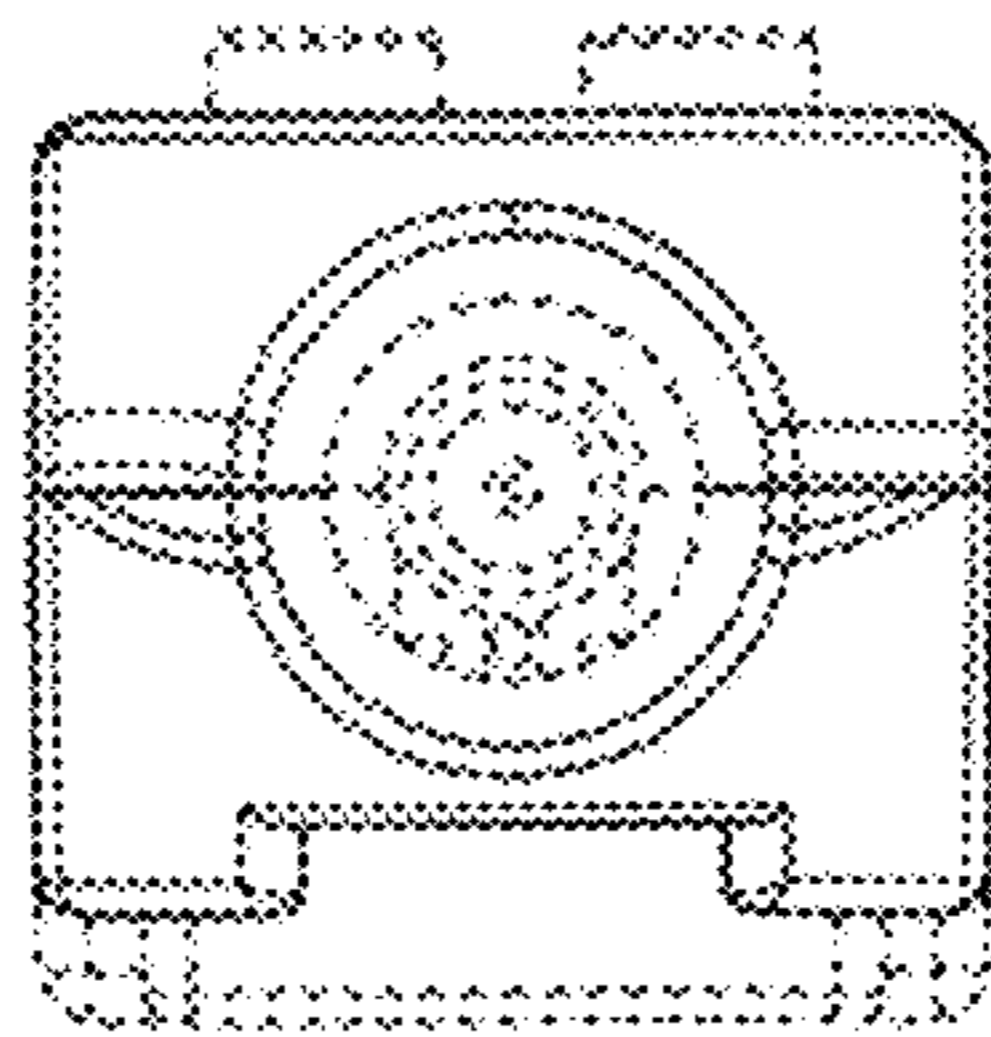


FIG. 8