



US00D814413S

(12) **United States Design Patent**
Zhong

(10) **Patent No.:** **US D814,413 S**

(45) **Date of Patent:** **** Apr. 3, 2018**

(54) **CHARGING STAND FOR PORTABLE ELECTRONIC DEVICES**

(71) Applicant: **Shenzhen Ruimaide Technology Co., Ltd.**, Shenzhen, Guangdong (CN)

(72) Inventor: **Decai Zhong**, Fujian (CN)

(73) Assignee: **SHENZHEN RUIMAIDE TECHNOLOGY CO. LTD.**, Shenzhen (CN)

(**) Term: **15 Years**

(21) Appl. No.: **29/590,621**

(22) Filed: **Jan. 12, 2017**

(51) **LOC (11) Cl.** **13-02**

(52) **U.S. Cl.**
USPC **D13/108**

(58) **Field of Classification Search**
USPC D13/107–110, 118–119, 184, 199;
D14/251, 253, 432, 434
CPC Y02E 60/12; Y02T 90/14; Y02T 90/122;
Y02T 90/128; Y02T 90/163; H02J 7/025;
H02J 7/0042; H02J 7/0044; H02J 7/0045;
H02J 7/0003; H01F 38/14; H01R
13/6675; H01M 2/1022; H01M 2/1055;
H01M 10/44; H01M 10/46; H01M
10/425; B60L 11/182
See application file for complete search history.

(56) **References Cited**

U.S. PATENT DOCUMENTS

D471,906 S * 3/2003 Salazar D13/108
D489,322 S * 5/2004 Sawai D13/108

D554,115 S * 10/2007 Liu D13/108
D554,116 S * 10/2007 Liu D13/108
D558,749 S * 1/2008 Furuno D13/107
D568,808 S * 5/2008 Hamasaki D13/108
D572,188 S * 7/2008 Prat-Pfister D13/108
D642,521 S * 8/2011 Markowitz D13/108
D772,216 S * 11/2016 Lau D13/108

* cited by examiner

Primary Examiner — Rosemary K Tarcza

(74) *Attorney, Agent, or Firm* — Law Office of Steven W. Weinrieb

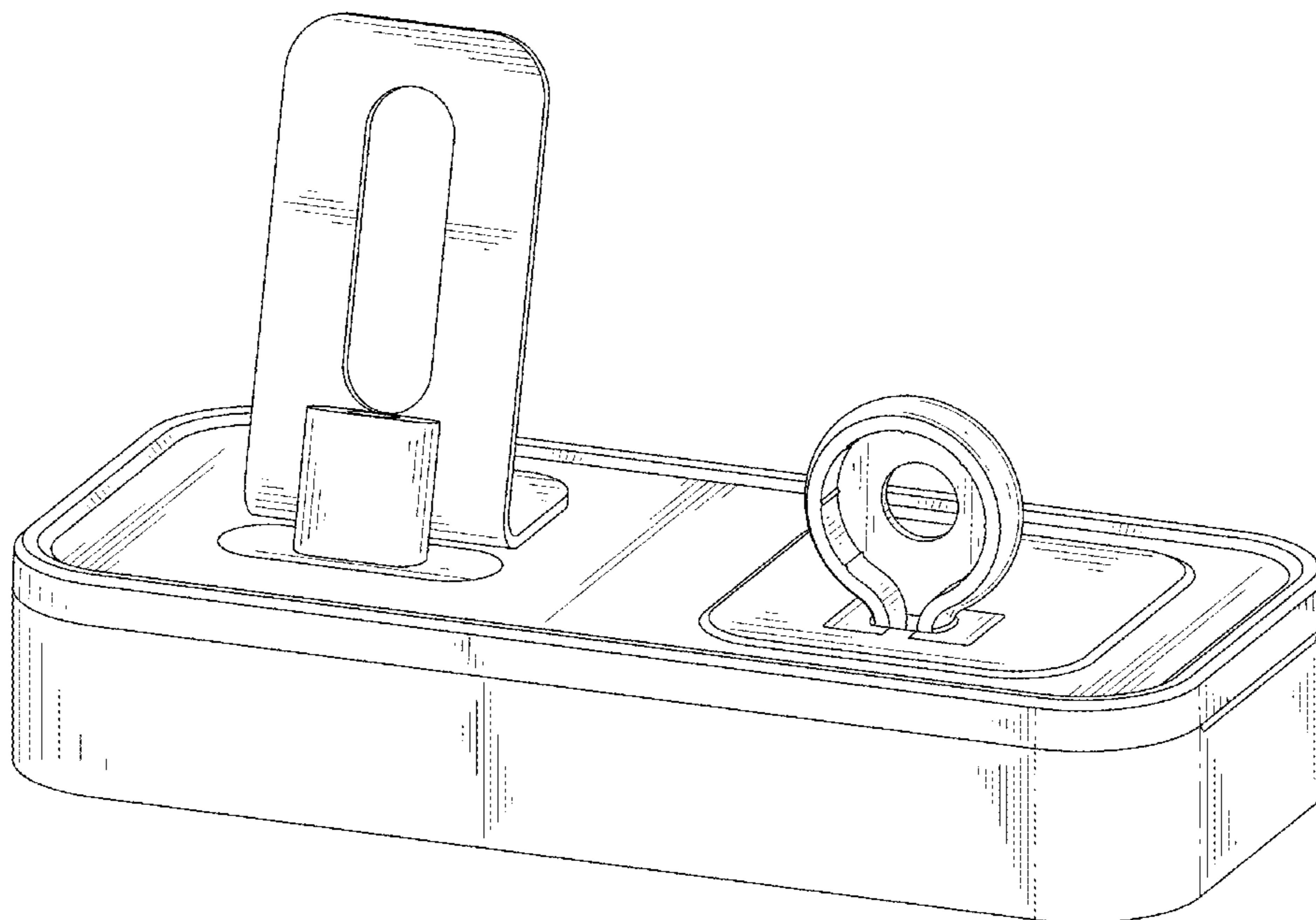
(57) **CLAIM**

The ornamental design for a charging stand for portable electronic devices, as shown and described.

DESCRIPTION

FIG. 1 is a front perspective view of a charging stand for portable electronic devices showing my new design; FIG. 2 is a rear perspective view thereof; FIG. 3 is a front elevational view thereof; FIG. 4 is a rear elevational view thereof; FIG. 5 is a left side view thereof; FIG. 6 is a right side view thereof; FIG. 7 is a top plan view thereof; FIG. 8 is a bottom plan view thereof; and, FIG. 9 is a perspective view showing the charging stand for portable electronic devices in a use state. The broken lines shown in FIGS. 4 and 7 illustrate portions of the charging stand for portable electronic devices which form no part of the claimed design. The broken lines depicting electronic devices in FIG. 9 are for the purpose of illustrating environmental structure, and form no part of the claimed design.

1 Claim, 9 Drawing Sheets



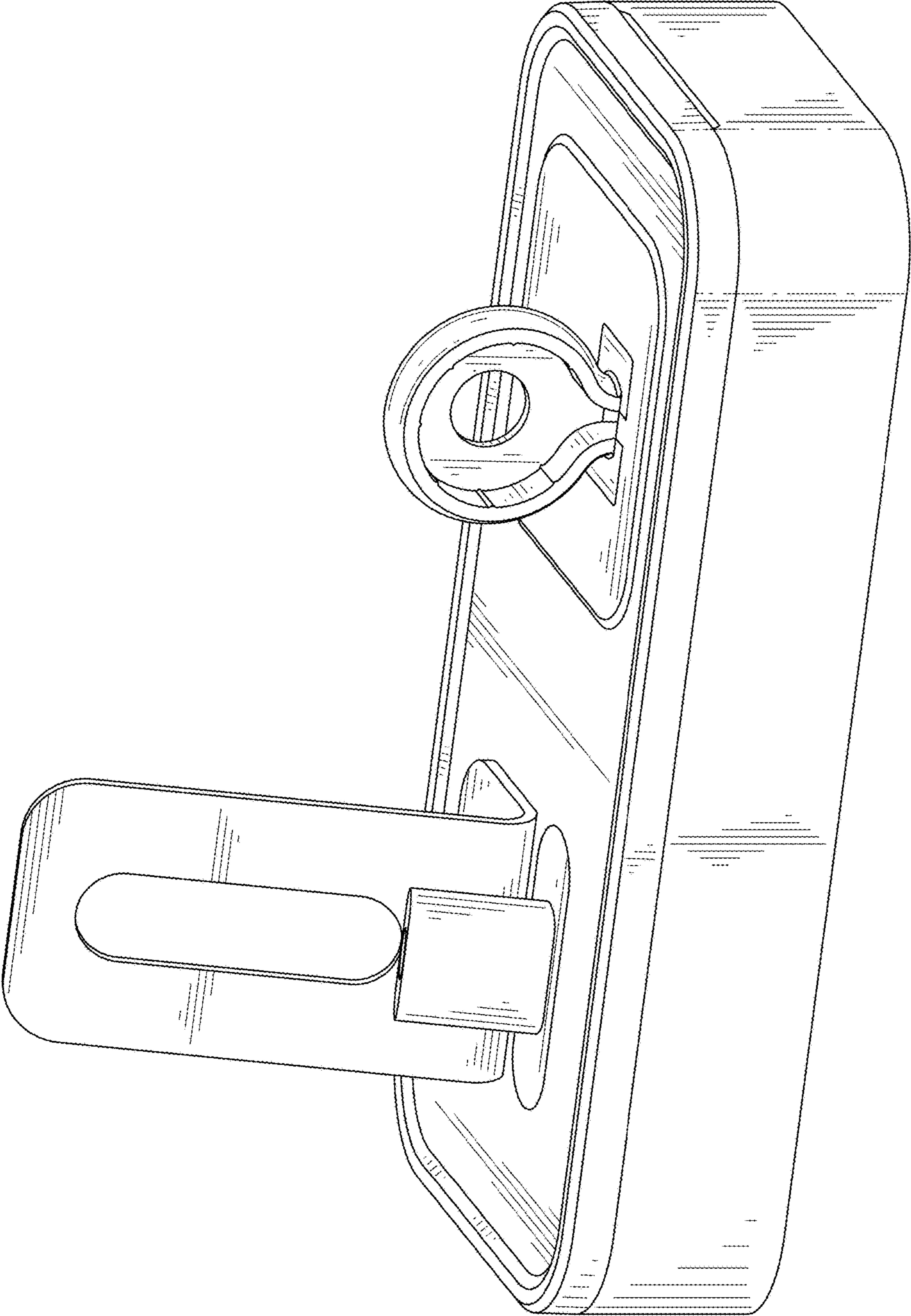


FIG. 1

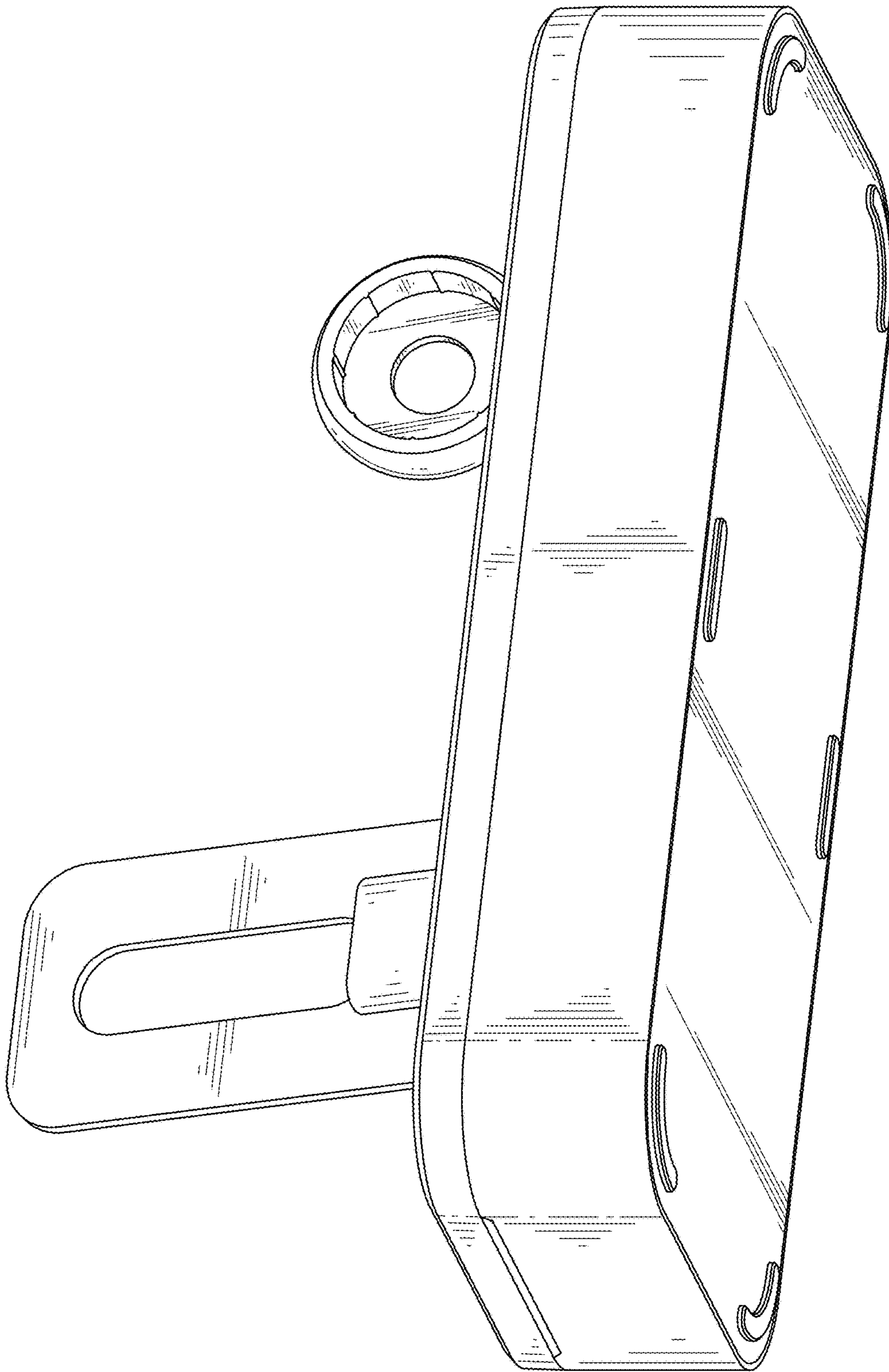


FIG. 2

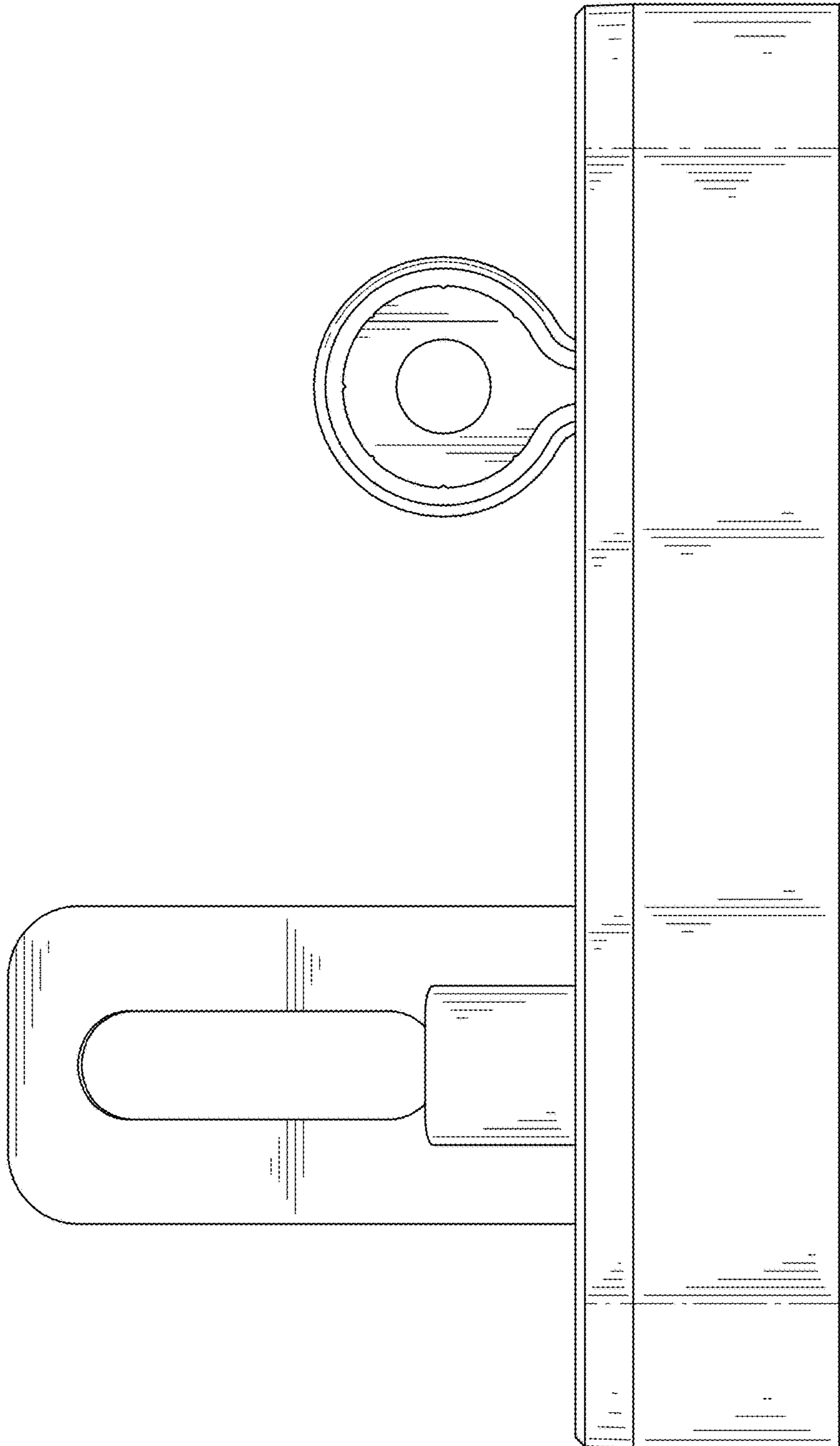


FIG. 3

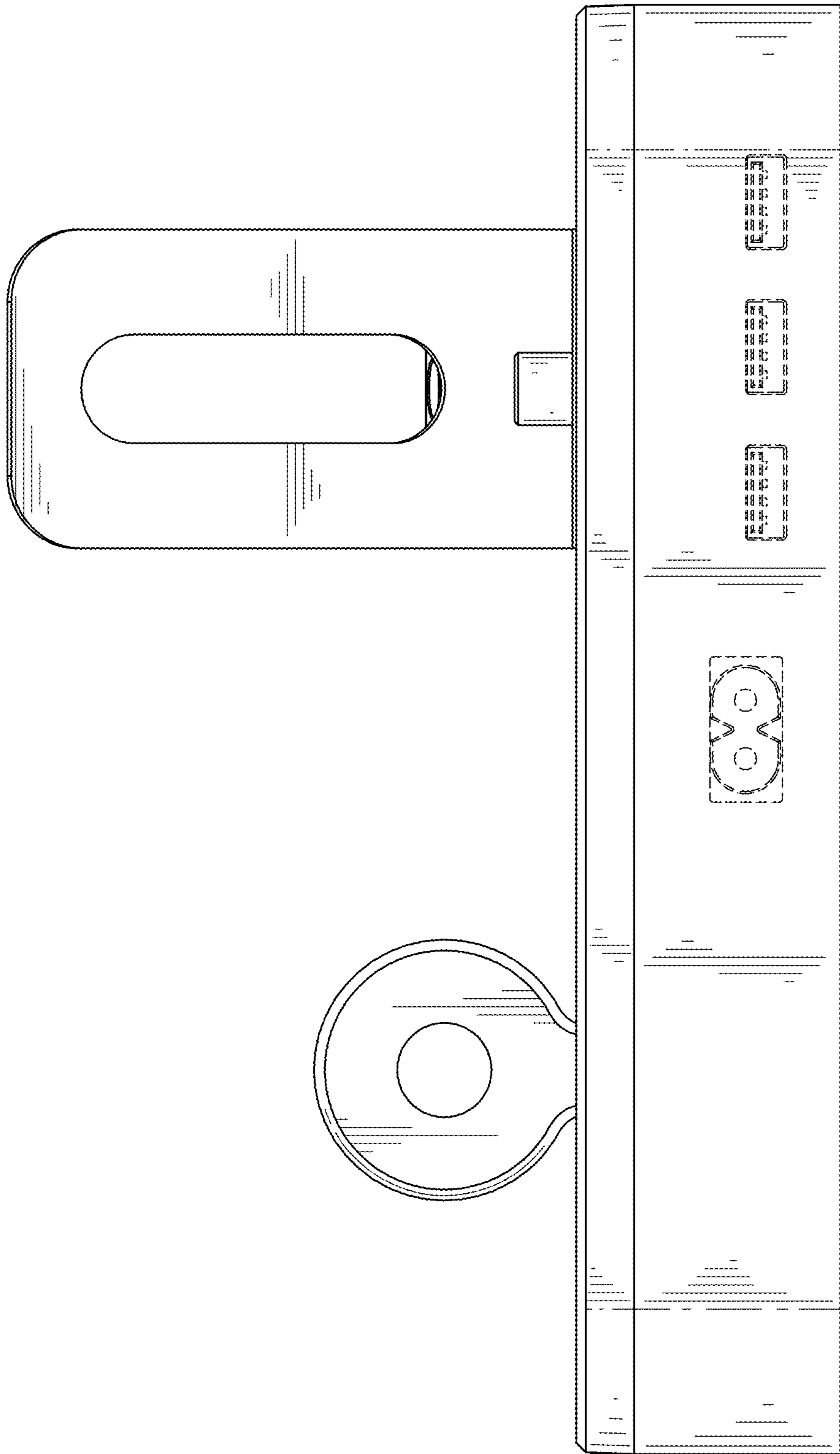


FIG. 4

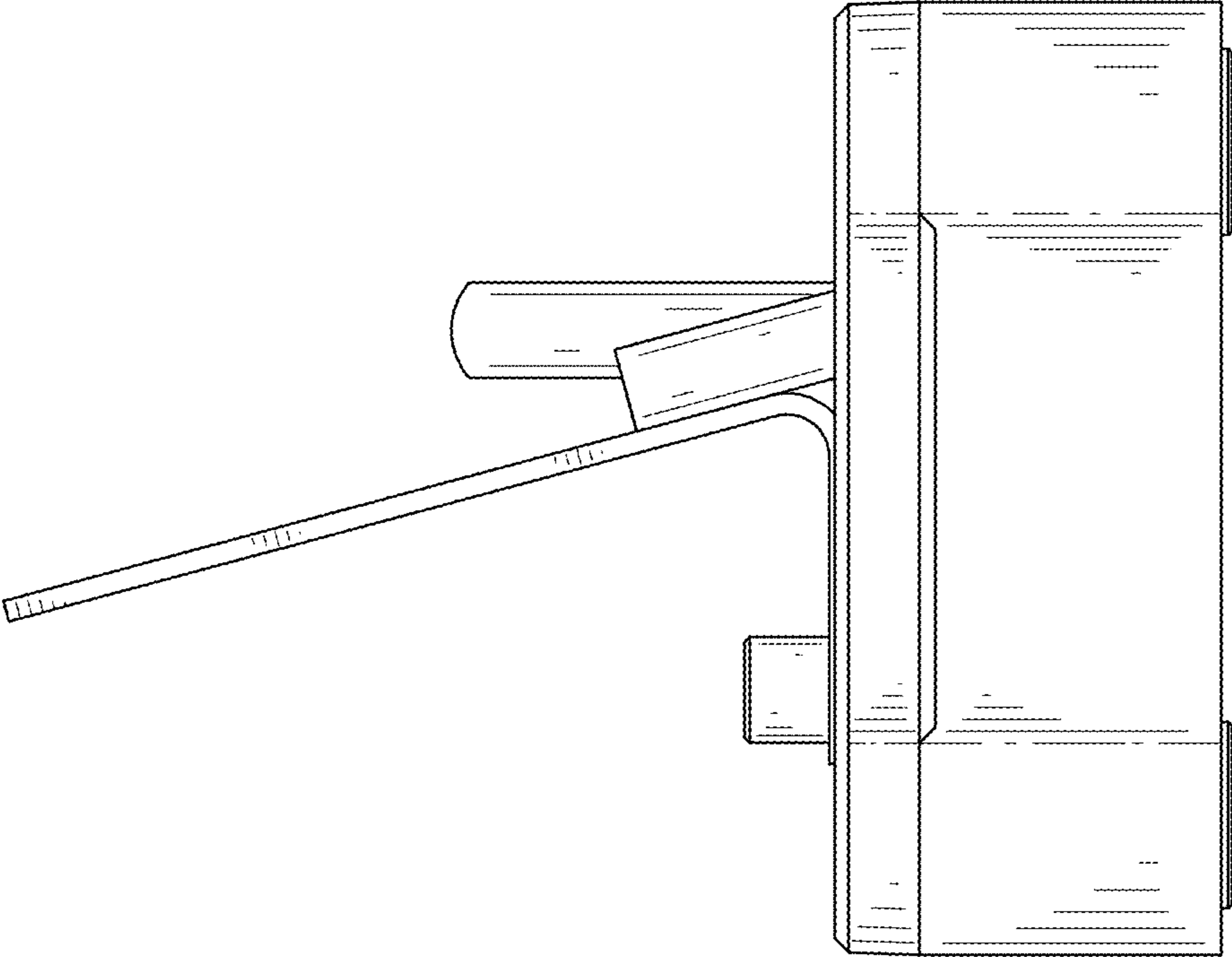


FIG. 5

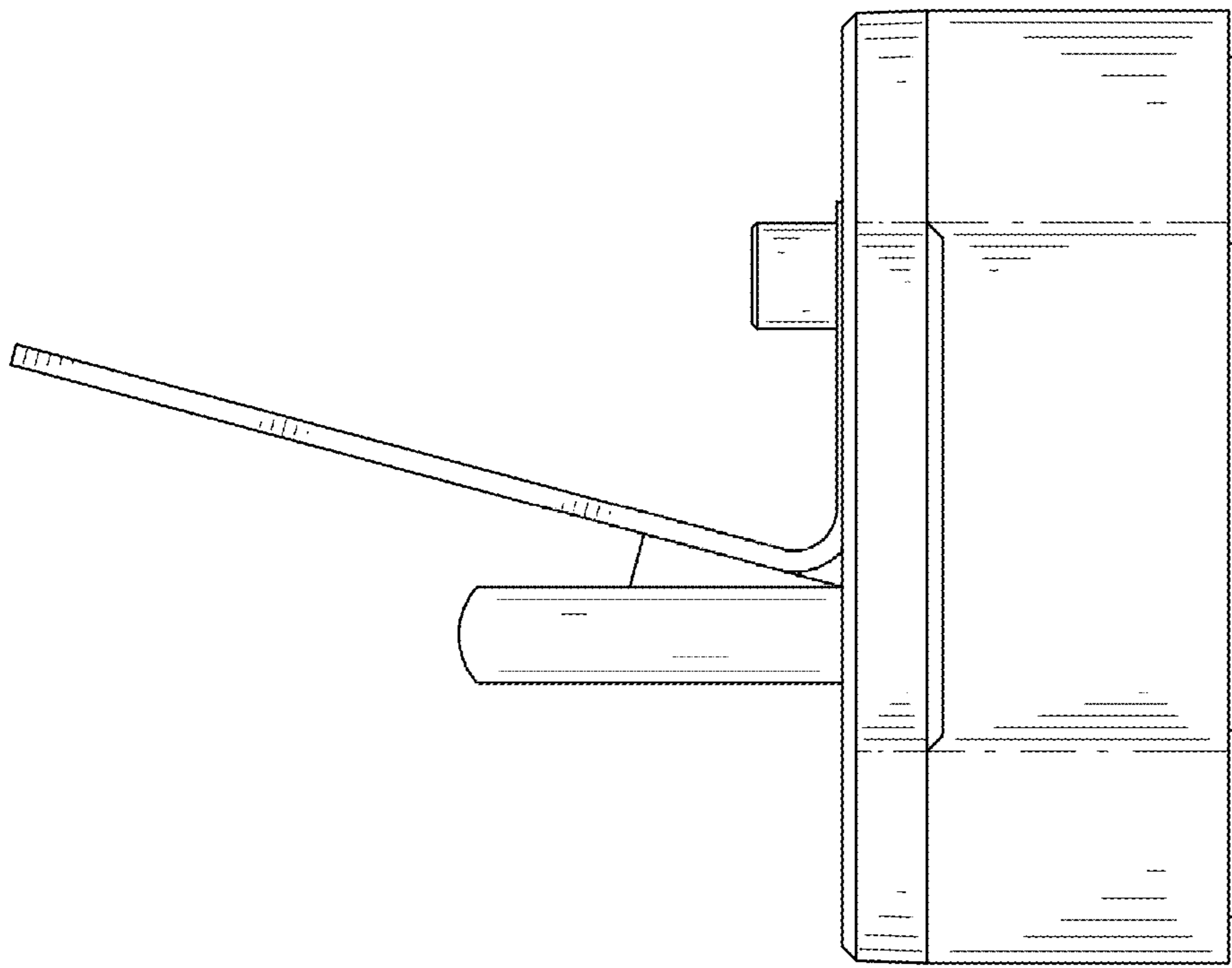


FIG. 6

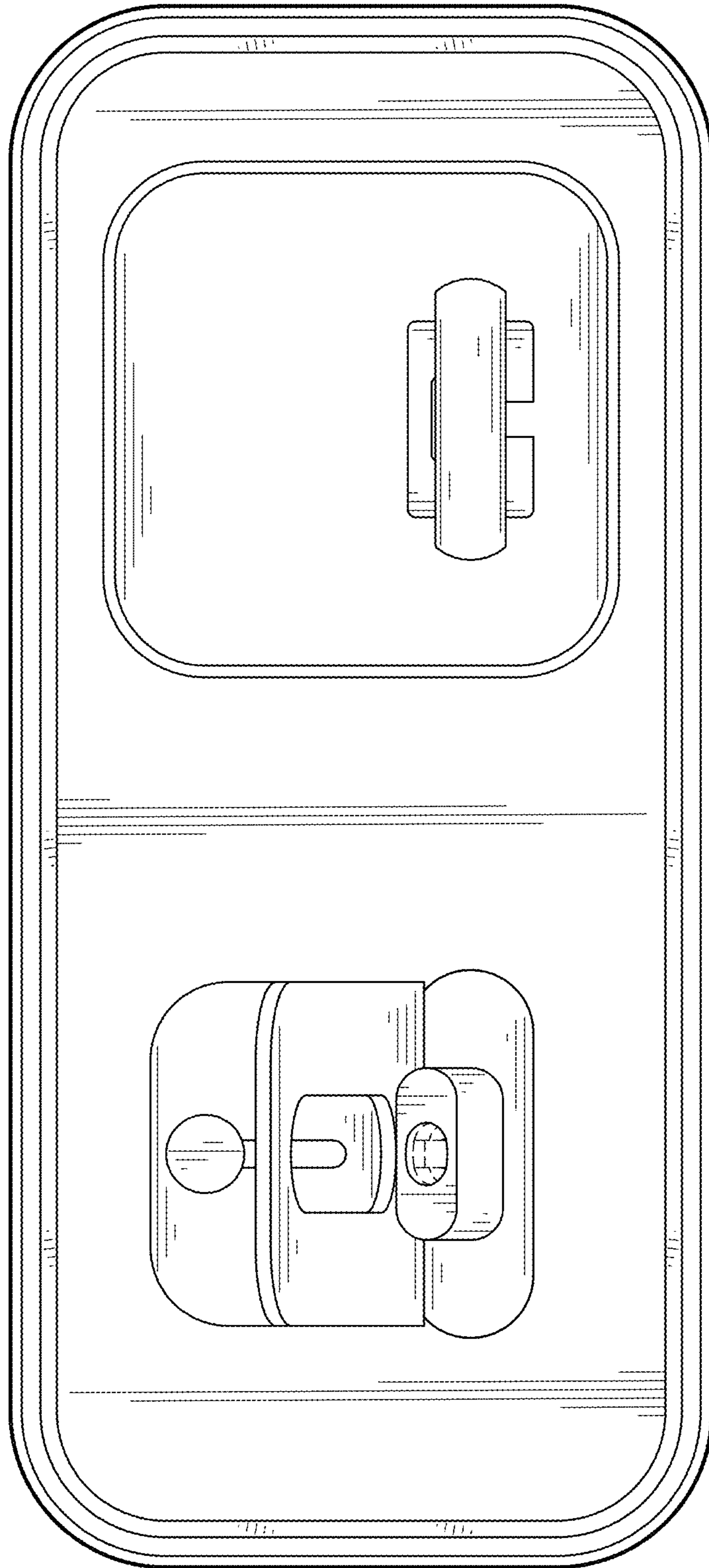


FIG. 7

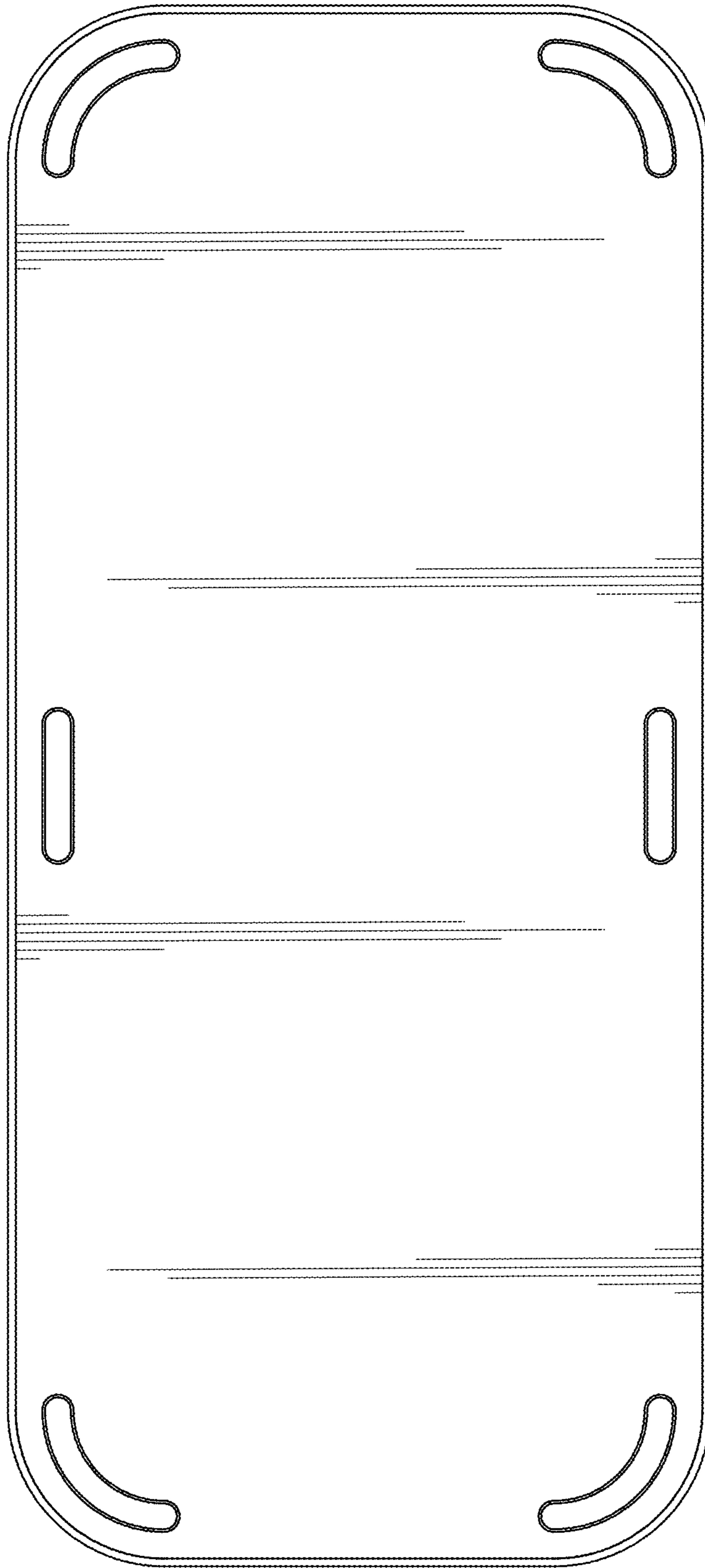


FIG. 8

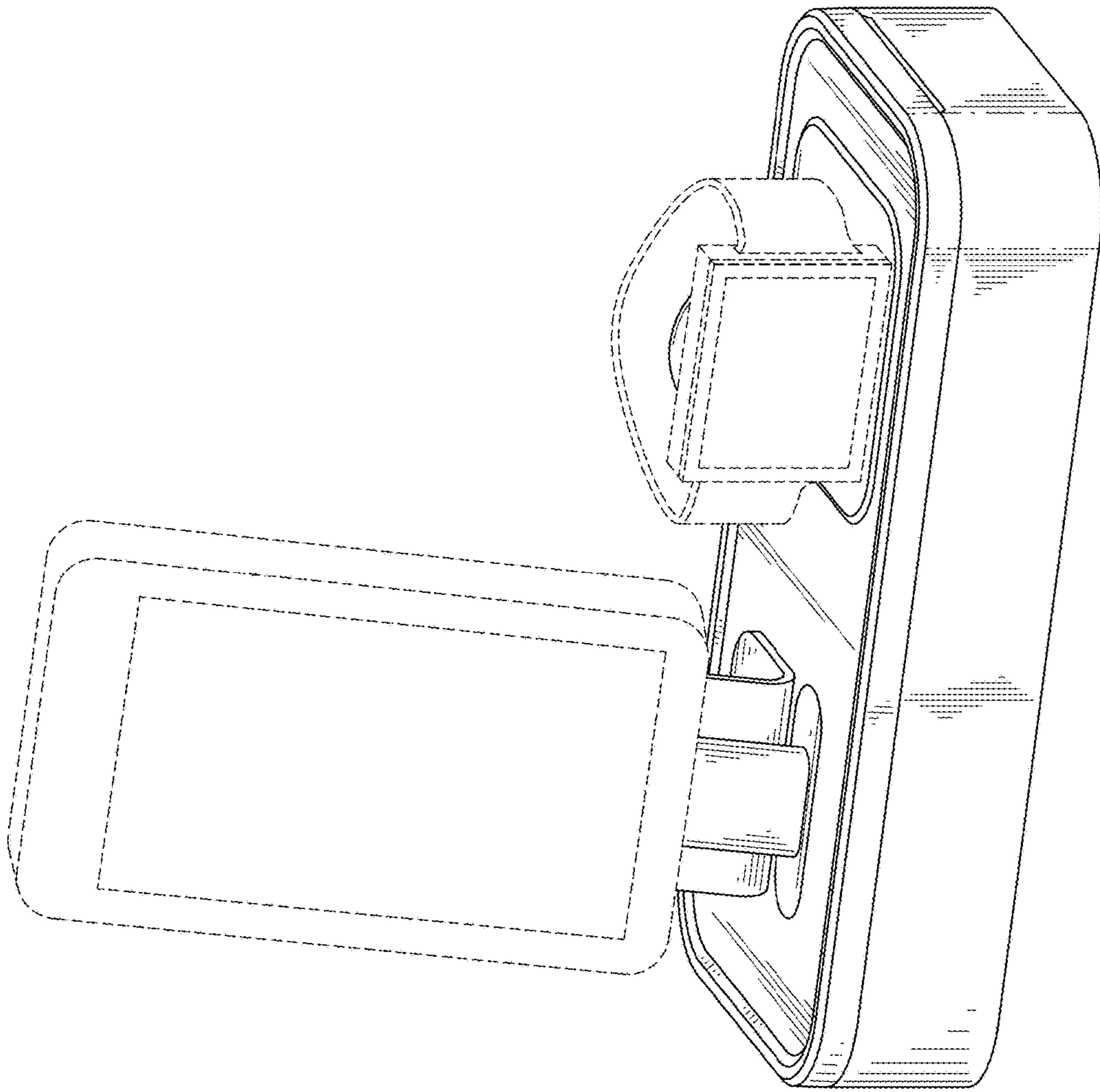


FIG. 9