



US00D814412S

(12) **United States Design Patent** (10) **Patent No.:** **US D814,412 S**  
**Georgiades** (45) **Date of Patent:** **\*\* Apr. 3, 2018**

(54) **PORTABLE BATTERY CHARGER**  
(71) Applicant: **Molonlave Group LLC**, Long Island City, NY (US)  
(72) Inventor: **Marios Georgiades**, Saddle River, NJ (US)  
(73) Assignee: **MOLONLAVE GROUP LLC**, Long Island City, NY (US)  
(\*\*) Term: **15 Years**  
(21) Appl. No.: **29/583,960**  
(22) Filed: **Nov. 10, 2016**  
(51) **LOC (11) Cl.** ..... **13-02**  
(52) **U.S. Cl.**  
USPC ..... **D13/108**  
(58) **Field of Classification Search**  
USPC ..... D13/102–110, 118–119, 184, 199;  
D14/356, 432  
CPC ..... Y02E 60/10; Y02E 60/12; Y02E 60/122;  
Y02E 60/124; Y02E 60/50; H01M 2/02;  
H01M 2/022; H01M 2/0202; H01M  
2/0207; H01M 2/0212; H01M 2/1061;  
H01M 2/1022; H01M 2/1055; H01M  
2/1066; H01M 2/105; H01M 2/20; H01M  
2/204; H01M 2/206; H01M 10/44; H01M  
10/46; H01M 10/465; H01M 10/482;  
H01M 2200/30; H01M 2250/30; H01M  
2250/40; H02J 7/00; H02J 7/0003; H02J  
7/0011; H02J 7/0013; H02J 7/0054; H02J  
7/0055; H02J 7/0057; H02J 2007/0062  
See application file for complete search history.

(56) **References Cited**  
U.S. PATENT DOCUMENTS  
4,901,664 A \* 2/1990 Labrecque ..... A62B 99/00  
116/210  
5,758,769 A \* 6/1998 Vasudeva ..... B25H 3/003  
206/372

7,513,633 B2 \* 4/2009 Ermeti ..... F21L 4/005  
206/573  
D600,640 S \* 9/2009 Stein ..... D13/103  
D600,693 S \* 9/2009 Maiers ..... D14/480.6  
7,746,029 B2 \* 6/2010 Toya ..... H02J 7/0042  
320/107  
D619,089 S \* 7/2010 Chen ..... D13/102  
D624,747 S \* 10/2010 McSweyn ..... D14/480.5  
D639,789 S \* 6/2011 Kim ..... D14/242  
D645,049 S \* 9/2011 Faranda ..... D13/108  
D683,305 S \* 5/2013 Gupta ..... D13/103  
8,917,506 B2 \* 12/2014 Diebel ..... G06F 1/1628  
361/679.41  
D721,687 S \* 1/2015 To ..... D14/250  
D723,530 S \* 3/2015 Namminga ..... D14/250  
D729,277 S \* 5/2015 Uchida ..... D14/435.1  
D740,808 S \* 10/2015 Kono ..... D14/365  
9,153,985 B1 \* 10/2015 Gjovik ..... H02J 7/0042  
D752,521 S \* 3/2016 Place ..... D13/153

(Continued)

*Primary Examiner* — Rosemary K Tarcza  
*Assistant Examiner* — Nathaniel D Buckner  
(74) *Attorney, Agent, or Firm* — Ladas & Parry LLP

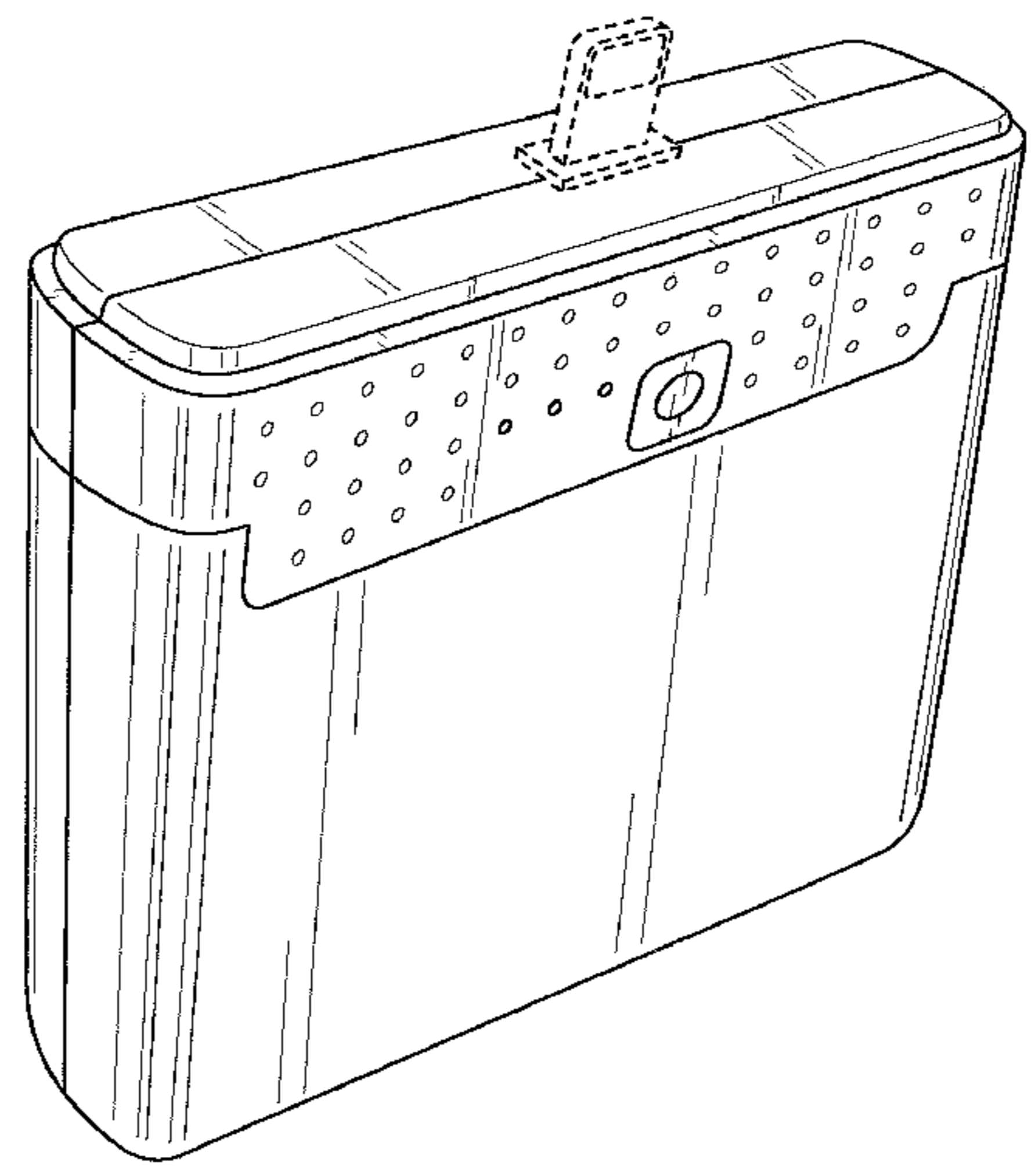
(57) **CLAIM**

The ornamental design for a portable battery charger, as shown and described.

**DESCRIPTION**

FIG. 1 is a perspective view of a portable battery charger showing the new design;  
FIG. 2 is a front elevation view thereof;  
FIG. 3 is rear elevation view thereof;  
FIG. 4 is a right side elevation view thereof;  
FIG. 5 is a left side elevation view thereof;  
FIG. 6 is a top plan view thereof; and,  
FIG. 7 is a bottom plan view thereof.  
The broken lines in the figures represent portions of the article which form no part of the claim.

**1 Claim, 5 Drawing Sheets**



(56)

**References Cited**

U.S. PATENT DOCUMENTS

D769,877 S \* 10/2016 Akana ..... D14/433  
D781,294 S \* 3/2017 Schwalbach ..... D14/433  
D784,357 S \* 4/2017 Mombauer ..... D14/480.5  
9,746,881 B2 \* 8/2017 Owens, Jr. .... G06F 1/1632  
D796,514 S \* 9/2017 Xu ..... D14/433  
D797,747 S \* 9/2017 Xu ..... D14/433  
D797,751 S \* 9/2017 Houston ..... D14/420  
2002/0092792 A1 \* 7/2002 Wolf, Jr. .... A63B 57/00  
206/579  
2004/0057199 A1 \* 3/2004 Azuchi ..... G06F 1/1626  
361/679.3

\* cited by examiner

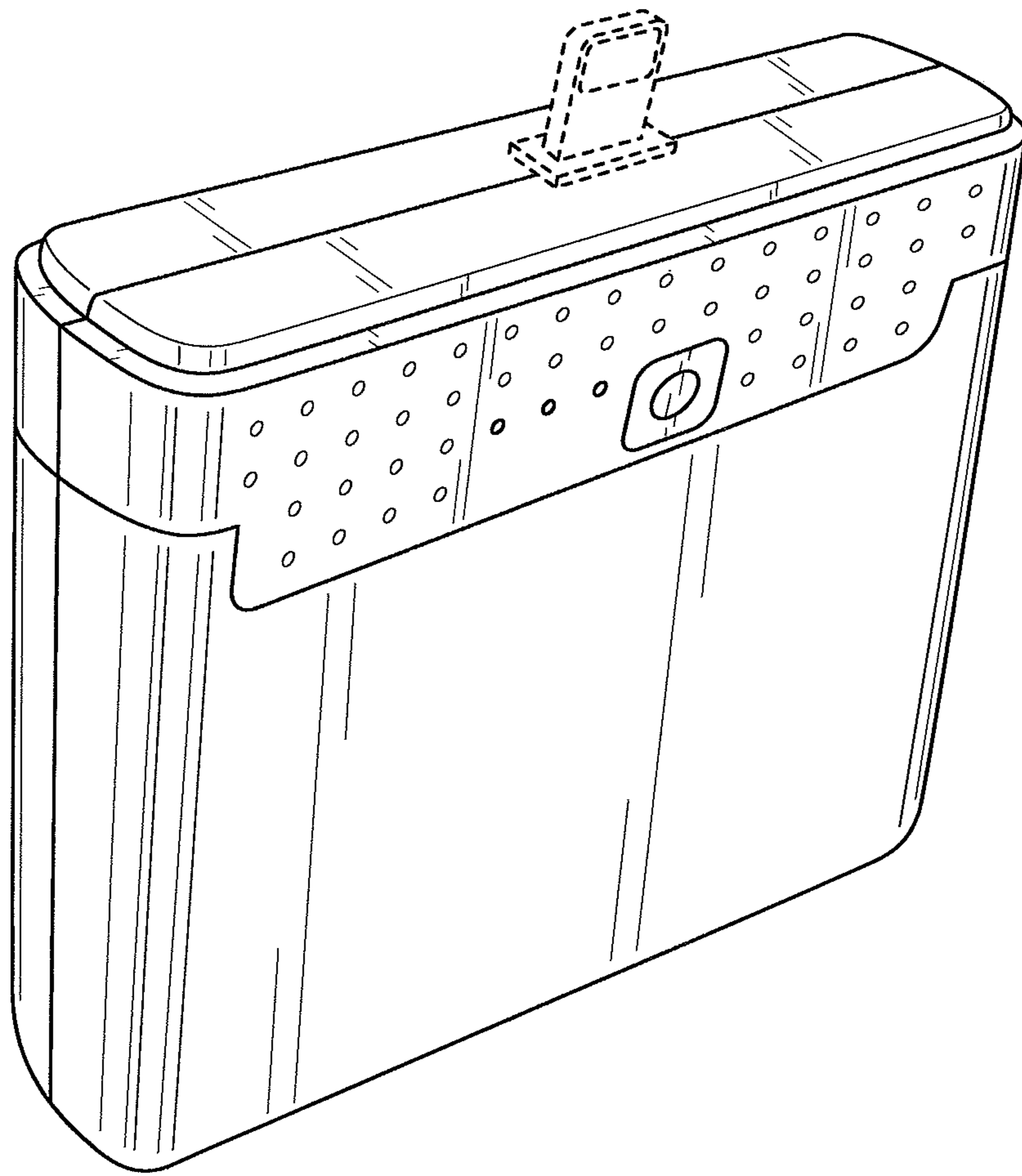


FIG. 1

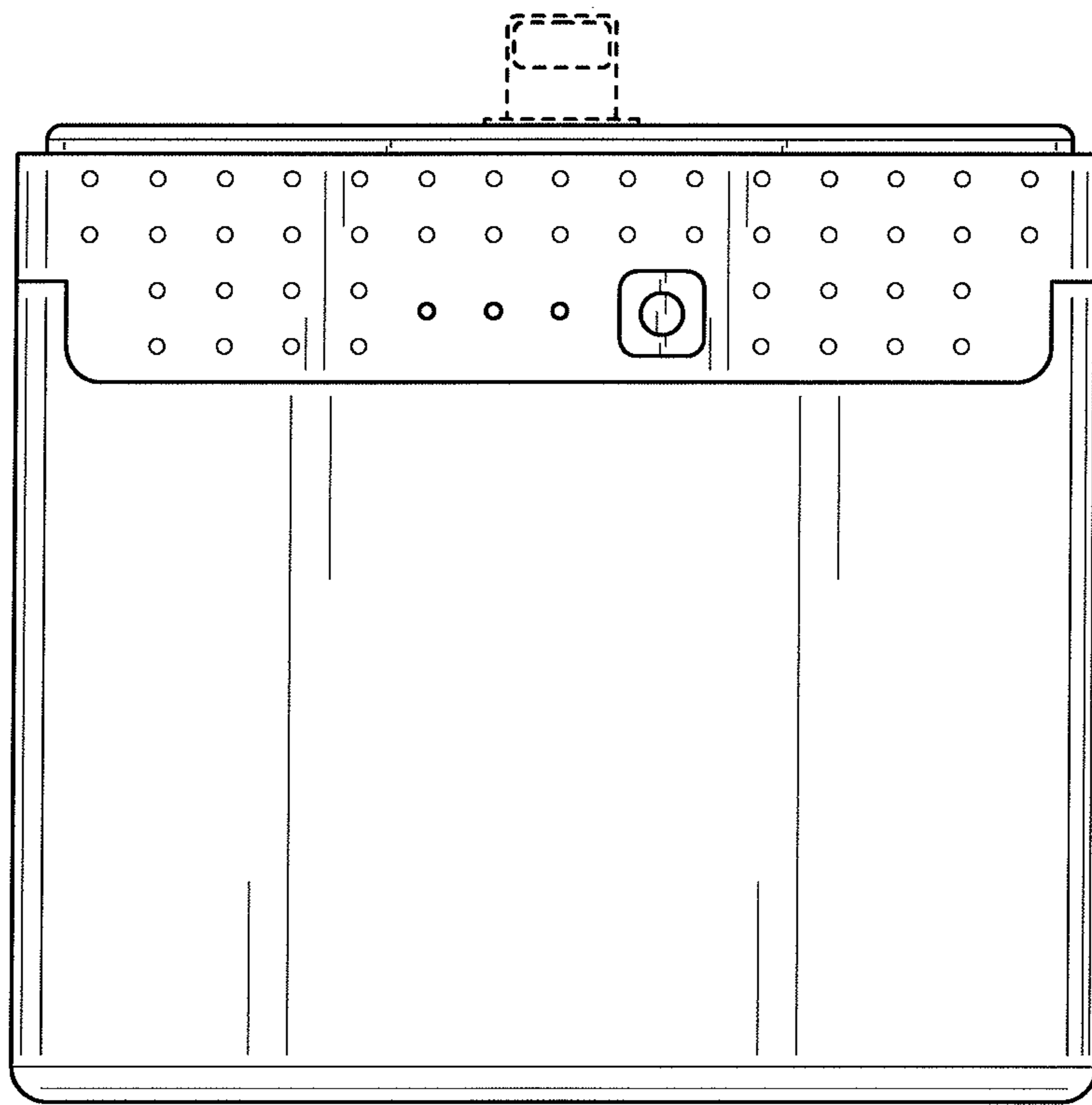


FIG. 2

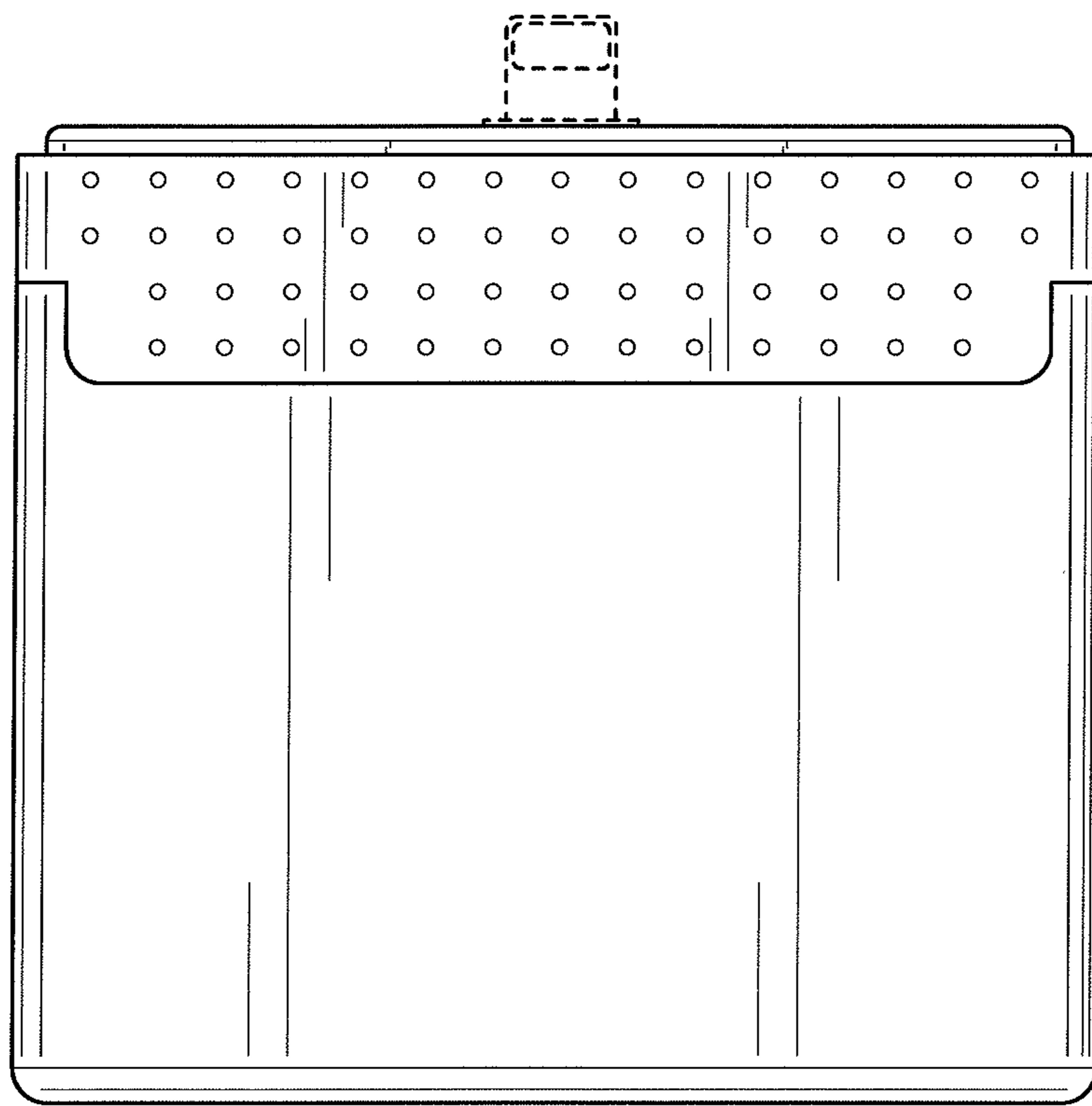


FIG. 3

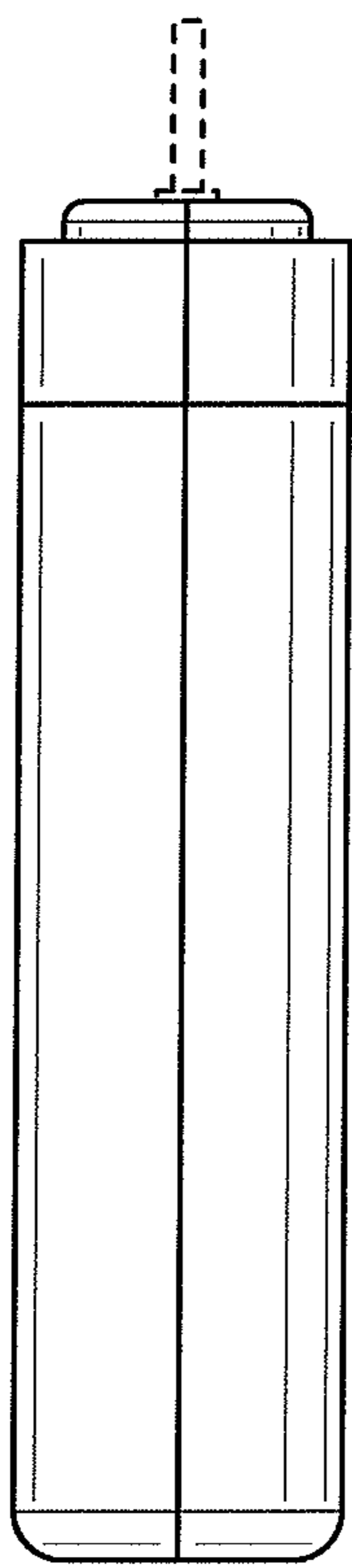


FIG. 4

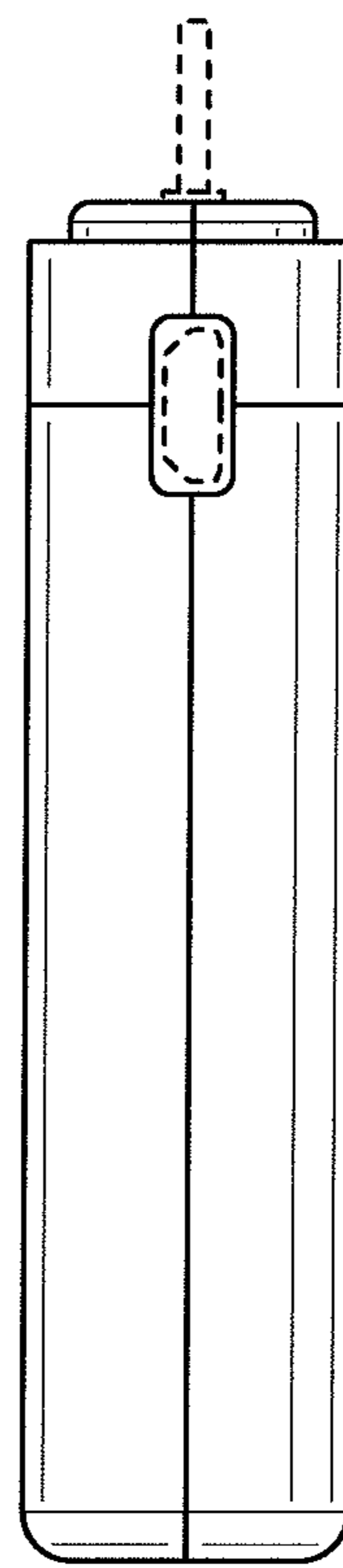


FIG. 5

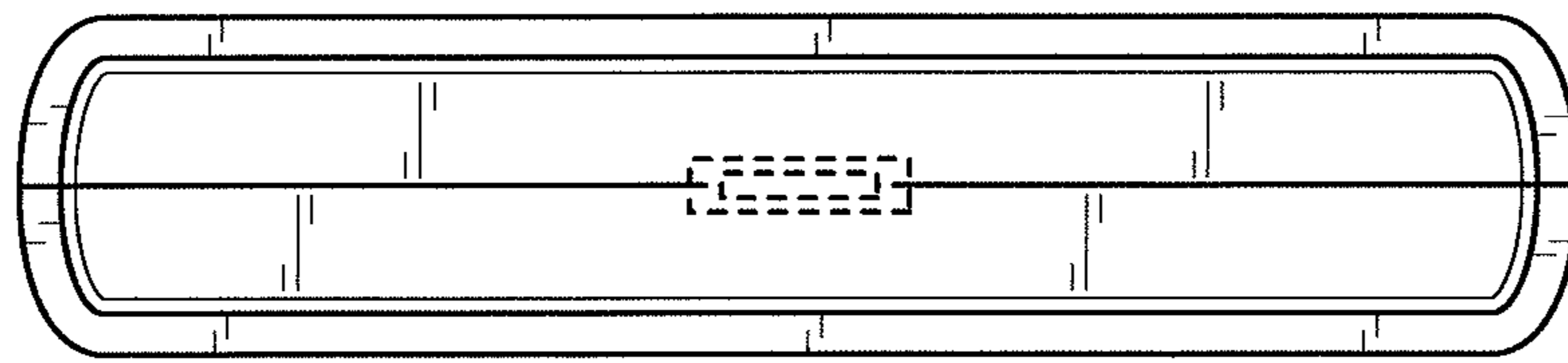


FIG. 6

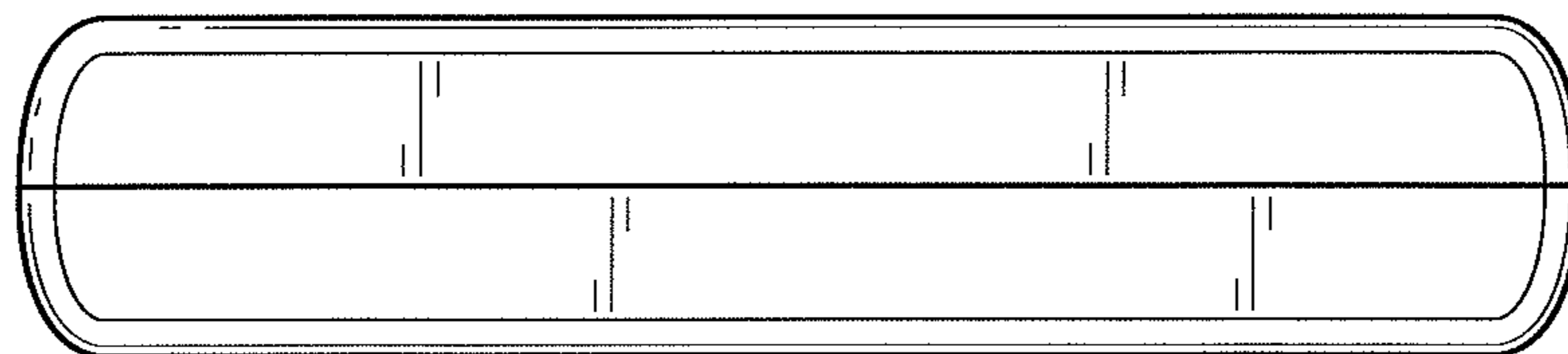


FIG. 7