



US00D814406S

(12) **United States Design Patent**
Yang et al.

(10) **Patent No.:** **US D814,406 S**

(45) **Date of Patent:** **** Apr. 3, 2018**

(54) **CHARGER**

(71) Applicant: **Ningbo Gude Electronic Technology Co., Ltd**, Ningbo, Zhejiang (CN)

(72) Inventors: **Zhaolin Yang**, Zhejiang (CN); **Jianrong Zhou**, Zhejiang (CN); **Jun Wang**, Zhejiang (CN); **Shilin Wang**, Zhejiang (CN); **Rongjiang Wang**, Zhejiang (CN)

(73) Assignee: **Ningbo Gude Electronic Technology Co., Ltd**, Ningbo (CN)

(**) Term: **15 Years**

(21) Appl. No.: **29/601,195**

(22) Filed: **Apr. 20, 2017**

(30) **Foreign Application Priority Data**

Jan. 23, 2017 (CN) 2017 3 0027871

(51) **LOC (11) Cl.** **13-02**

(52) **U.S. Cl.**
USPC **D13/107**

(58) **Field of Classification Search**

USPC D13/107, 108, 109, 110, 118, 119, 184, D13/103; D14/251, 253, 432, 434, 224, D14/209.01, 216, 217
CPC Y02E 60/12; Y02T 90/14; Y02T 90/122; Y02T 90/128; Y02T 90/163; H02J 7/025; H02J 7/0042; H02J 7/0044; H02J 7/0045; H02J 7/0003; H02J 2001/008; H02J 3/32; H02J 3/008; H02J 7/0027; H02J 7/0013; H02J 7/0054; H02J 7/00; H01F 38/14; H01R 13/6675; H01M 2/1022; H01M 2/1055; H01M 10/44; H01M 10/46; H01M 10/425; B60L 11/182; B60L 11/1809; B60L 11/1861; B60R 16/03

See application file for complete search history.

(56) **References Cited**

U.S. PATENT DOCUMENTS

D617,267 S *	6/2010	Li	D13/107
D654,854 S *	2/2012	Inskeep	D13/107
D681,550 S *	5/2013	Corbin	D13/103
D694,180 S *	11/2013	Inskeep	D13/107
D742,822 S *	11/2015	Ju	D13/103
D743,332 S *	11/2015	Ju	D13/103
D745,455 S *	12/2015	Nook	D13/103
D746,770 S *	1/2016	Nook	D13/103
D786,192 S *	5/2017	Liu	D13/107
D788,032 S *	5/2017	Yang	D13/107
D793,955 S *	8/2017	Yang	D13/107
D803,151 S *	11/2017	Zhou	D13/107

* cited by examiner

Primary Examiner — Rosemary K Tarcza

Assistant Examiner — Christy Nemeth

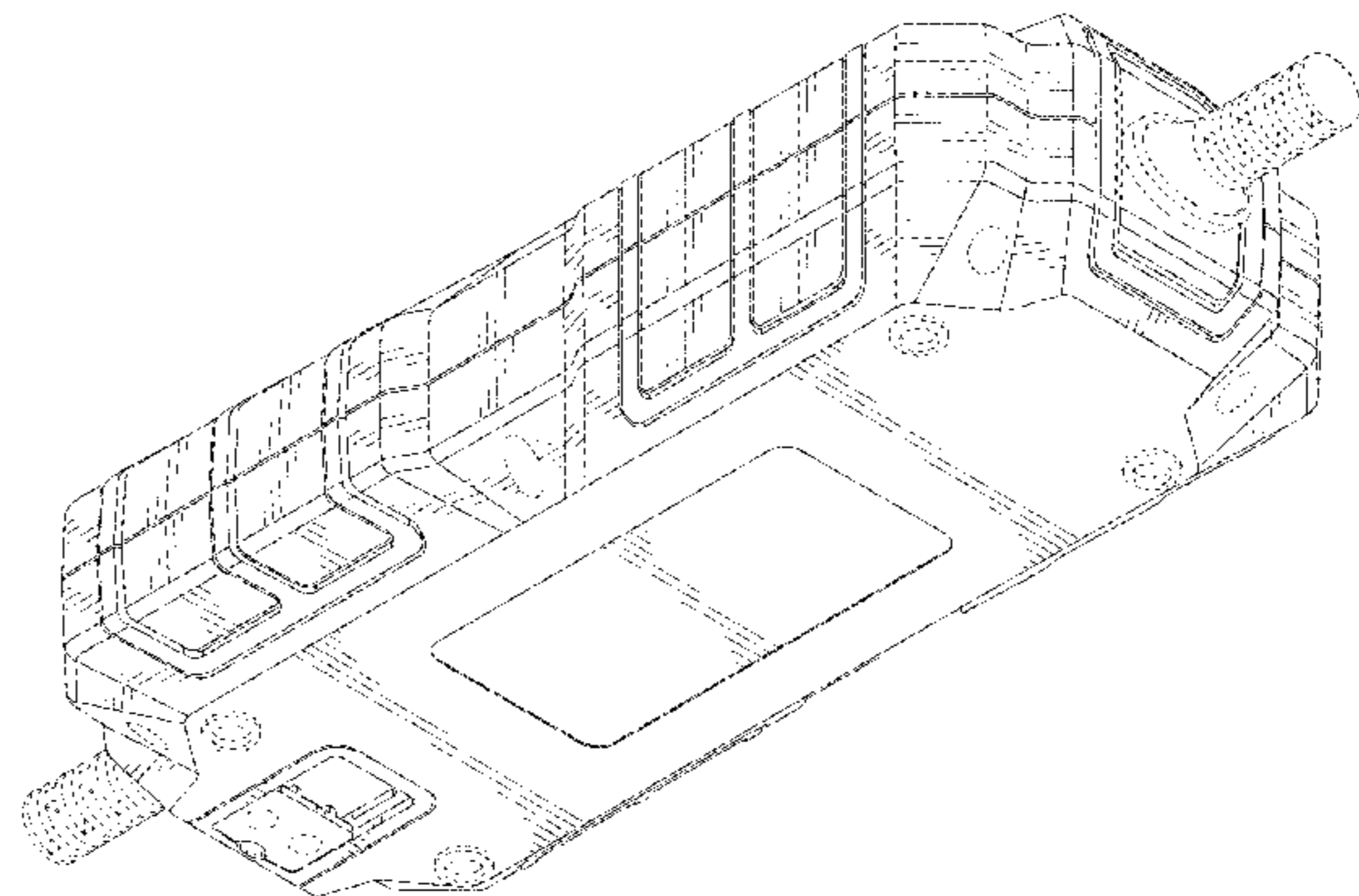
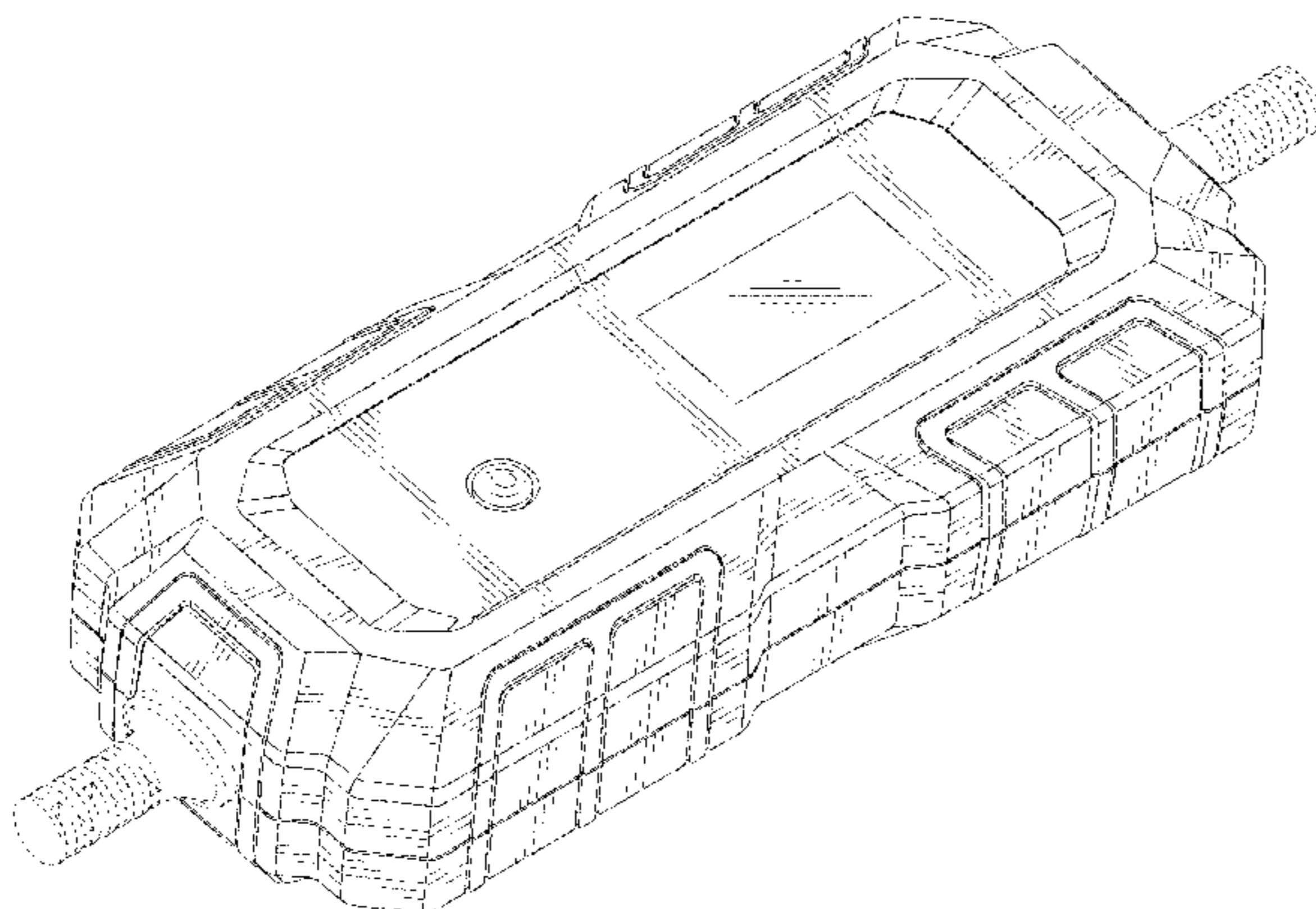
(57) **CLAIM**

The ornamental design for a charger, as shown and described.

DESCRIPTION

FIG. 1 is a front elevational view of a charger showing our new design;
FIG. 2 is a rear elevational view thereof;
FIG. 3 is a left side view thereof;
FIG. 4 is a right side view thereof;
FIG. 5 is a top plan view thereof;
FIG. 6 is a bottom plan view thereof;
FIG. 7 is a front perspective view thereof;
FIG. 8 is another front perspective view thereof;
FIG. 9 is a rear perspective view thereof; and,
FIG. 10 is another rear perspective view thereof.
The oblique shade lines in the drawings represent reflective surfaces.

1 Claim, 10 Drawing Sheets



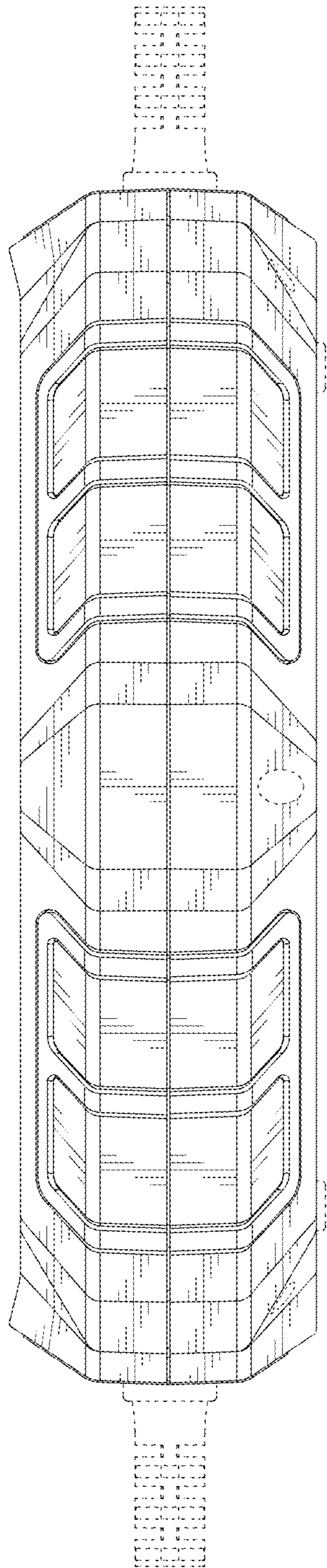


Fig. 1

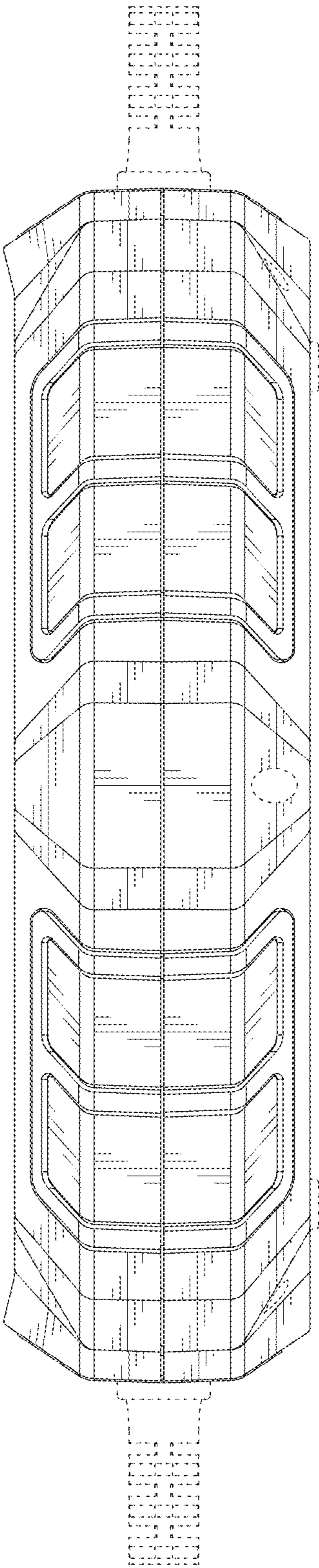


Fig. 2

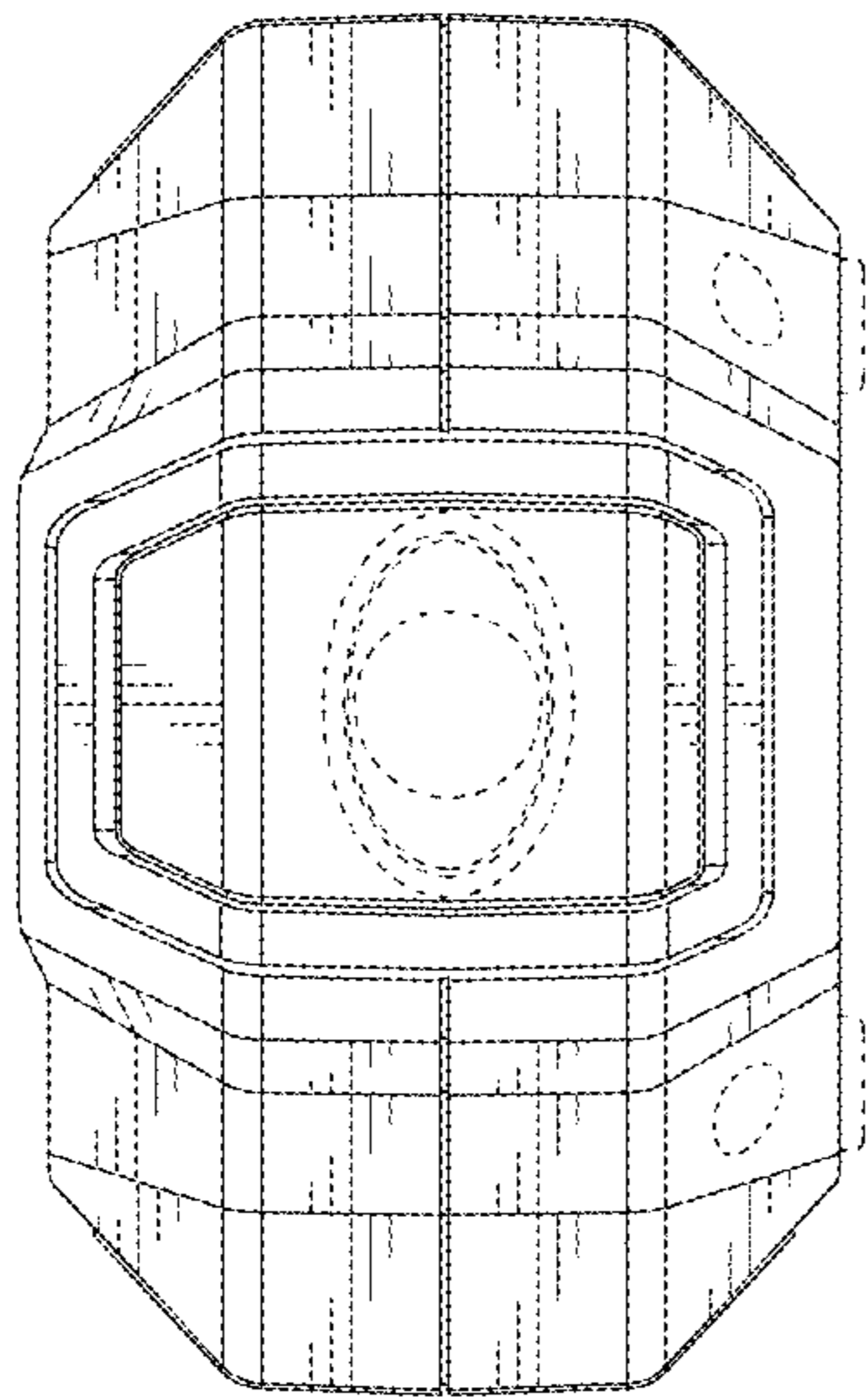


Fig. 3

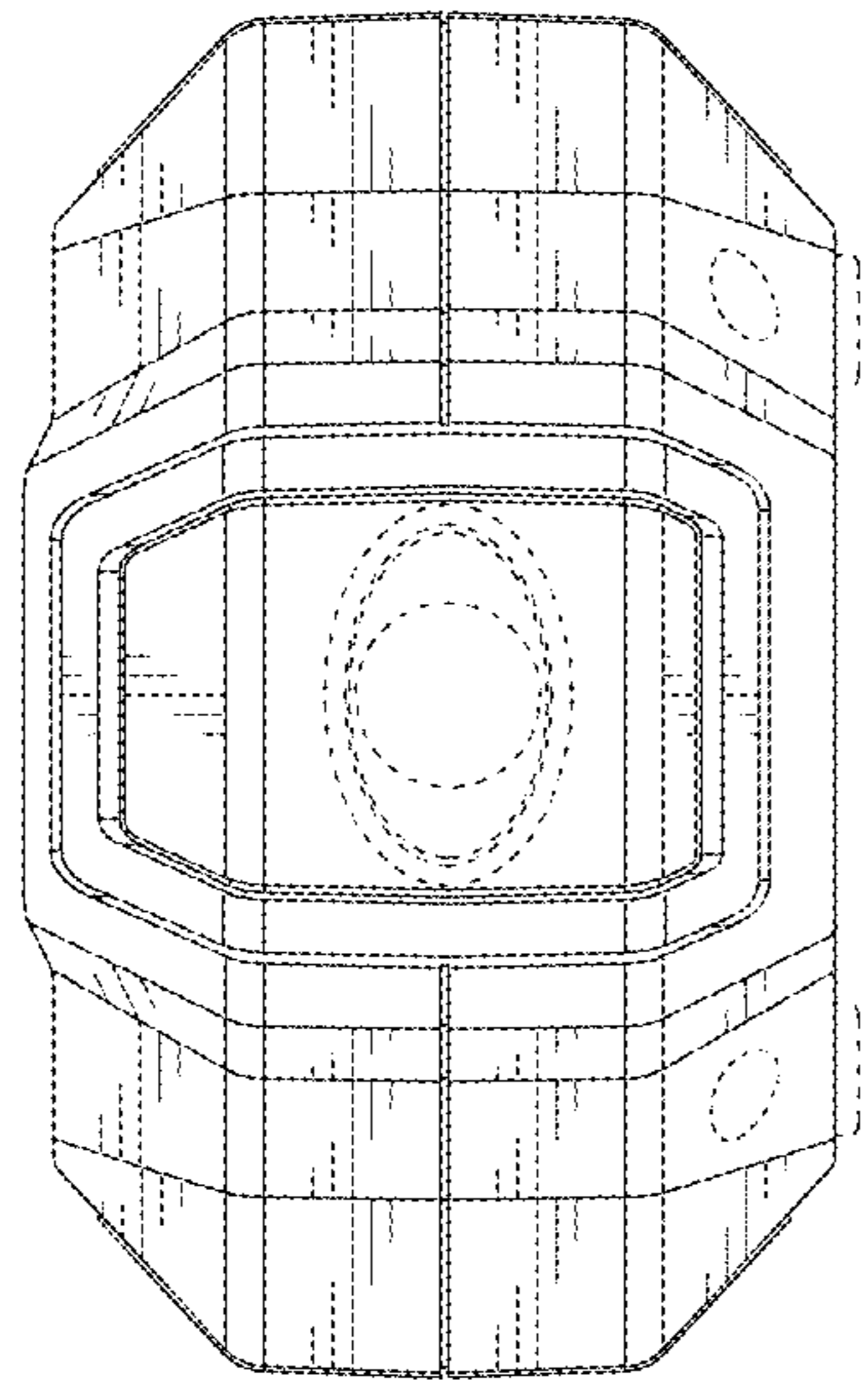


Fig. 4

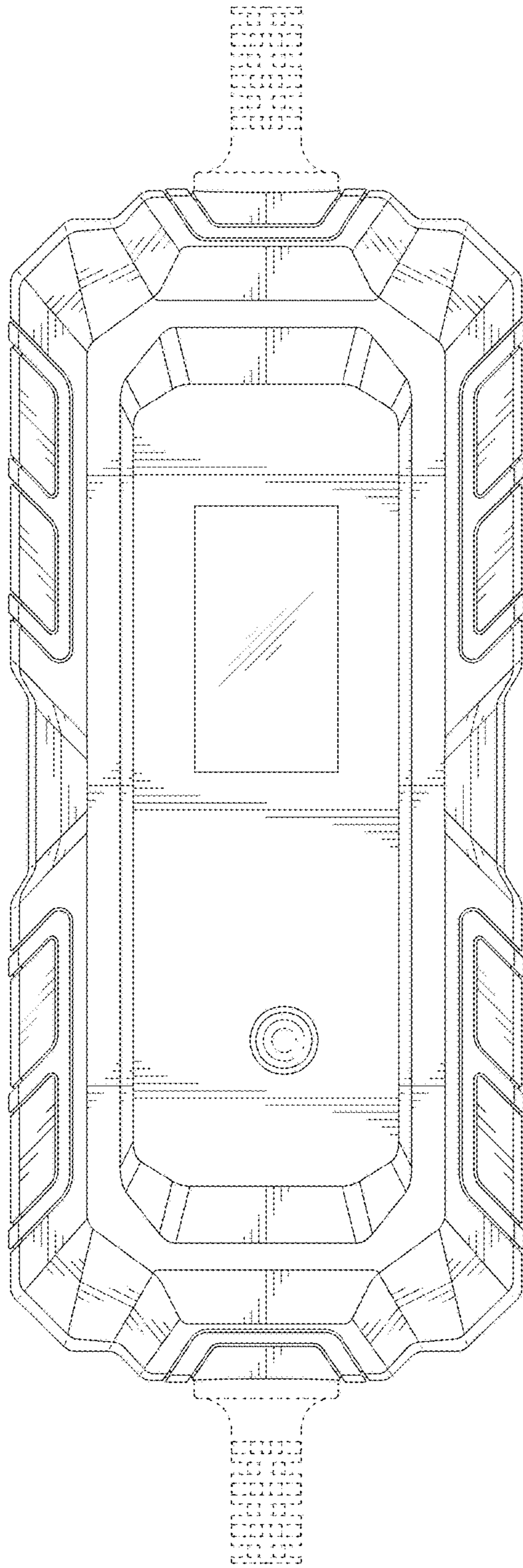


Fig. 5

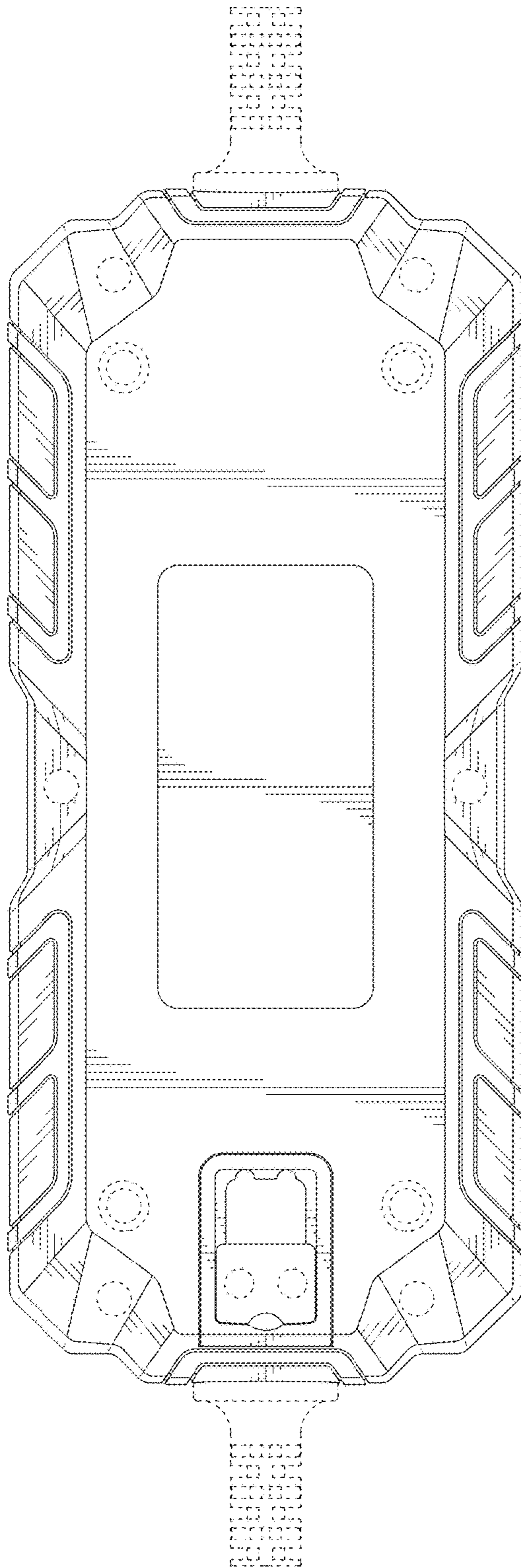


Fig. 6

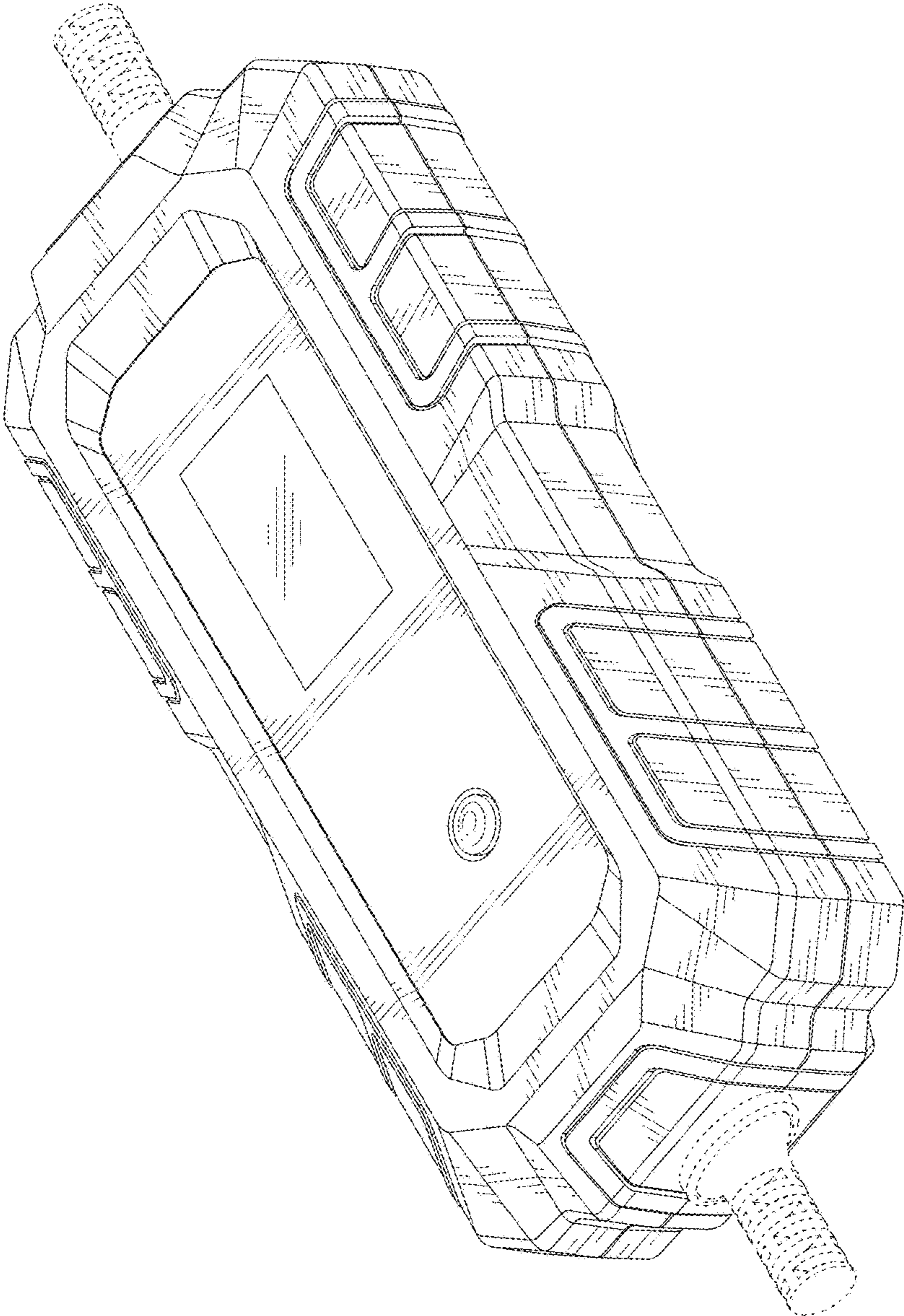


Fig. 7

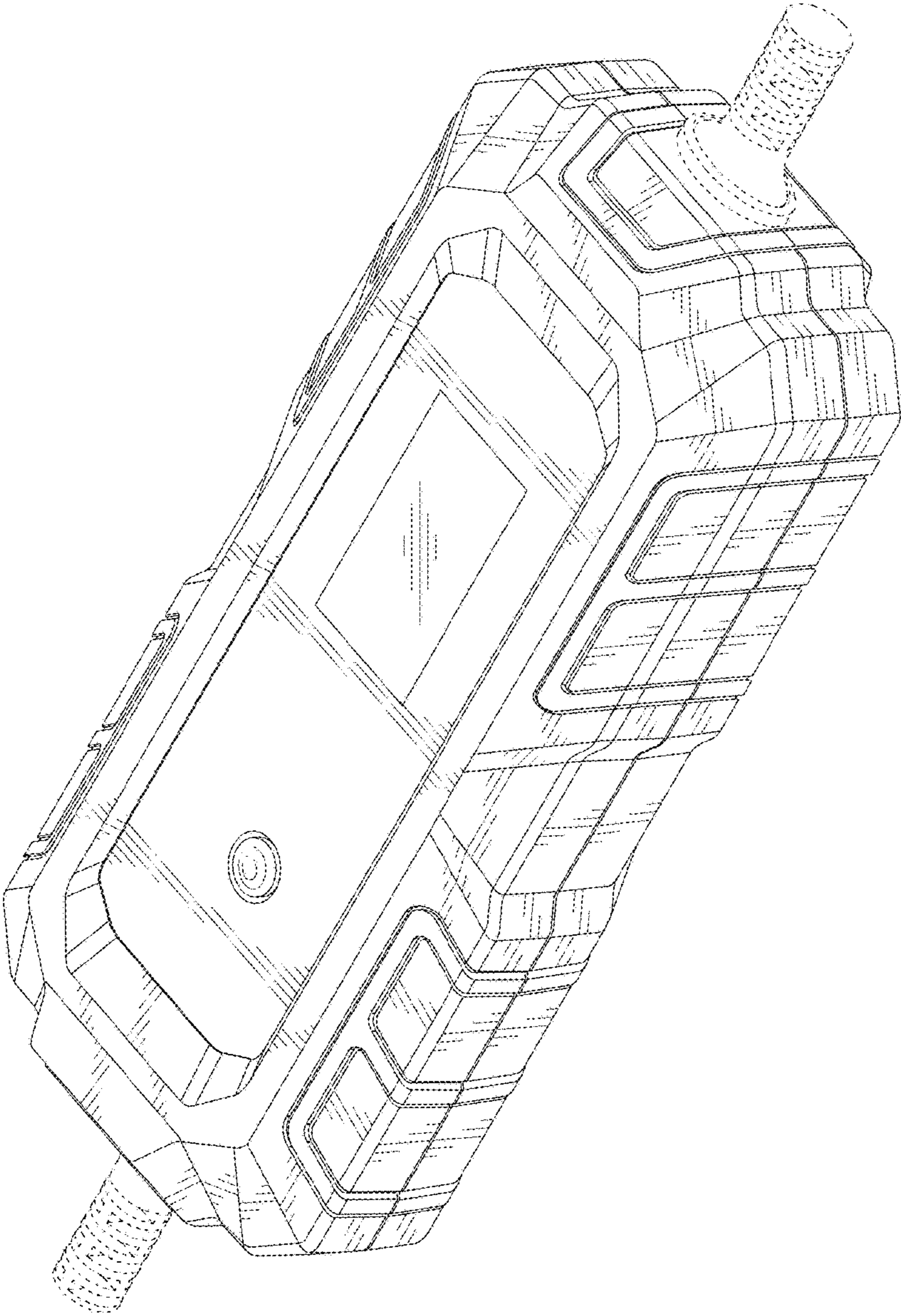


Fig. 8

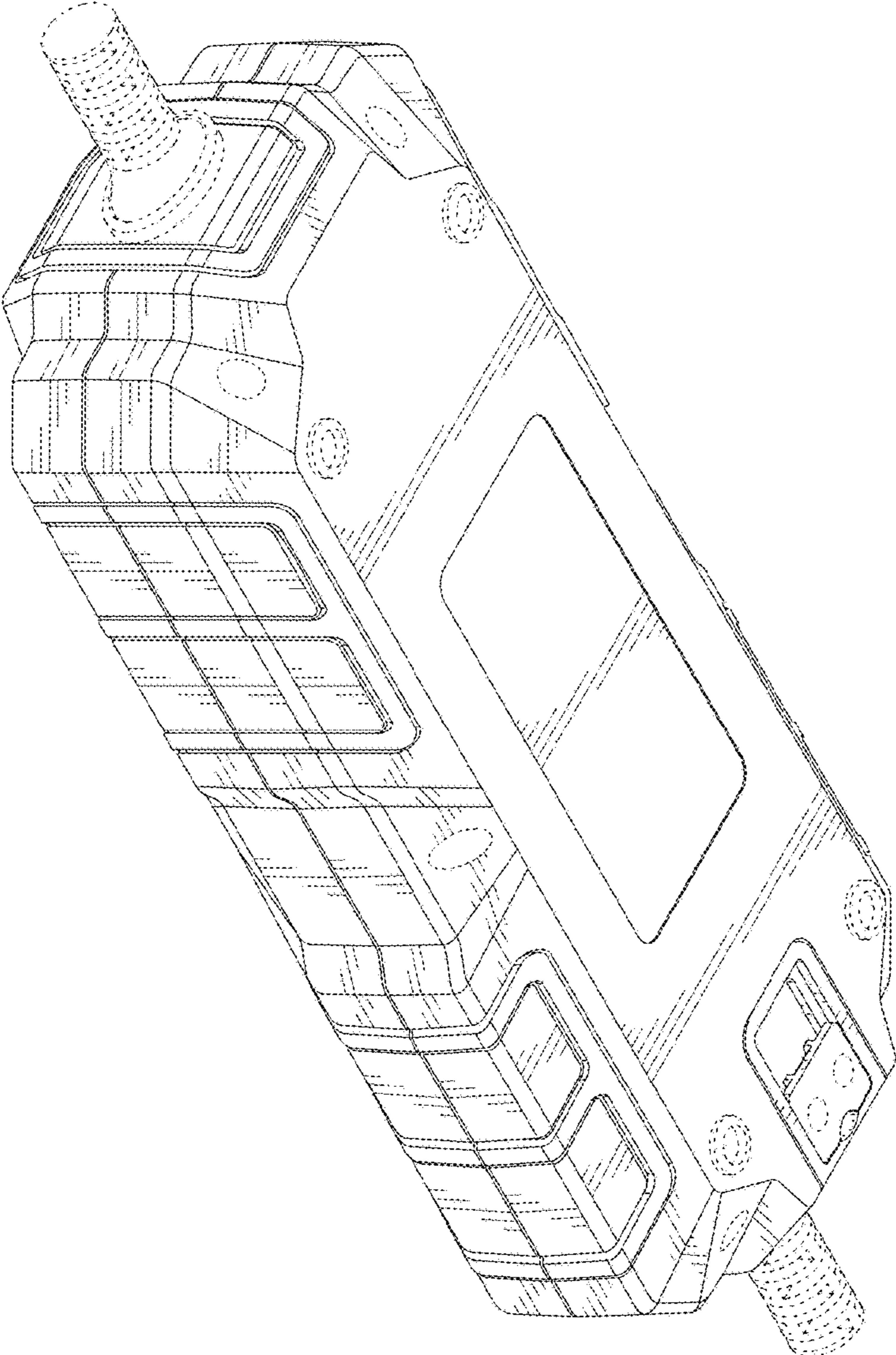


Fig. 9

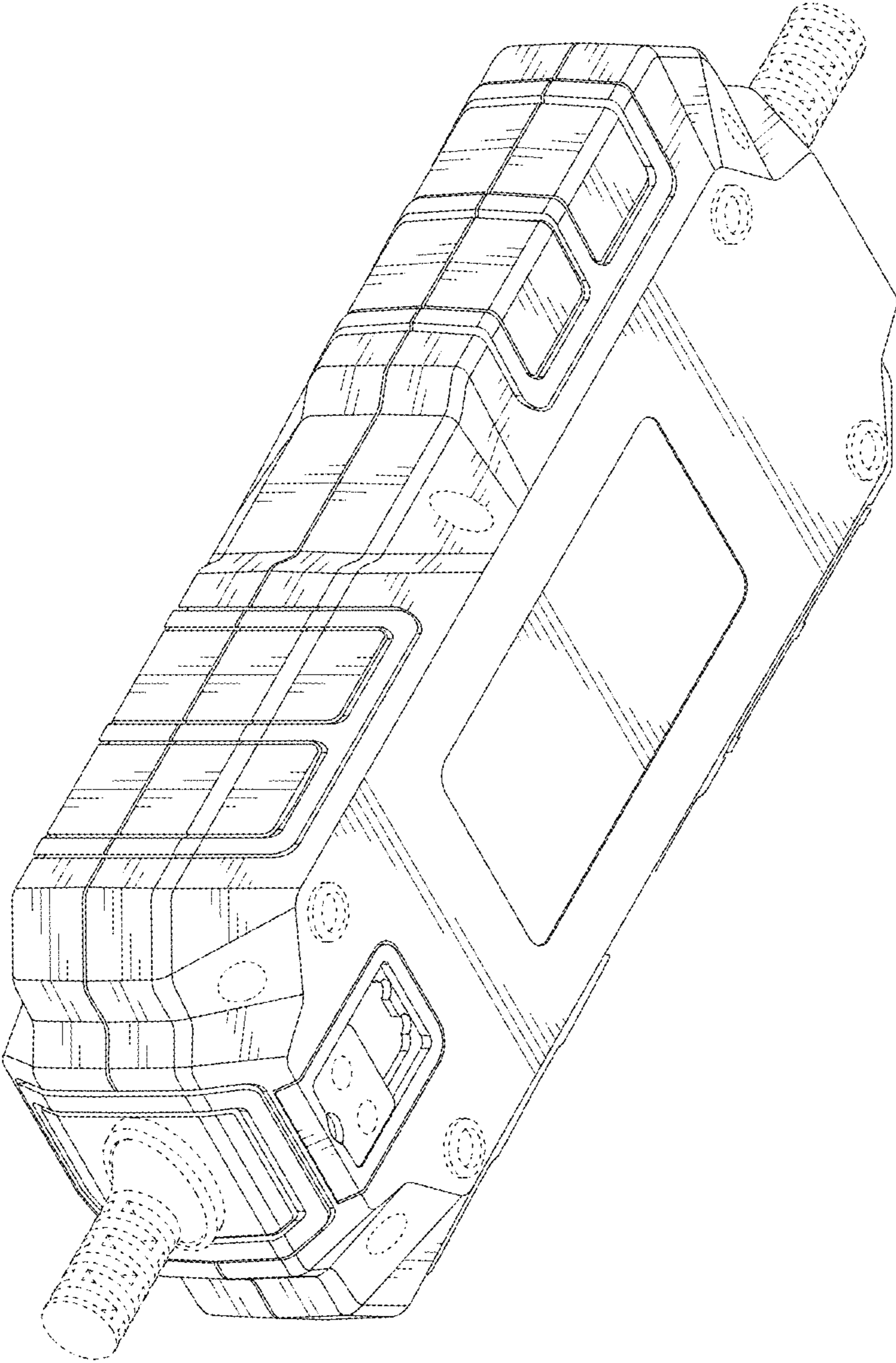


Fig. 10