



US00D814404S

(12) **United States Design Patent** (10) **Patent No.:** **US D814,404 S**
Barajas et al. (45) **Date of Patent:** **** Apr. 3, 2018**

(54) **BATTERY CHARGER**
(71) Applicant: **TRAXXAS LP**, McKinney, TX (US)
(72) Inventors: **Jaime Felix Barajas**, Dallas, TX (US);
Casey Christen Jens Christensen,
McKinney, TX (US); **Kent Potteet**,
Lucas, TX (US)
(73) Assignee: **TRAXXAS LP**, McKinney, TX (US)
(**) Term: **15 Years**
(21) Appl. No.: **29/572,846**
(22) Filed: **Jul. 31, 2016**

D559,885 S * 1/2008 Schoenert D16/225
D605,111 S * 12/2009 Schoch D13/107
D610,085 S * 2/2010 Sweeney D13/107
D633,037 S * 2/2011 Tschopp D13/107
D652,793 S * 1/2012 Tschopp D13/107
D653,204 S * 1/2012 Whiting D13/107
D653,617 S * 2/2012 Li D13/115
D654,023 S * 2/2012 Kyle Ching Hao D13/110
D654,856 S * 2/2012 Inskeep D13/107
D655,245 S * 3/2012 Itoh D13/110
D659,091 S * 5/2012 Sasada D13/107
D659,636 S * 5/2012 Okuda D13/108
D660,793 S * 5/2012 Inskeep D13/107
D662,053 S * 6/2012 Inskeep D13/110
D664,499 S * 7/2012 Workman D13/107

(Continued)

FOREIGN PATENT DOCUMENTS

TW D173038 S 1/2016

Primary Examiner — Manpreet Matharu

Assistant Examiner — Suzanne Tisdell

(74) *Attorney, Agent, or Firm* — Daryl R. Wright; Greg Carr

(57) **CLAIM**

We claim the ornamental design for a battery charger, as shown and described.

DESCRIPTION

FIG. 1 is a top, right, front perspective view of a battery charger;

FIG. 2 is a front view thereof;

FIG. 3 is a rear view thereof;

FIG. 4 is a left side view thereof;

FIG. 5 is a right side view thereof;

FIG. 6 is a top view thereof; and,

FIG. 7 is a bottom view thereof.

Structural elements depicted by broken lines have been shown for the purpose of illustrating portions of the battery charger that form no part of the claimed design.

1 Claim, 5 Drawing Sheets

Related U.S. Application Data

(63) Continuation of application No. 29/503,566, filed on Sep. 26, 2014, now Pat. No. Des. 766,177.

(51) **LOC (11) Cl.** **13-02**

(52) **U.S. Cl.**
USPC **D13/107**

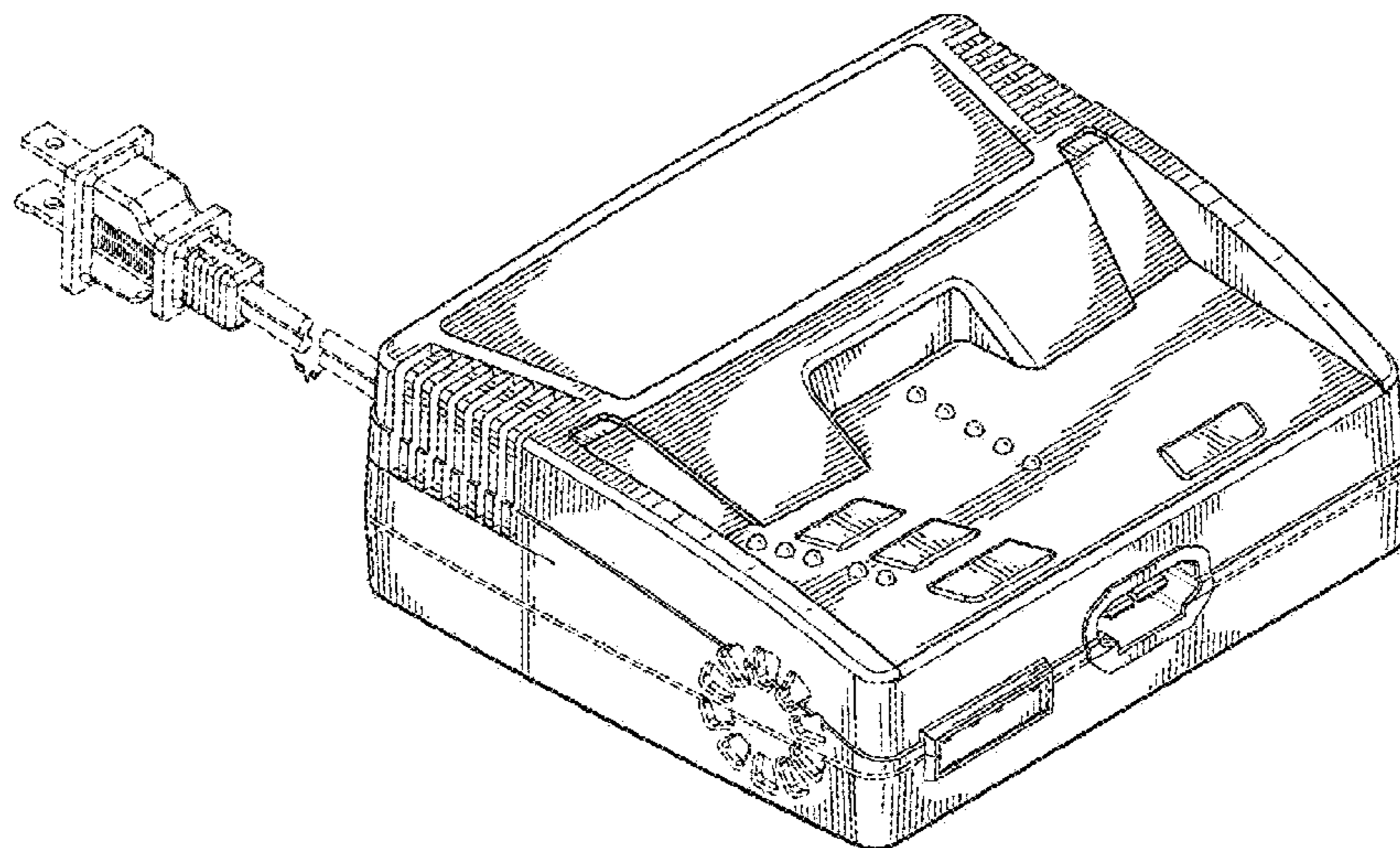
(58) **Field of Classification Search**
USPC D13/103, 107, 108, 109, 110, 118, 119,
D13/123, 133, 182, 199; D14/188, 253,
D14/432, 434

CPC . B60L 11/18; G01R 31/36; G06F 1/16; H01F 27/28; H01F 27/36; H01R 13/40; H01R 13/42; H01R 13/44; H01R 13/50; H01R 13/51; H01R 13/52; H02J 5/00; H01J 7/00; H01J 7/02; H04B 5/00
See application file for complete search history.

(56) **References Cited**

U.S. PATENT DOCUMENTS

D507,234 S * 7/2005 Heun D13/107
D507,525 S * 7/2005 Heun D13/107
D512,961 S * 12/2005 Okuda D13/103
D541,740 S * 5/2007 Tsai D13/108



(56)

References Cited

U.S. PATENT DOCUMENTS

D678,339 S *	3/2013	Hughes	D15/7
D689,024 S *	9/2013	Takata	D13/152
D693,294 S *	11/2013	Inskeep	D13/107
D693,762 S *	11/2013	Inskeep	D13/107
D710,301 S *	8/2014	Ferro	D13/116
D711,875 S *	8/2014	Daniel	D14/385
D713,399 S *	9/2014	Green	D14/253
D718,705 S *	12/2014	Naksen	D13/103
D727,329 S *	4/2015	Johnson	D14/434

* cited by examiner

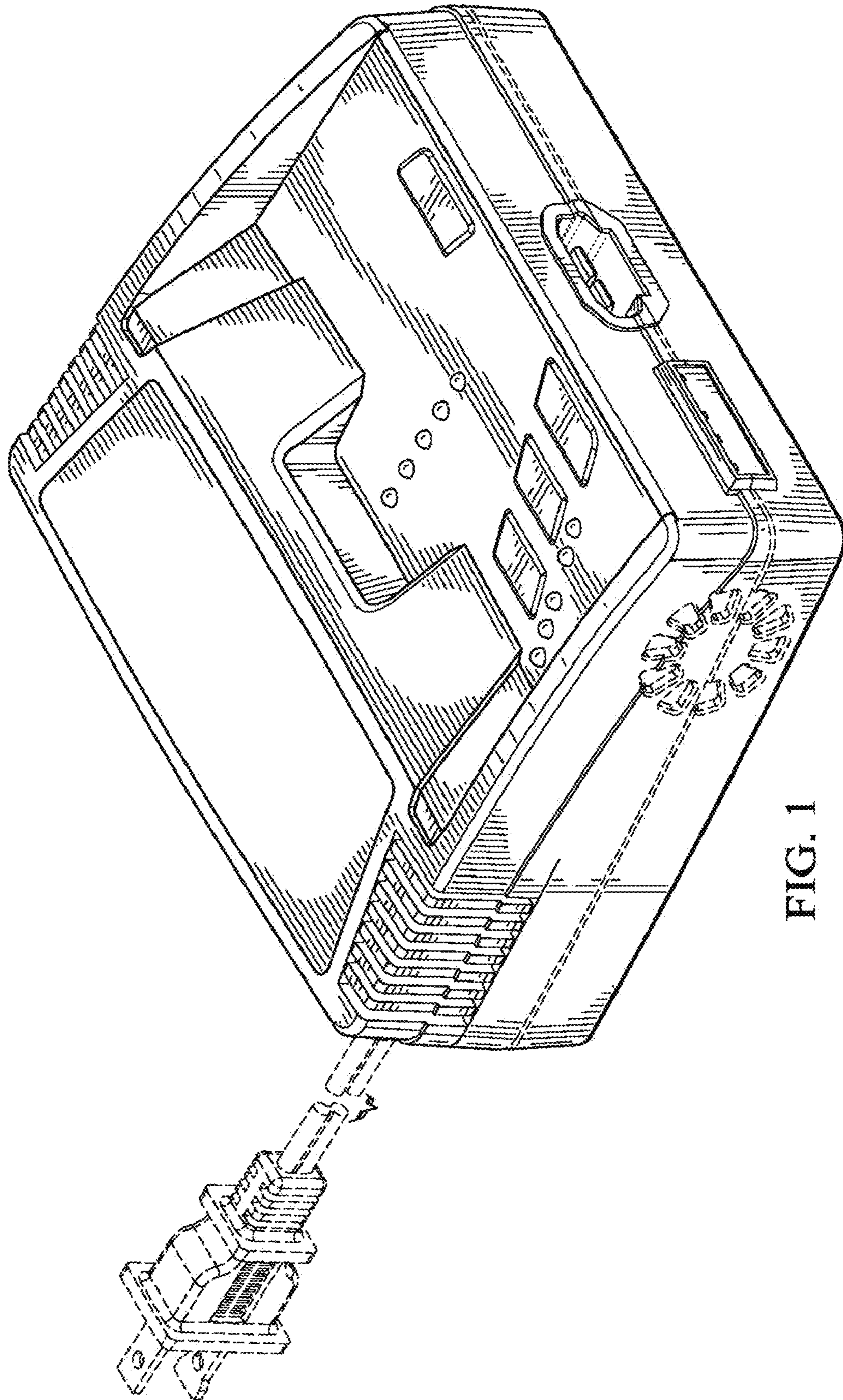


FIG. 1

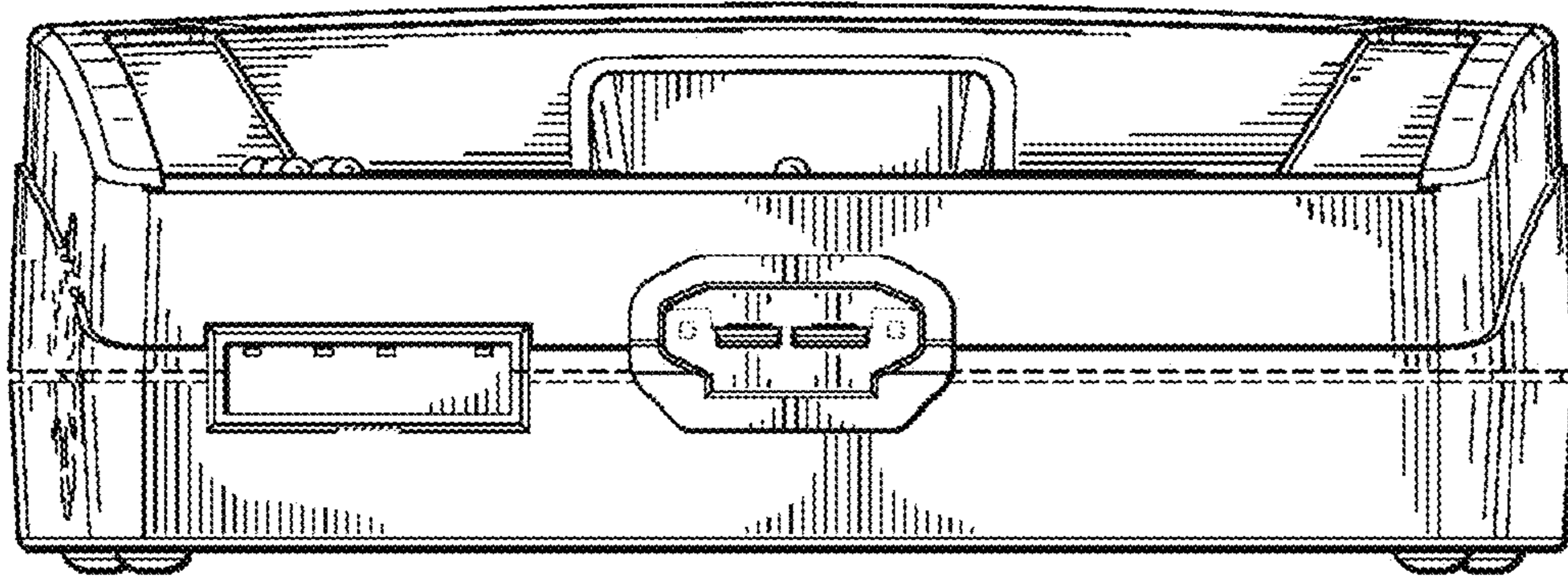


FIG. 2

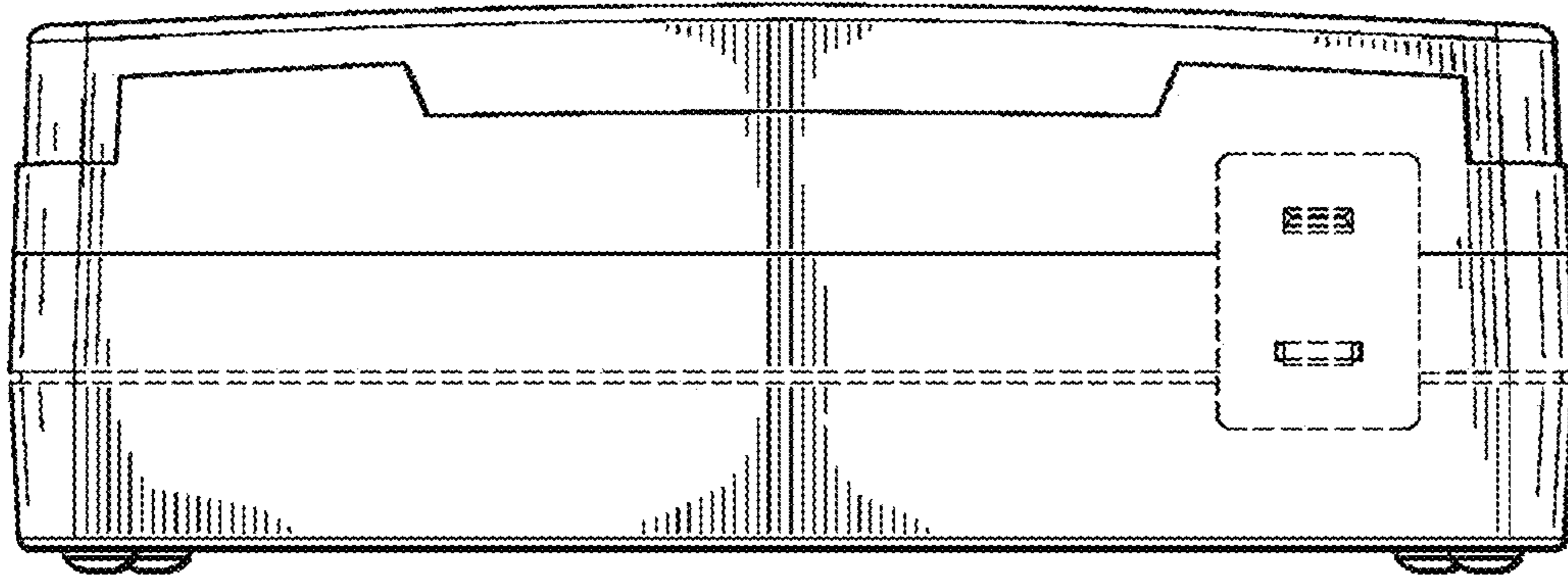


FIG. 3

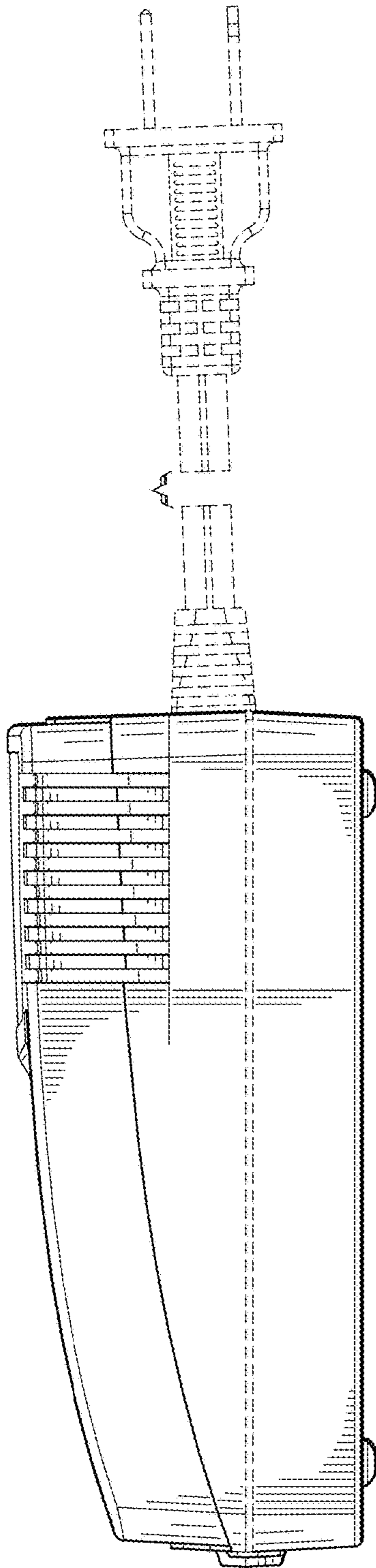


FIG. 4

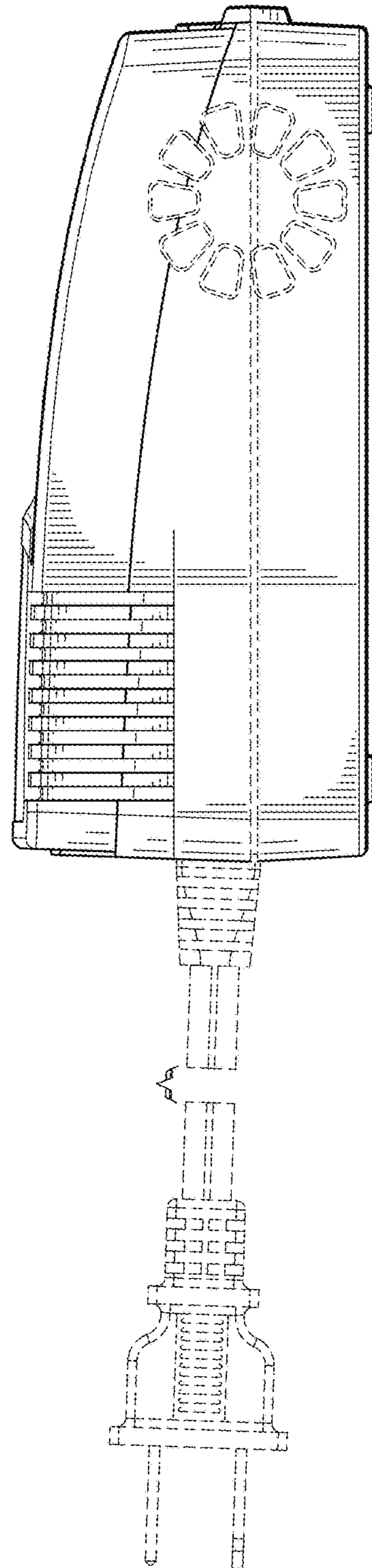


FIG. 5

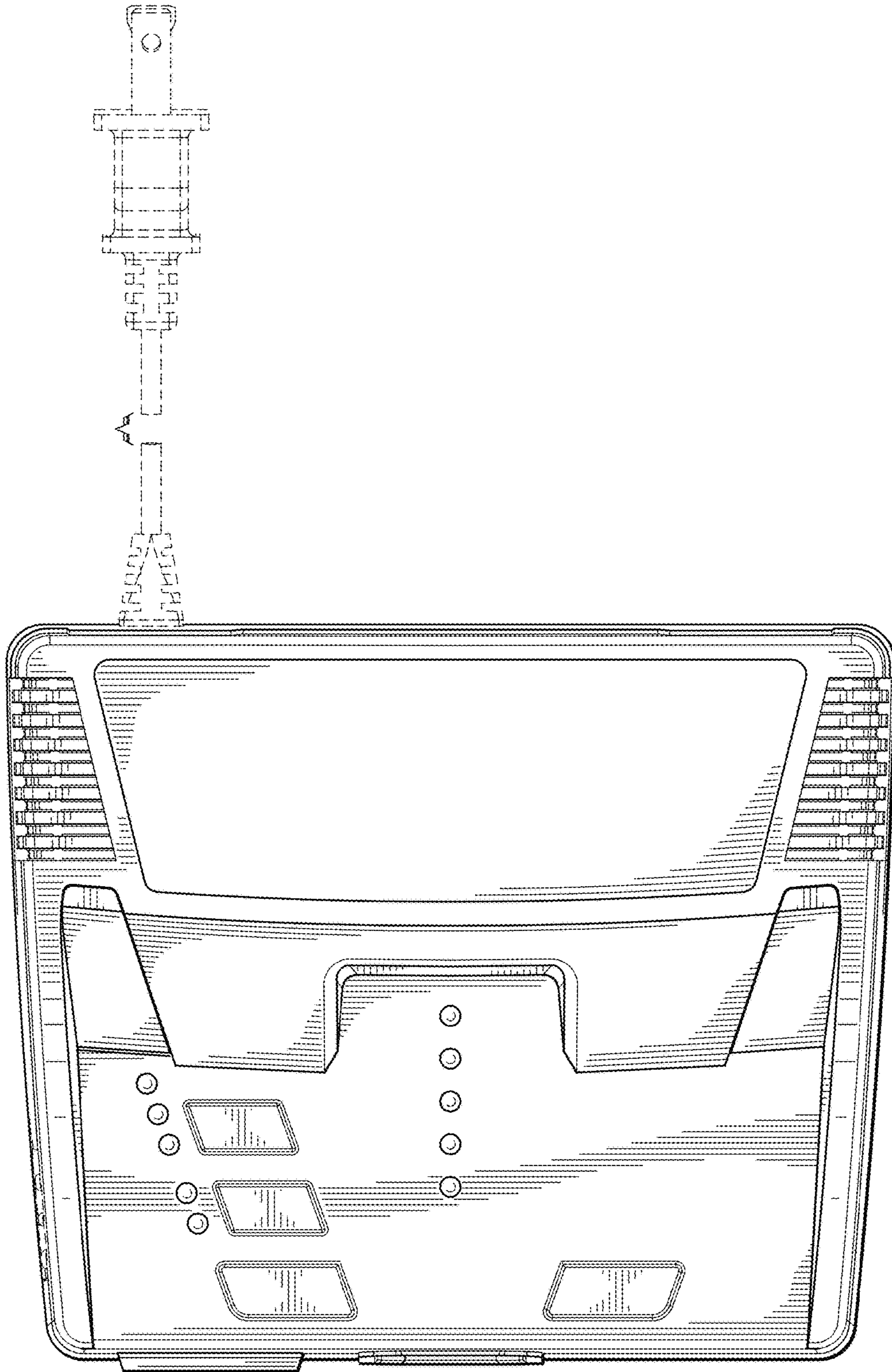


FIG. 6

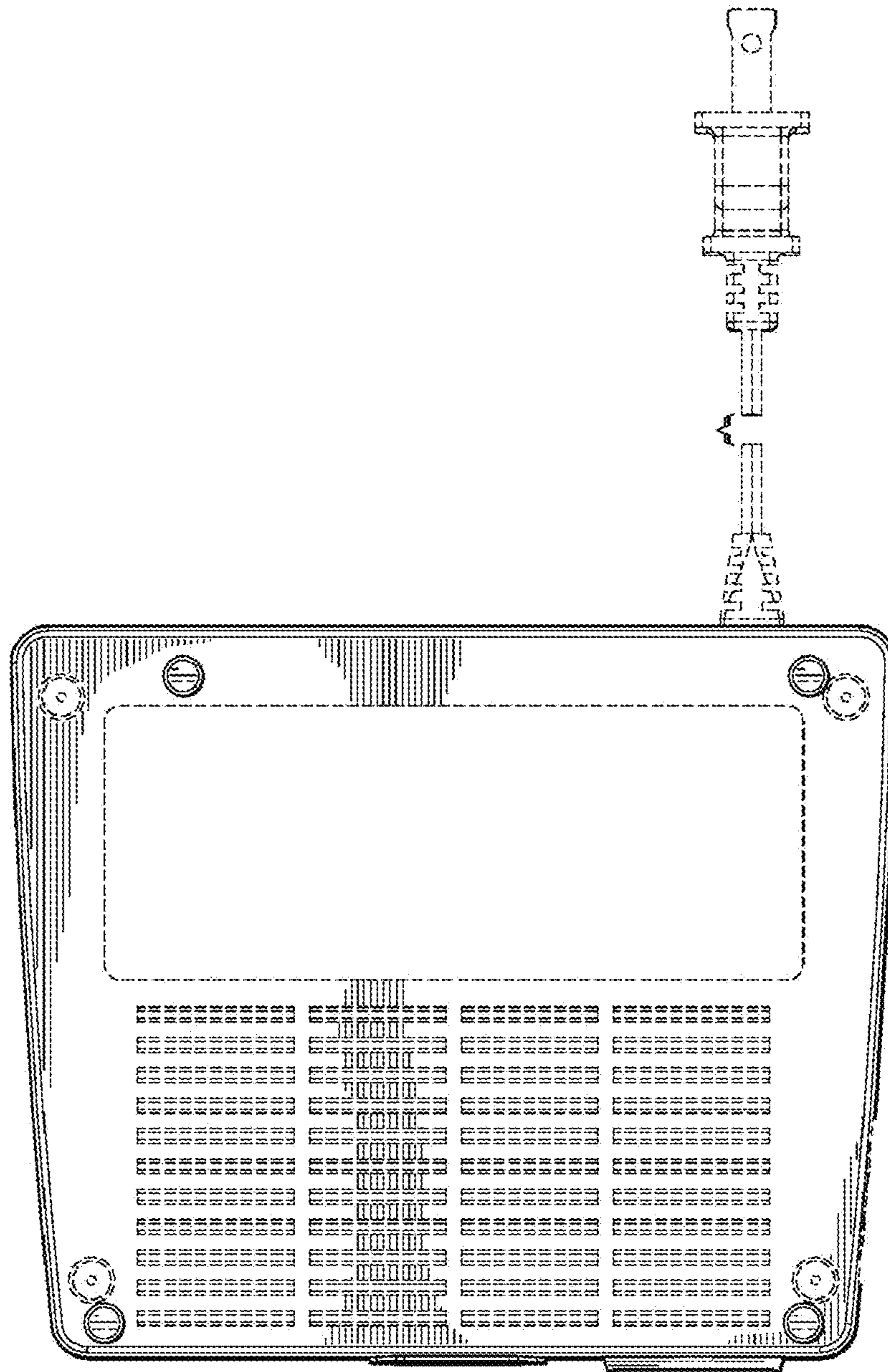


FIG. 7