



US00D814397S

(12) **United States Design Patent** (10) **Patent No.:** **US D814,397 S**
Yasunaga (45) **Date of Patent:** **** Apr. 3, 2018**

(54) **STUD PIN FOR TIRE**

D790,448 S * 6/2017 Yoon D12/605
D790,449 S * 6/2017 Yoon D12/605
2012/0227880 A1* 9/2012 Pons B60C 11/1643
152/208

(71) Applicant: **Toyo Tire & Rubber Co., Ltd.**,
Osaka-shi, Osaka (JP)

(72) Inventor: **Toshikazu Yasunaga**, Osaka (JP)

(73) Assignee: **Toyo Tire & Rubber Co., Ltd.**, Osaka
(JP)

(**) Term: **15 Years**

(21) Appl. No.: **29/588,121**

(22) Filed: **Dec. 19, 2016**

(30) **Foreign Application Priority Data**

Jun. 22, 2016 (JP) 2016-013317

(51) **LOC (11) Cl.** **12-15**

(52) **U.S. Cl.**
USPC **D12/608**

(58) **Field of Classification Search**
USPC D12/604-608, 501, 544, 579
CPC B60C 27/086; B60C 27/0223; B60C
11/1675; B60C 11/14
See application file for complete search history.

(56) **References Cited**

U.S. PATENT DOCUMENTS

D431,215 S * 9/2000 Nyblom D12/608
D550,611 S * 9/2007 Liukkula D12/608
D551,614 S * 9/2007 Liukkula D12/608
D559,775 S * 1/2008 Liukkula D12/608
D608,233 S * 1/2010 Pirhonen D12/608
D706,709 S * 6/2014 Matsumoto D12/608
D708,567 S * 7/2014 Matsumoto D12/608
D774,449 S * 12/2016 Matsumoto D12/608

FOREIGN PATENT DOCUMENTS

EM 000792247-0001 1/2009

OTHER PUBLICATIONS

U.S. Appl. No. 29/588,015, filed Dec. 16, 2016.
U.S. Appl. No. 29/588,120, filed Dec. 19, 2016.
U.S. Appl. No. 29/588,162, filed Dec. 19, 2016.

* cited by examiner

Primary Examiner — George D. Kirschbaum

Assistant Examiner — Clese Moore, Jr.

(74) *Attorney, Agent, or Firm* — Sterne, Kessler,
Goldstein & Fox P.L.L.C.

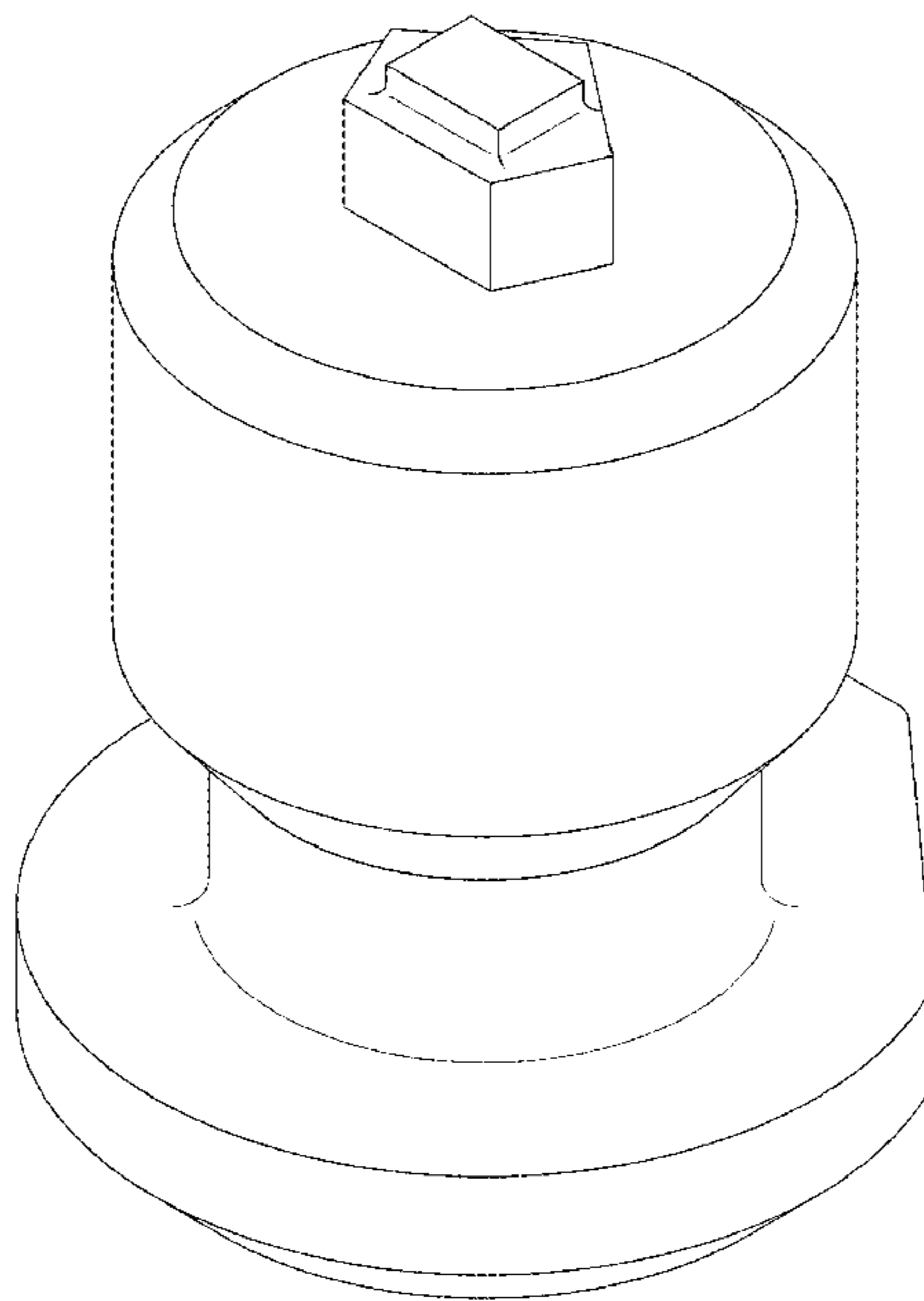
(57) **CLAIM**

The ornamental design for a stud pin for tire, as shown.

DESCRIPTION

FIG. 1 is a front perspective view of a stud pin for a tire showing the claimed design;
FIG. 2 is a front view thereof;
FIG. 3 is a rear view thereof;
FIG. 4 is a top plan view thereof;
FIG. 5 is a bottom plan view thereof; and,
FIG. 6 is a right side view thereof, the left side view being a mirror image thereof.

1 Claim, 6 Drawing Sheets



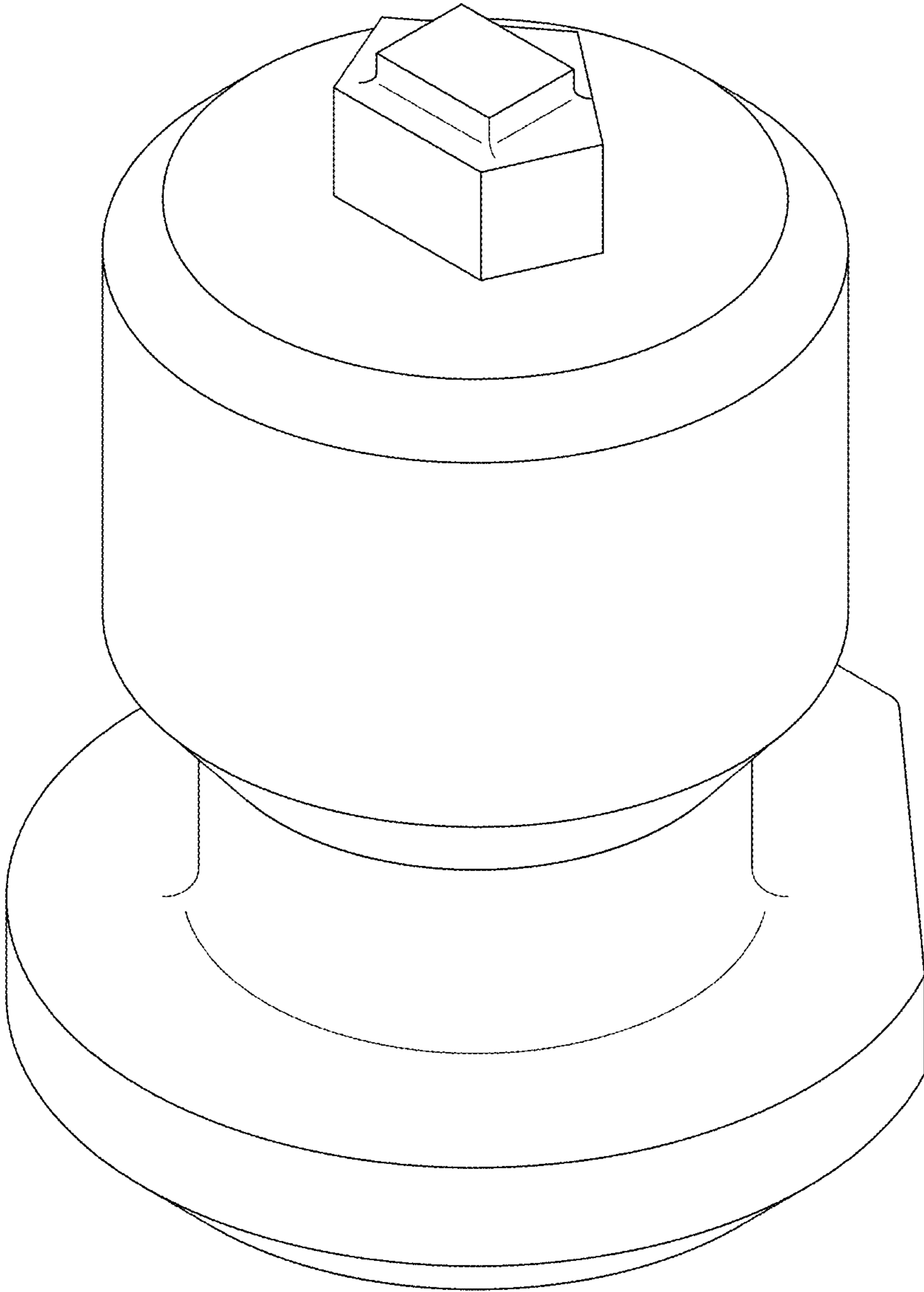


FIG. 1

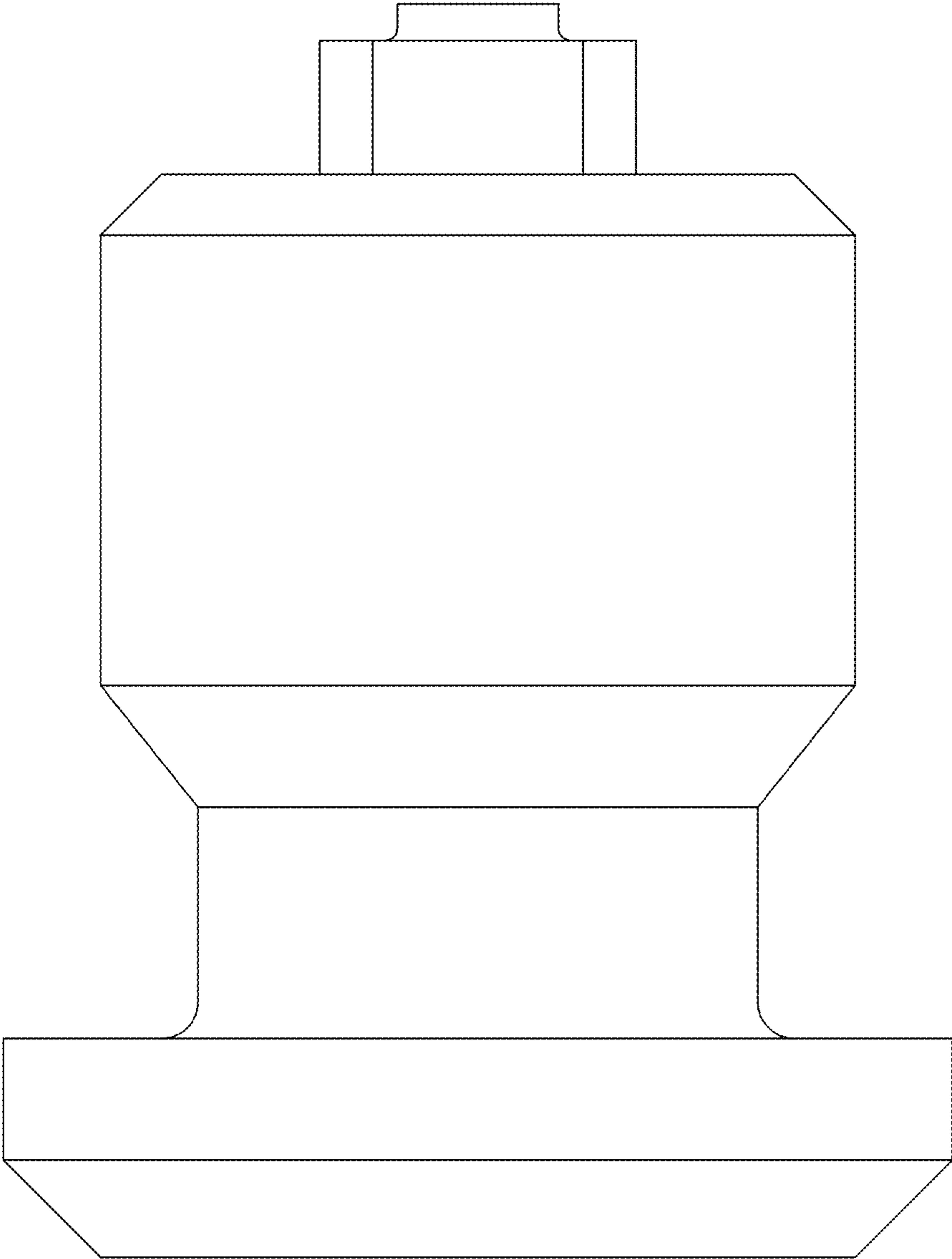


FIG. 2

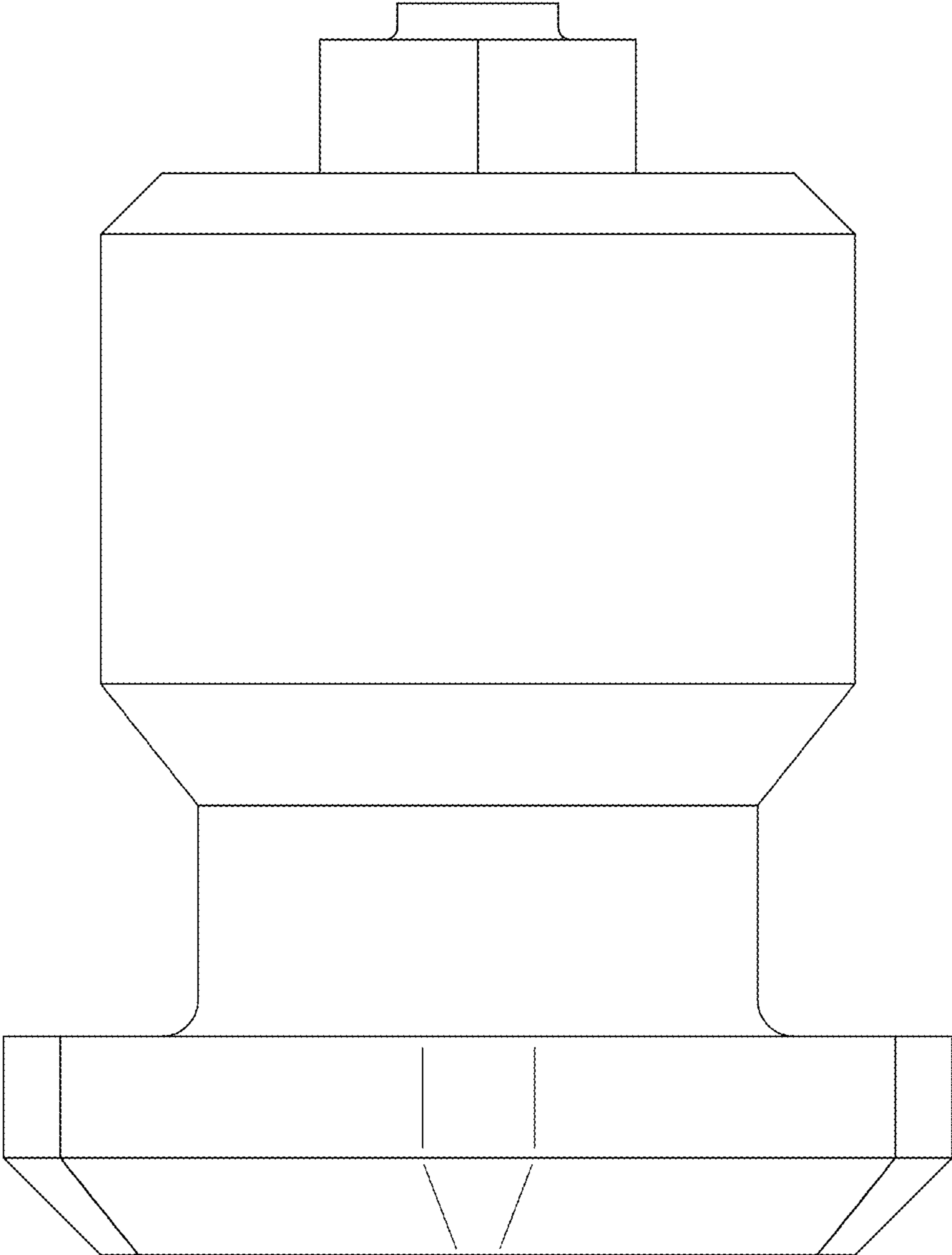


FIG. 3

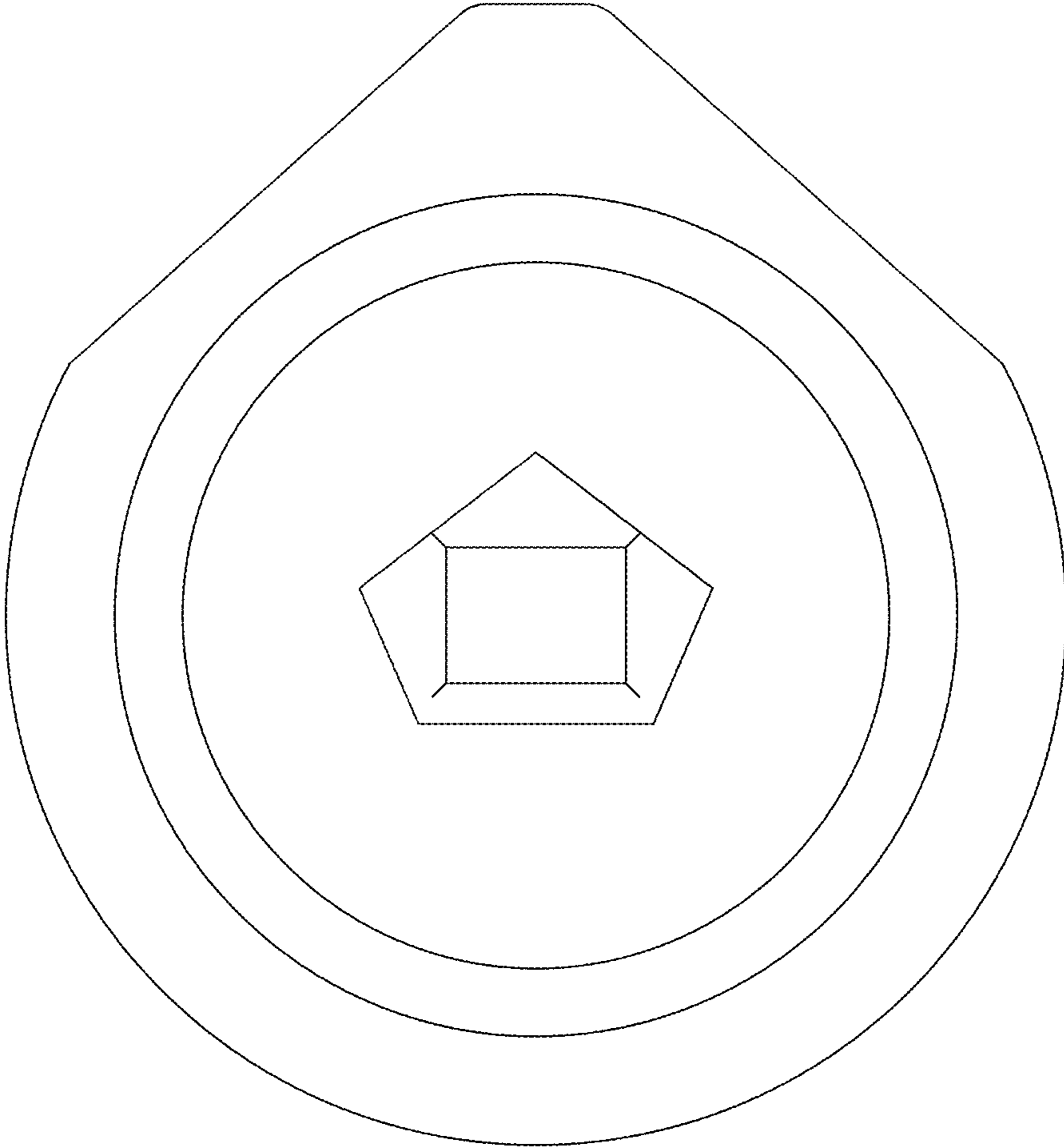


FIG. 4

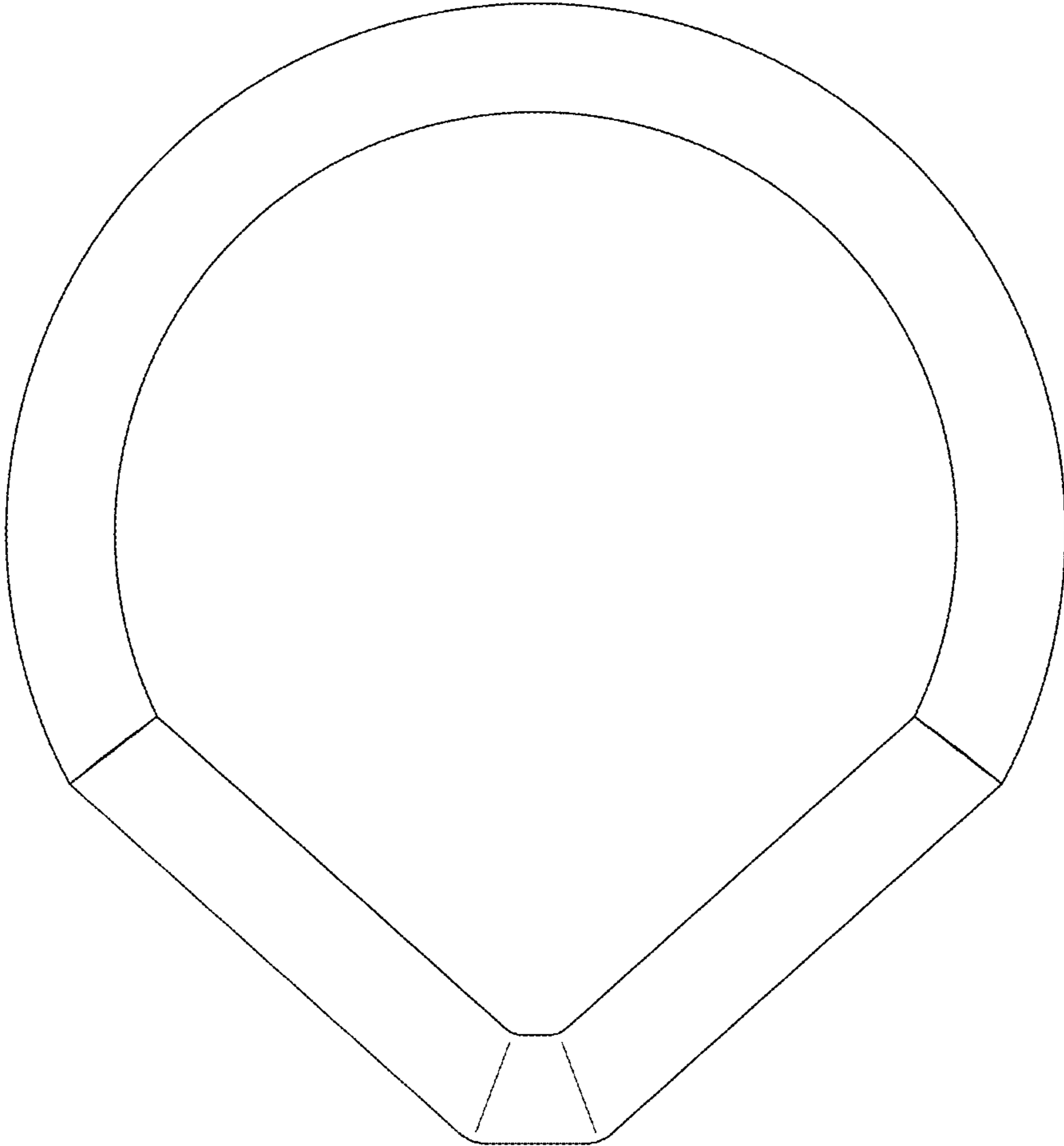


FIG. 5

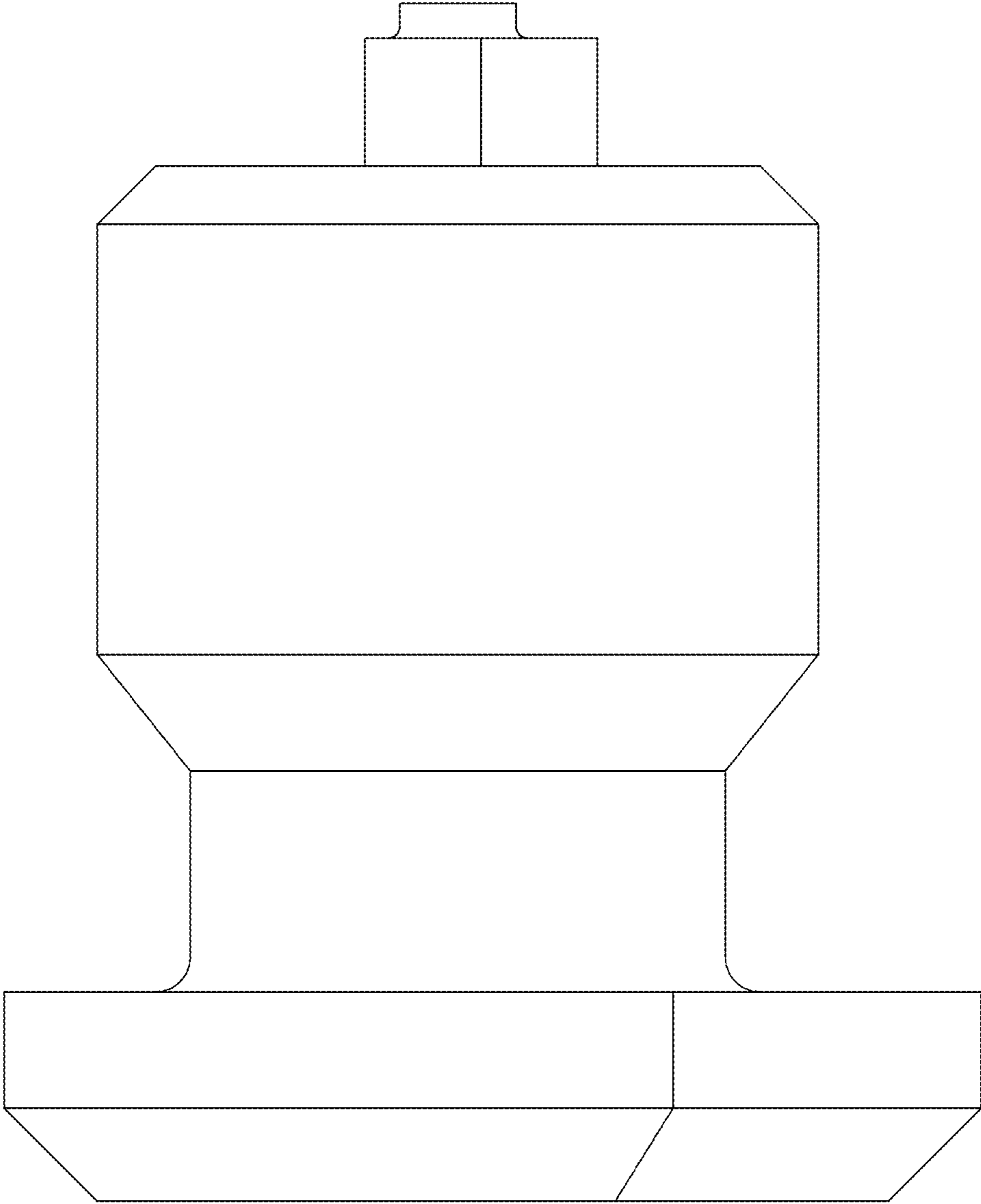


FIG. 6