



US00D814390S

(12) **United States Design Patent** (10) **Patent No.:** **US D814,390 S**  
**Eriksson** (45) **Date of Patent:** **\*\* Apr. 3, 2018**

(54) **KNOB**  
(71) Applicant: **Thule Sweden AB**, Hillerstorp (SE)  
(72) Inventor: **Henrik Eriksson**, Jönköping (SE)  
(73) Assignee: **Thule Sweden AB**, Hillerstorp (SE)

D460,535 S \* 7/2002 Green ..... D23/250  
D548,075 S \* 8/2007 Mavin ..... D9/435  
D590,049 S \* 4/2009 Jones ..... D23/250  
D647,163 S \* 10/2011 Lin ..... D22/142  
8,393,506 B2 \* 3/2013 Malm ..... B60R 9/10  
224/319  
2015/0028072 A1 \* 1/2015 Patel ..... B60R 9/045  
224/319

(\*\*) Term: **15 Years**

**FOREIGN PATENT DOCUMENTS**

(21) Appl. No.: **29/554,221**  
(22) Filed: **Feb. 9, 2016**  
(51) **LOC (11) Cl.** ..... **12-16**  
(52) **U.S. Cl.**  
USPC ..... **D12/414**; D8/311  
(58) **Field of Classification Search**  
USPC ..... D12/221, 400, 401, 412, 317, 406, 414,  
D12/175, 176, 177, 197, 199, 201, 202,  
D12/204, 212; D8/10, 13, 300, 310, 311,  
D8/312; D23/250, 249  
CPC ..... A01B 1/00; B65G 7/12; B60P 1/00; B60P  
3/1008; B60R 9/08; B60R 9/045; B60R  
9/048; B60R 9/00; B60R 9/02; B60R  
9/10; F16K 31/607; B65D 39/00; B65D  
39/08; E05B 3/00; E05B 17/14  
See application file for complete search history.

EP 2230412 A1 9/2010  
WO 2015/028161 A1 3/2015

\* cited by examiner

*Primary Examiner* — Karen S Acker  
*Assistant Examiner* — Jerry Shiuang-Hua Hsu  
(74) *Attorney, Agent, or Firm* — Sterne, Kessler,  
Goldstein & Fox P.L.L.C.

(57) **CLAIM**

The ornamental design for a knob, as shown and described.

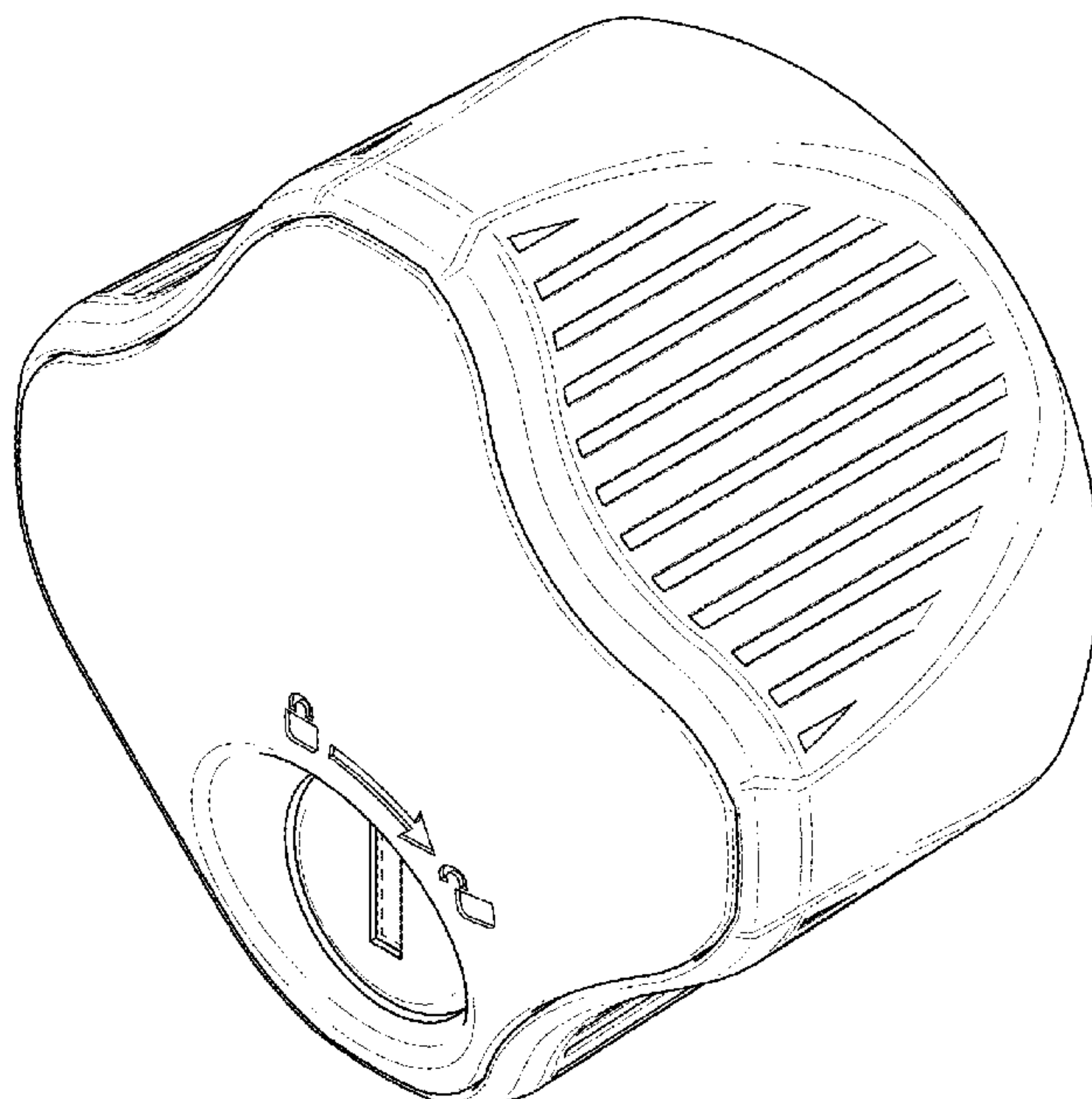
**DESCRIPTION**

FIG. 1 is a front perspective view of a knob showing the claimed design;  
FIG. 2 is a bottom view thereof.  
FIG. 3 is a front view thereof;  
FIG. 4 is a rear view thereof;  
FIG. 5 is a left side view thereof;  
FIG. 6 is a right side view thereof;  
FIG. 7 is a top view thereof; and,  
FIG. 8 is a bottom view thereof.  
The broken lines in the figures show portions of the knob that form no part of the claimed design.

(56) **References Cited**  
U.S. PATENT DOCUMENTS

D279,347 S \* 6/1985 Clivio ..... D8/1  
D299,913 S \* 2/1989 Arvidsson ..... D12/414  
D365,009 S \* 12/1995 Lenberg ..... D8/307  
D380,440 S \* 7/1997 Talish ..... D13/101  
D409,558 S \* 5/1999 Lundgren ..... D12/414  
D448,693 S \* 10/2001 Crafoord ..... D10/103  
6,363,579 B1 \* 4/2002 King, Jr. .... F16K 31/607  
16/430

**1 Claim, 8 Drawing Sheets**



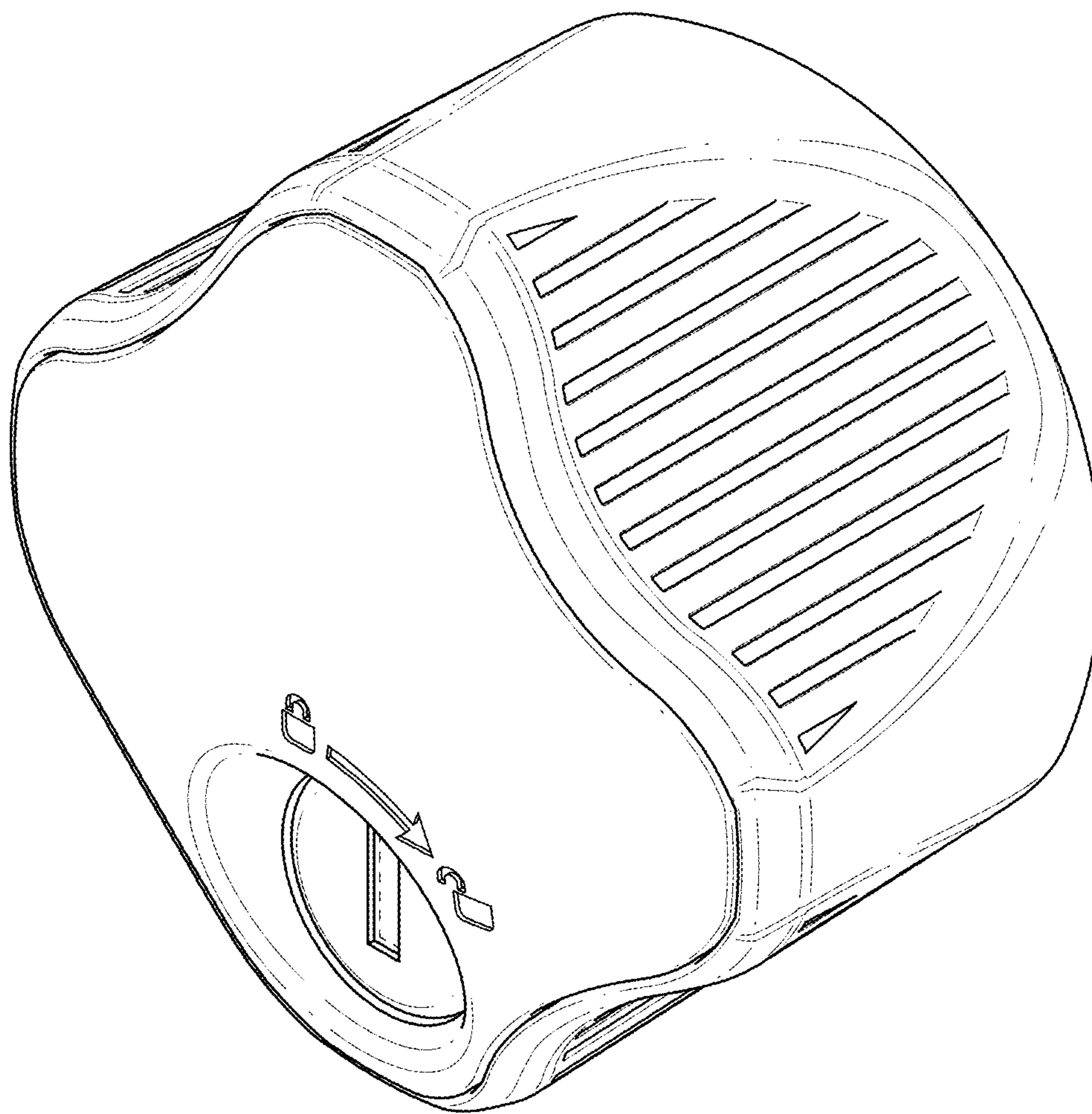


FIG. 1

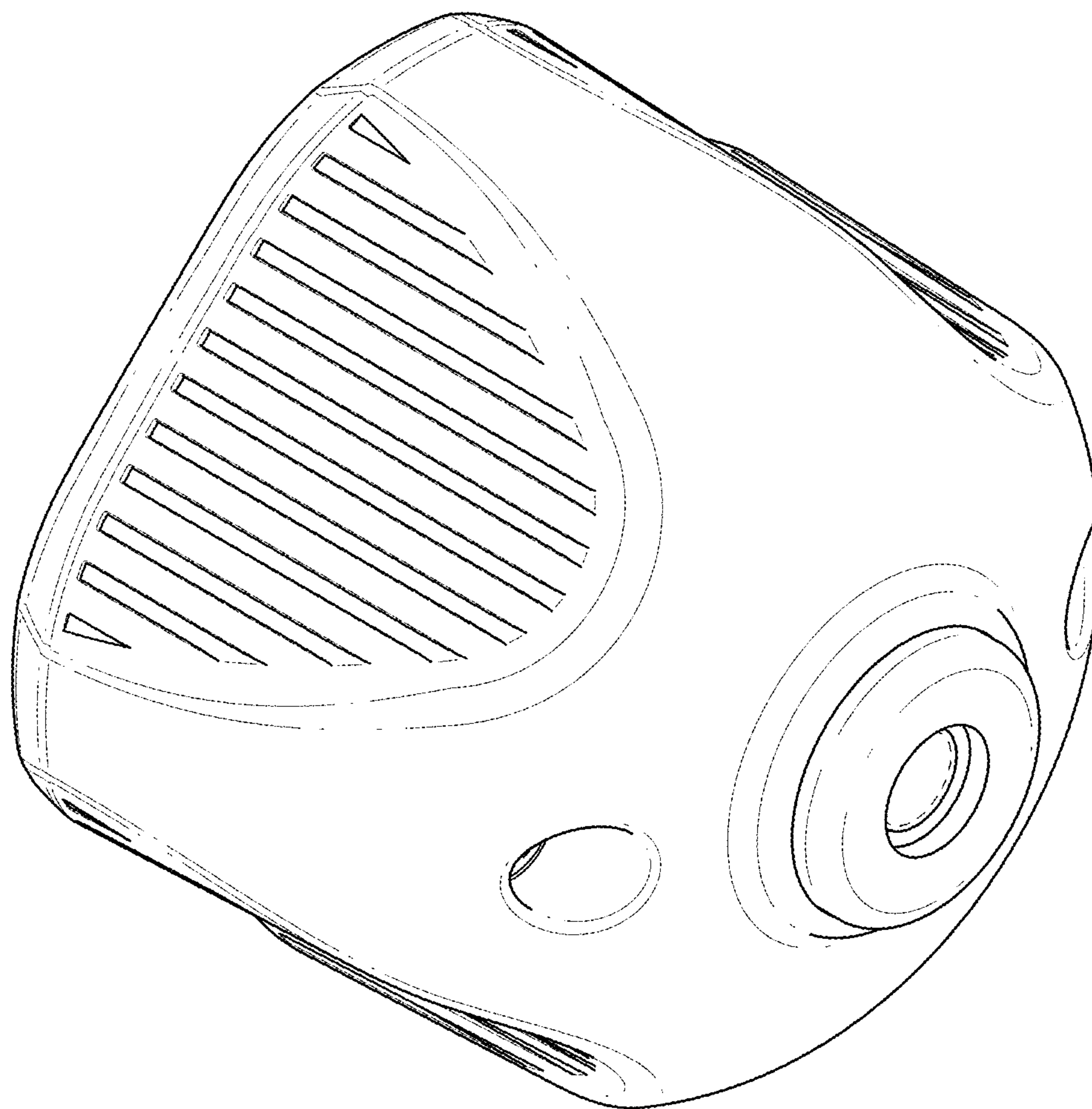


FIG. 2

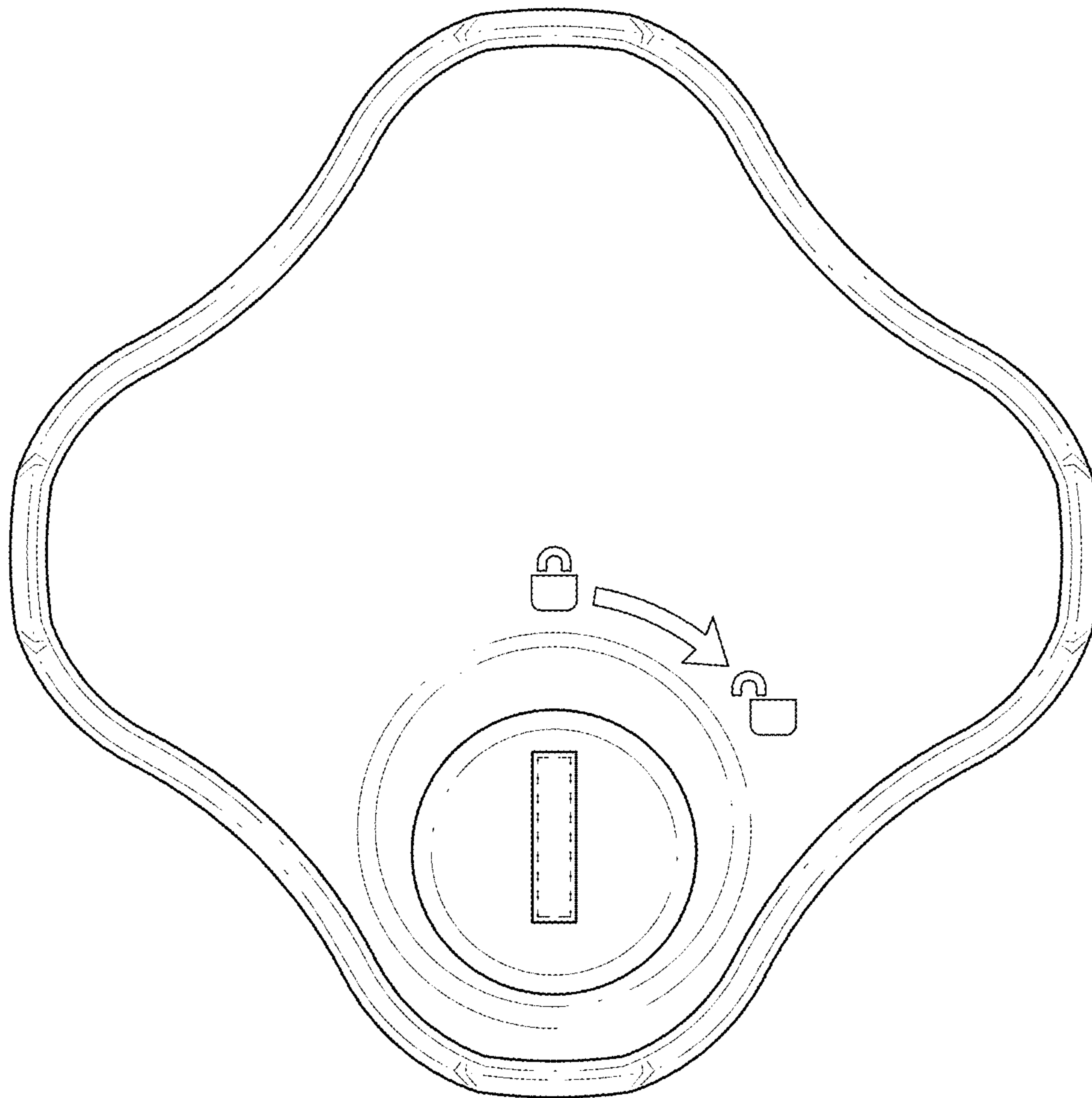


FIG. 3



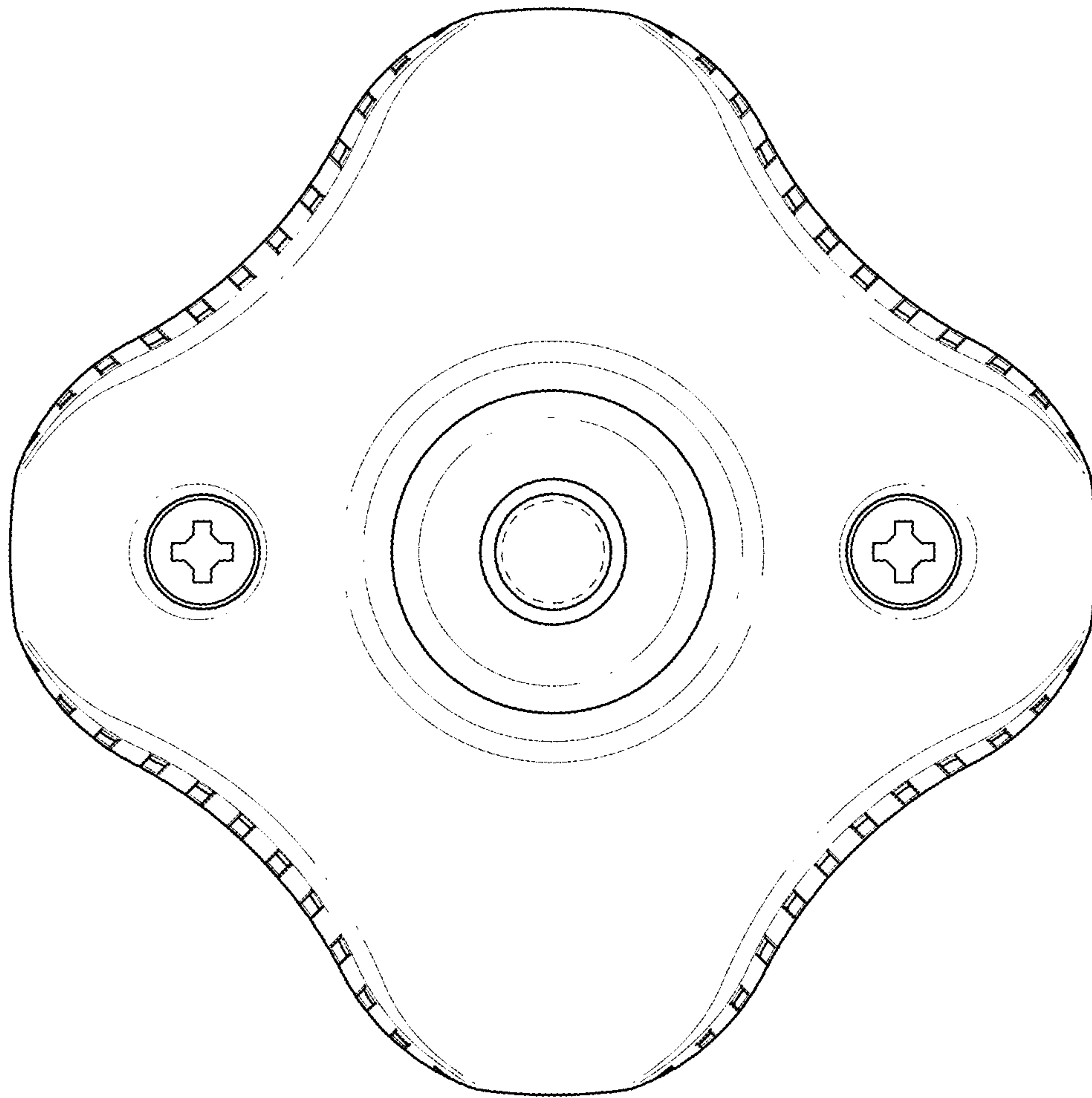


FIG. 4

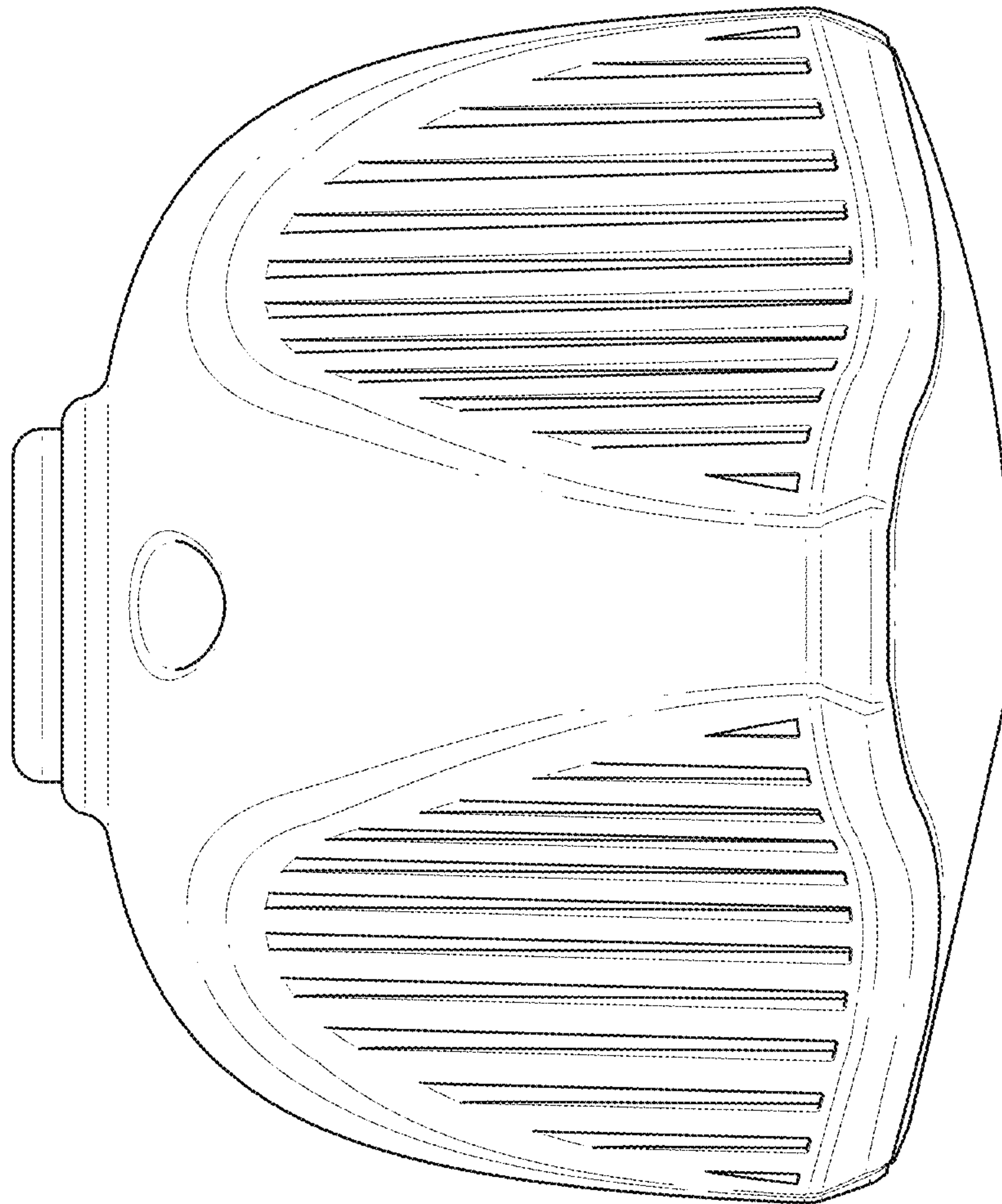


FIG. 5

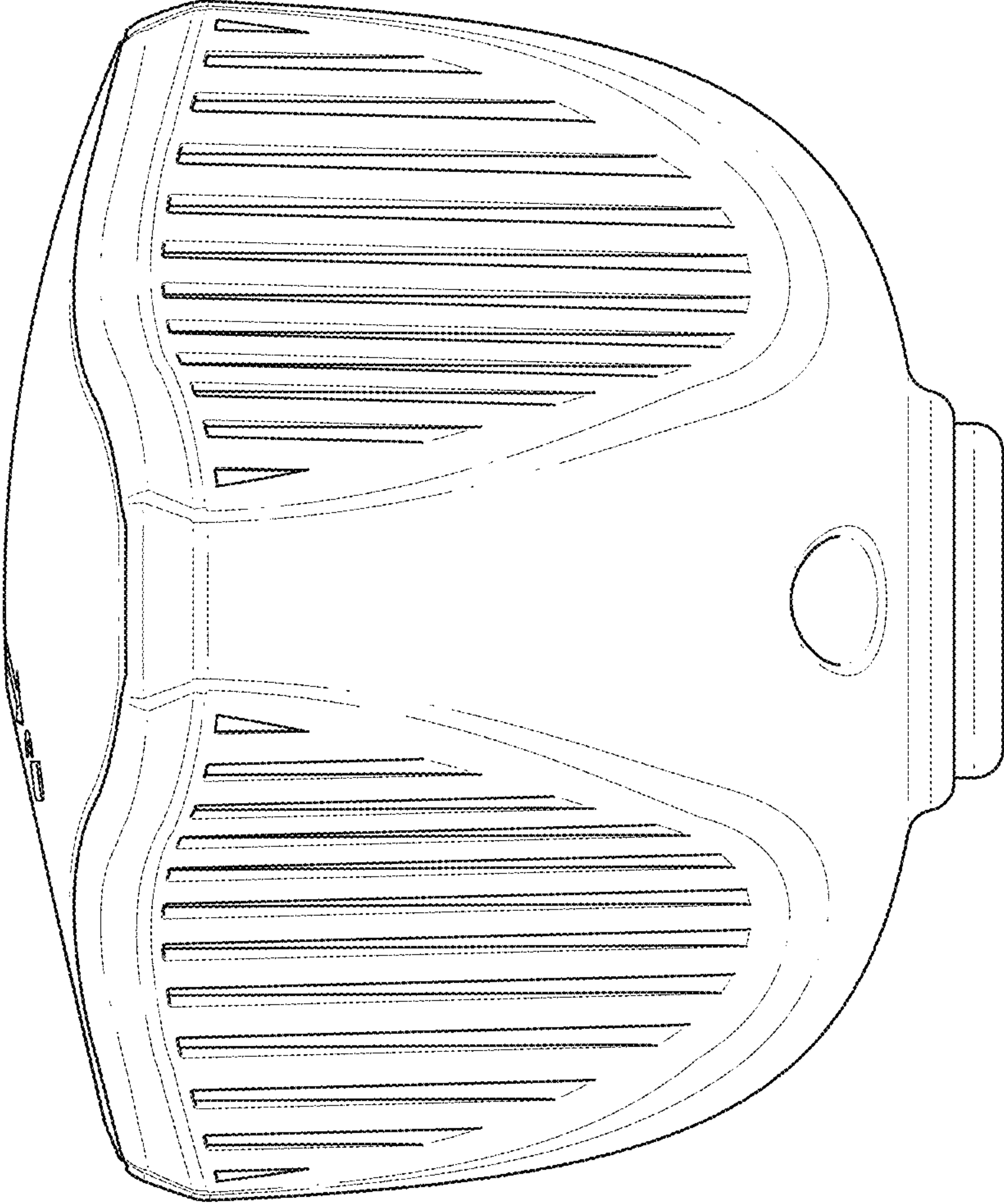


FIG. 6

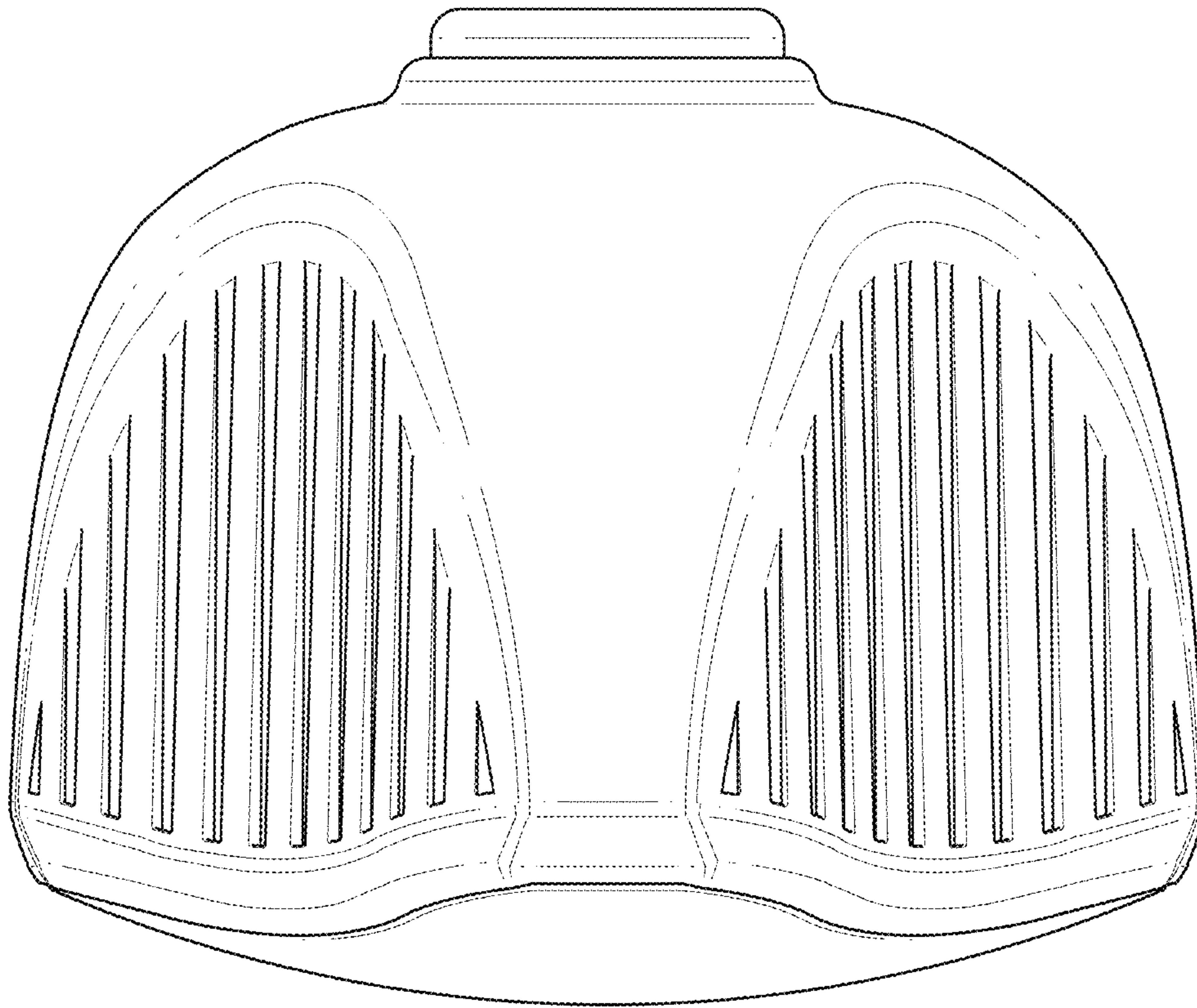


FIG. 7



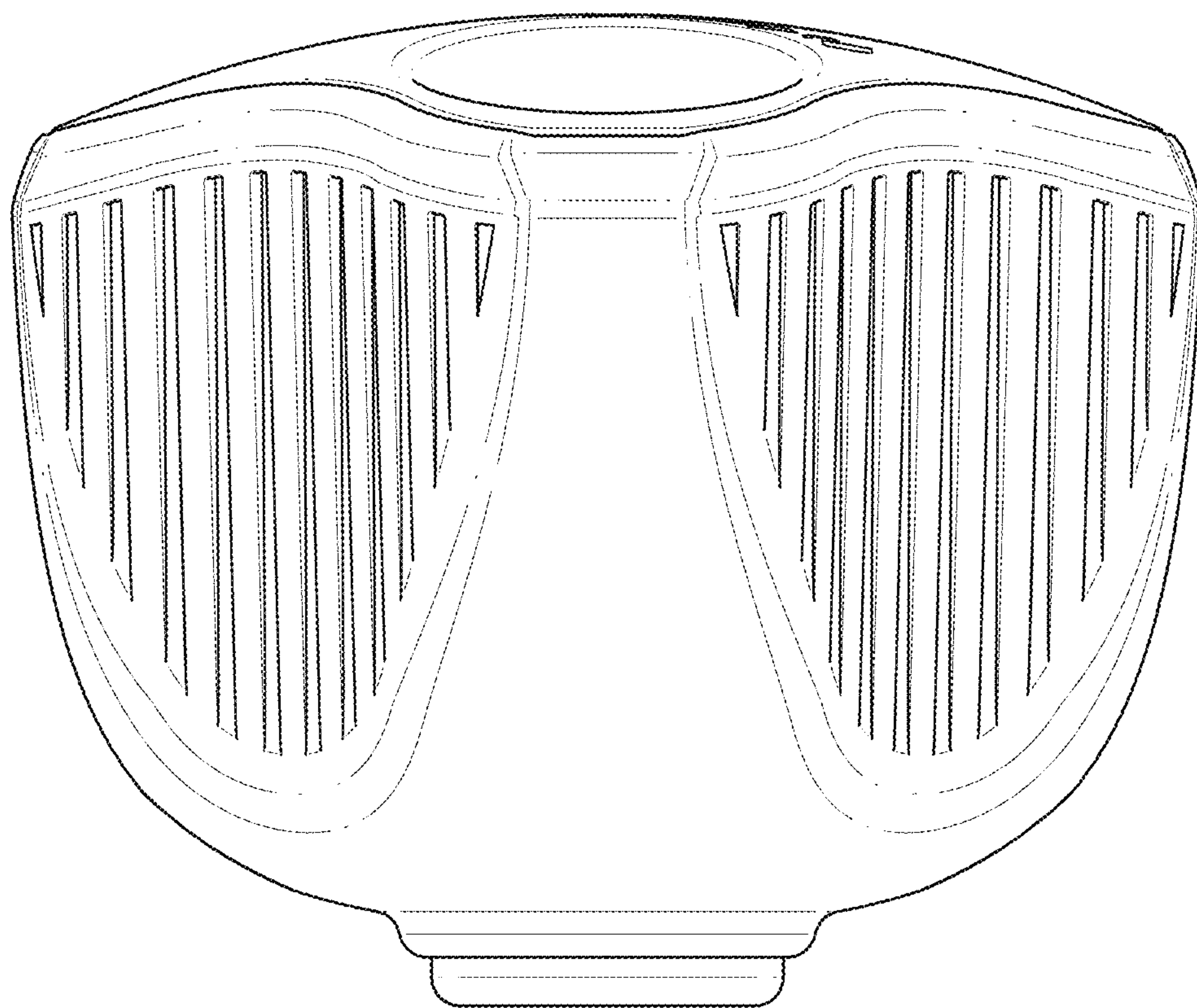


FIG. 8

UNITED STATES PATENT AND TRADEMARK OFFICE  
**CERTIFICATE OF CORRECTION**

PATENT NO. : D814,390 S  
APPLICATION NO. : 29/554221  
DATED : April 3, 2018  
INVENTOR(S) : Henrik Eriksson

Page 1 of 1

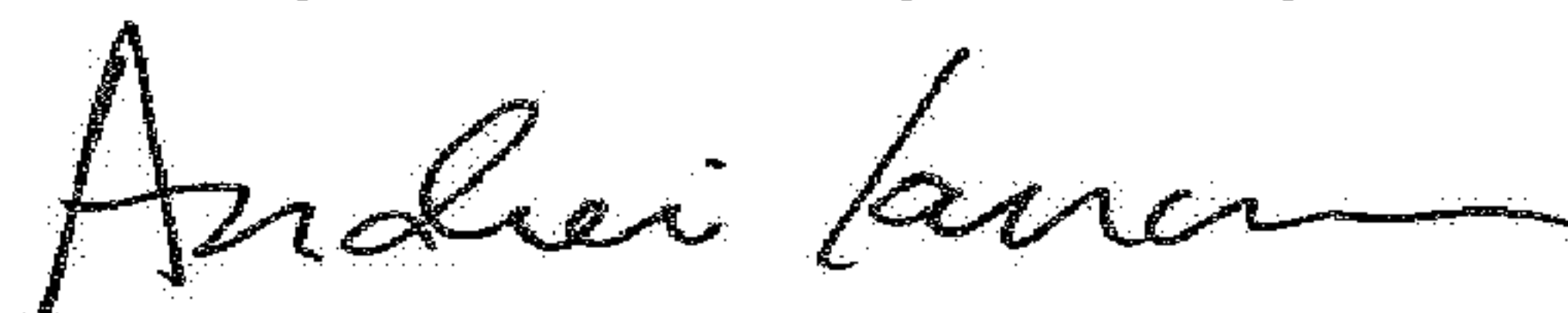
It is certified that error appears in the above-identified patent and that said Letters Patent is hereby corrected as shown below:

On the Title Page

In the Description, Line 3:

Delete "FIG. 2 is a bottom view thereof;" and insert --FIG. 2 is a rear perspective view thereof;--

Signed and Sealed this  
Twenty-second Day of May, 2018



Andrei Iancu  
*Director of the United States Patent and Trademark Office*