



US00D814389S

(12) **United States Design Patent**
Walker

(10) **Patent No.:** **US D814,389 S**

(45) **Date of Patent:** **** Apr. 3, 2018**

(54) **RACK STRUCTURE FOR A UTILITY VEHICLE**

(71) Applicant: **QUACK RACK LLC**, Friendswood, TX (US)

(72) Inventor: **Garrett Walker**, Friendswood, TX (US)

(73) Assignee: **Quack Rack LLC**, Friendswood, TX (US)

(**) Term: **15 Years**

(21) Appl. No.: **29/560,420**

(22) Filed: **Apr. 6, 2016**

(51) **LOC (11) Cl.** **12-16**

(52) **U.S. Cl.**
USPC **D12/412**

(58) **Field of Classification Search**
USPC D12/412, 406, 413, 414, 414.1; D6/552; D3/304-306
CPC B60R 9/04; B60R 9/045; B60R 9/048
See application file for complete search history.

(56) **References Cited**

U.S. PATENT DOCUMENTS

D547,752 S * 7/2007 Lee D14/227
D624,005 S * 9/2010 Winner D12/412
D638,333 S * 5/2011 Freeman D12/412
D670,639 S * 11/2012 Hanks D12/412

D765,577 S * 9/2016 Kmita D12/412
D772,782 S * 11/2016 Johnson D12/412
D772,783 S * 11/2016 Schleef D12/412
D793,946 S * 8/2017 Badillo D12/412
2005/0092796 A1* 5/2005 Essig B60R 9/00
224/321
2005/0095102 A1* 5/2005 Watson B60R 9/042
414/462

* cited by examiner

Primary Examiner — Katrina A Betton

(74) *Attorney, Agent, or Firm* — Munck Wilson Mandala, LLP

(57) **CLAIM**

The ornamental design for a rack structure for a utility vehicle, as shown and described.

DESCRIPTION

FIG. 1 is a front perspective view of an embodiment of the rack structure for a utility vehicle showing the unique design;

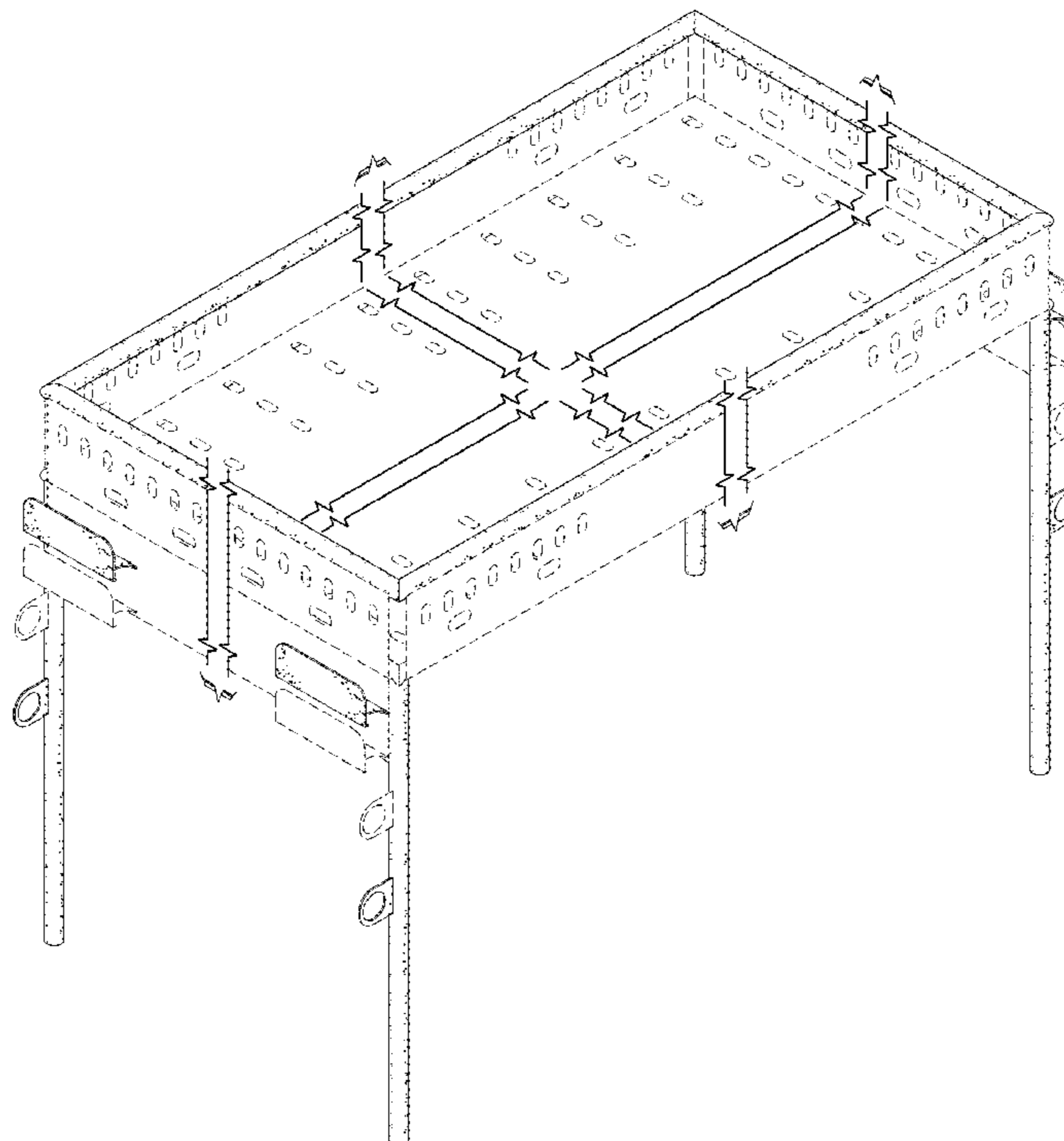
FIG. 2 is a front view thereof;

FIG. 3 is a side view thereof; and,

FIG. 4 is a top view thereof.

The rack structure for a utility vehicle is shown with breakaway lines in FIGS. 1-4 of the drawings to indicate indeterminate length and width. FIGS. 1-4 of the drawings are shown with broken lines to indicate environmental structure or boundaries that form no part of the design.

1 Claim, 4 Drawing Sheets



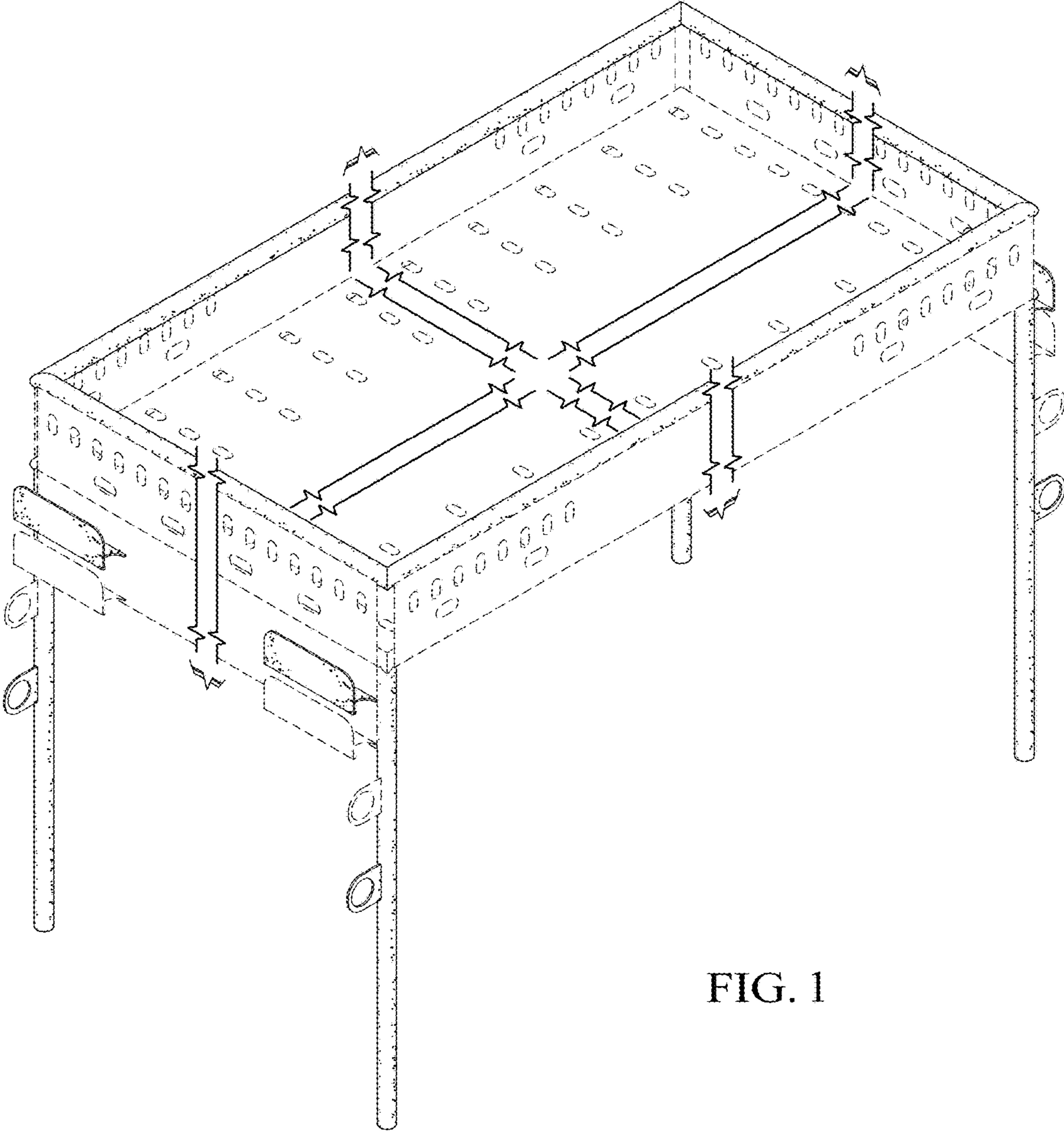


FIG. 1

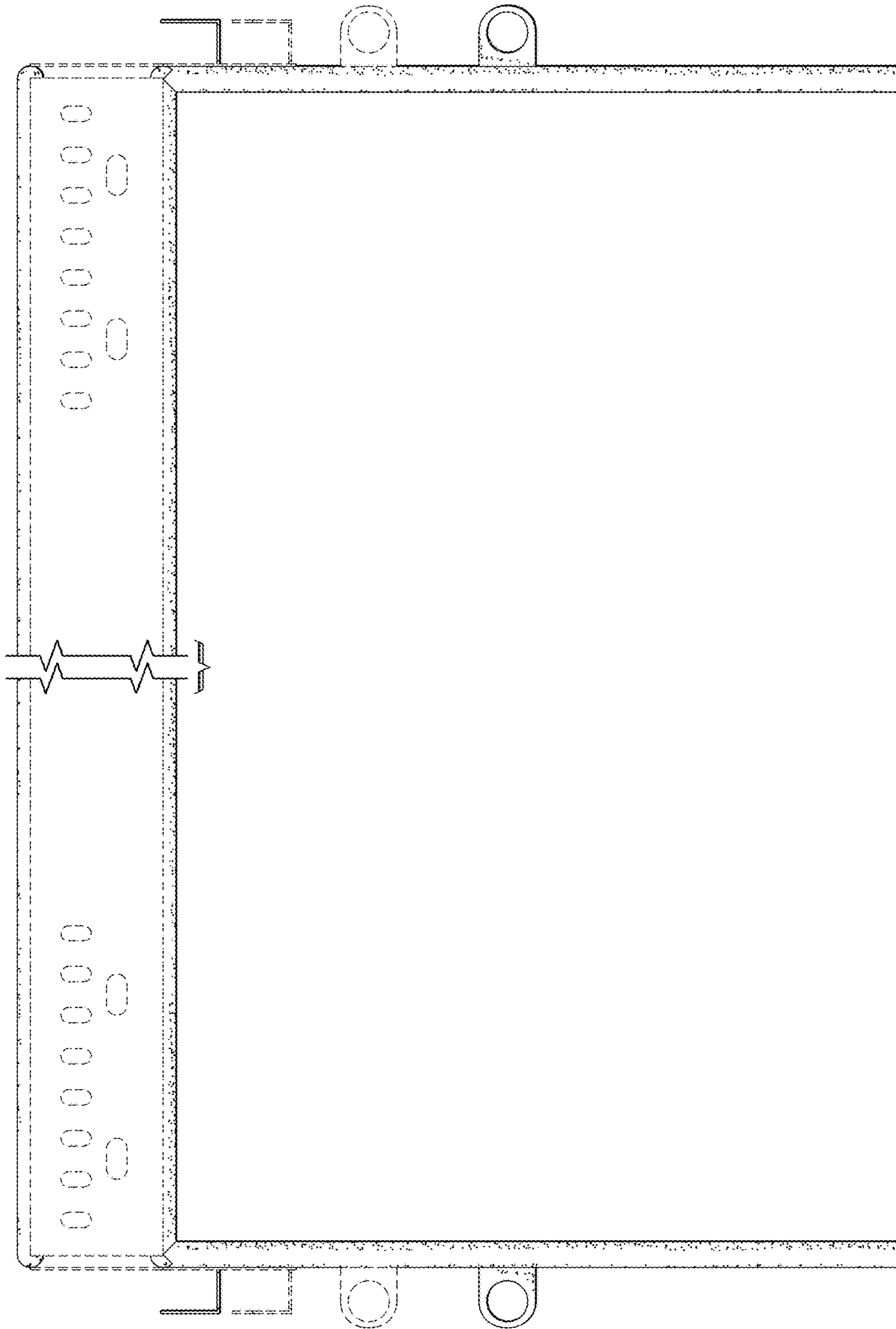


FIG. 2

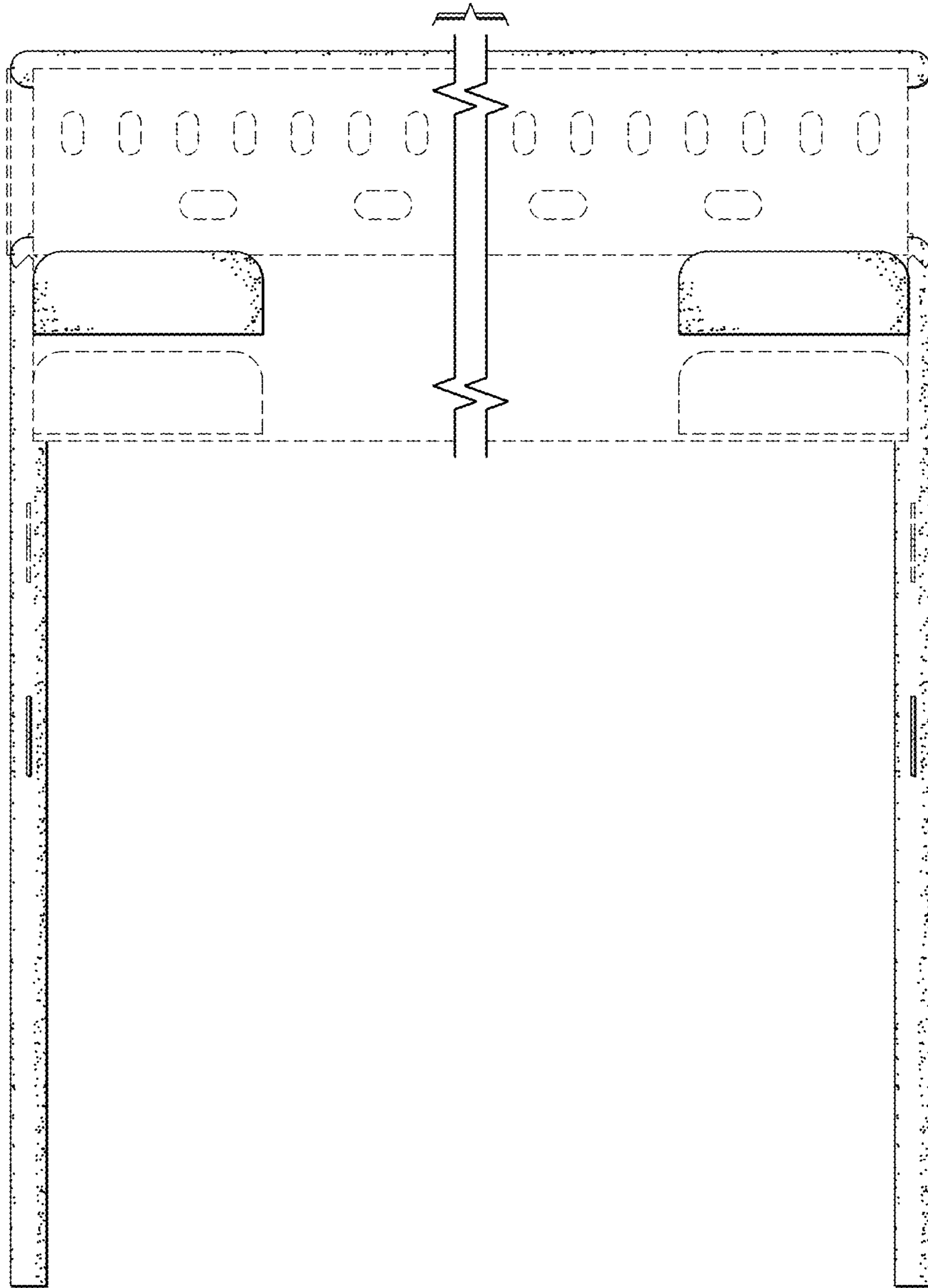


FIG. 3

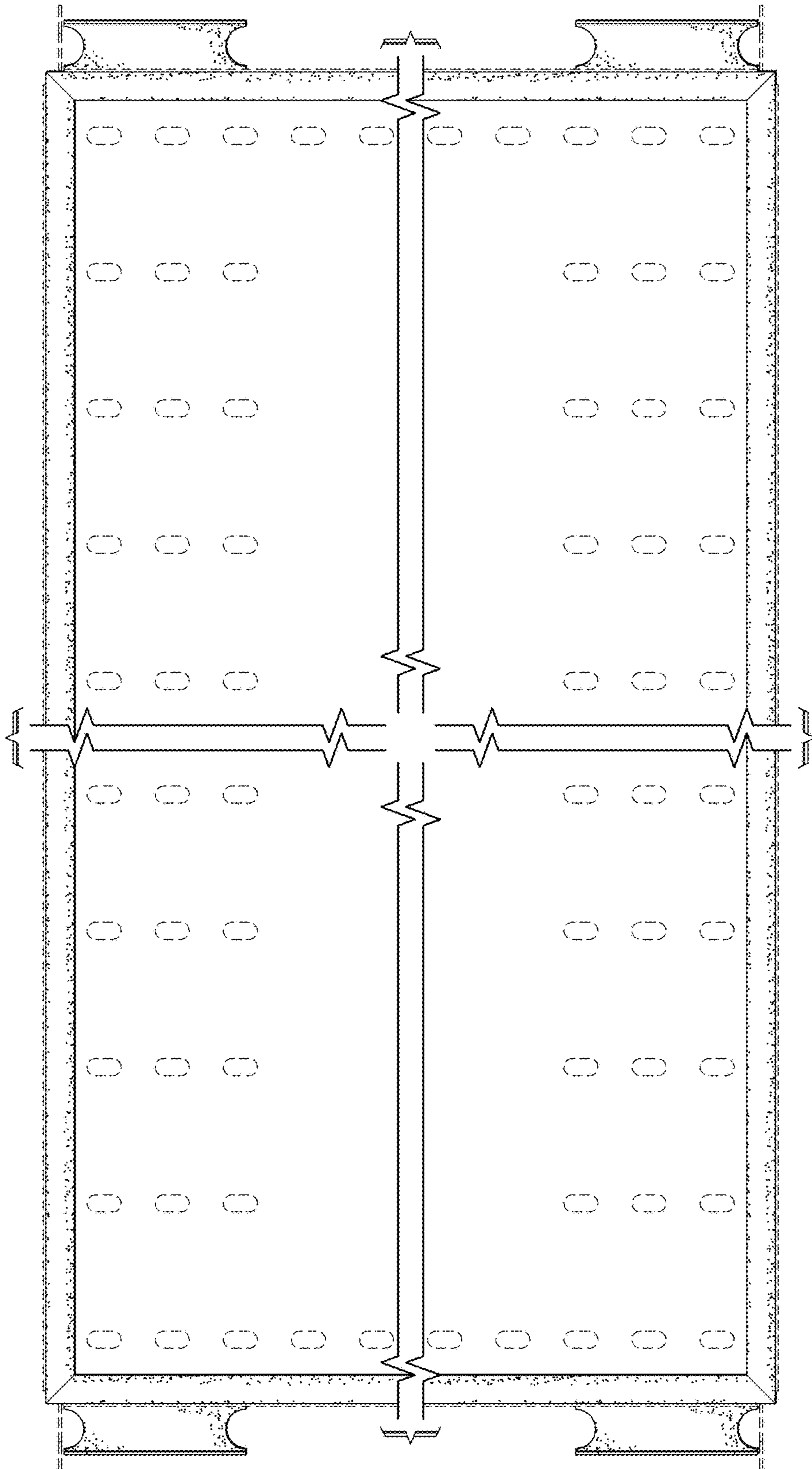


FIG. 4