



US00D814388S

(12) **United States Design Patent**
Salsi et al.

(10) **Patent No.:** **US D814,388 S**
(45) **Date of Patent:** **** Apr. 3, 2018**

- (54) **BICYCLE CARRIER**
- (71) Applicant: **F.LLI Menabo' S.R.L.**, Cavriago (IT)
- (72) Inventors: **Andrea Salsi**, Bagnolo in Piano (IT);
Domenico Menabo', San Maurizio (IT)
- (73) Assignee: **F.LLI MENABO' S.R.L.**, Cavriago (IT)
- (**) Term: **15 Years**
- (21) Appl. No.: **29/545,485**
- (22) Filed: **Nov. 13, 2015**
- (30) **Foreign Application Priority Data**

D566,034	S *	4/2008	Davis	D12/408
7,726,528	B2 *	6/2010	Foley	B60R 9/048
					224/324
7,726,529	B2 *	6/2010	Foley	B60R 9/048
					211/20
7,757,914	B2 *	7/2010	Book	B60R 9/048
					224/324
D622,208	S *	8/2010	Sautter	D12/408
D623,117	S *	9/2010	Farber	D12/408
D635,086	S *	3/2011	Shen	D12/408
8,196,789	B2 *	6/2012	Kraeuter	B60R 9/048
					224/315
8,281,625	B2 *	10/2012	Prescott	B60R 9/048
					211/5
D693,760	S *	11/2013	Weaver	D12/408
D695,206	S *	12/2013	Eriksson	D12/414
D701,163	S *	3/2014	Kuschmeader	D12/408
D703,130	S *	4/2014	Settelmayer	D12/408
D703,605	S *	4/2014	Sautter	D12/408
2011/0290836	A1 *	12/2011	Shen	B60R 9/045
					224/319

- May 15, 2015 (EM) 002701623
- (51) **LOC (11) Cl.** **12-16**
- (52) **U.S. Cl.**
USPC **D12/408**
- (58) **Field of Classification Search**
USPC D12/111, 406, 407, 408, 412, 414
CPC .. B60R 9/06; B60R 9/10; B60R 9/045; B60R
9/048; B60R 11/00
See application file for complete search history.

* cited by examiner

Primary Examiner — Darlington Ly
(74) *Attorney, Agent, or Firm* — Pearne & Gordon LLP

(57) **CLAIM**

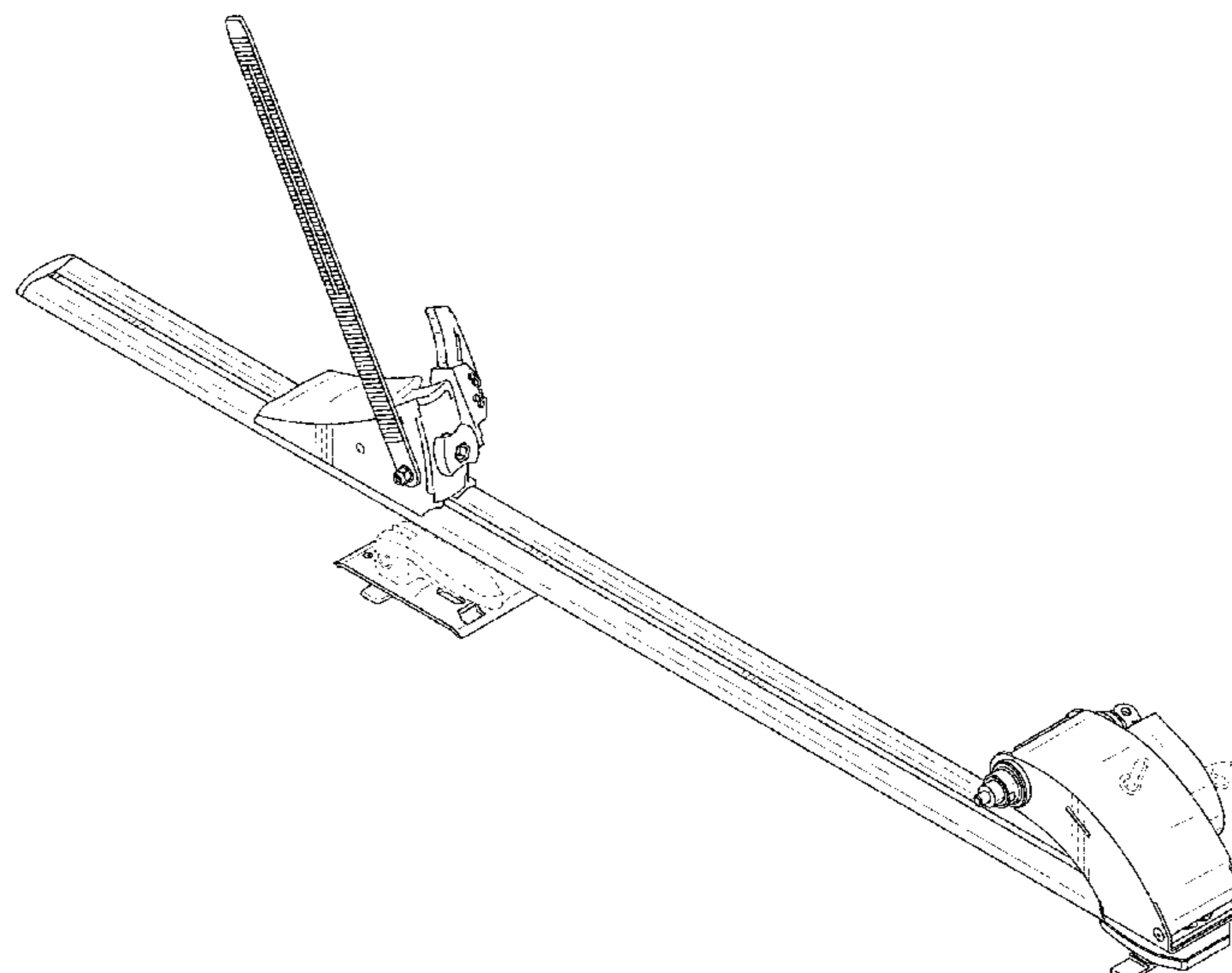
The ornamental design for a bicycle carrier, as shown and described.

DESCRIPTION

FIG. 1 is a front perspective view of a bicycle carrier showing our new design;
FIG. 2 is a top plan view thereof;
FIG. 3 is a bottom plan view thereof;
FIG. 4 is a right side elevation view thereof;
FIG. 5 is a left side elevation view thereof;
FIG. 6 is a front elevation view thereof; and,
FIG. 7 is a rear elevation view thereof.
The broken lines in the drawings illustrate portions of the bicycle carrier that form no part of the claimed design.

1 Claim, 6 Drawing Sheets

- (56) **References Cited**
U.S. PATENT DOCUMENTS
- 5,598,959 A * 2/1997 Lorensen B60R 9/045
224/315
- 5,690,259 A * 11/1997 Montani B60R 9/10
224/310
- 6,494,351 B1 * 12/2002 Dean B60R 9/048
224/324
- 6,758,380 B1 * 7/2004 Kolda B60R 9/048
224/315
- D561,680 S * 2/2008 Foley D12/408
- D562,217 S * 2/2008 Davis D12/408
- D562,218 S * 2/2008 Foley D12/408



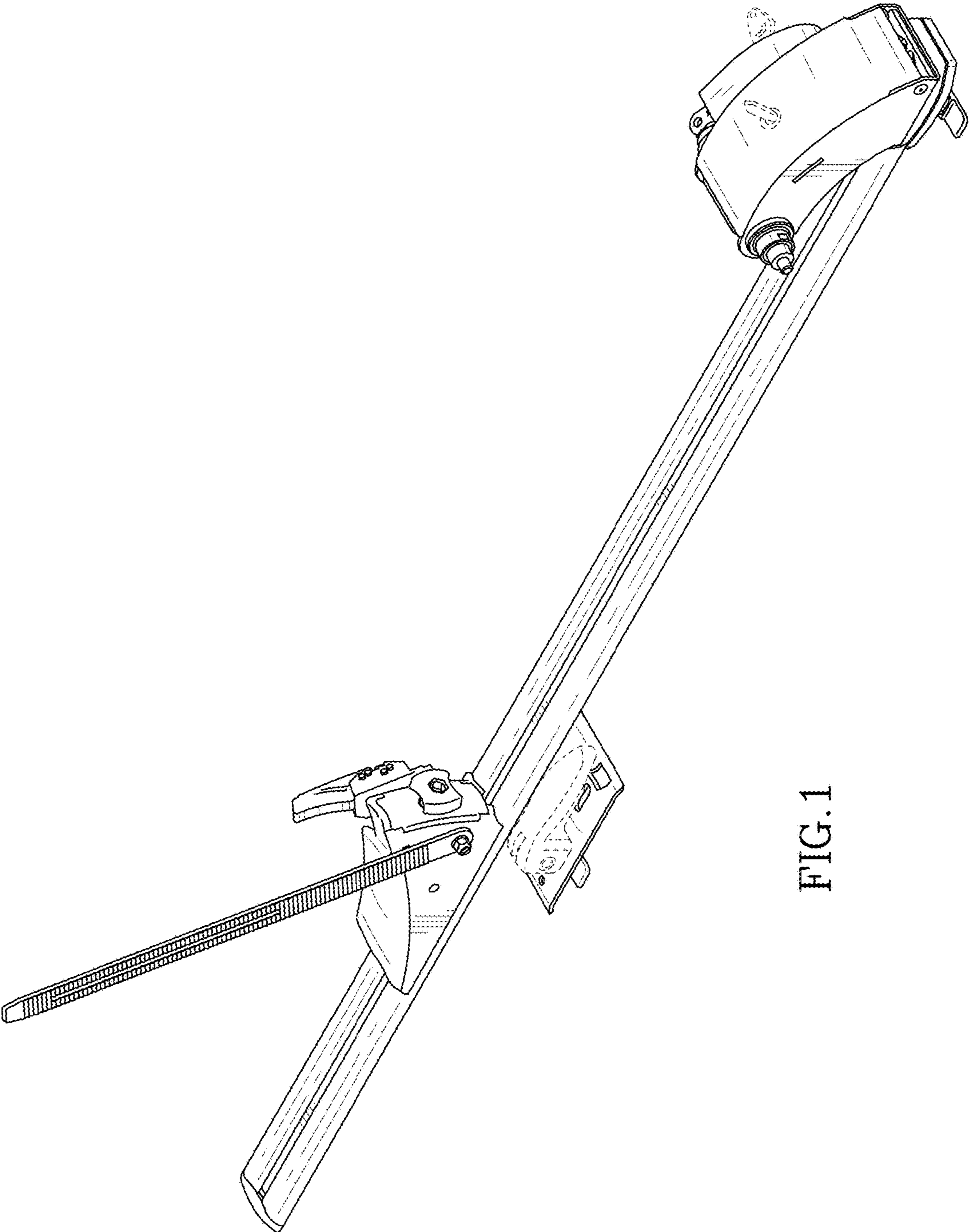


FIG. 1

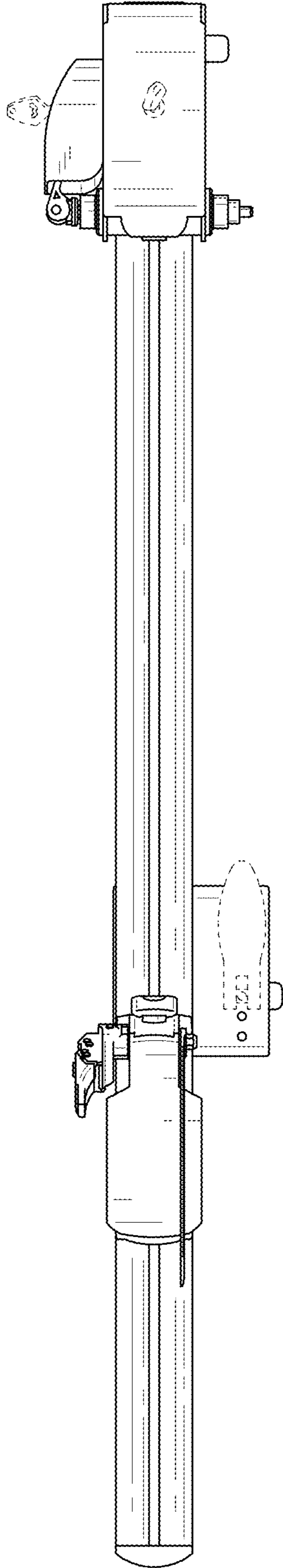


FIG. 2

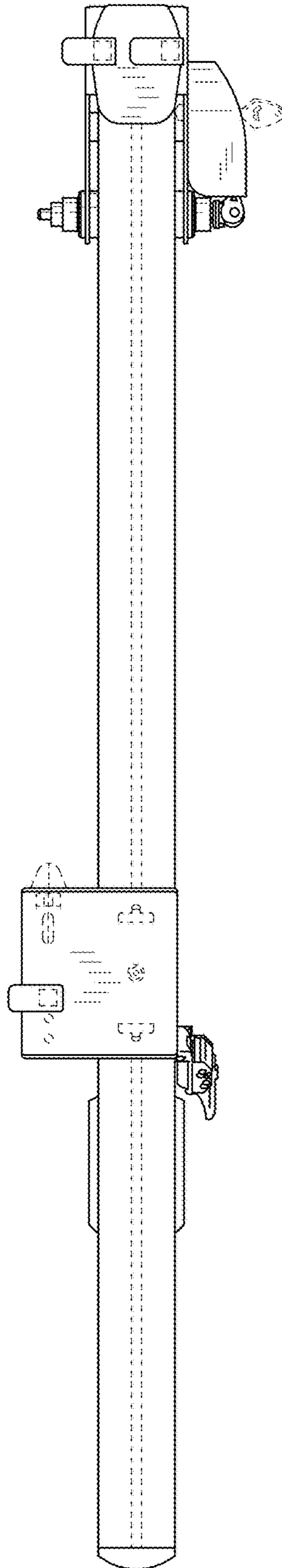


FIG. 3

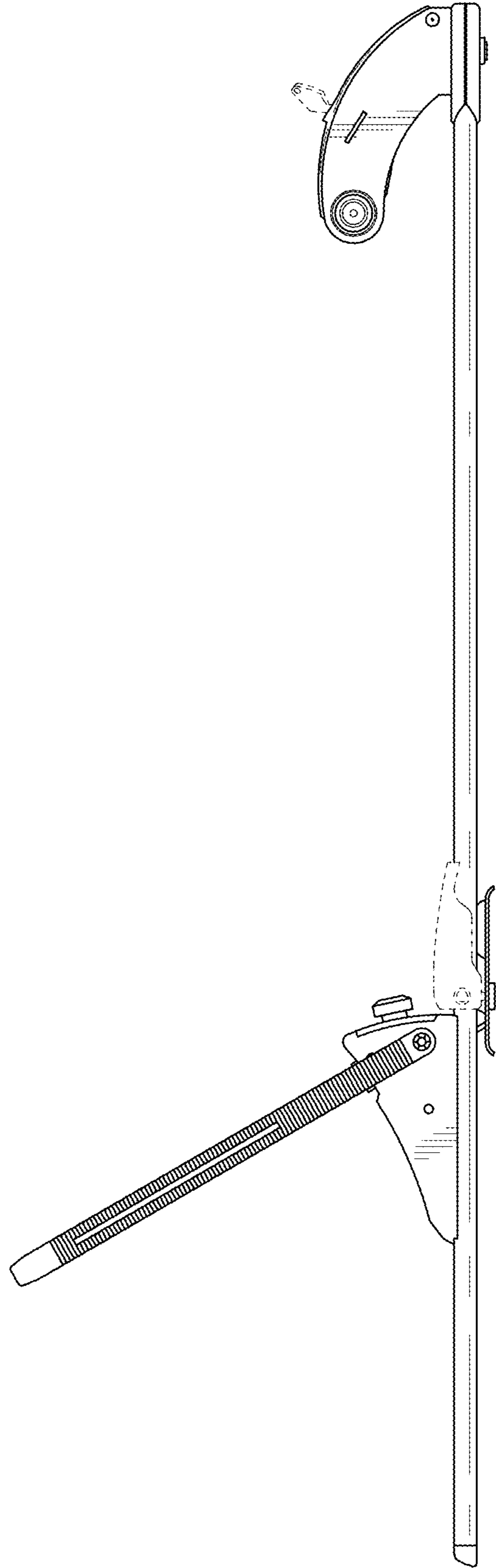


FIG. 4

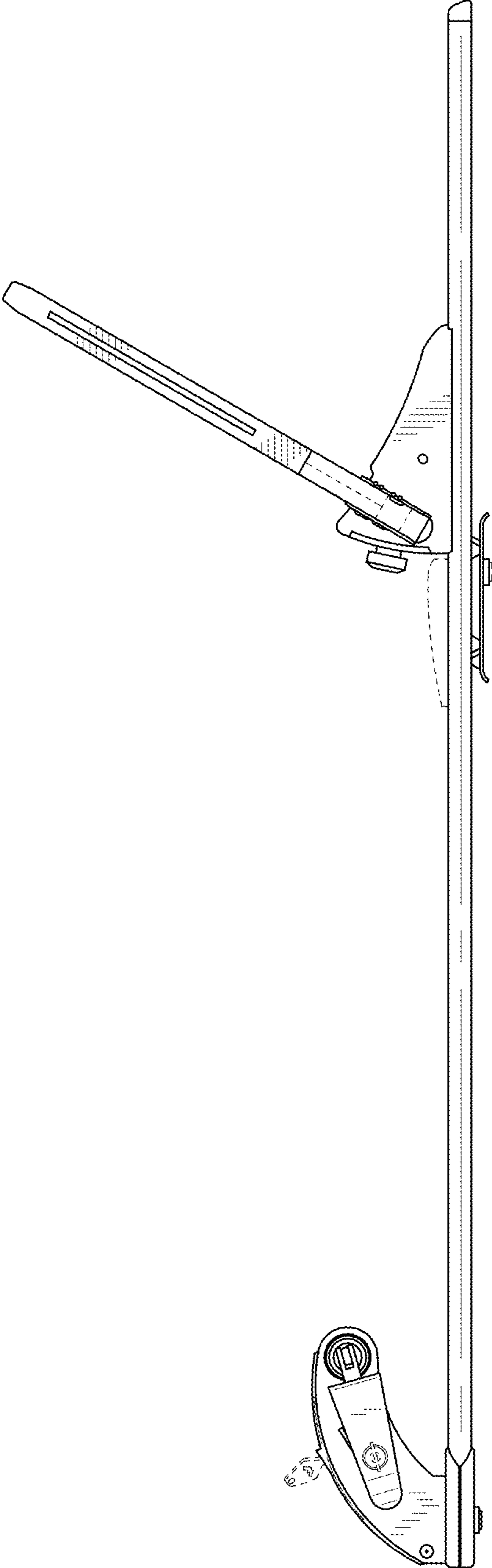


FIG. 5

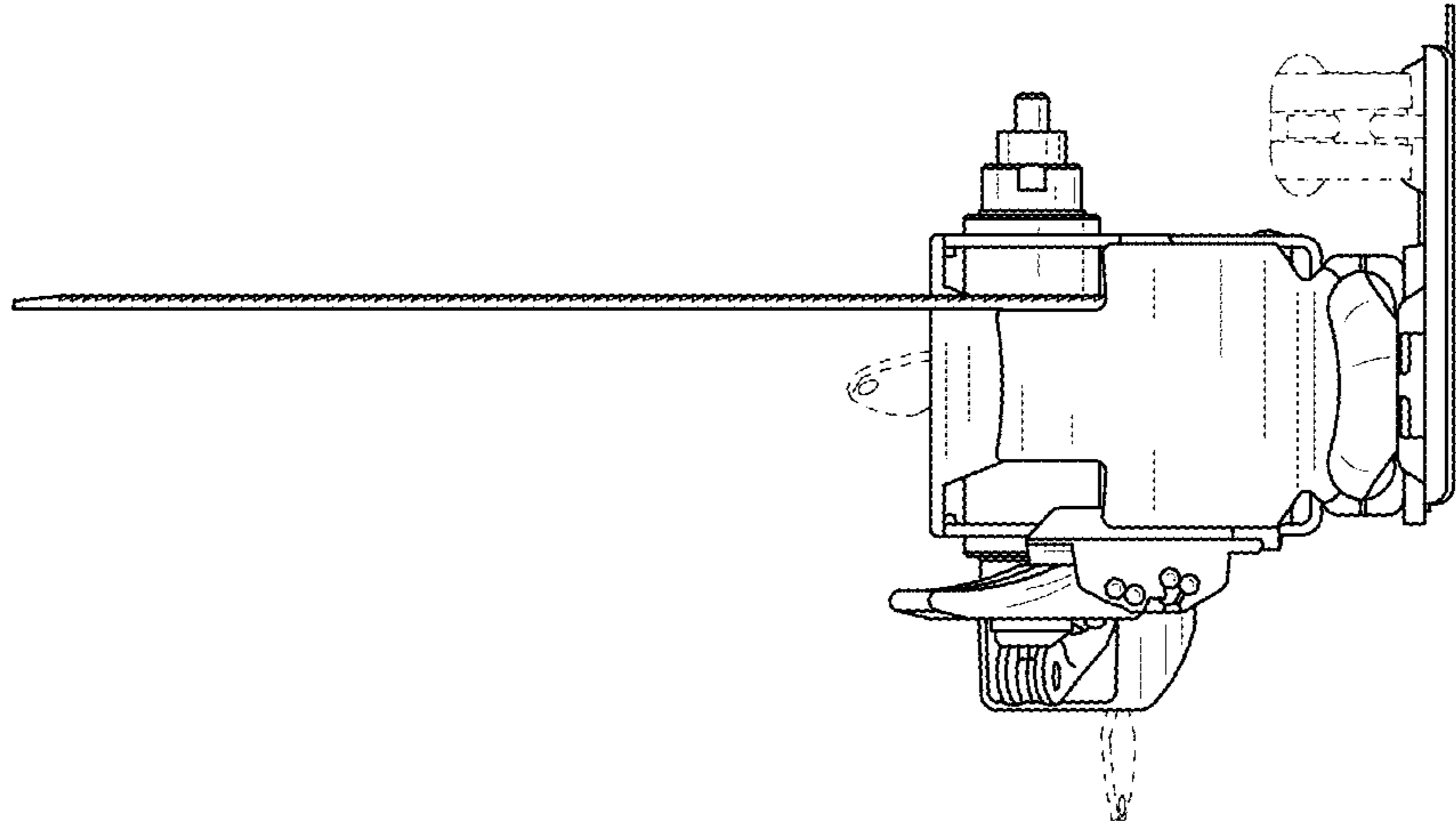


FIG. 7

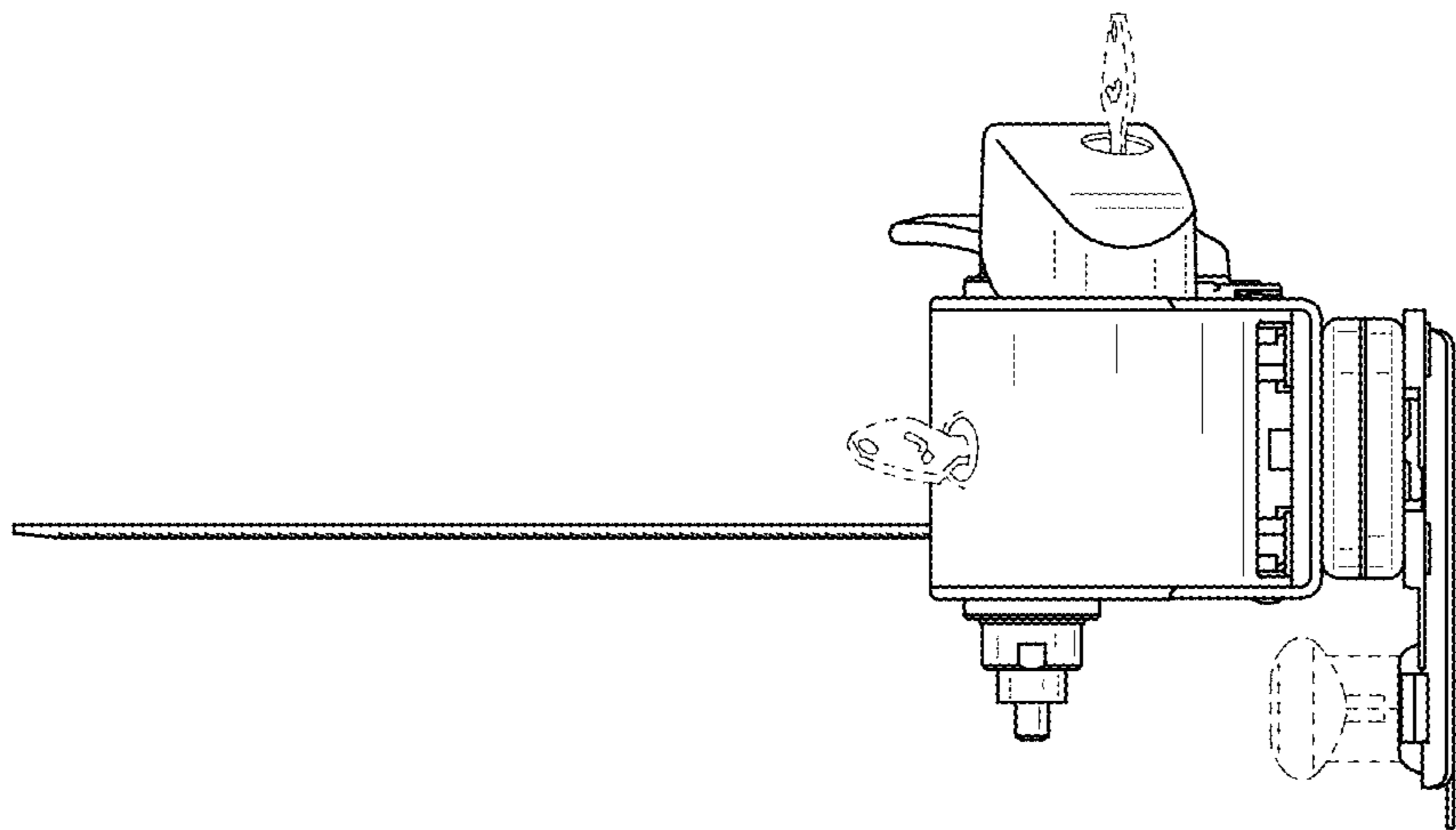


FIG. 6