



US00D814387S

(12) **United States Design Patent**
Barker

(10) **Patent No.:** **US D814,387 S**

(45) **Date of Patent:** **** Apr. 3, 2018**

(54) **TARPAULIN OUTDOOR STORAGE CONTAINER**

(71) Applicant: **YardStash Solutions LLC**, San Diego, CA (US)

(72) Inventor: **George V. Barker**, San Diego, CA (US)

(73) Assignee: **YARDSTASH SOLUTIONS LLC**, San Diego, CA (US)

(**) Term: **15 Years**

(21) Appl. No.: **29/589,556**

(22) Filed: **Jan. 3, 2017**

(51) **LOC (11) Cl.** **12-16**

(52) **U.S. Cl.**
USPC **D12/401**

(58) **Field of Classification Search**
USPC D12/401–405; D6/610, 611, 596, 601, D6/602, 603, 615, 621; D7/332, 334–337
CPC .. E04H 15/06; B62J 19/00; B62J 19/18; B62J 19/26; B62J 19/24; B62J 19/22
See application file for complete search history.

(56) **References Cited**

U.S. PATENT DOCUMENTS

D299,817 S * 2/1989 Wolcott D12/403
D318,446 S * 7/1991 Magyar D12/403

D322,055 S * 12/1991 Bruce D12/403
D333,646 S * 3/1993 Levy D12/403
D339,781 S * 9/1993 Hassan D12/403
D345,122 S * 3/1994 Lloyd D12/221
D352,690 S * 11/1994 Schorr D12/403
D355,405 S * 2/1995 Sligh D12/403
D394,638 S * 5/1998 Weiner D12/403
D445,396 S * 7/2001 Wood D12/403

* cited by examiner

Primary Examiner — Katrina A Betton

(74) *Attorney, Agent, or Firm* — Mitchell Law PLLC; Matthew W. Mitchell

(57) **CLAIM**

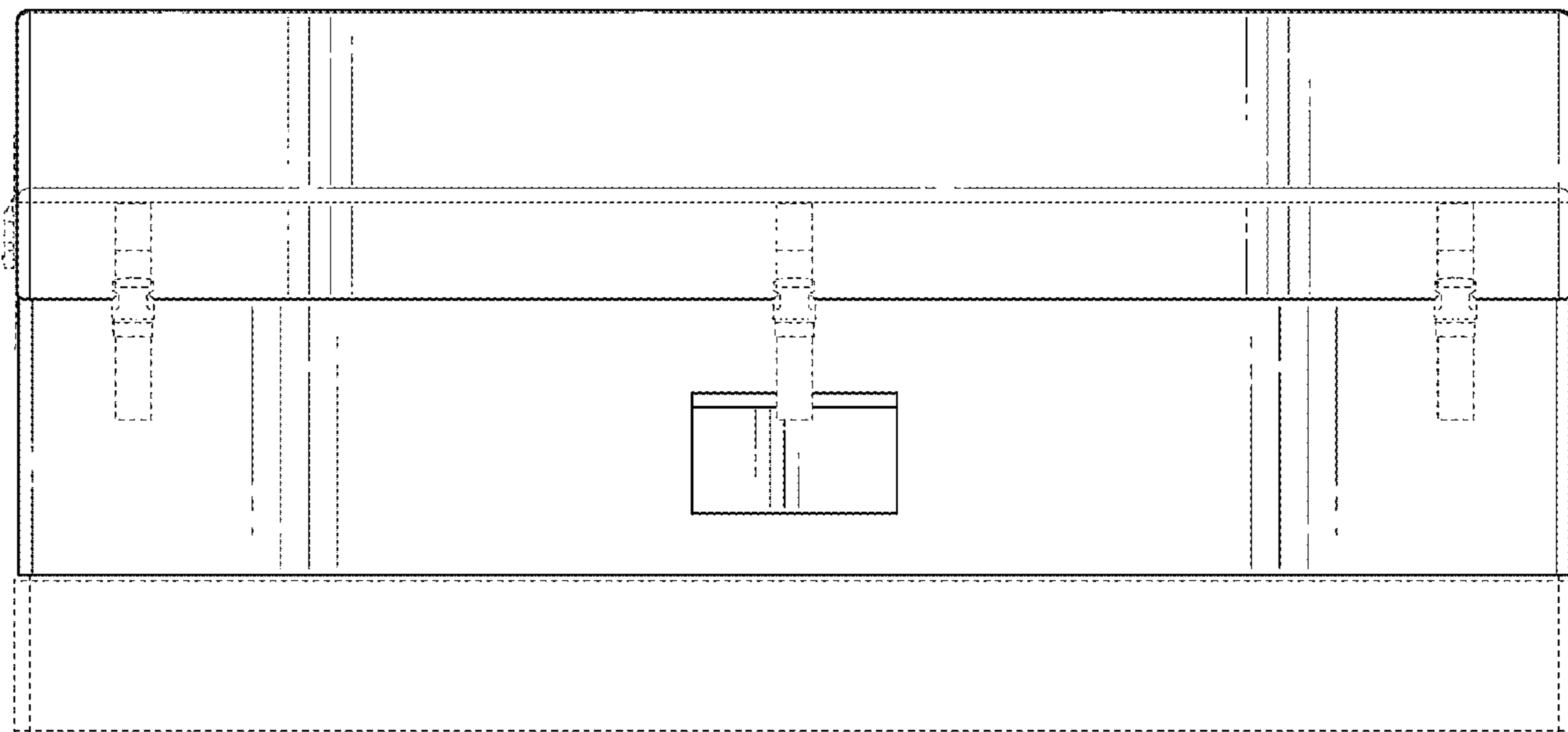
The ornamental design for a tarpaulin outdoor storage container, as shown.

DESCRIPTION

FIG. 1 is a front perspective view of the present invention; FIG. 2 is a front view of the invention of FIG. 1; FIG. 3 is a back view of the invention of FIG. 1; FIG. 4 is a side view of the invention of FIG. 1, as seen from the left side of FIG. 2; FIG. 5 is a side view of the invention of FIG. 1, as seen from the right side of FIG. 2; and, FIG. 6 is a top plan view in elevation of the invention of FIG. 1.

The broken lines showing a bottom portion and various straps and fasteners form no part of the claimed design.

1 Claim, 6 Drawing Sheets



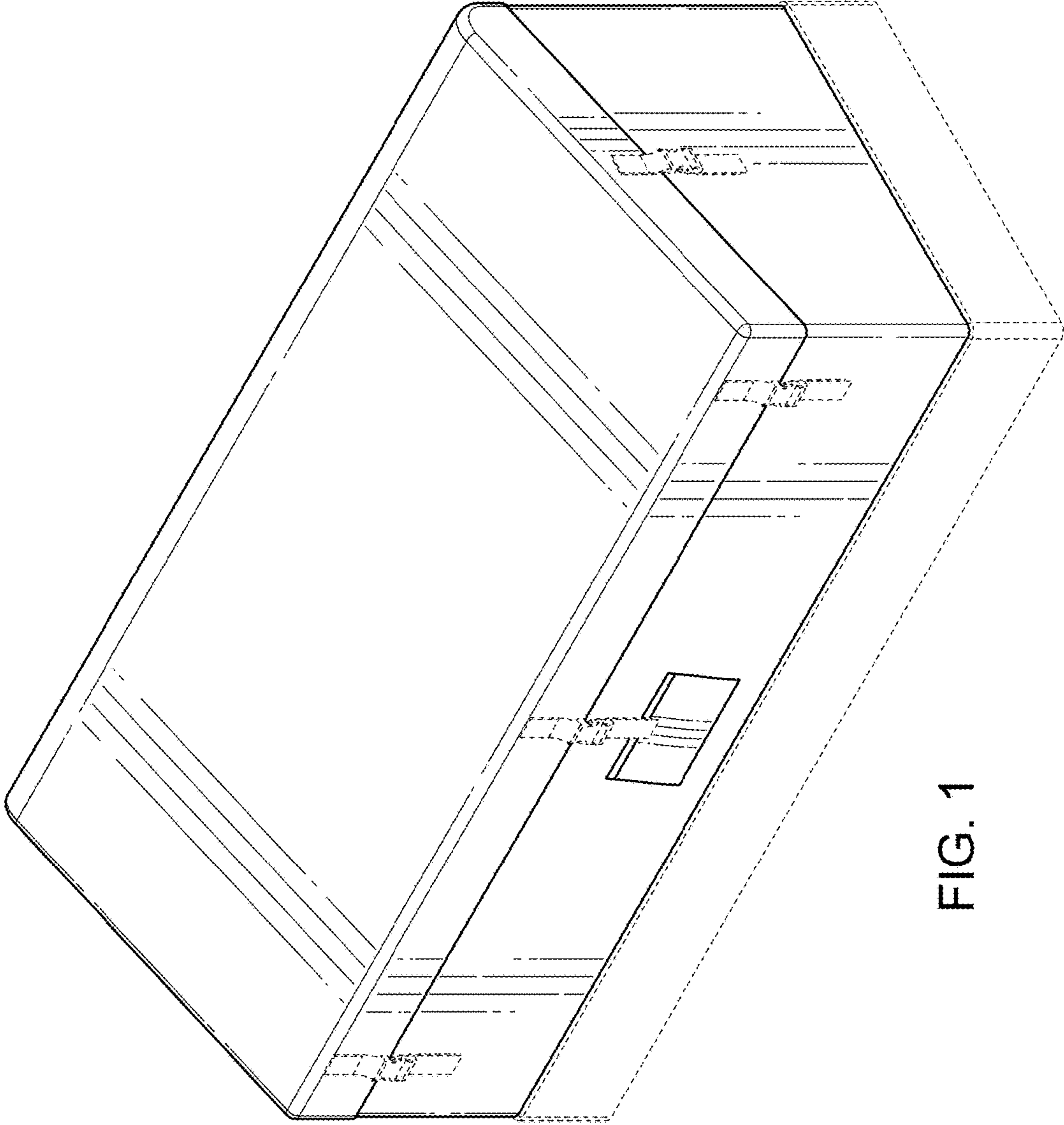


FIG. 1

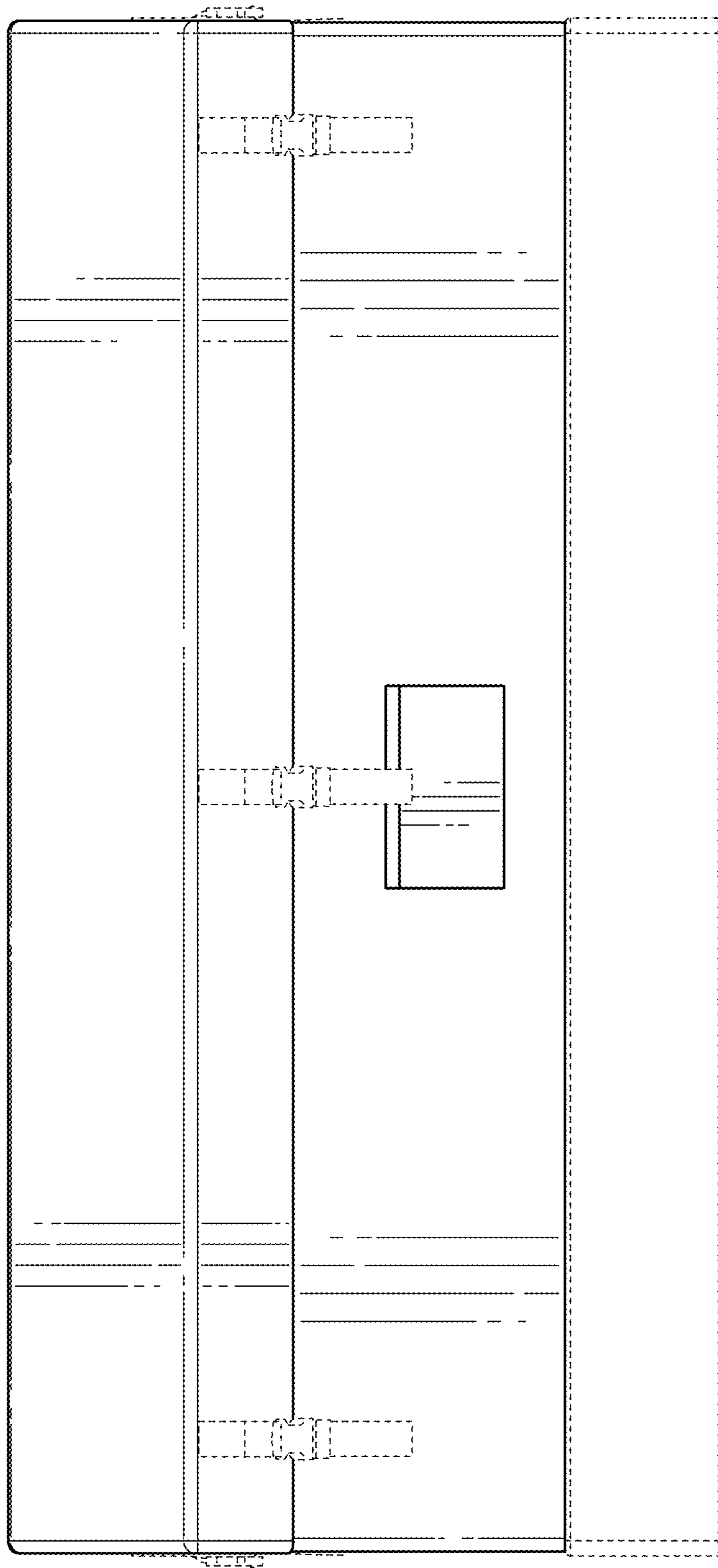


FIG. 2

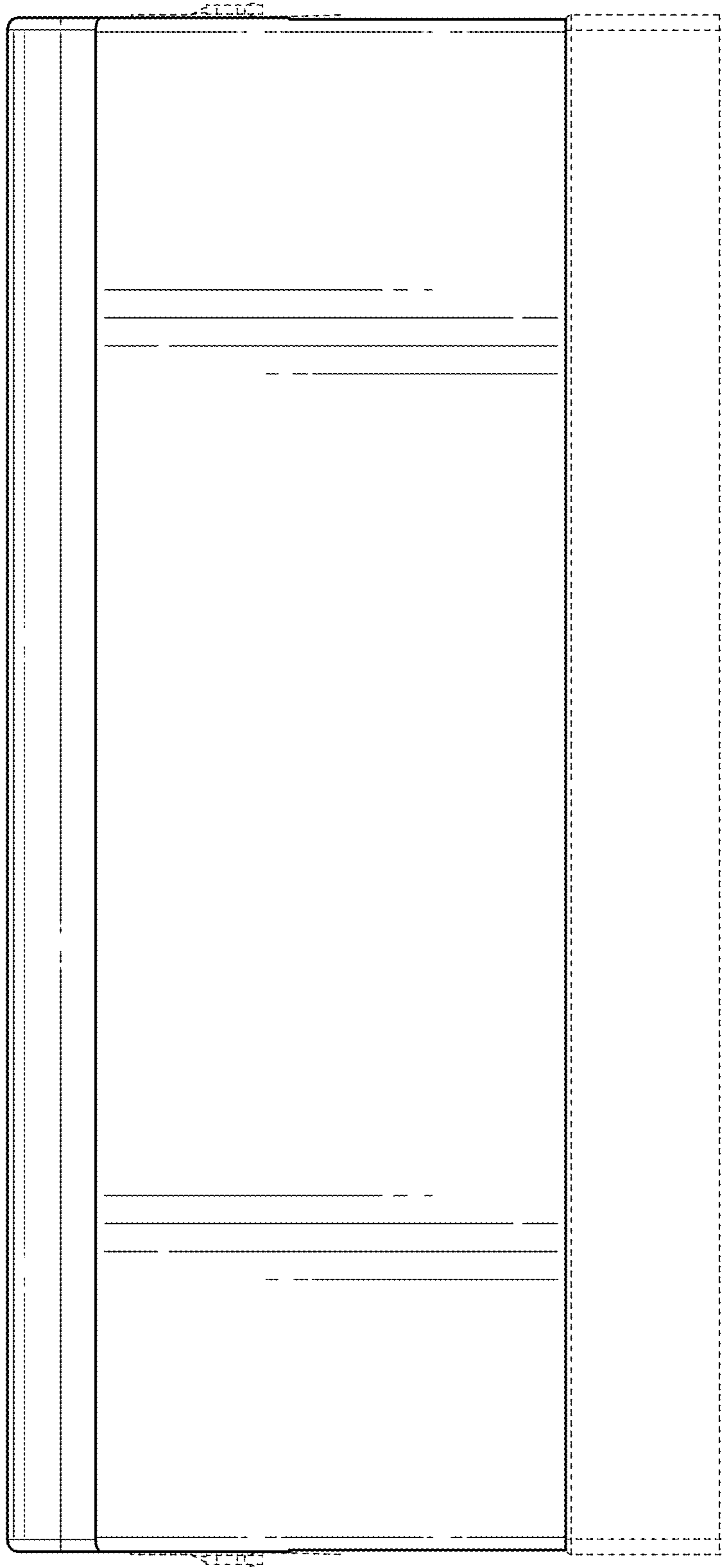


FIG. 3

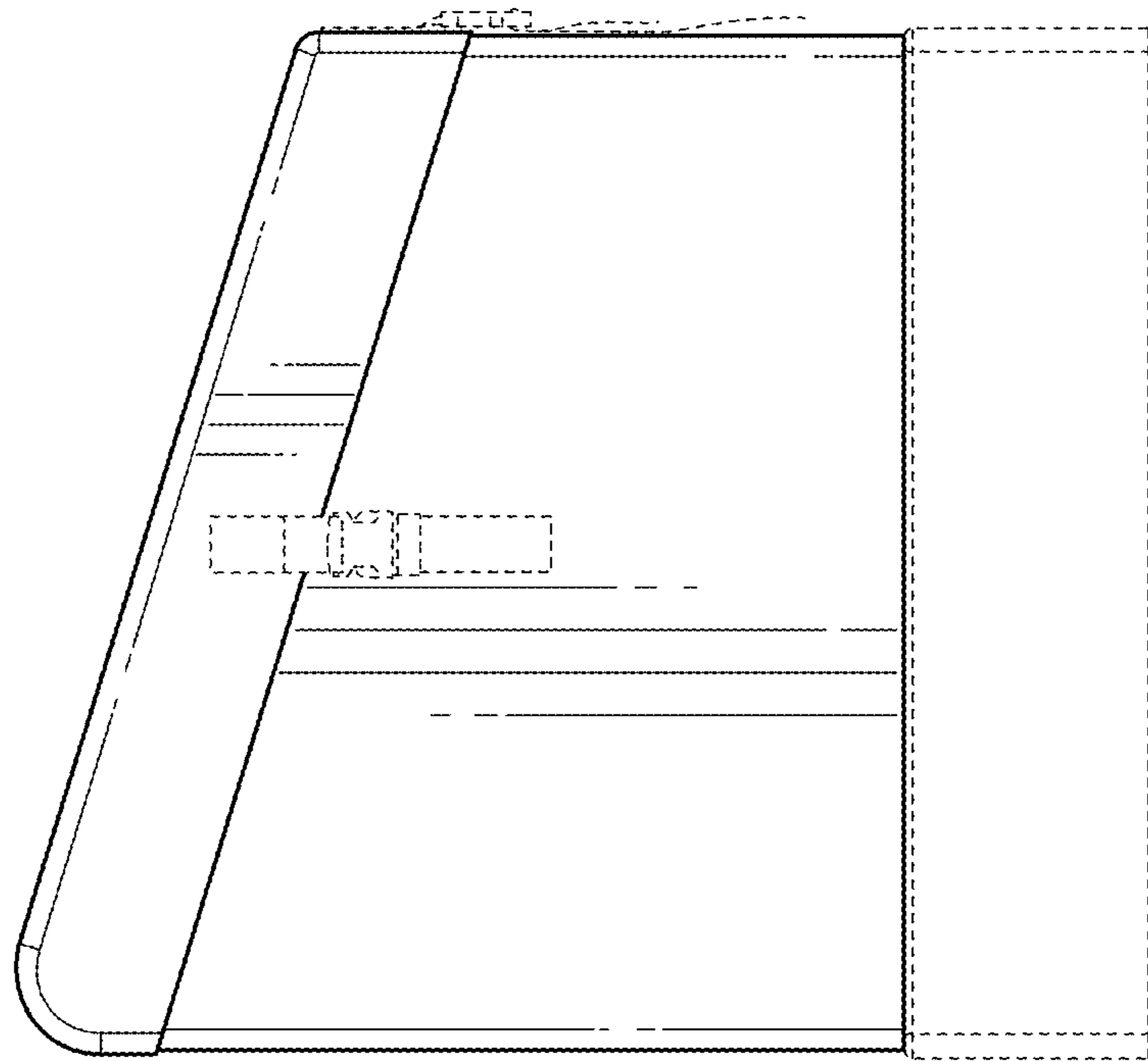


FIG. 4

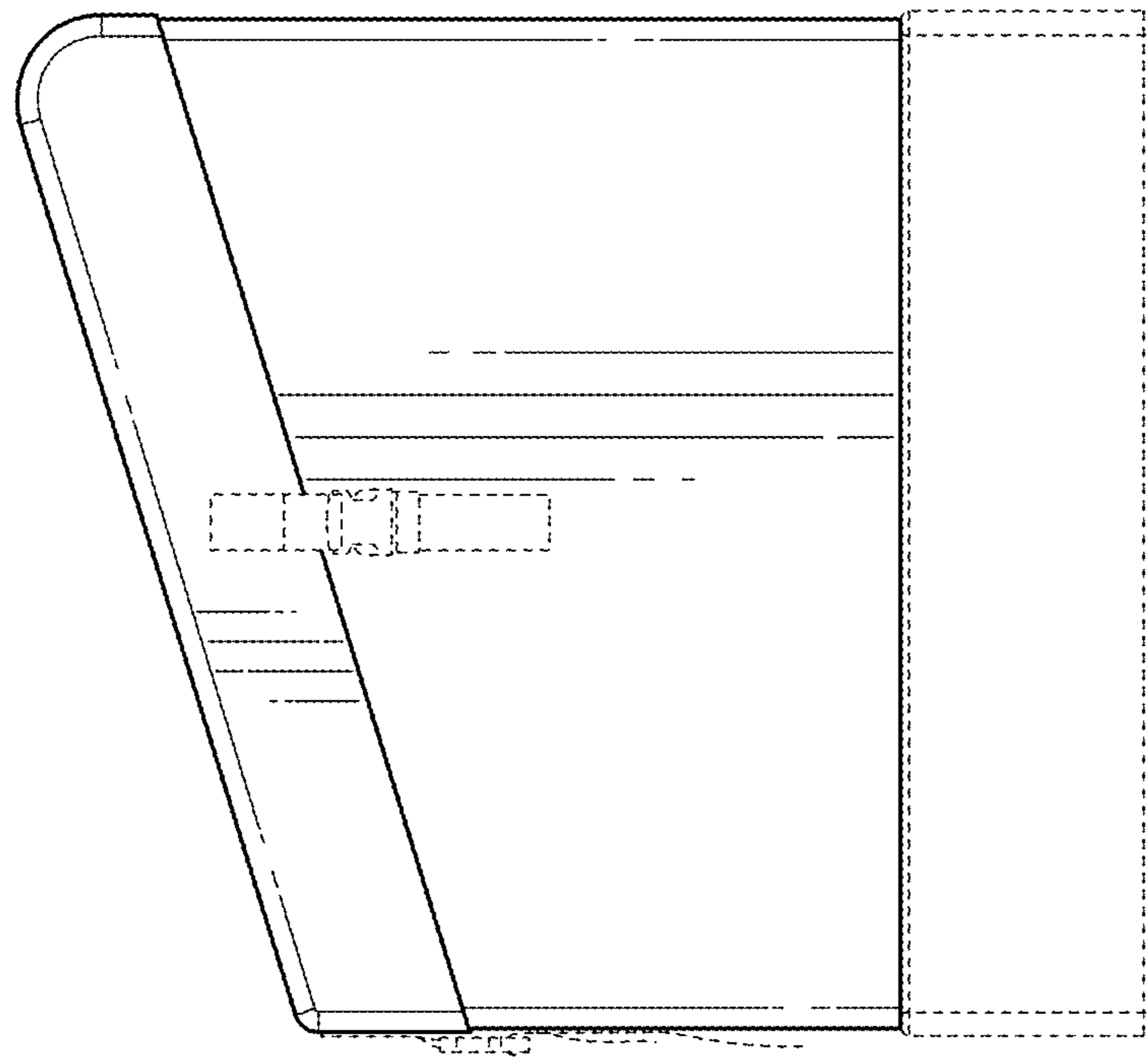


FIG. 5

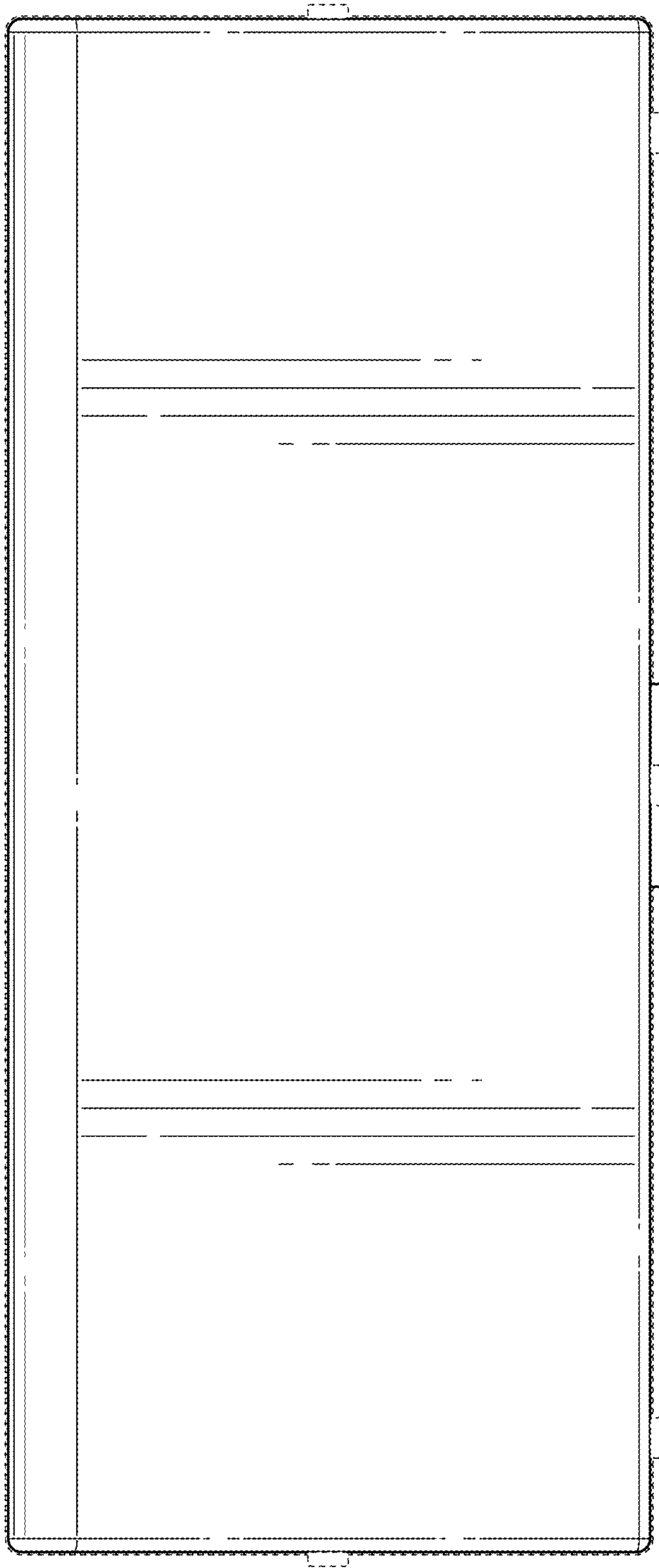


FIG. 6