



US00D814386S

(12) **United States Design Patent**
Carswell

(10) **Patent No.:** **US D814,386 S**

(45) **Date of Patent:** **** Apr. 3, 2018**

(54) **DEVICE FOR EXTRICATING
MUD-STALLED VEHICLES**

(71) Applicant: **Larry Bernard Carswell**, Conyers, GA
(US)

(72) Inventor: **Larry Bernard Carswell**, Conyers, GA
(US)

(**) Term: **15 Years**

(21) Appl. No.: **29/555,307**

(22) Filed: **Feb. 19, 2016**

(51) **LOC (11) Cl.** **12-16**

(52) **U.S. Cl.**

USPC **D12/400**

(58) **Field of Classification Search**

USPC D12/400, 184, 185

CPC B60S 9/205

See application file for complete search history.

(56) **References Cited**

U.S. PATENT DOCUMENTS

D723,985 S * 3/2015 Johnson D12/203

D726,637 S * 4/2015 Ring D12/400

D791,061 S * 7/2017 Kassouni D12/400
2002/0194787 A1* 12/2002 Bennett E06B 9/04
49/463

2003/0000038 A1* 1/2003 Jennings A47L 13/10
15/188

* cited by examiner

Primary Examiner — Katrina A Betton

(74) *Attorney, Agent, or Firm* — Michael J. Bootcheck,
LLC; Michael J. Bootcheck

(57) **CLAIM**

The ornamental design for a device for extricating mud-stalled vehicles, as shown and described.

DESCRIPTION

FIG. 1 is a perspective view of a device for extracting mud-stalled vehicles showing our new design;

FIG. 2 is a top view thereof;

FIG. 3 is a bottom view thereof;

FIG. 4 is a first side view thereof;

FIG. 5 is a second side view thereof;

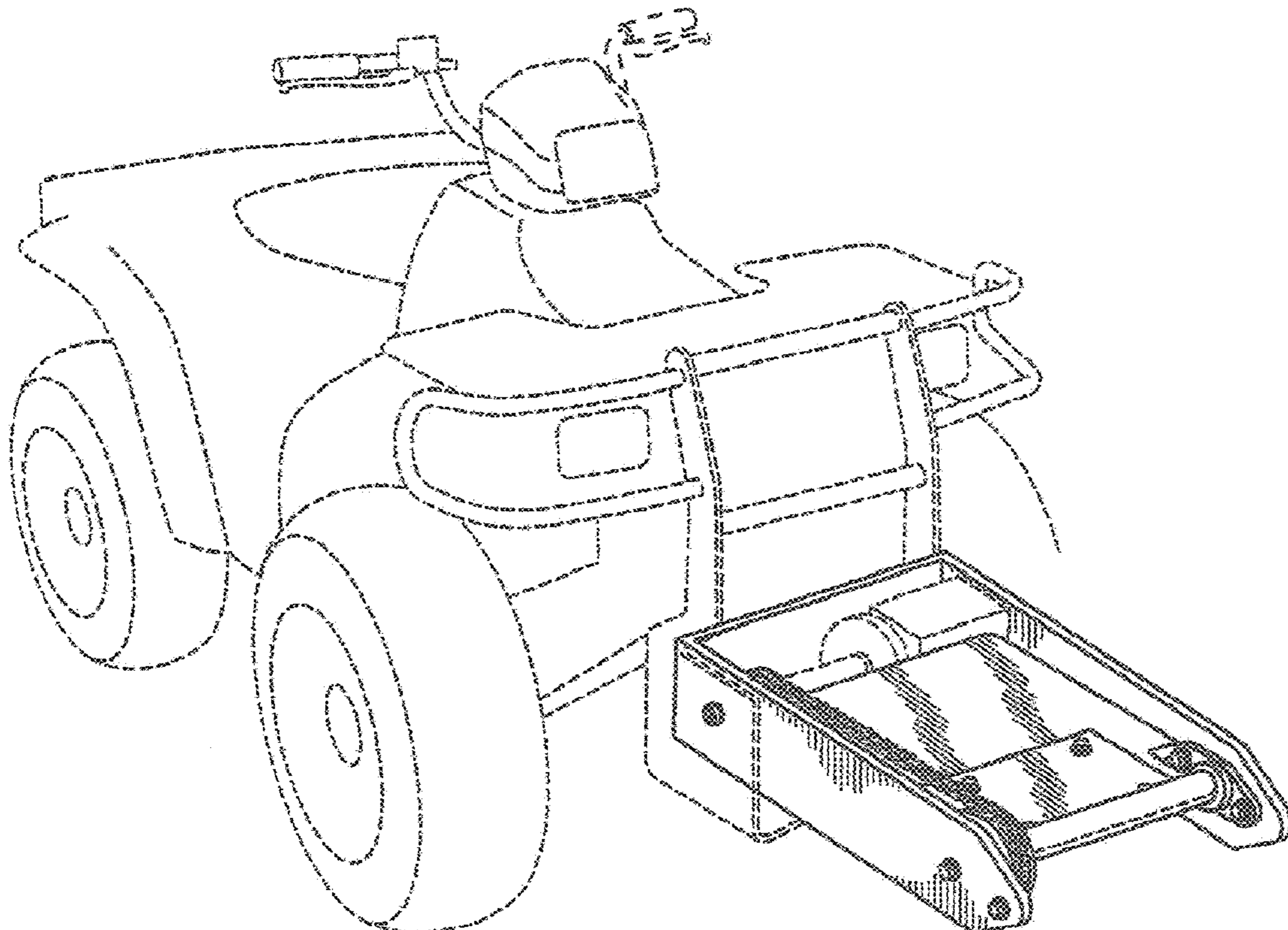
FIG. 6 is a third side view thereof;

FIG. 7 is a fourth side view thereof; and,

FIG. 8 is a perspective view thereof with the device in an upright condition.

In the drawings, the broken lines depict a vehicle that form no part of the claimed design.

1 Claim, 6 Drawing Sheets



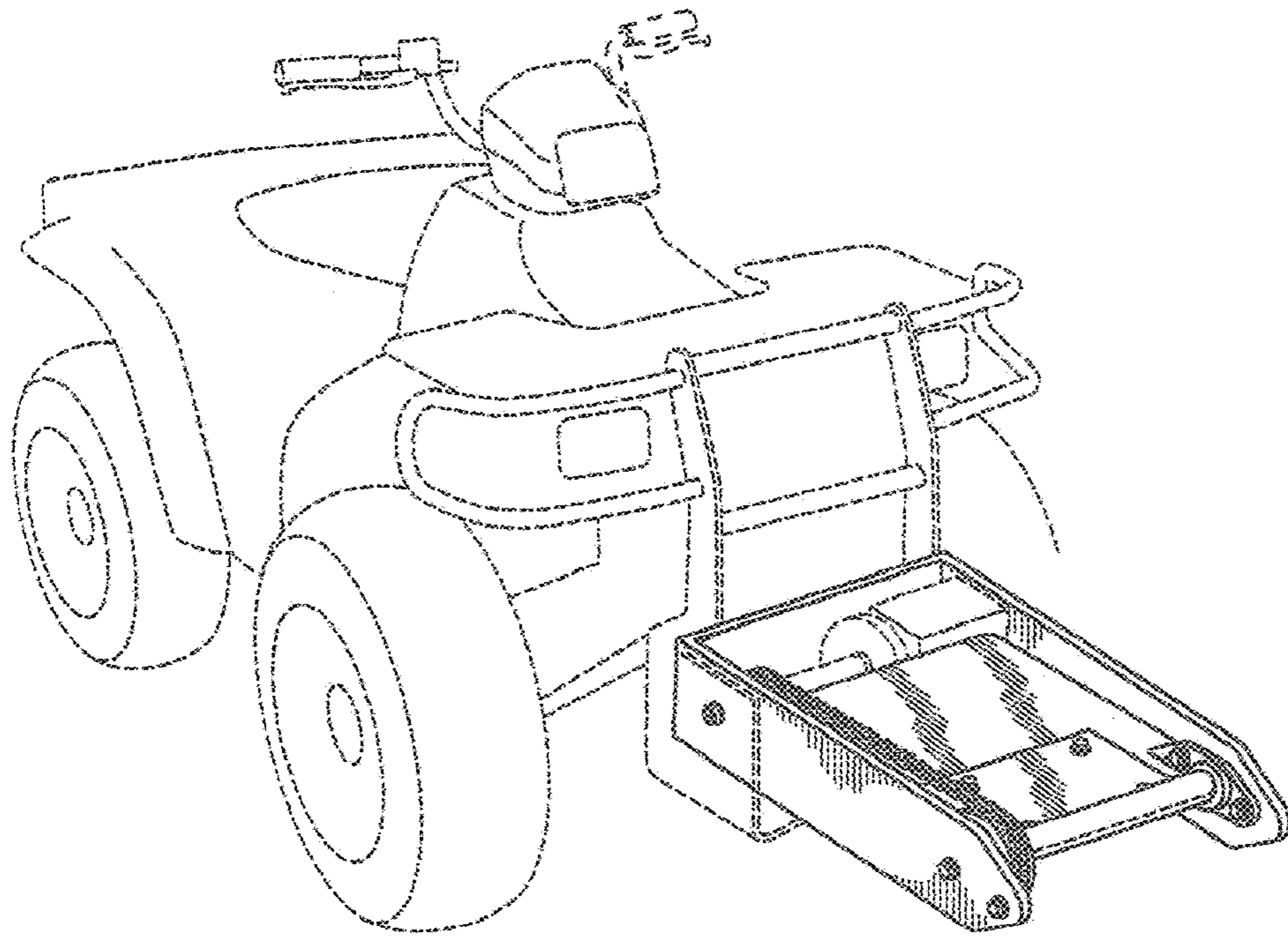


FIG. 1

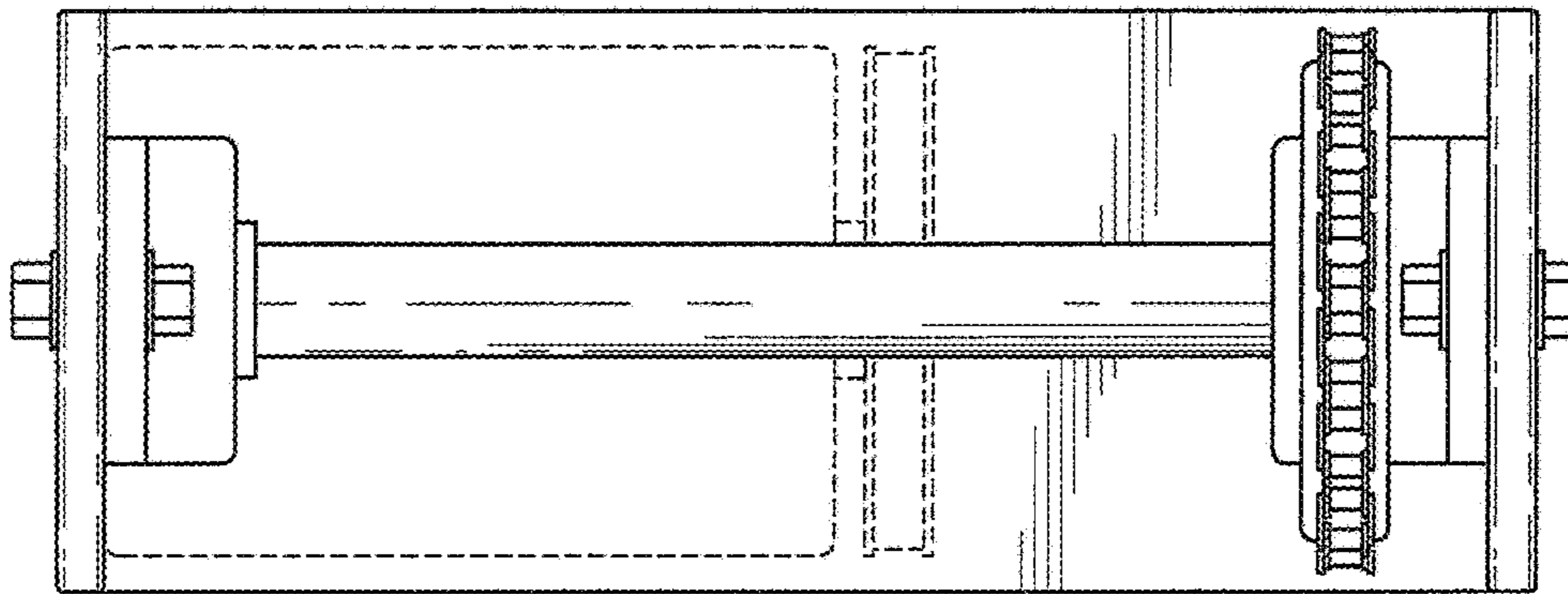


FIG. 2

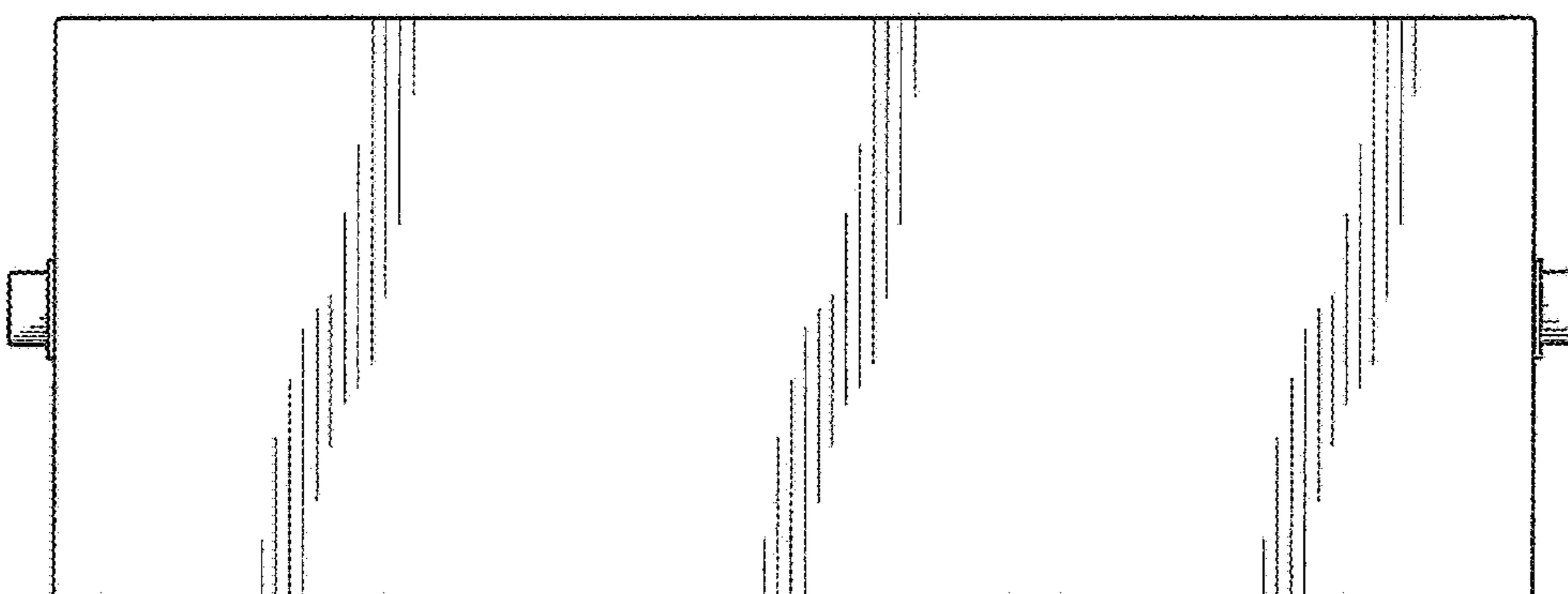


FIG. 3

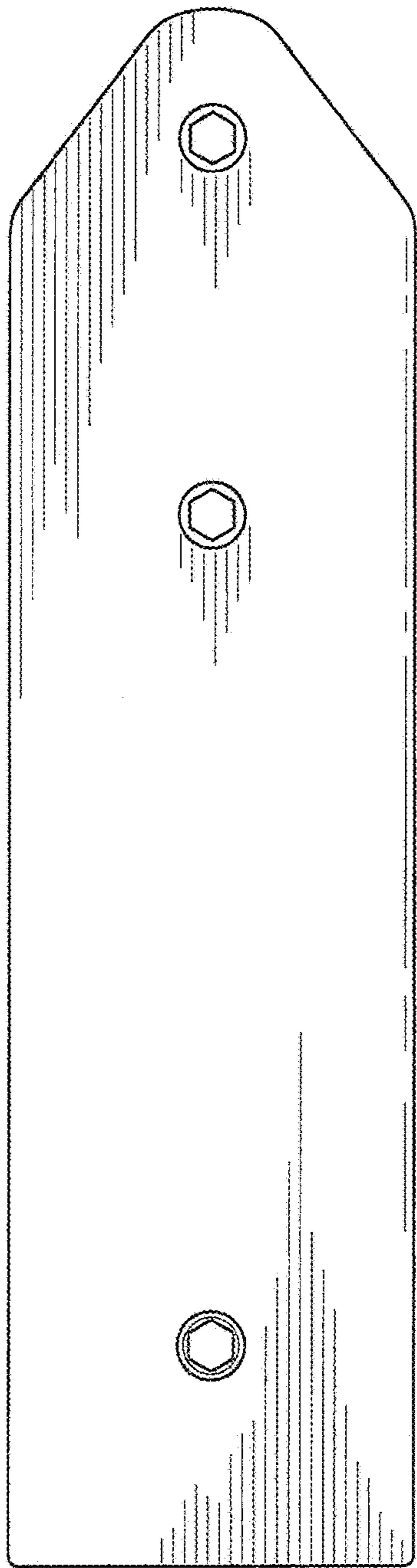


FIG. 4

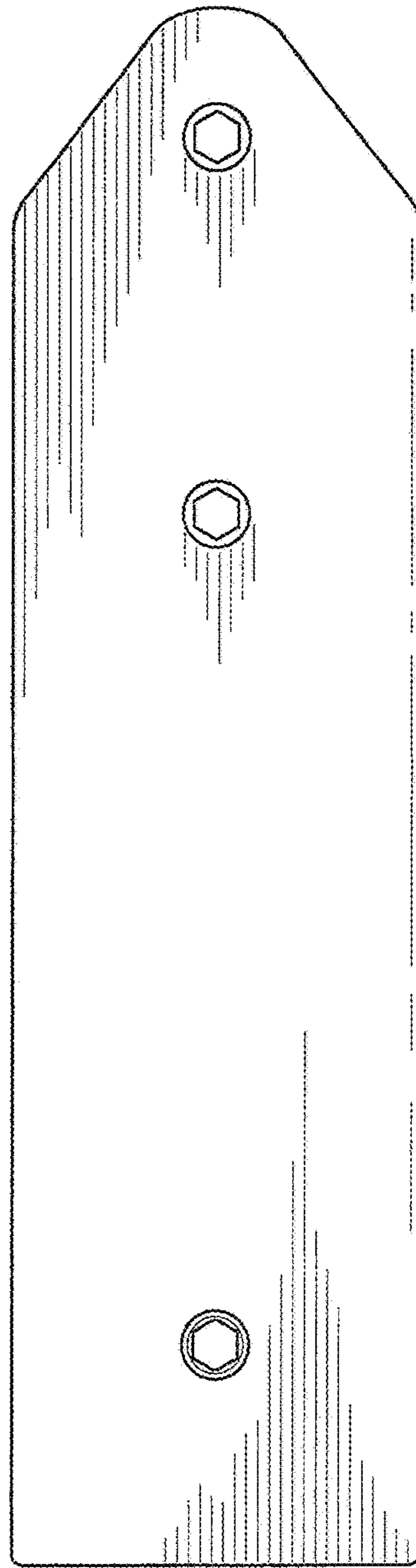


FIG. 5

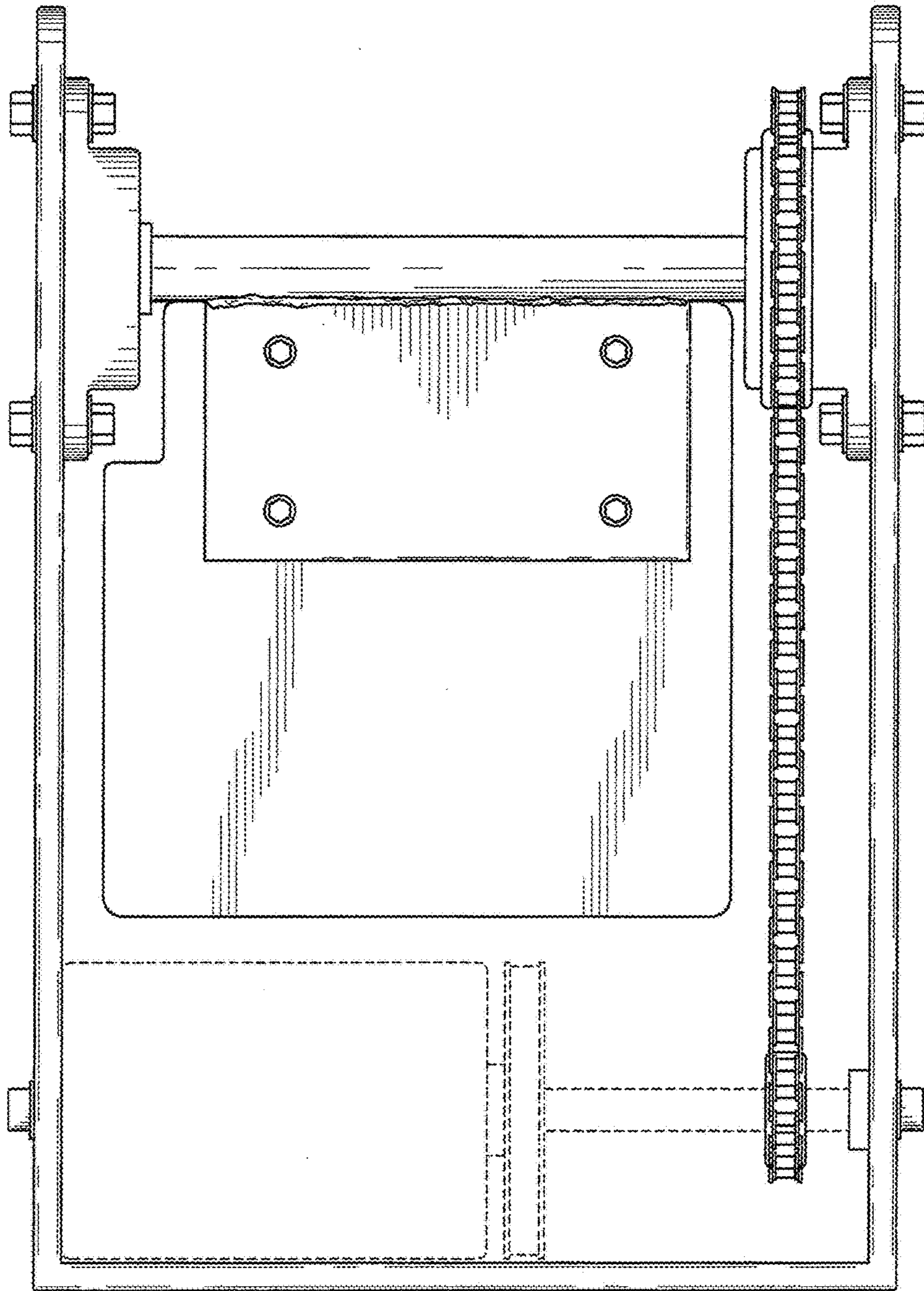


FIG. 6

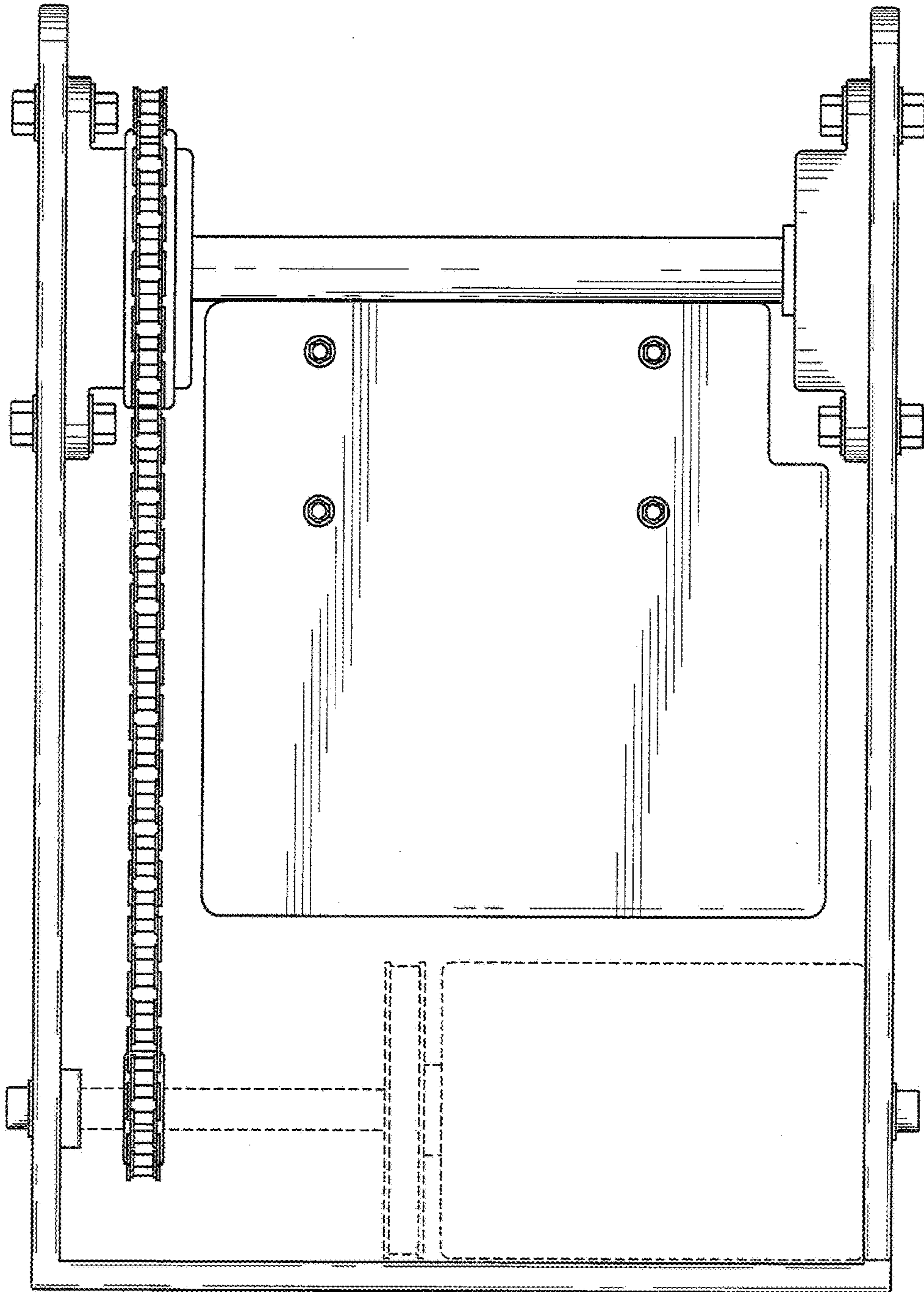


FIG. 7

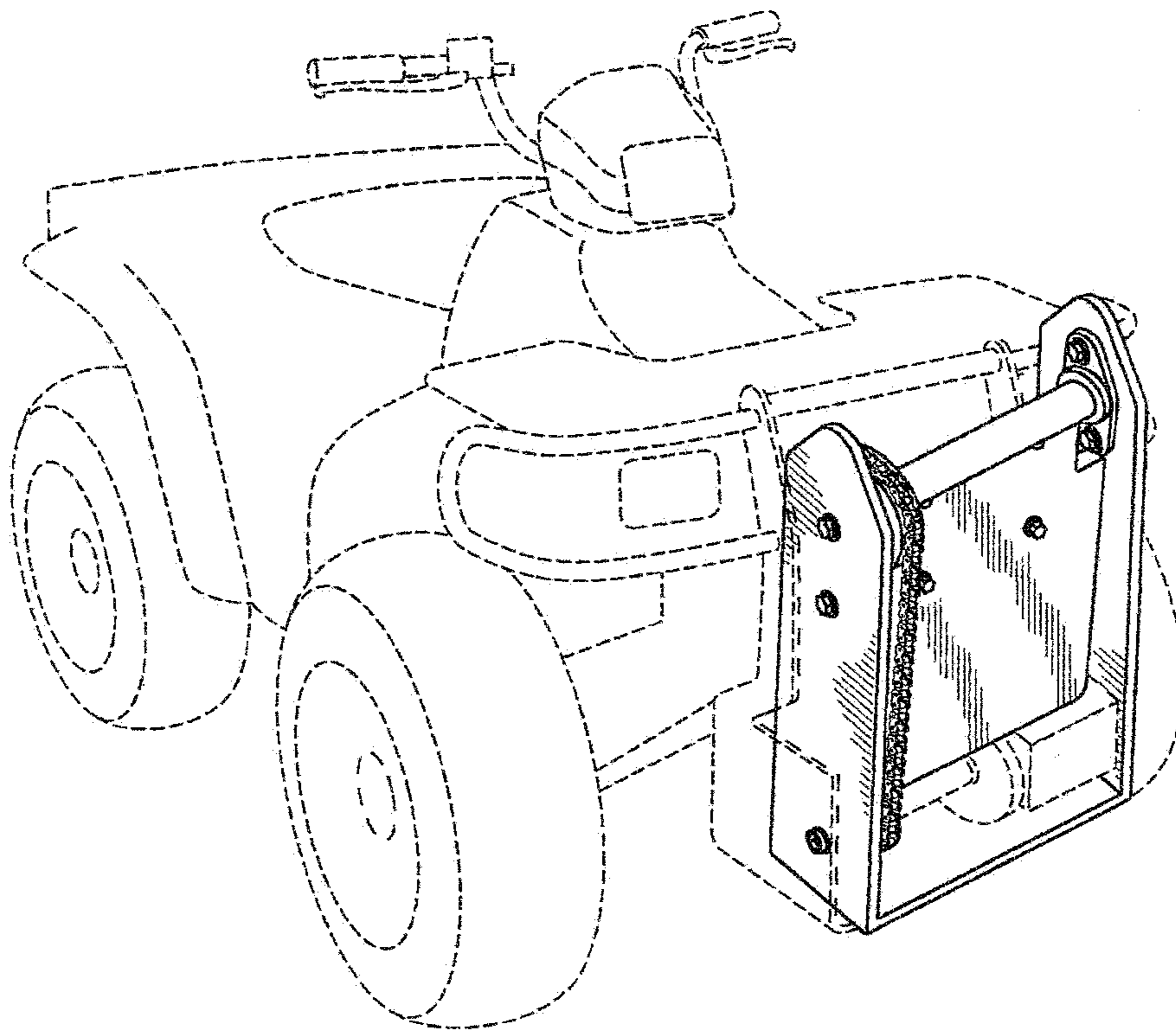


FIG. 8