



US00D814385S

(12) **United States Design Patent**  
**Zhao**

(10) **Patent No.:** **US D814,385 S**

(45) **Date of Patent:** **\*\* Apr. 3, 2018**

(54) **QUADCOPTER**

(71) Applicant: **Jianjia Zhao**, Zhangzhou (CN)

(72) Inventor: **Jianjia Zhao**, Zhangzhou (CN)

(\*\*) Term: **15 Years**

(21) Appl. No.: **29/608,872**

(22) Filed: **Jun. 27, 2017**

(51) **LOC (11) Cl.** ..... **12-07**

(52) **U.S. Cl.**

USPC ..... **D12/328**; D12/16.1

(58) **Field of Classification Search**

USPC ..... D12/16.1, 319, 325, 326, 327, 328,  
D12/329-345; D21/436, 441, 442, 443,  
D21/444, 445-453

CPC ..... B64C 39/024; B64C 2201/141; B64C  
2201/00; B64C 2201/108

See application file for complete search history.

(56) **References Cited**

**U.S. PATENT DOCUMENTS**

D741,751 S \* 10/2015 Klaptocz ..... D12/16.1  
D756,842 S \* 5/2016 Ashjaee ..... D12/16.1  
D767,043 S \* 9/2016 Morrison ..... D12/16.1  
D768,540 S \* 10/2016 Ji ..... D12/16.1  
D783,727 S \* 4/2017 Xiao ..... D21/441  
D785,717 S \* 5/2017 Xiao ..... D21/441

D793,482 S \* 8/2017 Wang ..... D12/16.1  
D797,859 S \* 9/2017 Caubel ..... D21/441  
D798,962 S \* 10/2017 Xiao ..... D21/441  
D798,963 S \* 10/2017 Xiao ..... D21/441  
D800,016 S \* 10/2017 Huang ..... D12/16.1  
D808,301 S \* 1/2018 Goldy ..... D12/16.1  
2014/0117149 A1 \* 5/2014 Zhou ..... A63H 27/12  
244/17.23  
2017/0043869 A1 \* 2/2017 Howard ..... B64C 39/024  
2017/0144753 A1 \* 5/2017 Yu ..... B64C 39/024  
2017/0285661 A1 \* 10/2017 Harada ..... G05D 1/101  
2018/0002023 A1 \* 1/2018 Tian ..... B64D 13/006

\* cited by examiner

*Primary Examiner* — Robert M. Spear

*Assistant Examiner* — Marissa J Cash

(57) **CLAIM**

The ornamental design for a quadcopter, as shown.

**DESCRIPTION**

FIG. 1 is a front elevational view of a quadcopter showing my new design;

FIG. 2 is a rear elevational view thereof;

FIG. 3 is a left side elevational view thereof;

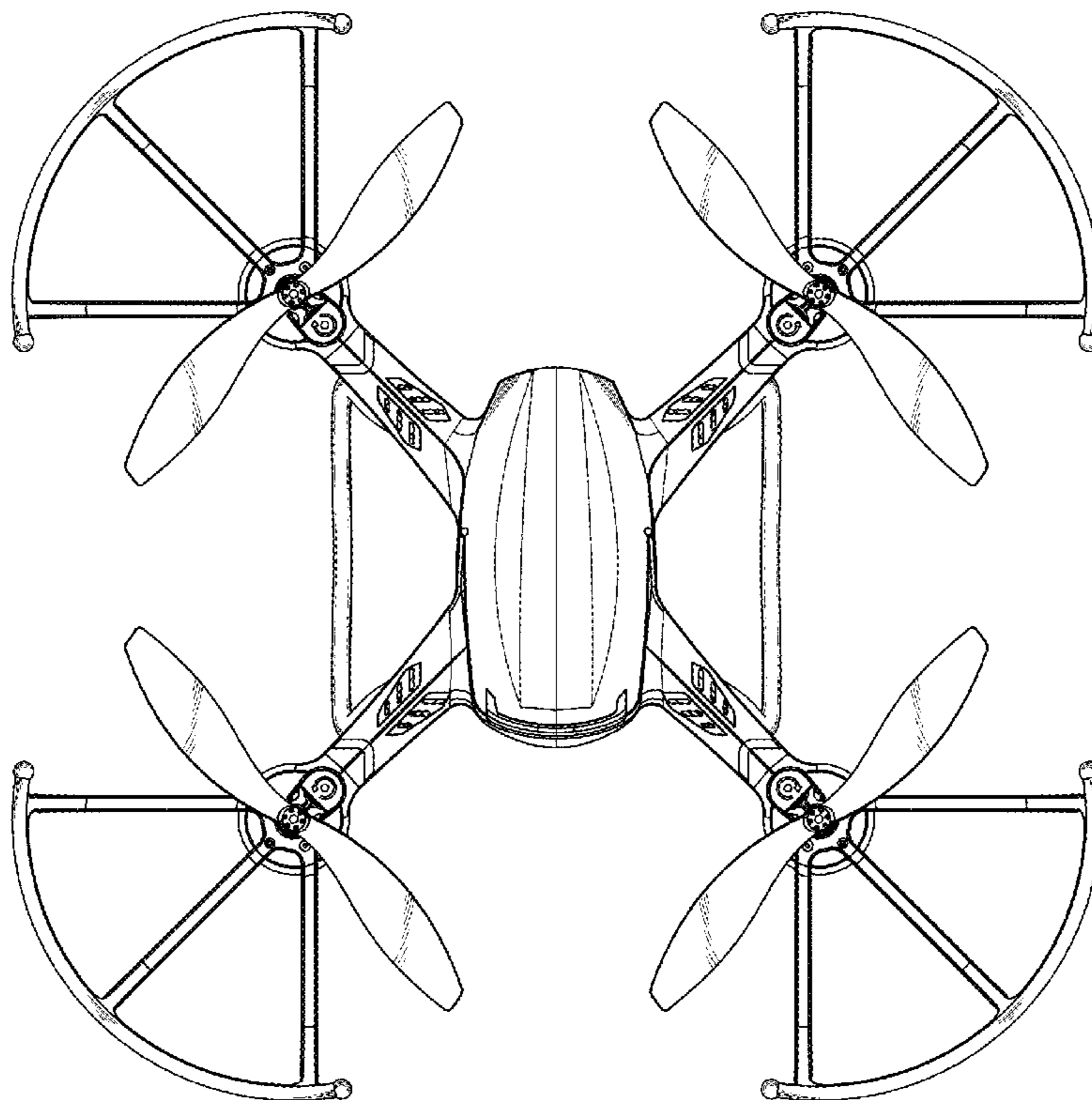
FIG. 4 is a right side elevational view thereof;

FIG. 5 is a top plan view thereof;

FIG. 6 is a bottom plan view thereof; and,

FIG. 7 is a front perspective view thereof.

**1 Claim, 7 Drawing Sheets**



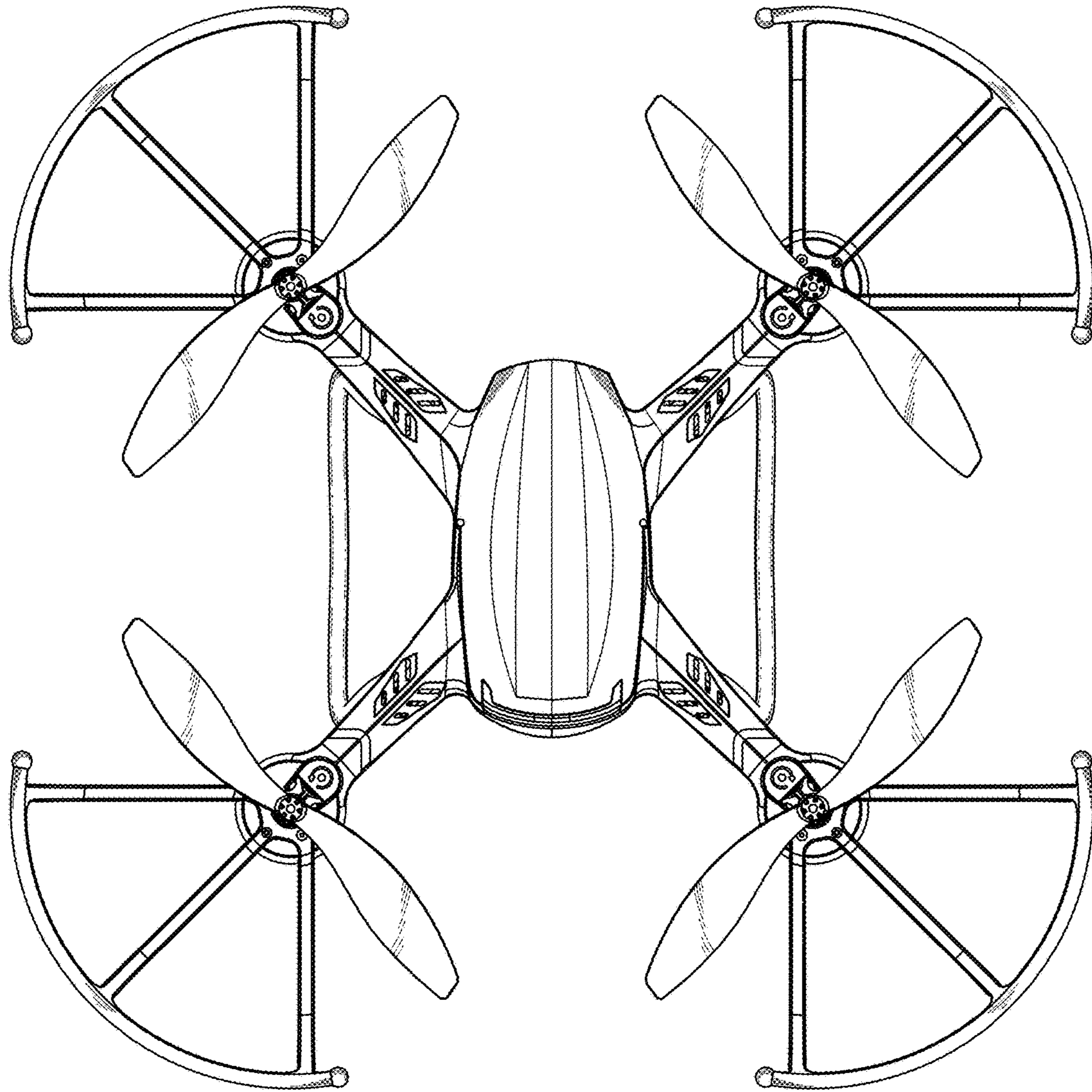


FIG.1

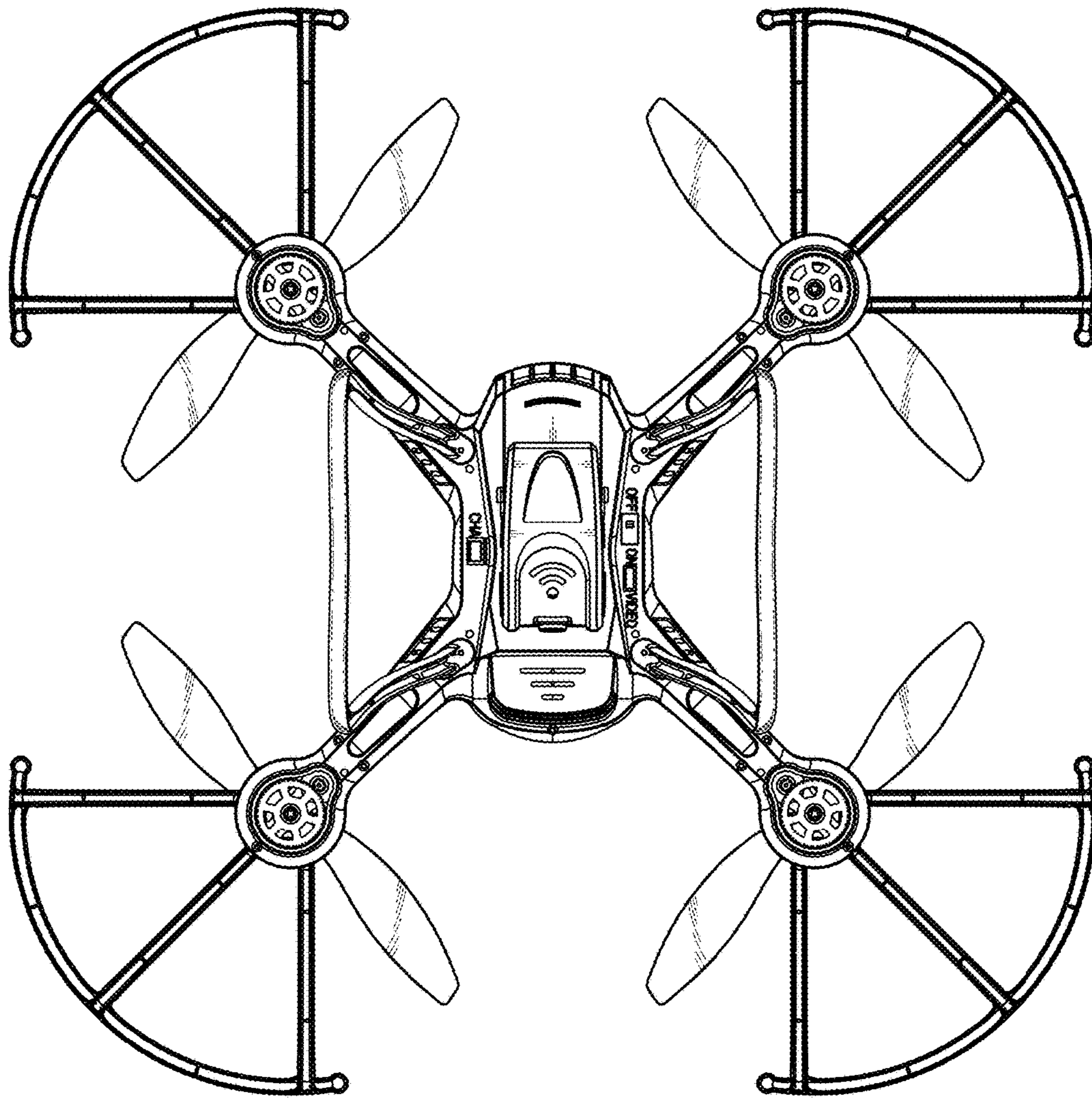


FIG.2

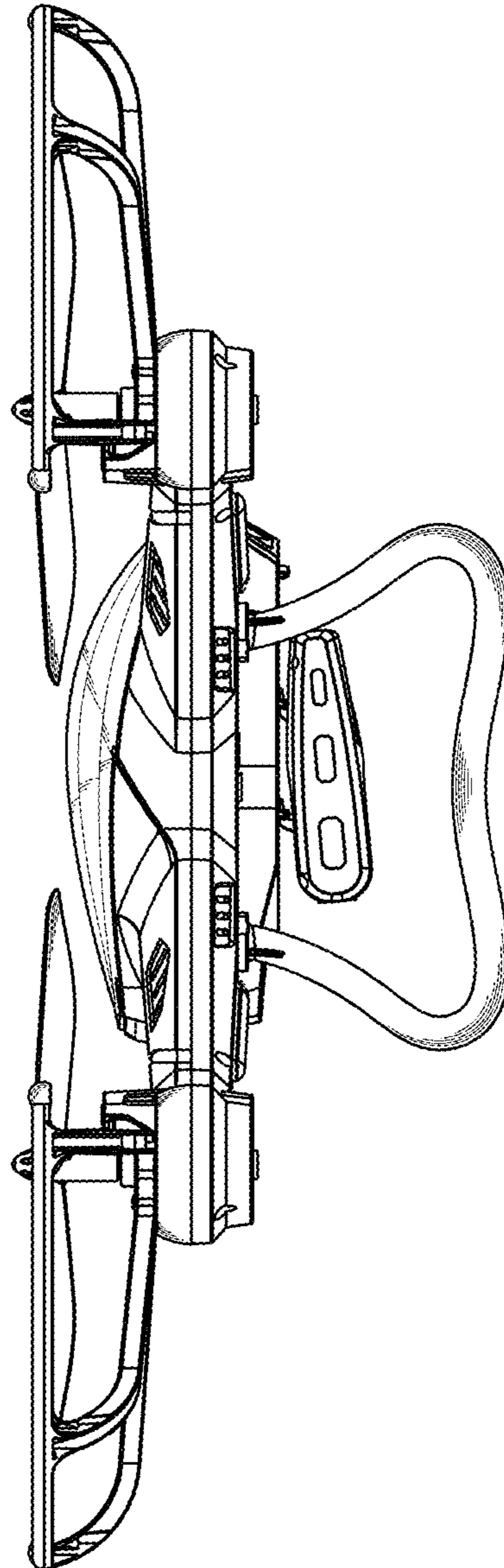


FIG.3

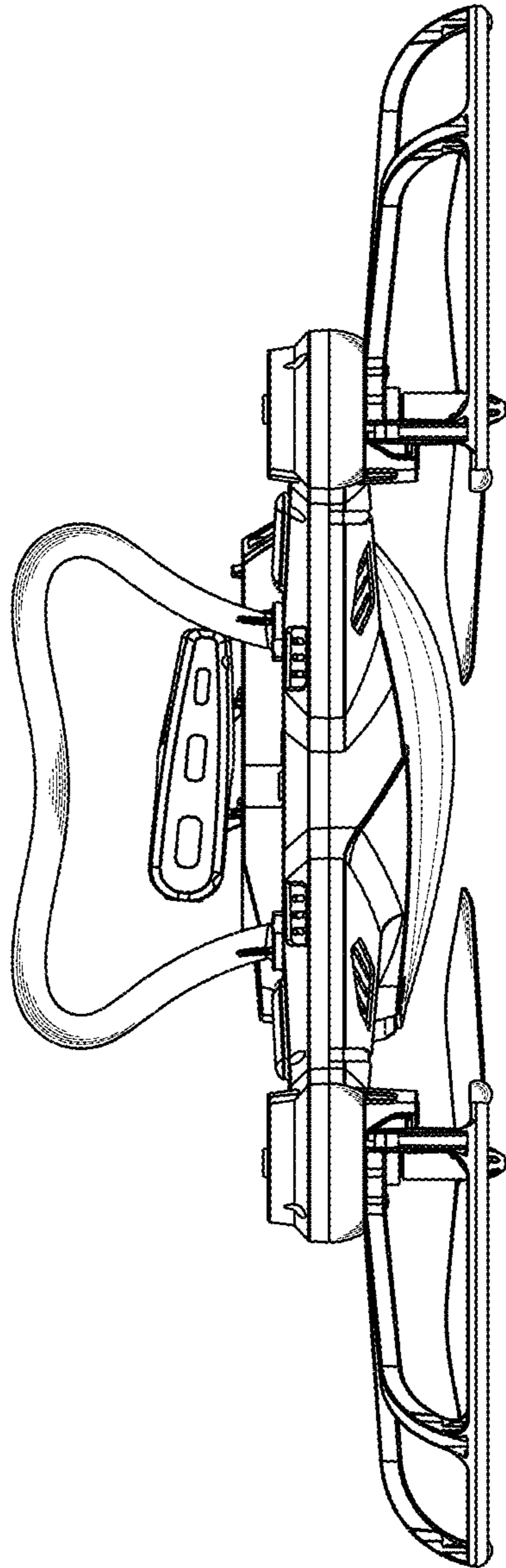


FIG.4

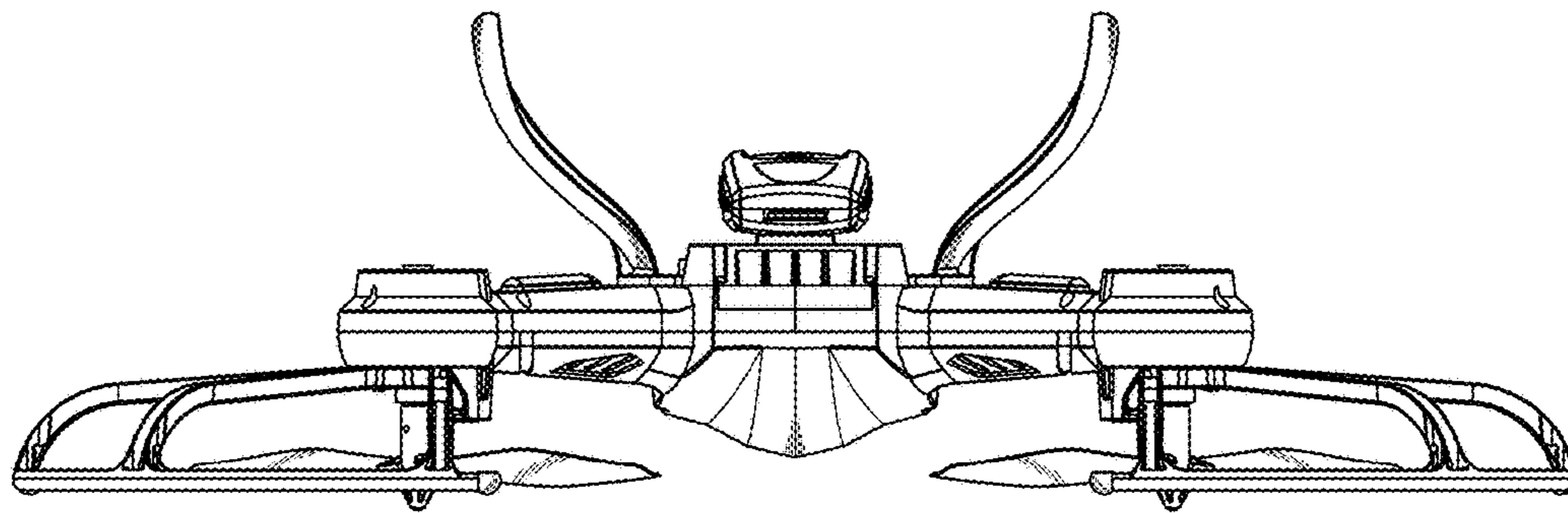


FIG.5

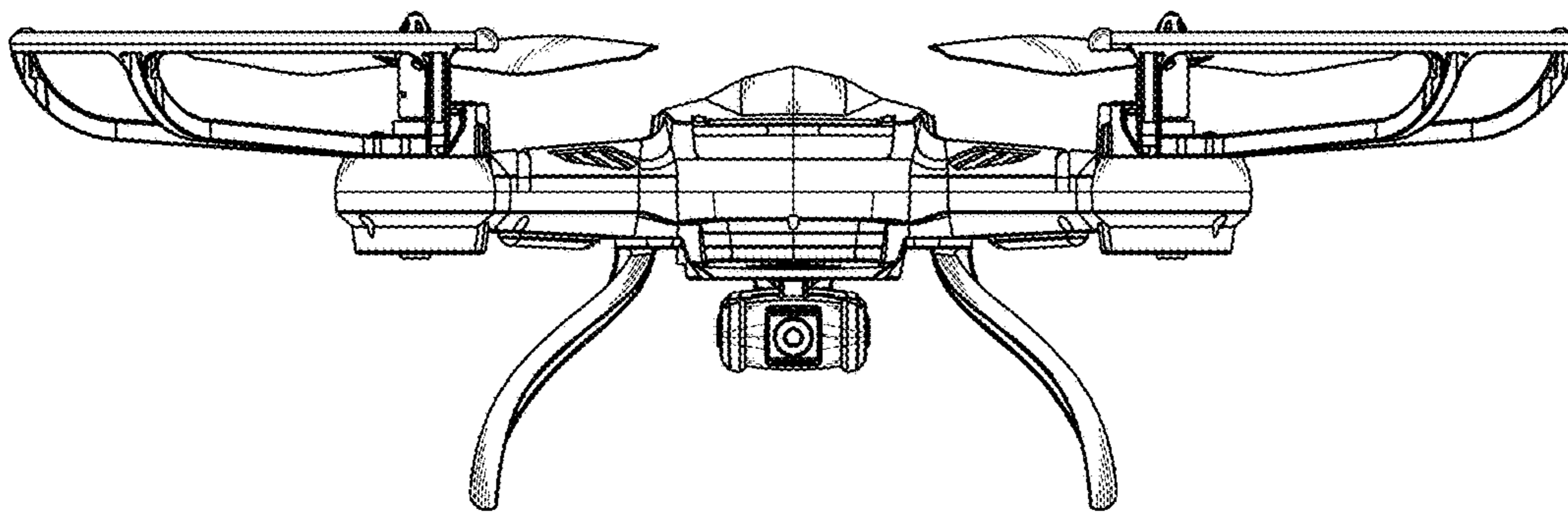


FIG.6

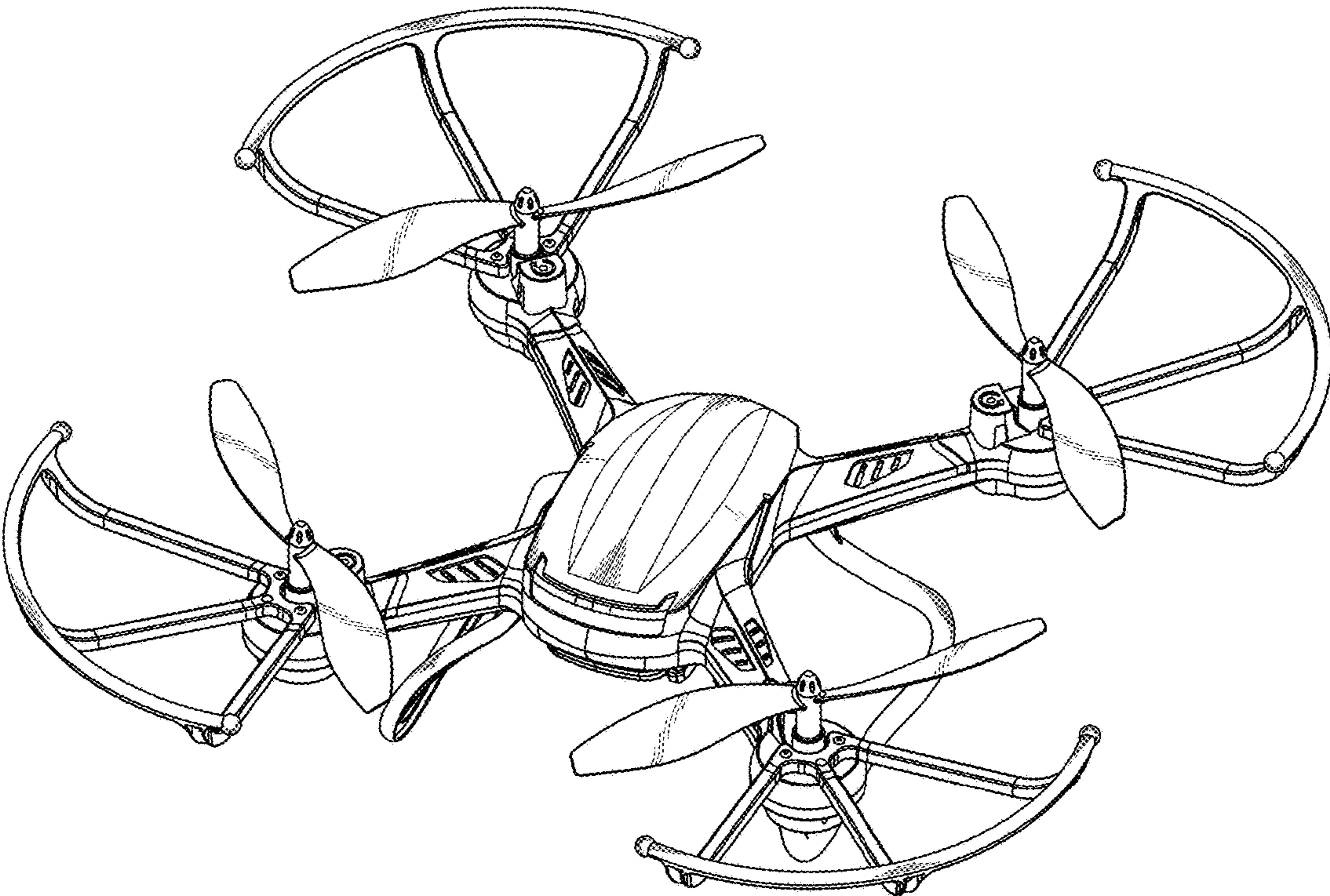


FIG.7