



US00D814384S

(12) **United States Design Patent**
Richter

(10) **Patent No.:** **US D814,384 S**

(45) **Date of Patent:** **** Apr. 3, 2018**

(54) **FITTING FOR LASHING AND BLOCKING A LOAD**

(71) Applicant: **Rainer GmbH**, Cologne (DE)

(72) Inventor: **Andreas Richter**, Cologne (DE)

(73) Assignee: **RAINER GMBH**, Cologne (DE)

(**) Term: **15 Years**

(21) Appl. No.: **29/585,851**

(22) Filed: **Nov. 29, 2016**

(51) **LOC (11) Cl.** **12-06**

(52) **U.S. Cl.**
USPC **D12/223**; D8/349

(58) **Field of Classification Search**
USPC D8/354, 349, 355, 366, 499; D12/223;
294/215, 52.1; 410/101; 411/508, 509,
411/510, 45; 248/300, 200, 187.1, 495
CPC B60P 7/0807; B60P 7/00; B60P 3/073;
B64D 9/003; B61D 45/00; B66C 1/66;
Y02T 50/46
See application file for complete search history.

(56) **References Cited**

U.S. PATENT DOCUMENTS

- 3,888,190 A * 6/1975 Bigge B60P 7/0807
410/101
- 4,645,392 A * 2/1987 Takaguchi B60P 7/132
248/499
- 4,850,769 A * 7/1989 Matthews B60P 7/0815
410/105
- 5,765,977 A * 6/1998 Reynard B60P 7/132
410/70
- D408,267 S * 4/1999 Egigian D8/354
- 6,032,993 A * 3/2000 Kwon B66C 1/66
294/215
- 6,065,917 A * 5/2000 Shambeau B60P 7/0807
410/106
- 6,213,696 B1 * 4/2001 Austin B60N 2/2806
410/101

- 6,519,816 B1 * 2/2003 Tagaguchi B65D 90/0013
24/287
- 6,547,474 B1 * 4/2003 Smetz B60P 7/0807
403/150
- 6,953,212 B2 * 10/2005 Alba B66C 1/66
294/217
- 7,036,858 B2 * 5/2006 Buck B66C 1/66
294/215
- 7,086,815 B2 * 8/2006 Bruns B60P 7/0807
410/107
- 7,134,819 B2 * 11/2006 Bullock B60P 7/0807
410/102
- 7,201,550 B2 * 4/2007 Borrmann B60P 7/0807
410/102
- D549,556 S * 8/2007 Christie D8/354
- D552,530 S * 10/2007 Kirkpatrick B60R 25/00
D12/223

(Continued)

OTHER PUBLICATIONS

Rainer GmbH; Operator Manual "Reefer Safety Module RSM Typ 3"; undated.

Primary Examiner — Mark Goodwin

(74) *Attorney, Agent, or Firm* — Andrew Wilford

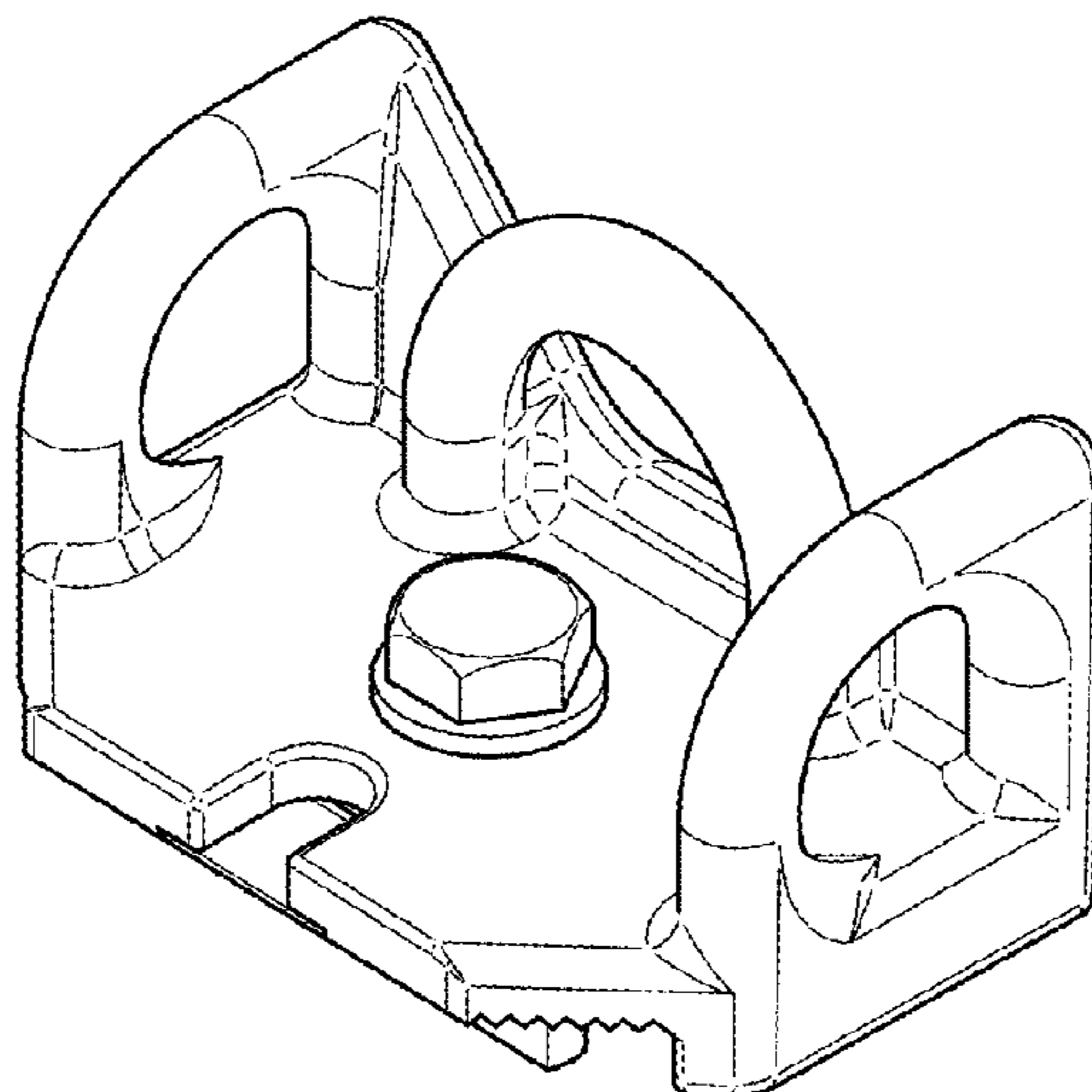
(57) **CLAIM**

The ornamental design for a fitting for lashing and blocking a load, as shown and described.

DESCRIPTION

FIG. 1. Is an isometric front view from above of a fitting for lashing and blocking a load;
FIG. 2 is an isometric back view from above of the invention;
FIG. 3 is an isometric front view from below of the invention; and,
FIG. 4 is an isometric back view from below of the invention.

1 Claim, 1 Drawing Sheet



(56)

References Cited

U.S. PATENT DOCUMENTS

D565,935 S * 4/2008 Selby D8/356
7,621,414 B2 * 11/2009 Bederke B65D 90/0013
206/512
D619,954 S * 7/2010 Le D12/223
7,942,601 B2 * 5/2011 Bohman B60P 7/132
220/1.5
D681,574 S * 5/2013 Buxton D13/199
8,807,617 B2 * 8/2014 Smetz B66C 1/66
294/215
9,809,358 B2 * 11/2017 Lanigan, Sr. B65D 45/22
2004/0113039 A1 * 6/2004 Becker B62H 3/00
248/499
2004/0265088 A1 * 12/2004 Borrmann B60P 7/0807
410/111
2007/0212183 A1 * 9/2007 Brewster B60P 7/132
410/82
2009/0116901 A1 * 5/2009 Bohman B60P 7/132
403/348
2012/0223539 A1 * 9/2012 Smetz B60P 7/0807
294/215
2014/0359977 A1 * 12/2014 Bean B65D 90/0013
24/287

* cited by examiner

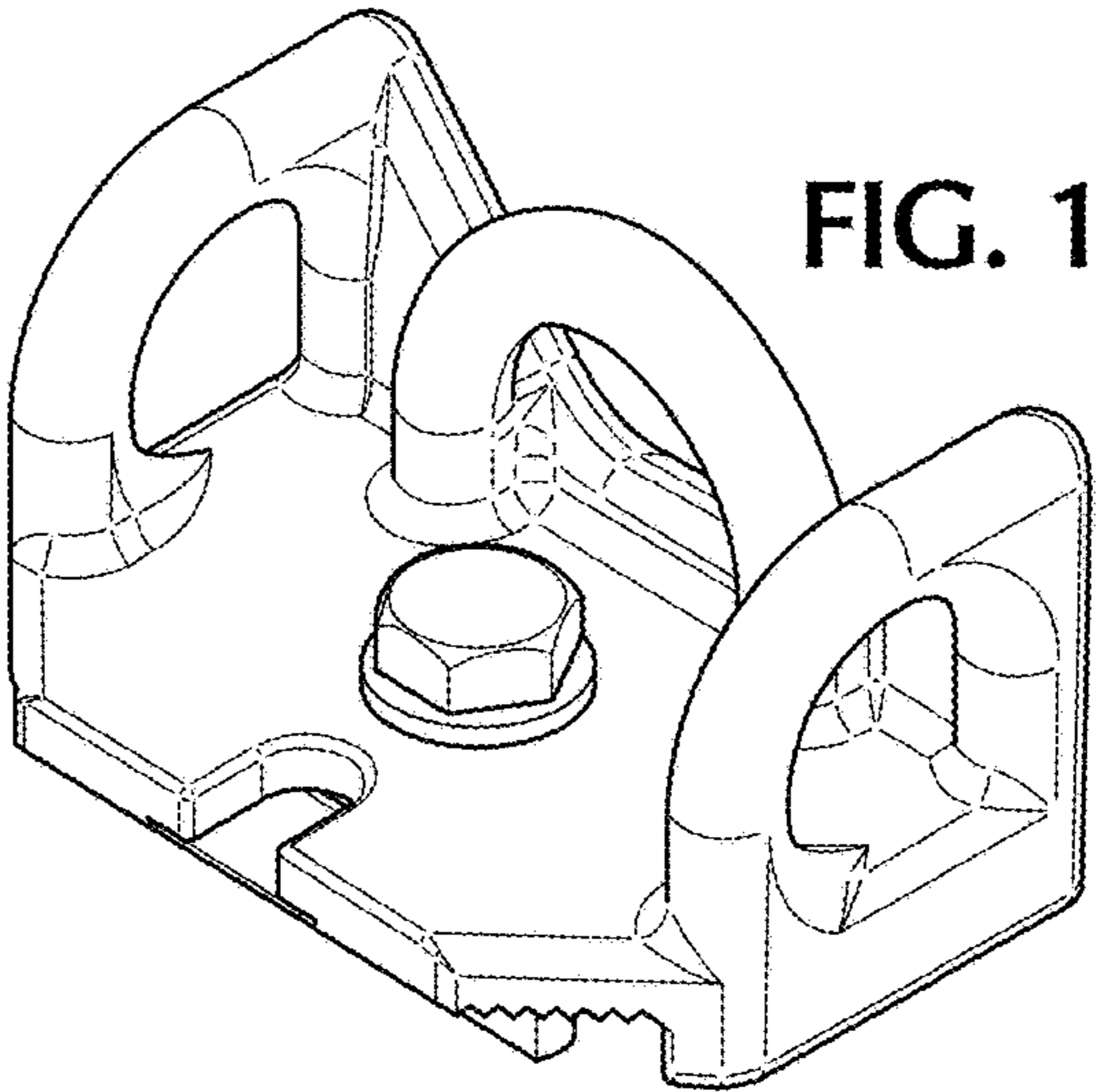


FIG. 1

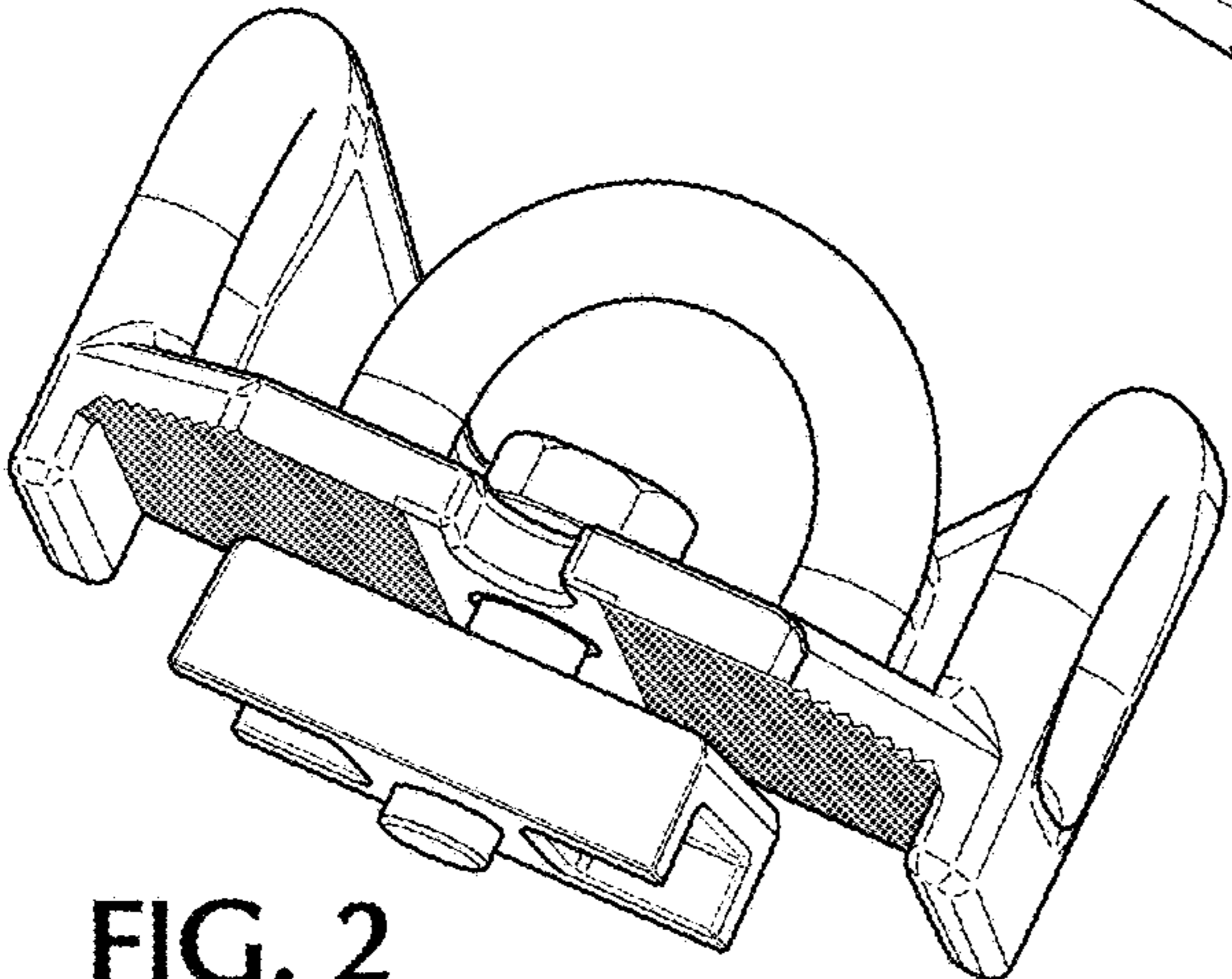


FIG. 2

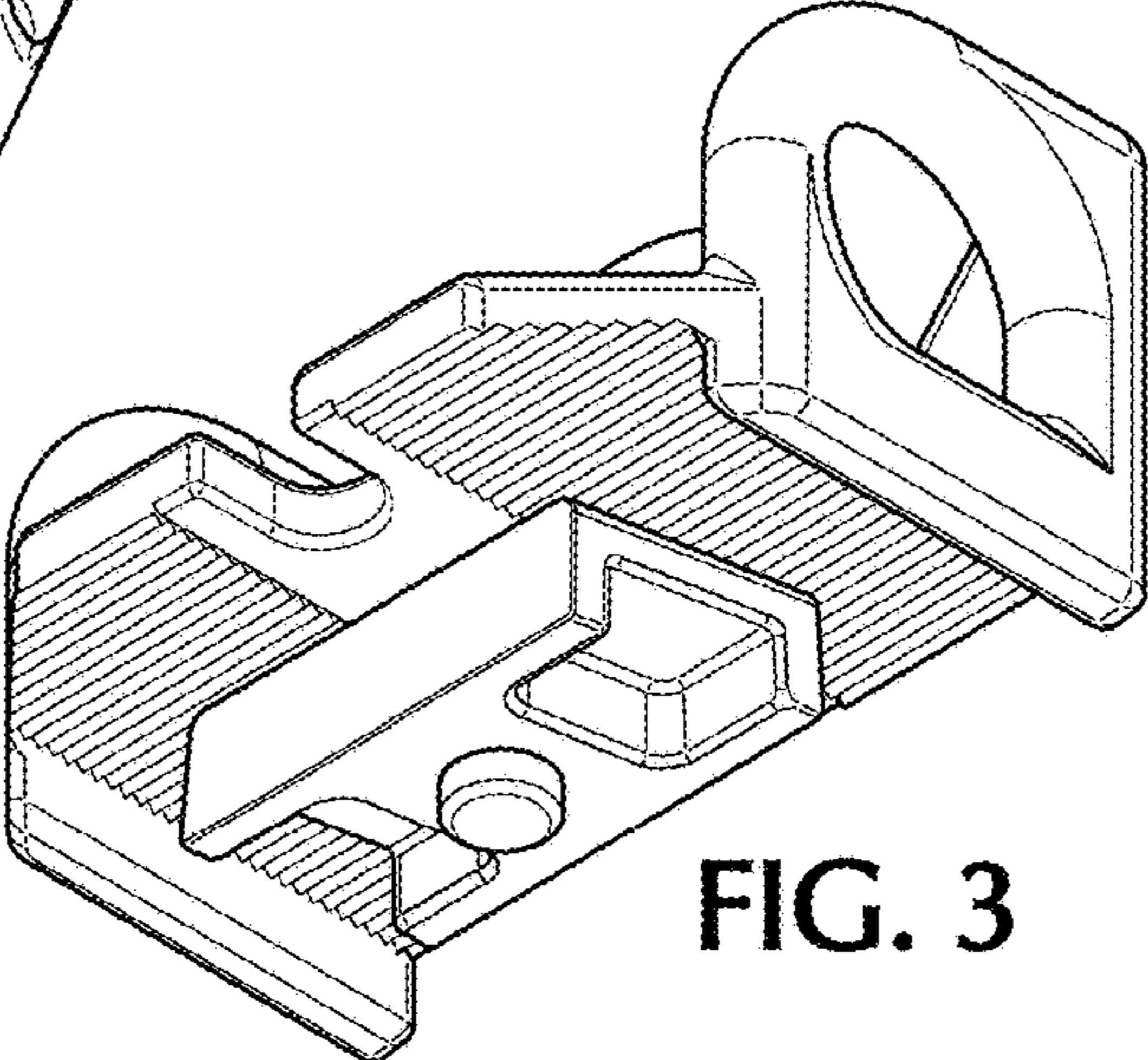


FIG. 3

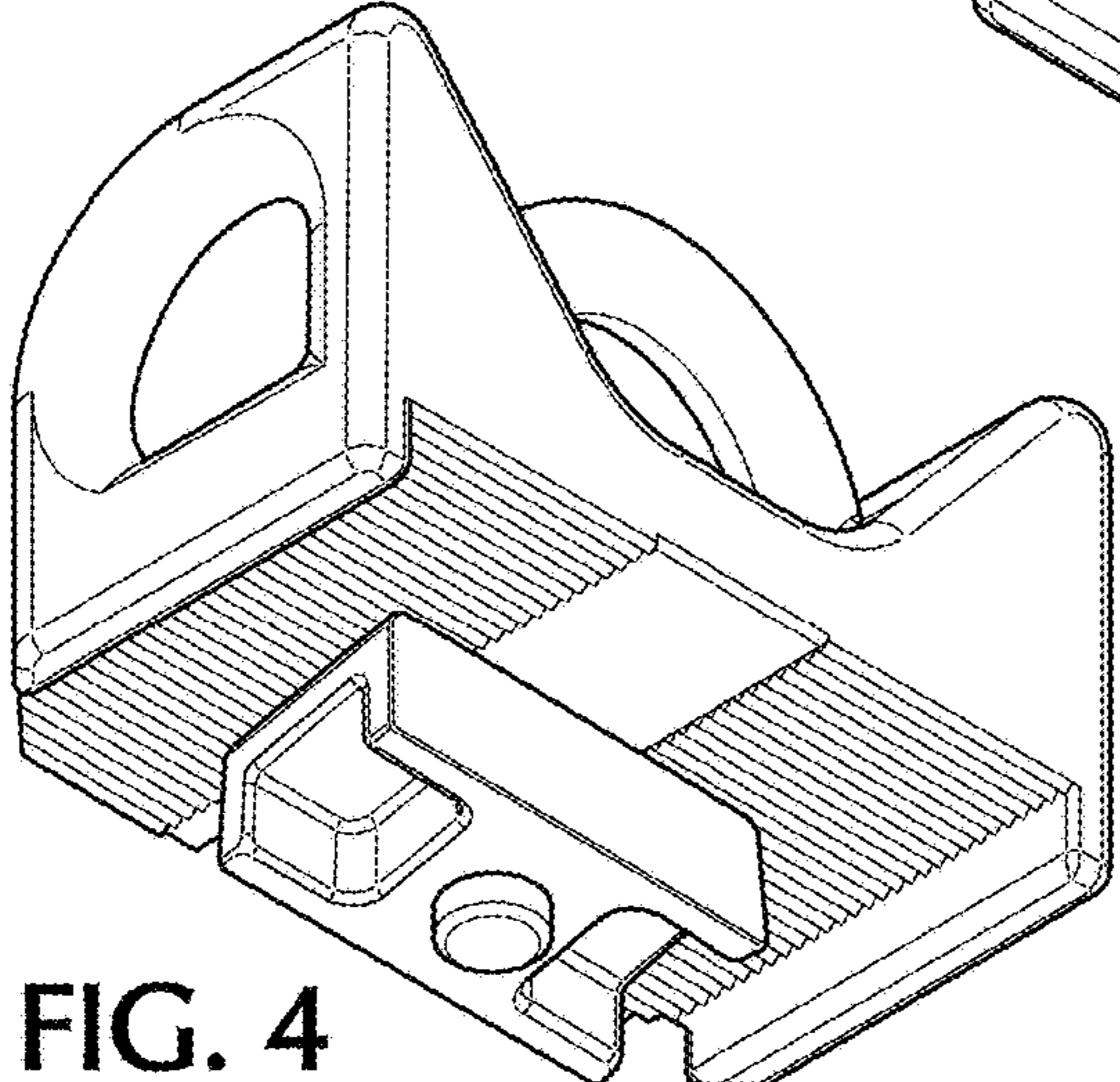


FIG. 4