



US00D814383S

(12) **United States Design Patent**
Mink

(10) **Patent No.:** **US D814,383 S**
(45) **Date of Patent:** **** Apr. 3, 2018**

(54) **IN-VEHICLE SUPPORT**

(71) Applicant: **Randy Mink**, Ashland, NE (US)

(72) Inventor: **Randy Mink**, Ashland, NE (US)

(**) Term: **14 Years**

(21) Appl. No.: **29/479,191**

(22) Filed: **Jan. 13, 2014**

Related U.S. Application Data

(63) Continuation of application No. 12/775,583, filed on May 7, 2010, now abandoned.

(51) **LOC (11) Cl.** **12-06**

(52) **U.S. Cl.**
USPC **D12/223**

(58) **Field of Classification Search**
USPC ... D12/415, 416, 425, 426.1, 400, 114, 223,
D12/106, 20, 42, 317; D8/71, 106, 14,
D8/349, 354, 355, 499
CPC B60R 11/0252; B60R 2011/0012; B60R
2011/0029; B60R 2011/0077; B60R
2011/0066; B60R 2011/0087; B60R
2011/0089; F16M 11/30; F16M 2200/08;
F16M 2200/068; F16M 2200/066; Y10S
248/918

See application file for complete search history.

(56) **References Cited**

U.S. PATENT DOCUMENTS

5,342,137	A *	8/1994	Peng	403/164
5,673,628	A *	10/1997	Boos	108/44
5,782,451	A *	7/1998	Carnahan et al.	248/425
6,076,787	A *	6/2000	Troyer	248/166
6,158,793	A *	12/2000	Castro	296/1.07
6,168,126	B1 *	1/2001	Stafford	248/276.1
6,209,835	B1 *	4/2001	Walrath et al.	248/276.1
6,315,252	B1 *	11/2001	Schultz	248/160
6,338,464	B1 *	1/2002	Jen-Hsiang	248/349.1

6,386,413	B1 *	5/2002	Twyford	224/553
6,412,426	B1 *	7/2002	Holloway, Jr.	108/44
7,233,487	B2 *	6/2007	Stinson	361/679.55
7,243,892	B2 *	7/2007	Pfister	248/371
7,424,994	B2 *	9/2008	Jeong	248/278.1
D617,726	S *	6/2010	Portillo et al.	D12/400
8,205,847	B2 *	6/2012	Dorris et al.	248/317
8,272,604	B2 *	9/2012	Foster	248/124.1
8,424,833	B2 *	4/2013	Muller et al.	248/639
8,668,257	B2 *	3/2014	Wu	297/162
2002/0175254	A1 *	11/2002	Lee	248/289.11
2007/0034753	A1 *	2/2007	Lee	248/121
2007/0145219	A1 *	6/2007	Lin	248/274.1
2007/0153459	A1 *	7/2007	Wohlford et al.	361/681
2007/0164176	A1 *	7/2007	Liao	248/176.3

(Continued)

FOREIGN PATENT DOCUMENTS

JP	3442005	B2 *	9/2003	F16M 2200/08
JP	3133207	U *	7/2007	F16M 2200/068

Primary Examiner — Sandra S Snapp

Assistant Examiner — Ieisha N Price

(74) *Attorney, Agent, or Firm* — Suiter Swantz pc llo

(57) **CLAIM**

The ornamental design for an in-vehicle support, as shown and described.

DESCRIPTION

FIG. 1 is a perspective view of an in-vehicle support in relation to a vehicle gear-shift.

FIG. 2 is a top view of an in-vehicle support.

FIG. 3 is a front view of an in-vehicle support.

FIG. 4 is a right-side view of an in-vehicle support.

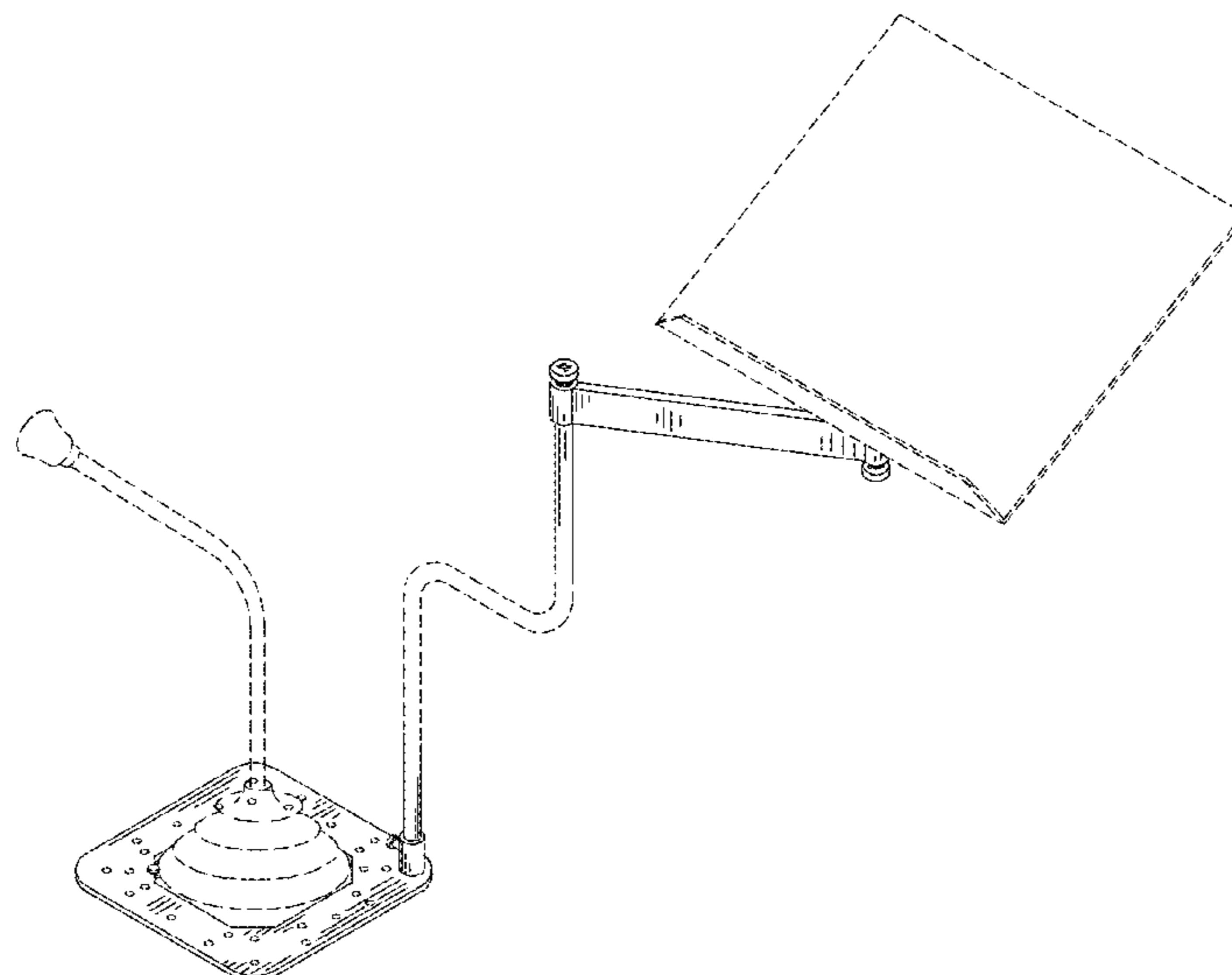
FIG. 5 is a rear view of an in-vehicle support.

FIG. 6 is a left-side view of an in-vehicle support; and,

FIG. 7 is a bottom view of an in-vehicle support.

The broken lines in the drawings illustrate portions of the in-vehicle support and form no part of the claimed design.

1 Claim, 7 Drawing Sheets



(56)

References Cited

U.S. PATENT DOCUMENTS

2009/0266964 A1* 10/2009 Hung 248/323
2014/0011156 A1* 1/2014 Jarva 433/29
2014/0011157 A1* 1/2014 Jarva 433/29

* cited by examiner

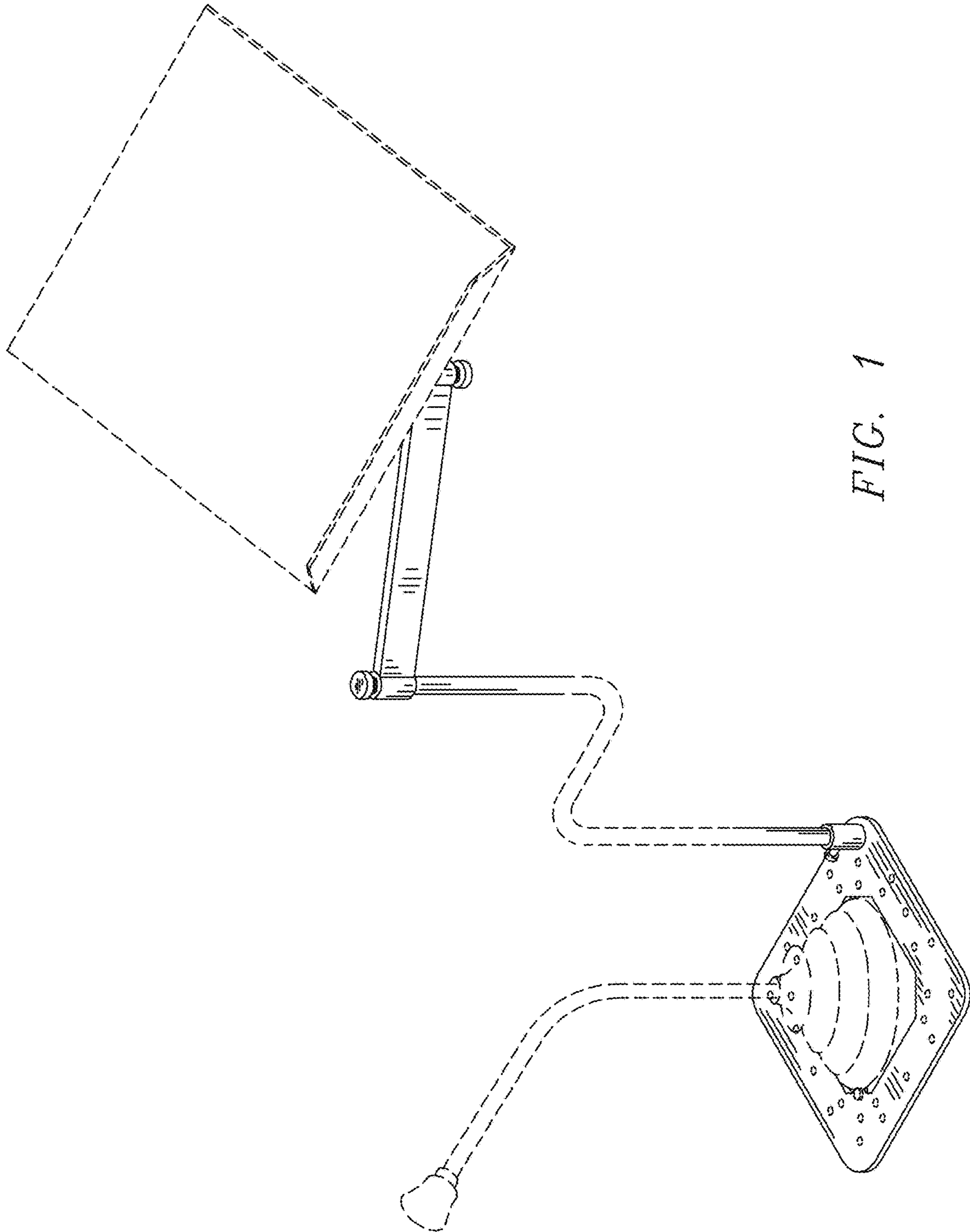


FIG. 1

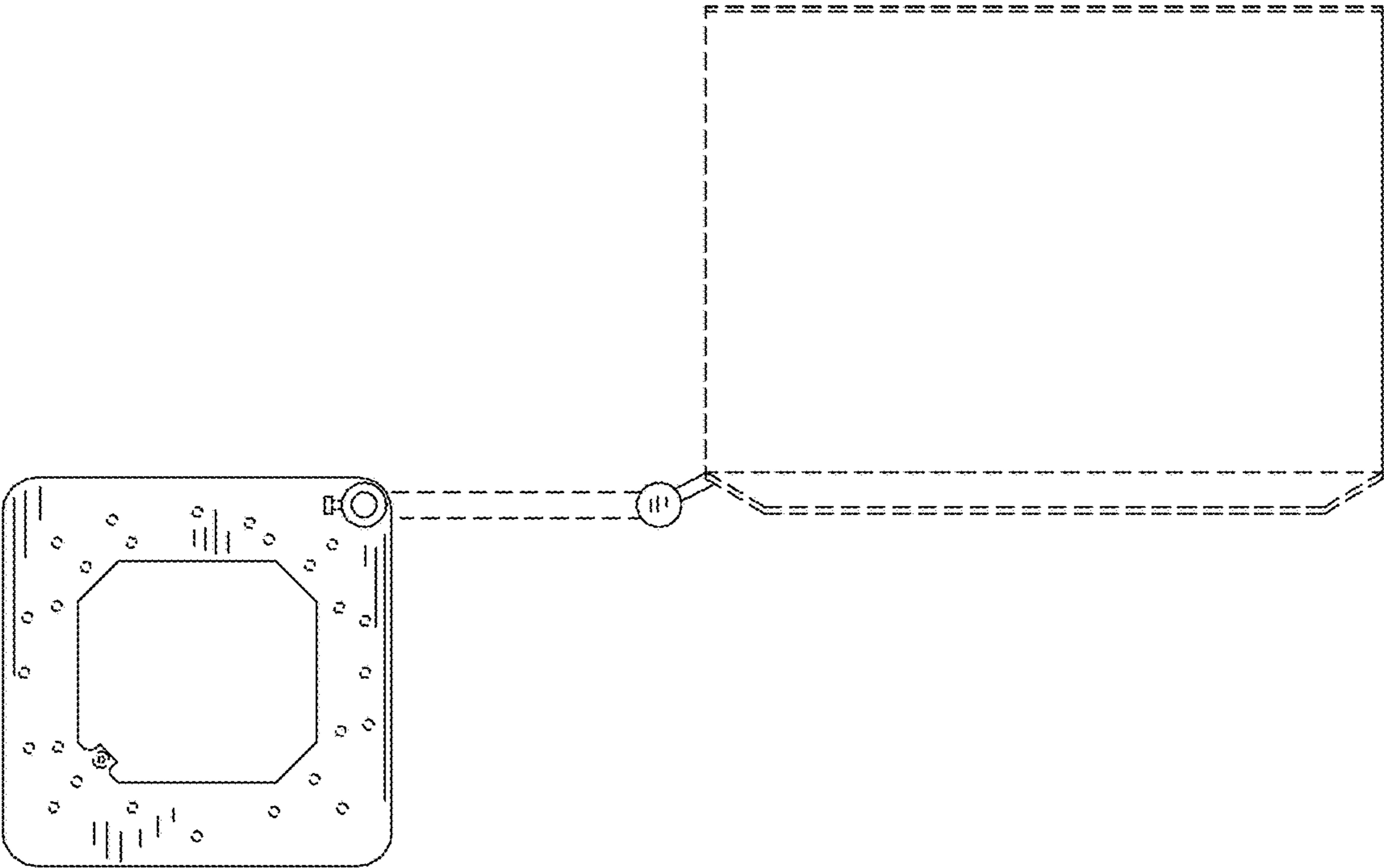


FIG. 2

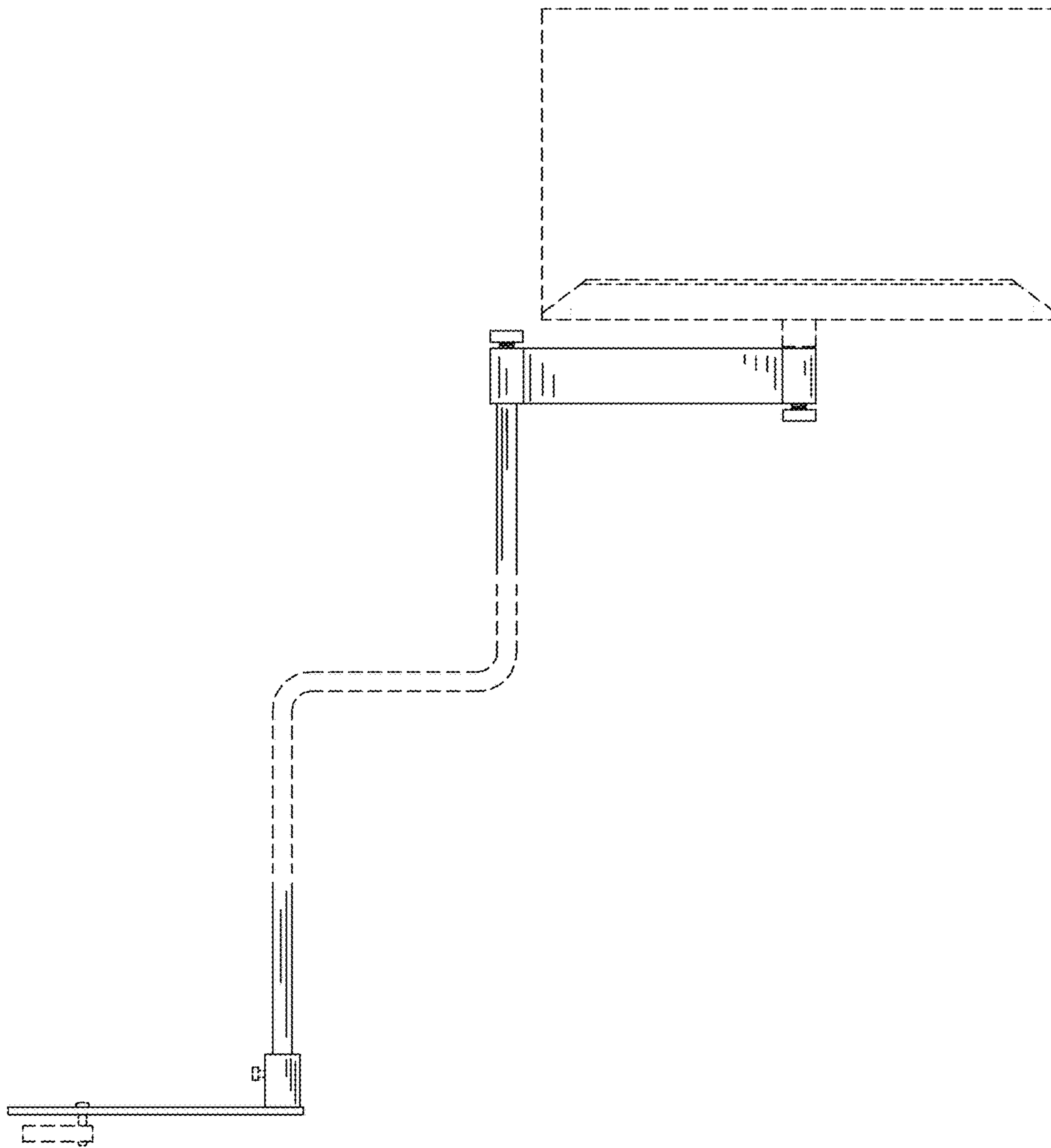


FIG. 3

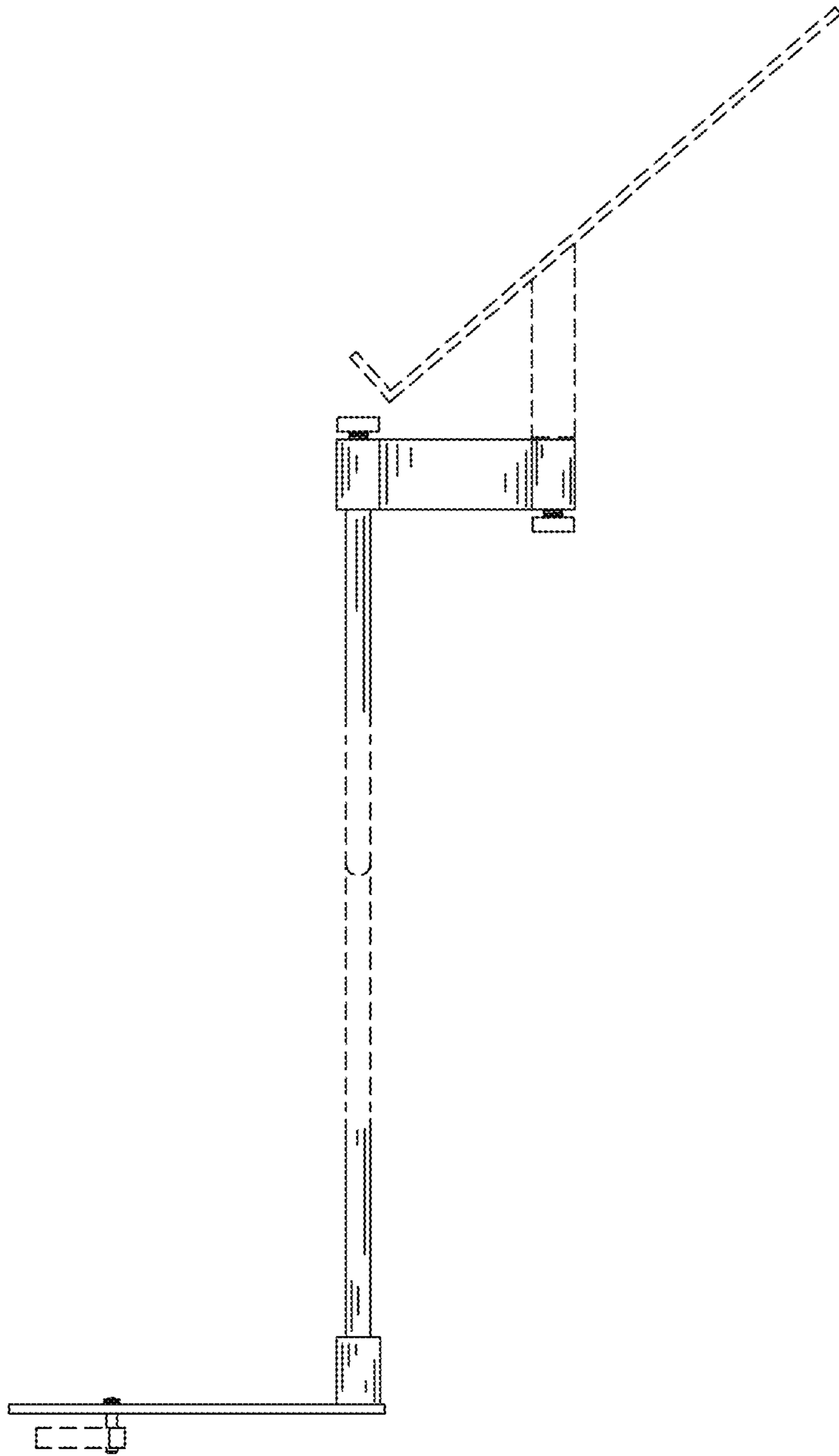


FIG. 4

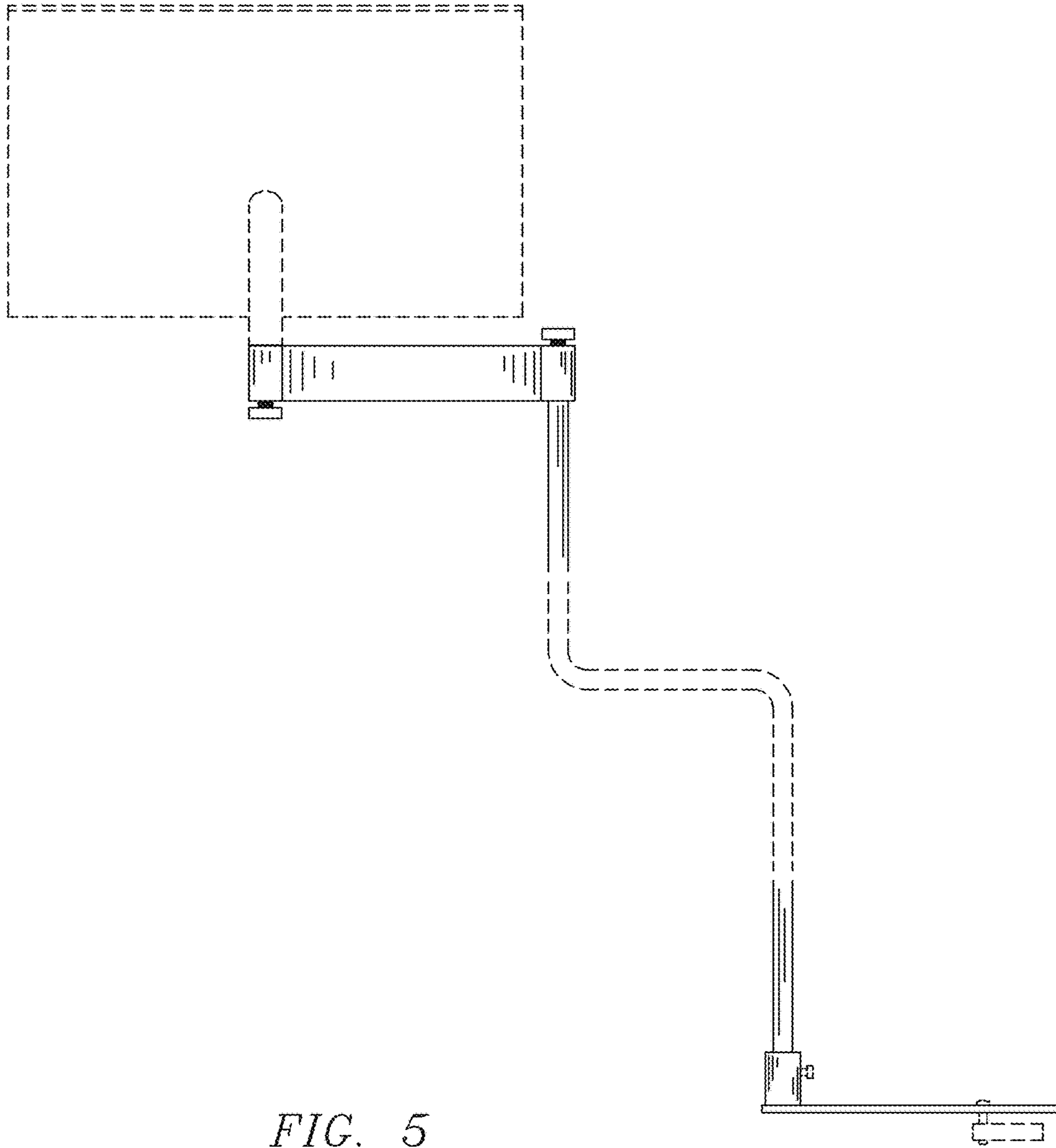


FIG. 5

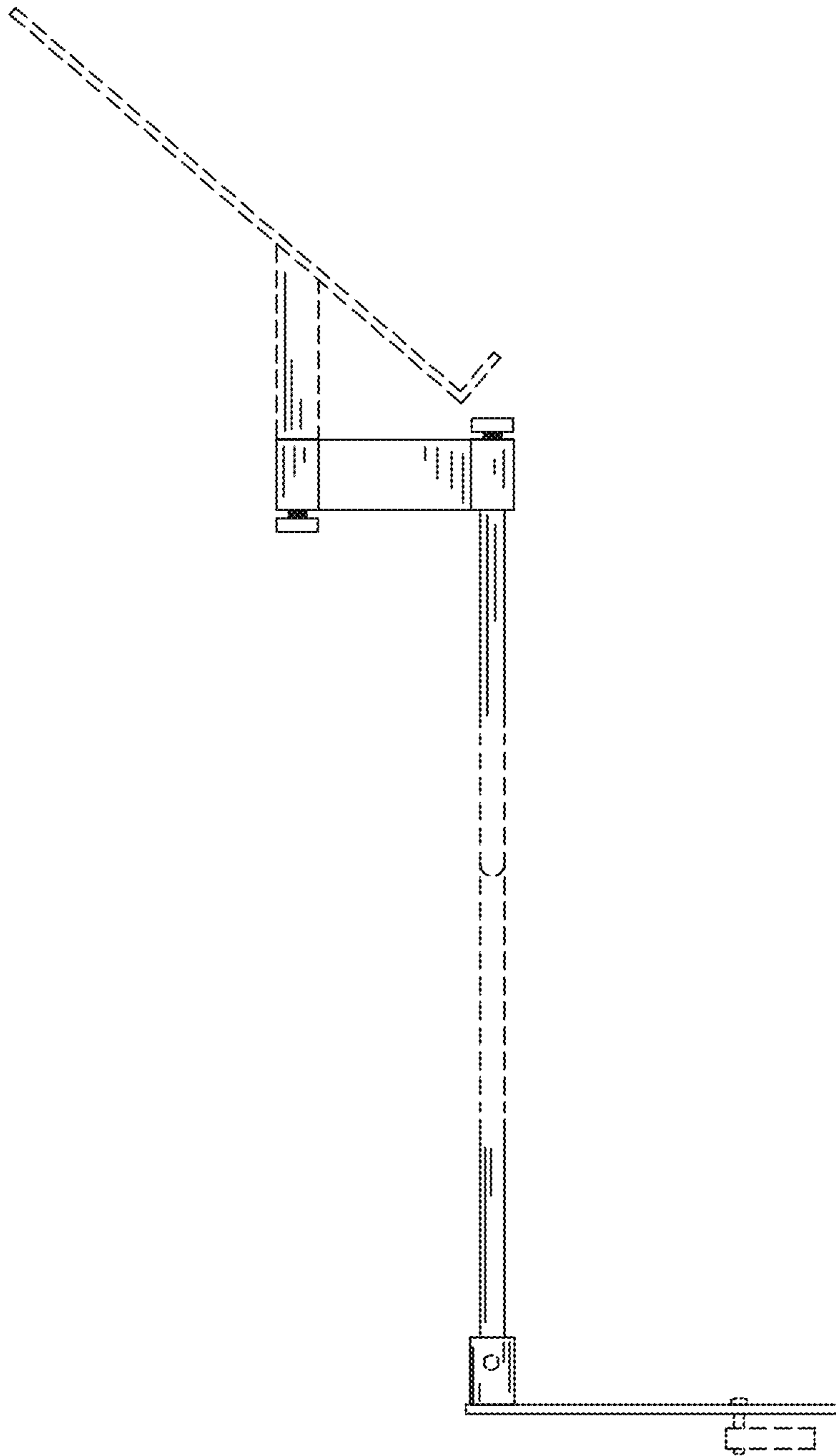


FIG. 6

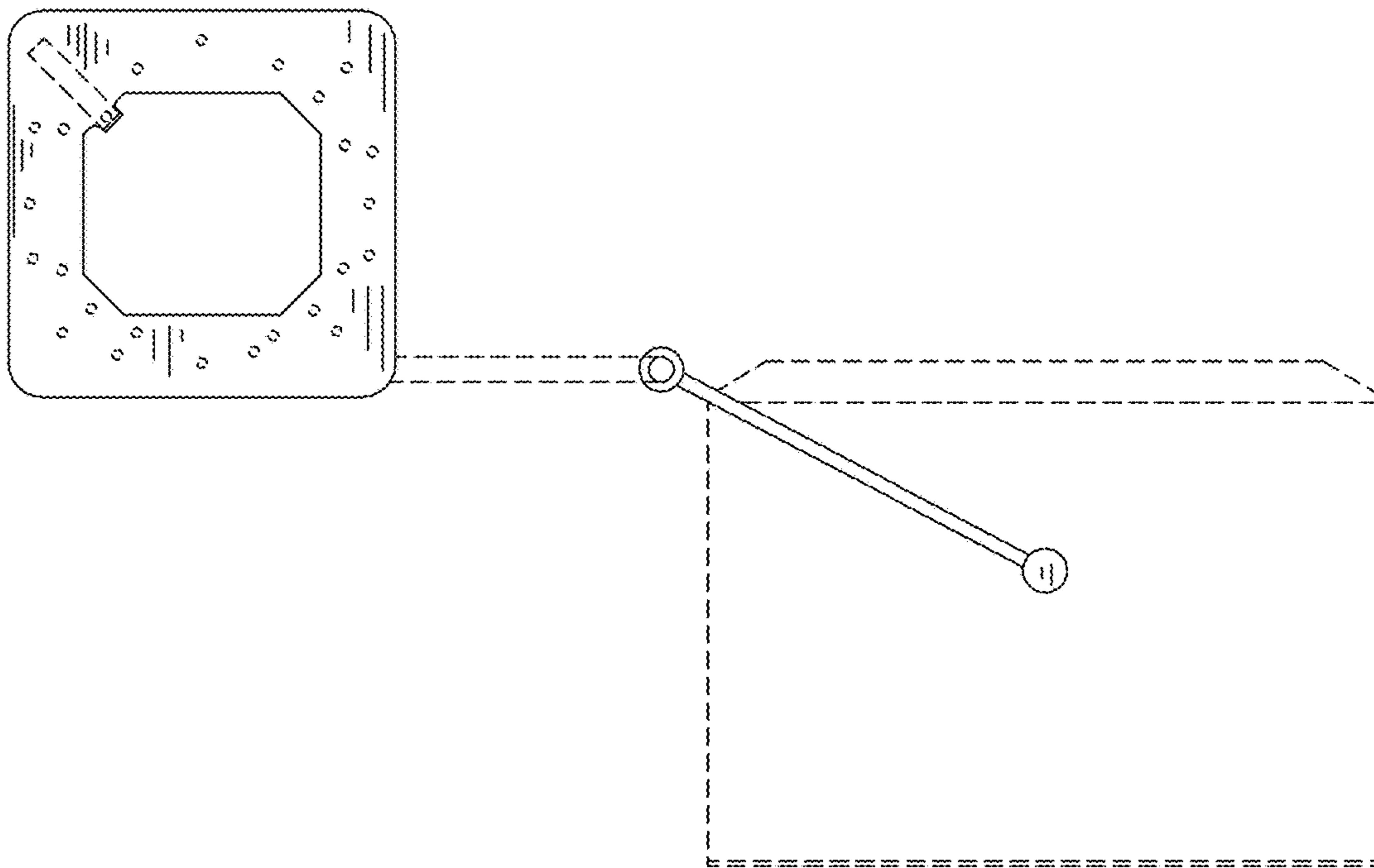


FIG. 7