



US00D814380S

(12) **United States Design Patent** (10) **Patent No.:** **US D814,380 S**
O'Neill et al. (45) **Date of Patent:** **** Apr. 3, 2018**

(54) **WHEEL**

(71) Applicant: **Jaguar Land Rover Limited**, Whitley, Coventry (GB)

(72) Inventors: **Michael O'Neill**, Coventry (GB); **Alex Chan**, Coventry (GB); **Paven Patel**, Coventry (GB)

(73) Assignee: **Jaguar Land Rover Limited**, Whitley, Coventry (GB)

(**) Term: **15 Years**

(21) Appl. No.: **29/592,174**

(22) Filed: **Jan. 27, 2017**

Related U.S. Application Data

(62) Division of application No. 29/532,693, filed on Jul. 9, 2015, now Pat. No. Des. 781,205.

Foreign Application Priority Data

Jul. 1, 2015 (EM) 002729764

(51) **LOC (11) Cl.** **12-16**

(52) **U.S. Cl.**
USPC **D12/209**

Field of Classification Search

USPC D12/204–213
CPC B60B 7/00; B60B 7/02; B60B 7/04; B60B 7/01; B60B 7/06; B60B 3/02; B60B 3/04; B60B 3/06; B60B 3/10; B60B 1/00; B60B 1/08; B60B 1/10; B60B 1/12

See application file for complete search history.

(56) **References Cited**

U.S. PATENT DOCUMENTS

D411,502 S *	6/1999	Chung	D12/211
D418,797 S *	1/2000	Chung	D12/209
D444,119 S *	6/2001	Brintouch	D12/211
D469,729 S *	2/2003	Brintouch	D12/209
D475,669 S *	6/2003	Boyer	D12/209
D504,647 S *	5/2005	Leclercq	D12/209
D507,224 S *	7/2005	Pfeiffer	D12/211
D520,434 S *	5/2006	Fahr-Becker	D12/211
D522,430 S *	6/2006	Nordmann	D12/209
D618,149 S *	6/2010	Antoniadis	D12/209
D621,766 S *	8/2010	Antoniadis	D12/209
D657,727 S *	4/2012	Fetherston	D12/209
D667,767 S *	9/2012	Gotschke	D12/209
D690,642 S *	10/2013	Kito	D12/209
D705,152 S *	5/2014	Nakamura	D12/209
D739,327 S *	9/2015	Wagener	D12/209
D790,420 S *	6/2017	Peat	D12/209

* cited by examiner

Primary Examiner — Stacia Cadmus

(74) *Attorney, Agent, or Firm* — Wood Herron & Evans LLP

CLAIM

The ornamental design for a wheel, as shown and described.

DESCRIPTION

FIG. 1 is a front left perspective view of a wheel according to the present invention.

FIG. 2 is a front view thereof.

FIG. 3 is a left side view thereof, the right side view being a mirror image thereof.

FIG. 4 is a rear view thereof; and,

FIG. 5 is a rear right perspective view thereof.

1 Claim, 3 Drawing Sheets

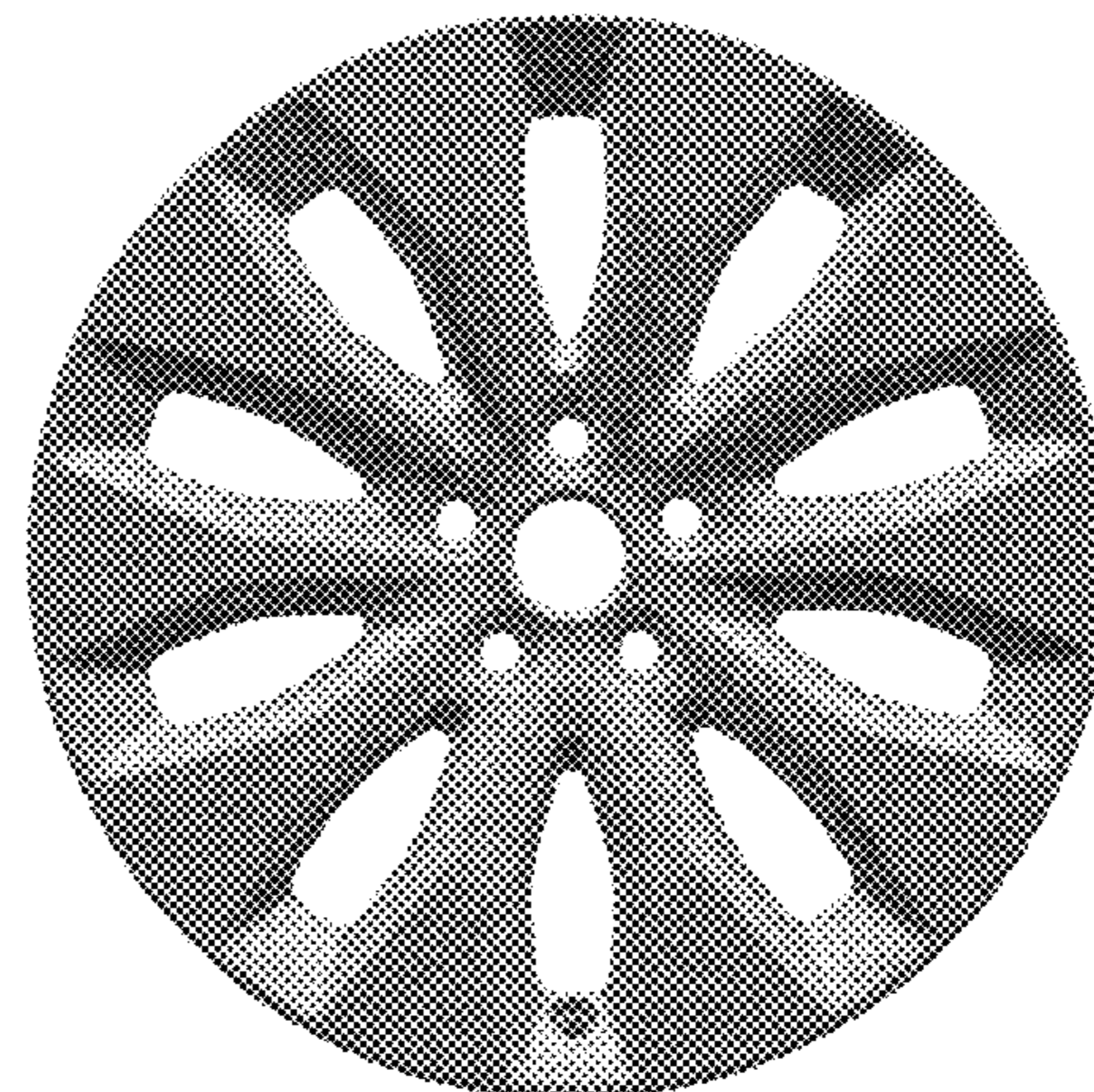




FIG. 1

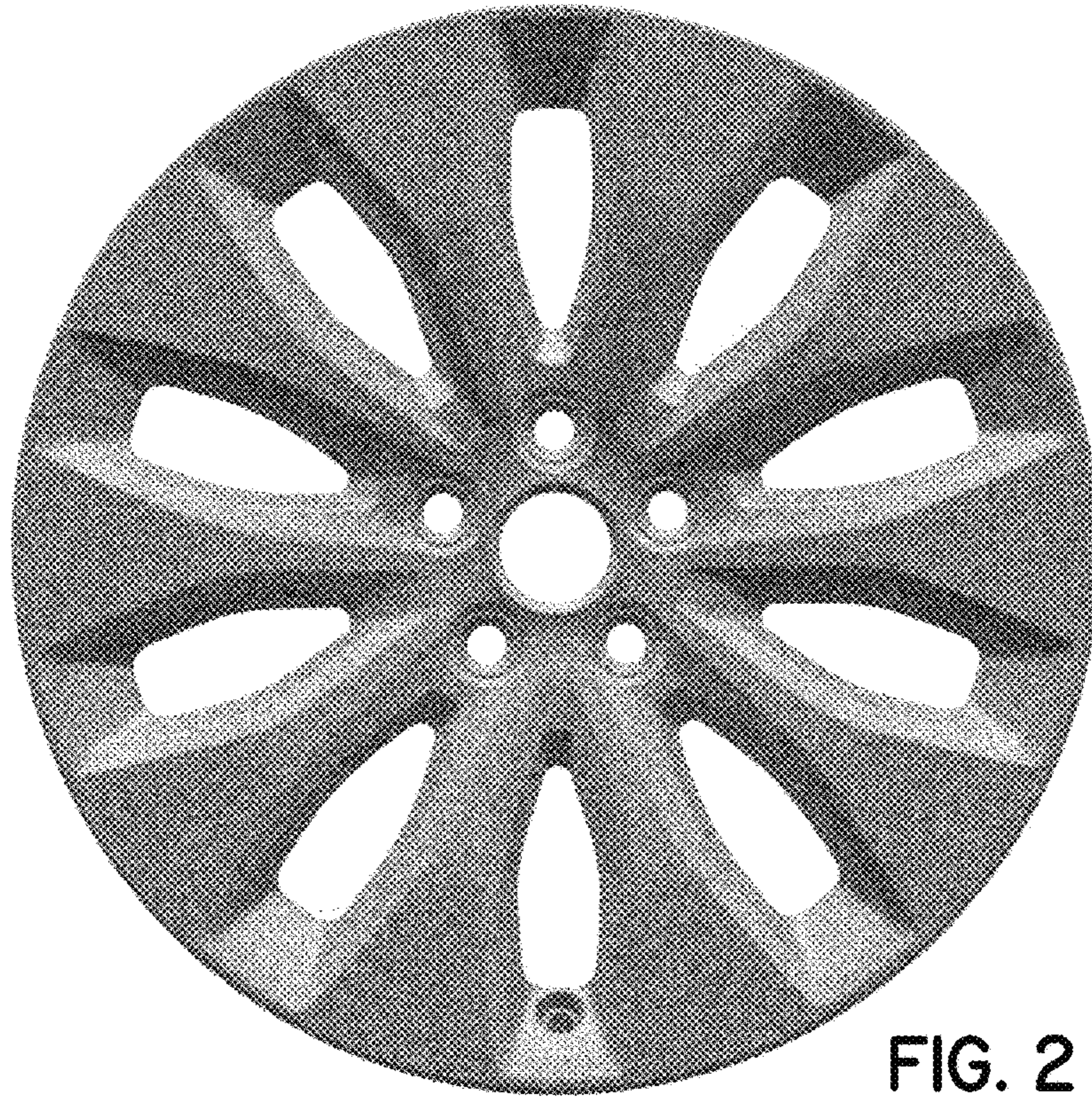


FIG. 2

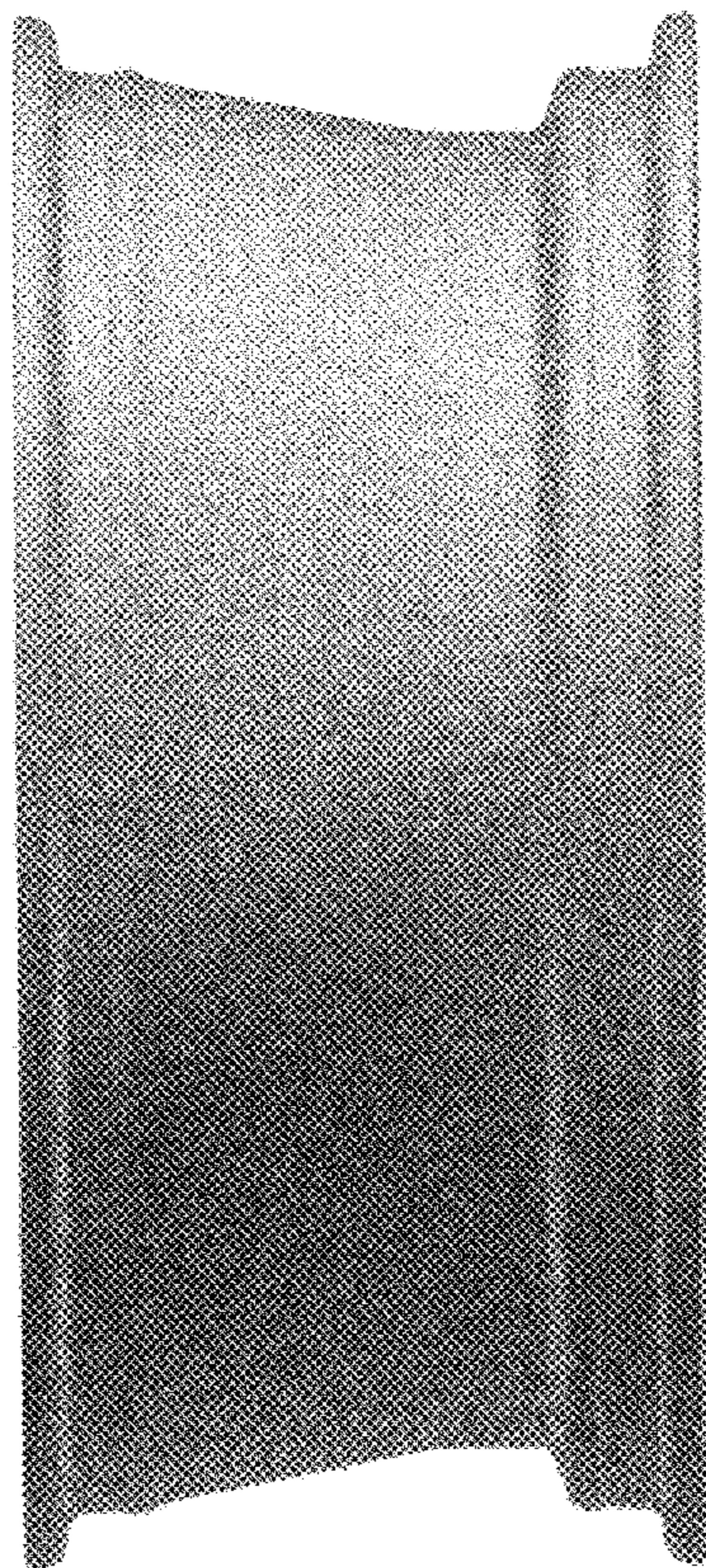


FIG. 3

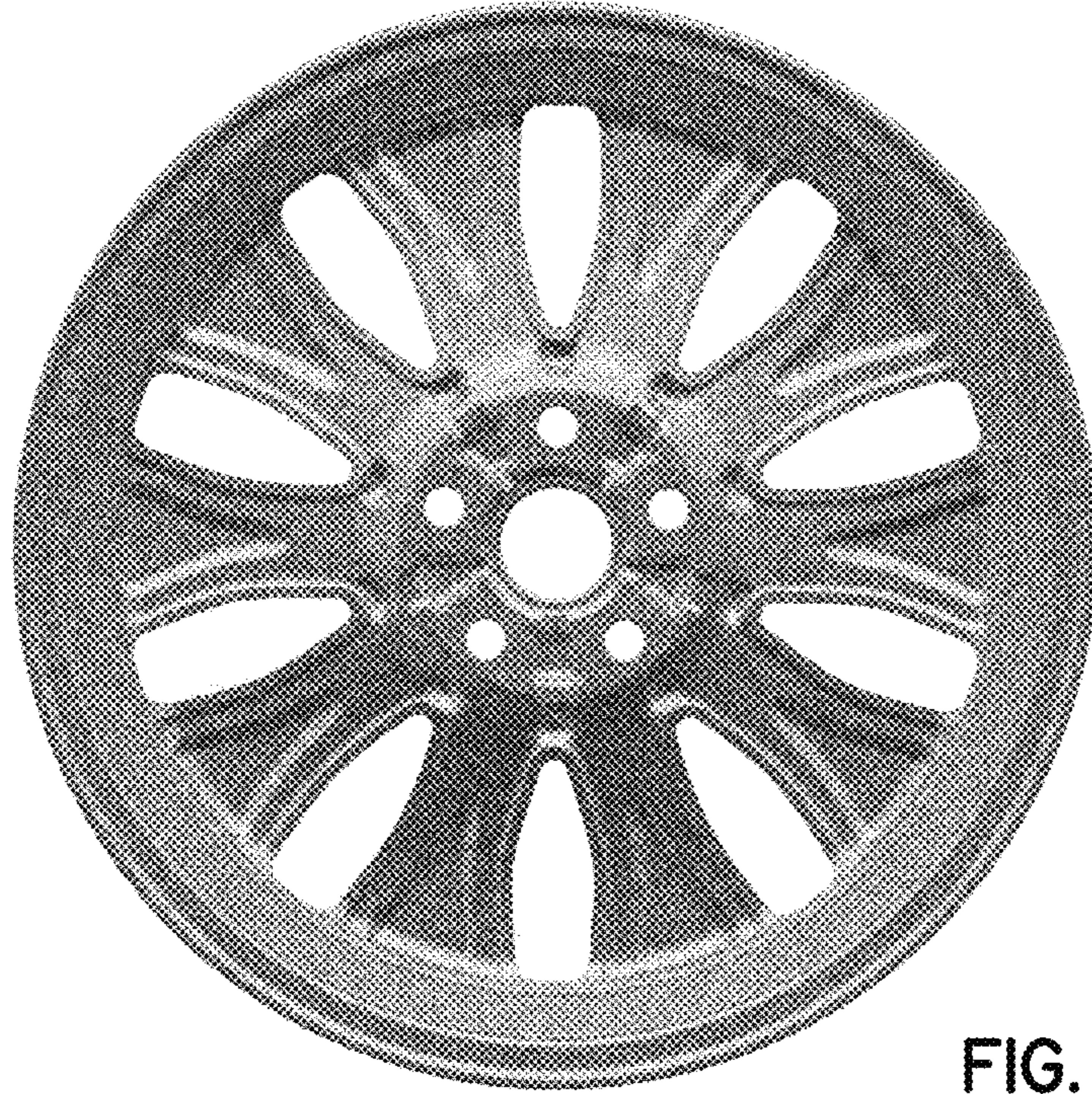


FIG. 4

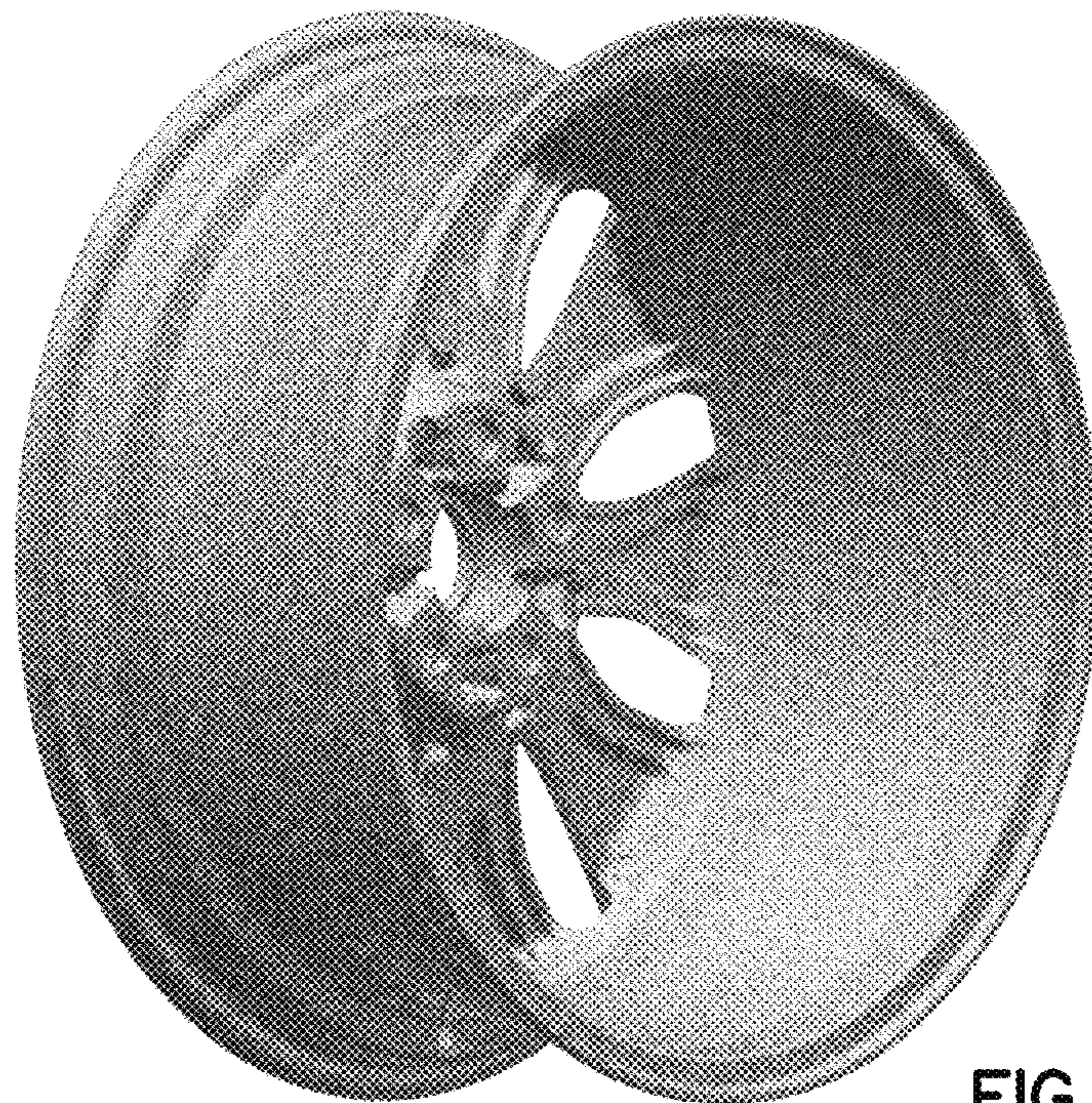


FIG. 5