



US00D814376S

(12) **United States Design Patent** (10) **Patent No.:** **US D814,376 S**  
**Anderson et al.** (45) **Date of Patent:** **\*\* Apr. 3, 2018**

(54) **BODY PART FOR VEHICLE**  
(71) Applicant: **Volvo Lastvagnar AB**, Göteborg (SE)  
(72) Inventors: **Ian Anderson**, Greensboro, NC (US);  
**Jeff Cotner**, Greensboro, NC (US)  
(73) Assignee: **VOLVO LASTVAGNAR AB**,  
Göteborg (SE)  
(\*\*) Term: **15 Years**  
(21) Appl. No.: **29/600,075**  
(22) Filed: **Apr. 10, 2017**  
(51) **LOC (11) Cl.** ..... **12-16**  
(52) **U.S. Cl.**  
USPC ..... **D12/196**  
(58) **Field of Classification Search**  
USPC ..... D12/88, 90, 91, 92, 93, 94, 95, 96, 97,  
D12/181, 184, 190, 191, 196, 400;  
296/180.1, 180.5, 190.2, 217, 225;  
280/727, 762, 770, 848  
CPC ..... B62D 35/001; B62D 25/00; B62D 33/06;  
B62D 33/0612; B52D 25/02  
See application file for complete search history.

D686,123 S \* 7/2013 Peltola ..... D12/181  
D687,359 S \* 8/2013 Peltola ..... D12/181  
D707,608 S \* 6/2014 Smith ..... D12/181  
D710,773 S \* 8/2014 Ito ..... D12/181  
D711,786 S \* 8/2014 Brzustowicz ..... D12/96  
D711,787 S \* 8/2014 Brzustowicz ..... D12/96  
9,085,330 B2 \* 7/2015 Fritts ..... B62D 35/001  
D784,870 S \* 4/2017 Ito ..... D12/173  
D787,993 S \* 5/2017 McCabe ..... D12/173  
D799,380 S \* 10/2017 Cosme ..... D12/96  
2014/0265433 A1 \* 9/2014 Fritts ..... B62D 35/001  
296/180.2

**OTHER PUBLICATIONS**

Images of Volvo VNL Truck, released 2002, 2 pages.

\* cited by examiner

*Primary Examiner* — Ian Simmons  
*Assistant Examiner* — Yolanda Robinson  
(74) *Attorney, Agent, or Firm* — Tucker Ellis LLP

(57) **CLAIM**

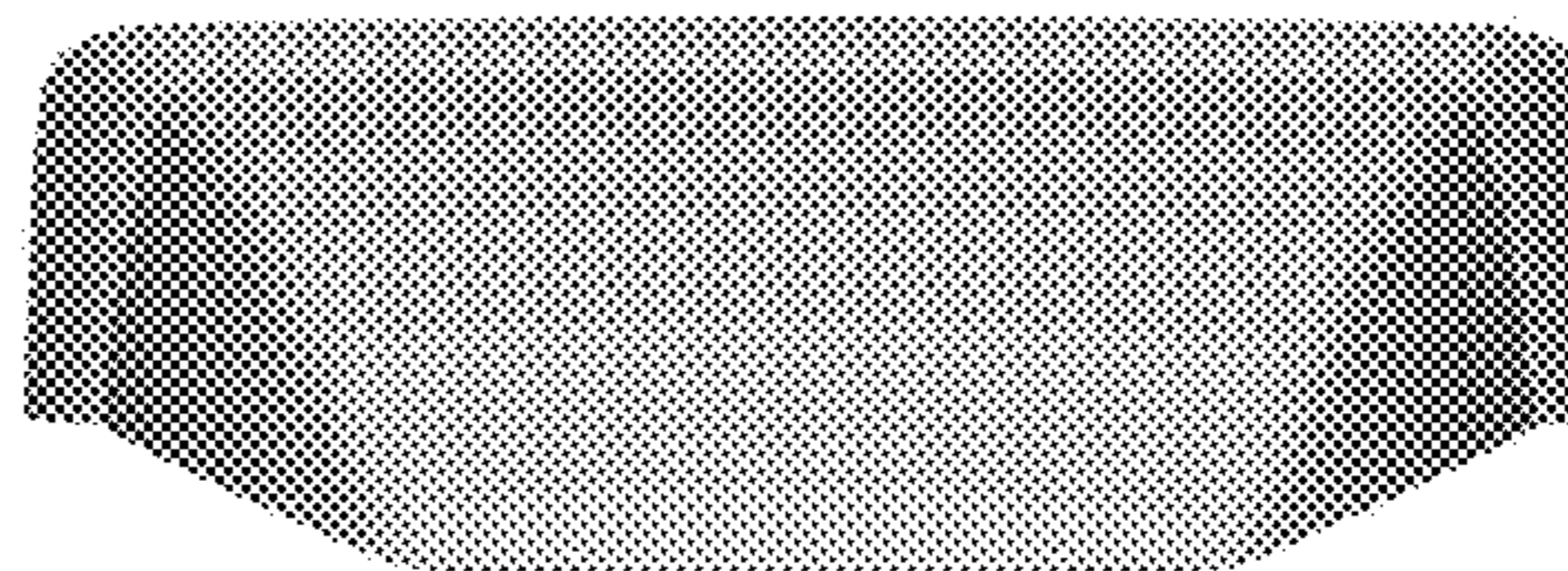
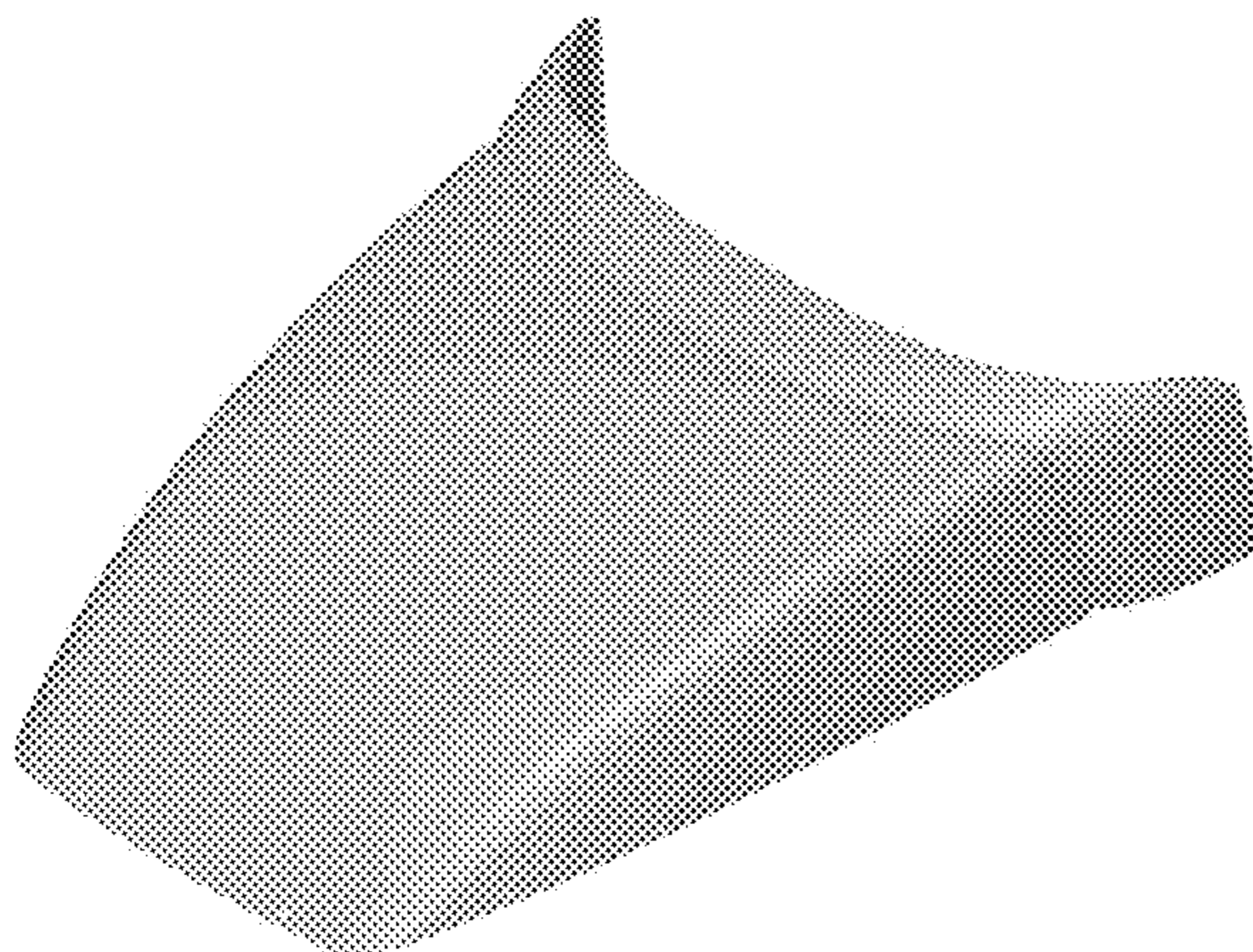
The ornamental design for a body part for vehicle, as shown and described.

**DESCRIPTION**

FIG. 1 is a perspective view of a body part for vehicle showing our new design.  
FIG. 2 is a front view thereof.  
FIG. 3 is a left side view thereof.  
FIG. 4 is a right side view thereof; and,  
FIG. 5 is a top view thereof.

**1 Claim, 3 Drawing Sheets**

(56) **References Cited**  
U.S. PATENT DOCUMENTS  
D384,317 S \* 9/1997 Jahnke ..... D12/181  
D400,158 S \* 10/1998 Meryman ..... D12/401  
D475,657 S \* 6/2003 Wong ..... D12/401  
D633,015 S \* 2/2011 Peltola ..... D12/181





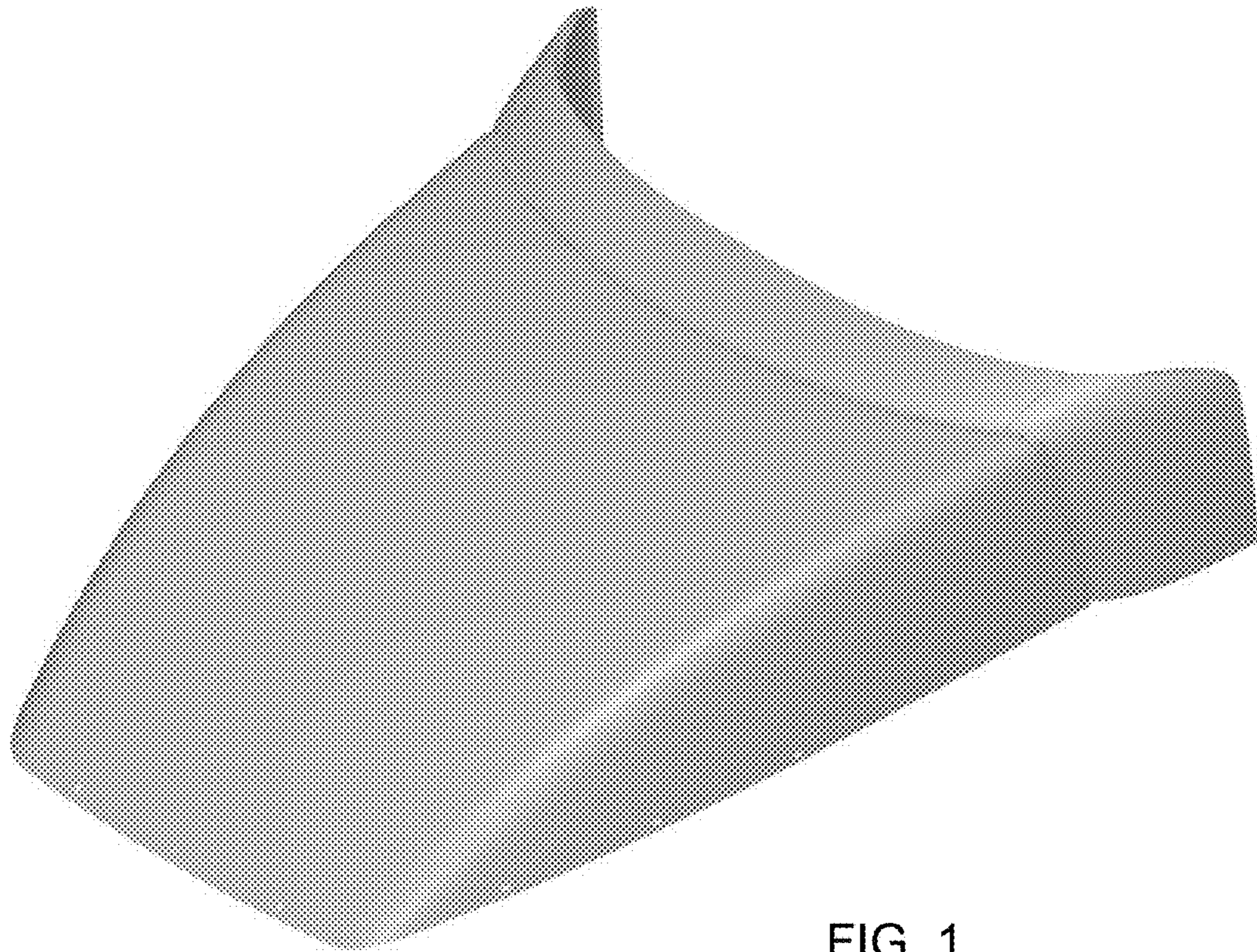


FIG. 1

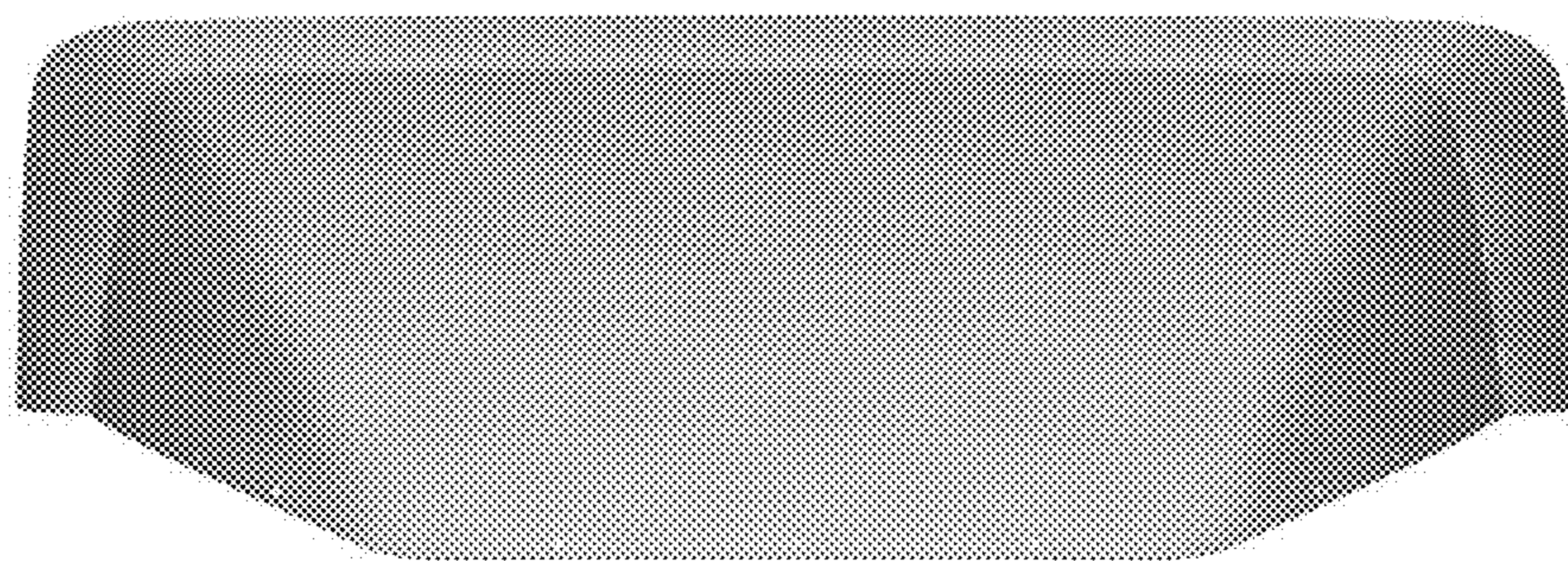


FIG. 2

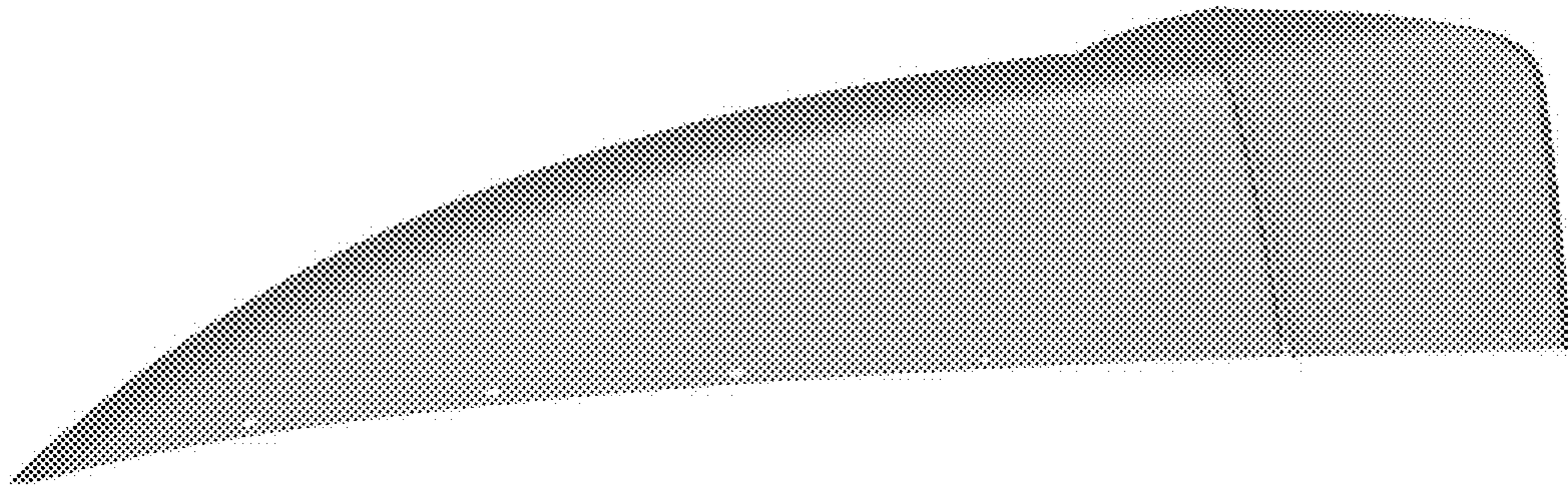


FIG. 3

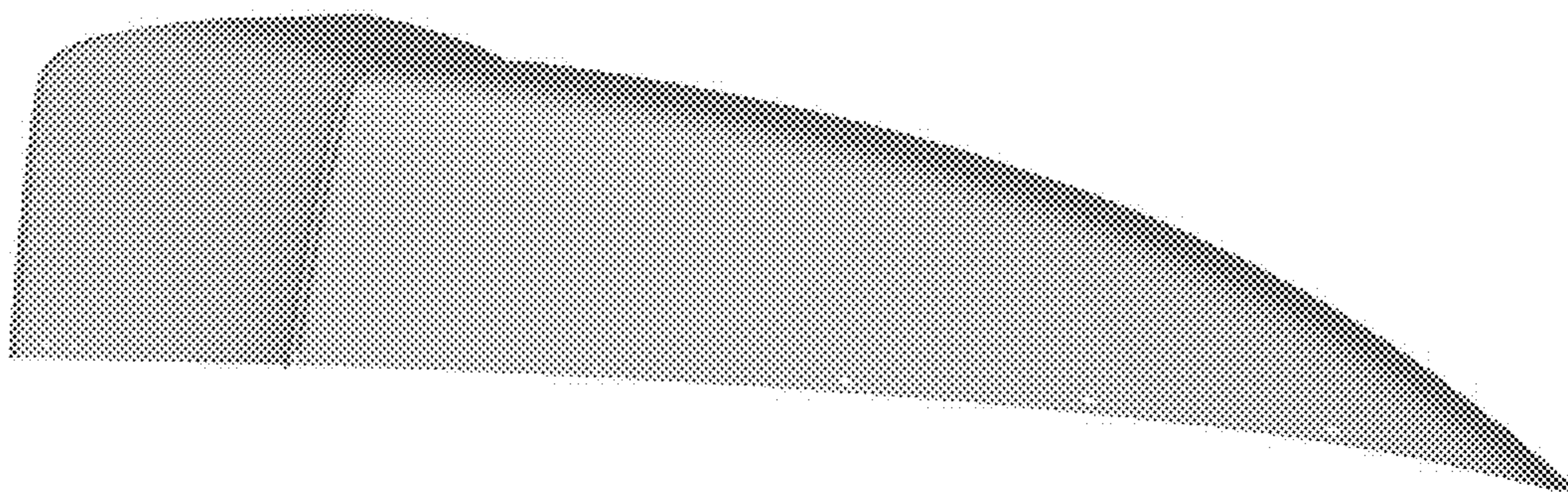


FIG. 4





FIG. 5