



US00D814375S

(12) **United States Design Patent** (10) **Patent No.:** **US D814,375 S**
Anderson et al. (45) **Date of Patent:** **** Apr. 3, 2018**

(54) **BODY PART FOR VEHICLE**
(71) Applicant: **Volvo Lastvagnar AB**, Göteborg (SE)
(72) Inventors: **Ian Anderson**, Greensboro, NC (US);
Jeff Cotner, Greensboro, NC (US)
(73) Assignee: **VOLVO LASTVAGNAR AB**,
Göteborg (SE)
(**) Term: **15 Years**
(21) Appl. No.: **29/600,069**
(22) Filed: **Apr. 10, 2017**
(51) **LOC (11) Cl.** **12-16**
(52) **U.S. Cl.**
USPC **D12/196**
(58) **Field of Classification Search**
USPC D12/86, 88, 90, 91, 93, 173, 181, 196,
D12/96, 97, 400; 296/191, 180.1, 180.3;
280/727, 770; 180/89.12
CPC B62D 25/00; B62D 25/02; B62D 35/00;
B62D 35/001; B62D 33/06; B62D
33/0612
See application file for complete search history.

(56) **References Cited**
U.S. PATENT DOCUMENTS
4,836,568 A * 6/1989 Preslik B60R 3/00
224/401
D312,810 S * 12/1990 Preslik D12/203
D381,949 S * 8/1997 Barrett, Jr. D12/203
D395,848 S * 7/1998 Meryman D12/97
D433,365 S * 11/2000 Beigel D12/196
D433,967 S * 11/2000 Delashaw D12/96
D434,348 S * 11/2000 Delashaw D12/96
D460,023 S * 7/2002 Beigel D12/96
D522,944 S * 6/2006 Beigel D12/196
D522,945 S * 6/2006 Beigel D12/196

D531,948 S * 11/2006 Angelo D12/196
D579,843 S * 11/2008 Beigel D12/196
D652,774 S * 1/2012 Aris D12/184
D660,756 S * 5/2012 Peltola D12/196
D708,107 S * 7/2014 Jensen D12/196
D711,786 S * 8/2014 Brzustowicz D12/96
D711,788 S * 8/2014 Brzustowicz D12/96
D714,199 S * 9/2014 Ito D12/196
D716,211 S * 10/2014 Jensen D12/196
D719,879 S * 12/2014 Ito D12/96
9,139,241 B1 * 9/2015 Smith B62D 35/008
D741,768 S * 10/2015 Brzustowicz D12/196
D758,253 S * 6/2016 Brzustowicz D12/96
D764,992 S * 8/2016 Vena D12/181
D805,983 S * 12/2017 Ito D12/196
2009/0033058 A1 * 2/2009 VanderGriend B60H 1/00271
280/164.1

OTHER PUBLICATIONS

Images of Volvo VNL Truck, released 2002, 2 pages.

* cited by examiner

Primary Examiner — Ian Simmons
Assistant Examiner — Yolanda Robinson
(74) *Attorney, Agent, or Firm* — Tucker Ellis LLP

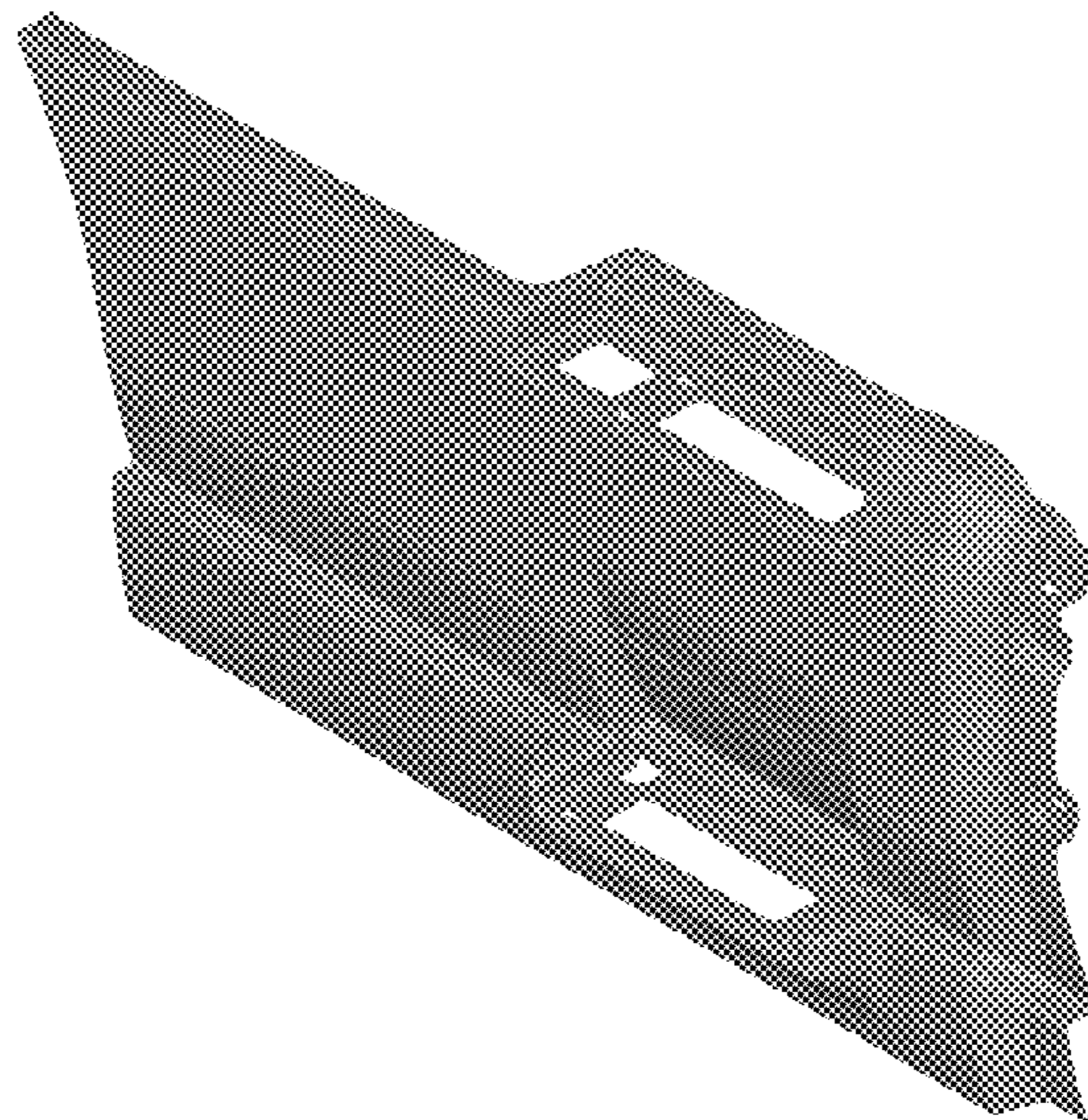
(57) **CLAIM**

The ornamental design for a body part for vehicle, as shown and described.

DESCRIPTION

FIG. 1 is a perspective view of a body part for vehicle showing our new design.
FIG. 2 is a front view thereof.
FIG. 3 is a right side view thereof.
FIG. 4 is a left side view thereof.
FIG. 5 is a top view thereof; and,
FIG. 6 is a bottom view thereof.

1 Claim, 3 Drawing Sheets



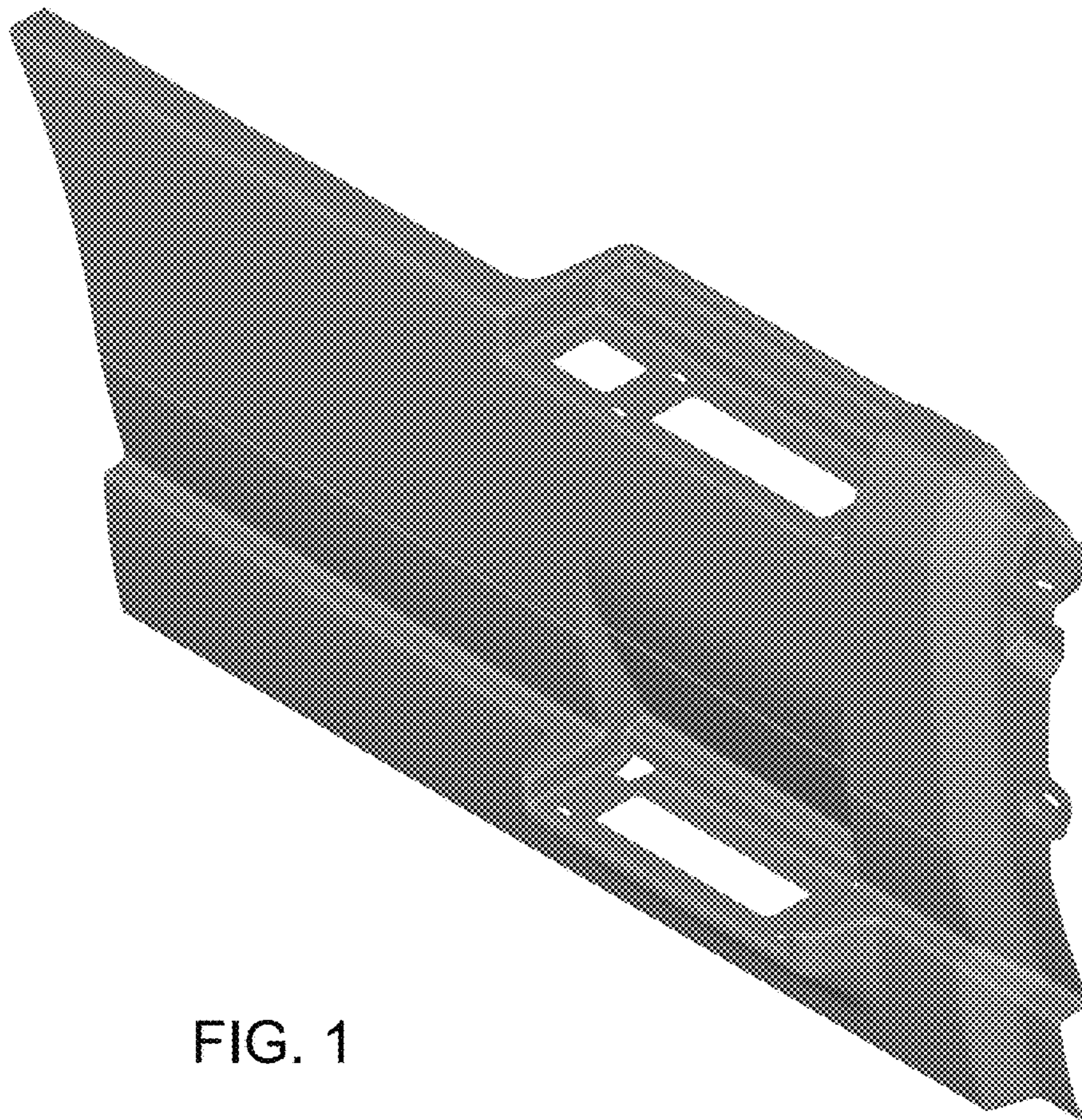


FIG. 1

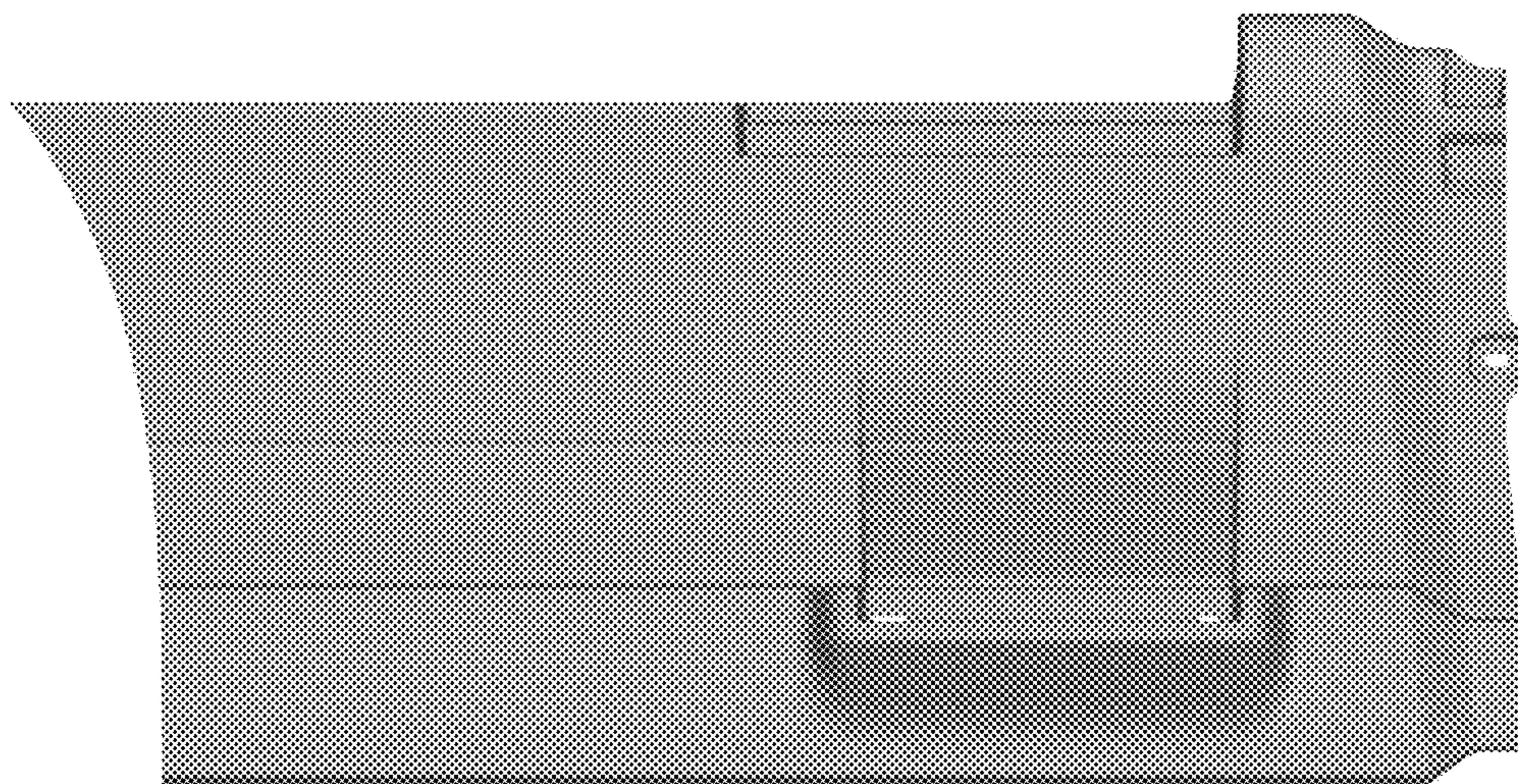


FIG. 2

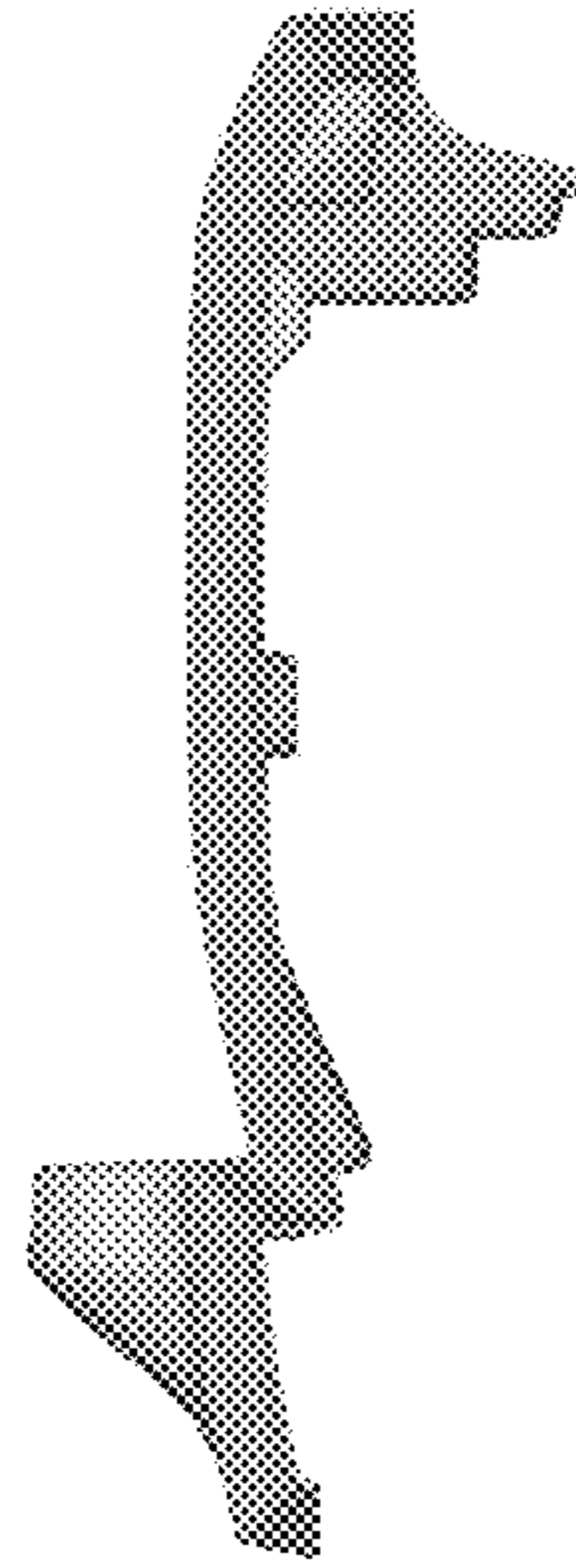


FIG. 3

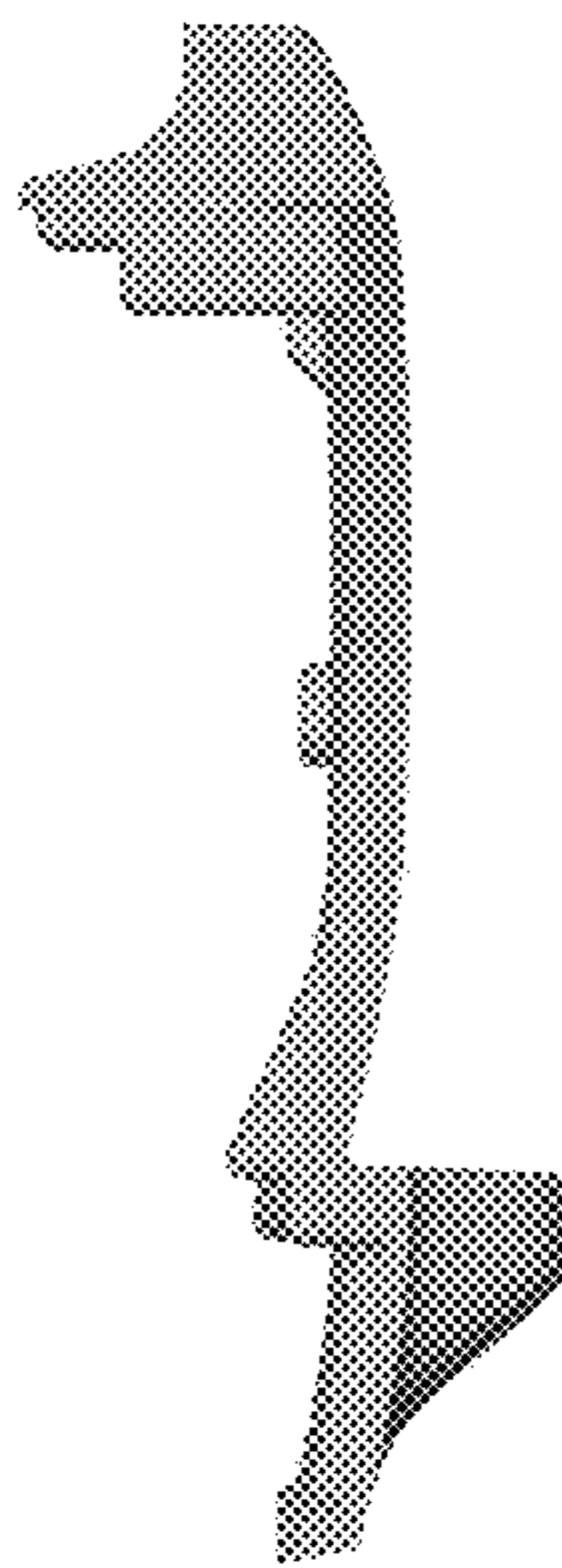


FIG. 4

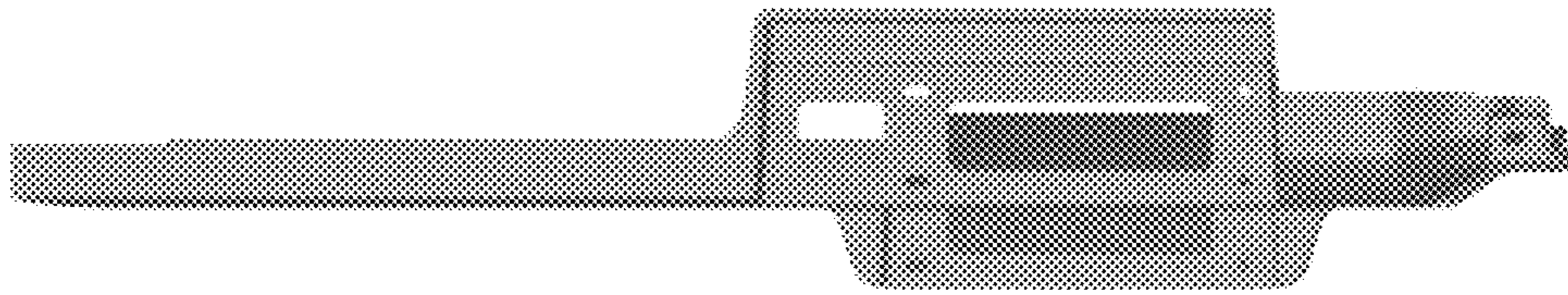


FIG. 5

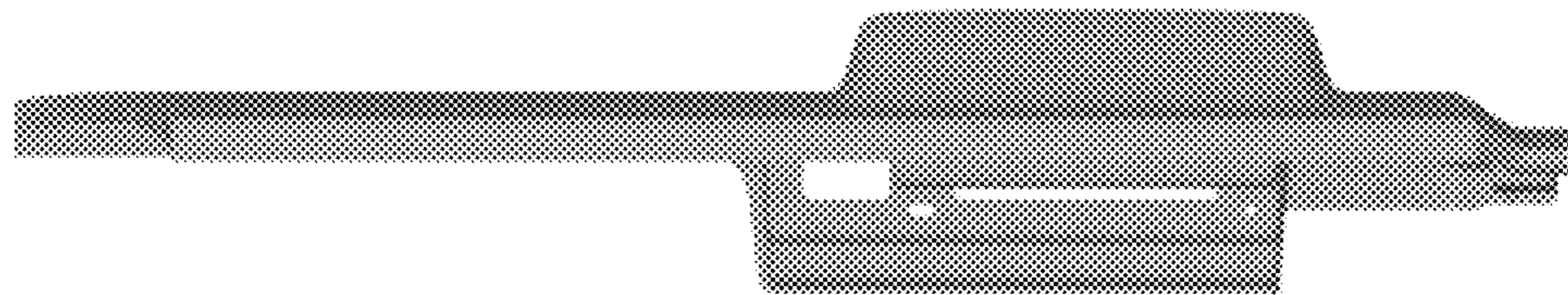


FIG. 6