



US00D814372S

(12) **United States Design Patent**
Bennett et al.

(10) **Patent No.:** **US D814,372 S**
(45) **Date of Patent:** **** Apr. 3, 2018**

- (54) **VEHICLE FENDER PANEL**
- (71) Applicant: **Omix-Ada, Inc.**, Suwanee, GA (US)
- (72) Inventors: **Patrick W. Bennett**, Gainesville, GA (US); **Eric Russell**, Stone Mountain, GA (US)
- (73) Assignee: **Omix-ADA, Inc.**, Suwanee, GA (US)
- (**) Term: **15 Years**
- (21) Appl. No.: **29/588,250**
- (22) Filed: **Dec. 19, 2016**
- (51) **LOC (11) Cl.** **12-16**
- (52) **U.S. Cl.**
USPC **D12/184**
- (58) **Field of Classification Search**
USPC D12/414, 415, 416, 417, 418, 419, 420,
D12/421, 422, 423, 424, 425, 426, 190,
D12/192, 195, 191, 106, 345, 96, 99, 400,
D12/181, 184, 185, 170, 169
CPC .. B60R 7/04; B60R 7/18; B62D 25/18; B62D
25/16; B62D 25/161; B62D 25/168;
B62D 25/182; B62D 25/184
See application file for complete search history.

D781,193 S * 3/2017 McMath D12/196
D781,353 S * 3/2017 Underhill D15/28
D785,523 S * 5/2017 McMath D12/184

OTHER PUBLICATIONS

Totaltruckcenters.com. "Rugged Ridge: Armor Fenders for '07-'16 Jeep Wrangler JK/U." Published May 4, 2017. Retrieved Jul. 17, 2017. (<https://totaltruckcenters.com/blog/ruggedridgeararmorfendersfor0716jeepwranglerjku/>).*

* cited by examiner

Primary Examiner — Karen S Acker

Assistant Examiner — Jerry Shiuan-Hua Hsu

(74) *Attorney, Agent, or Firm* — Womble Bond Dickinson (US) LLP

(57) **CLAIM**

The ornamental design for a vehicle fender panel, as shown and described.

DESCRIPTION

FIG. 1 is a right front perspective view of a vehicle fender panel showing our new design.
FIG. 2 is a right side view thereof.
FIG. 3 is a left side view thereof.
FIG. 4 is a front elevation view thereof.
FIG. 5 is a rear elevation view thereof.
FIG. 6 is a top plan view thereof; and,
FIG. 7 is a bottom plan view thereof.

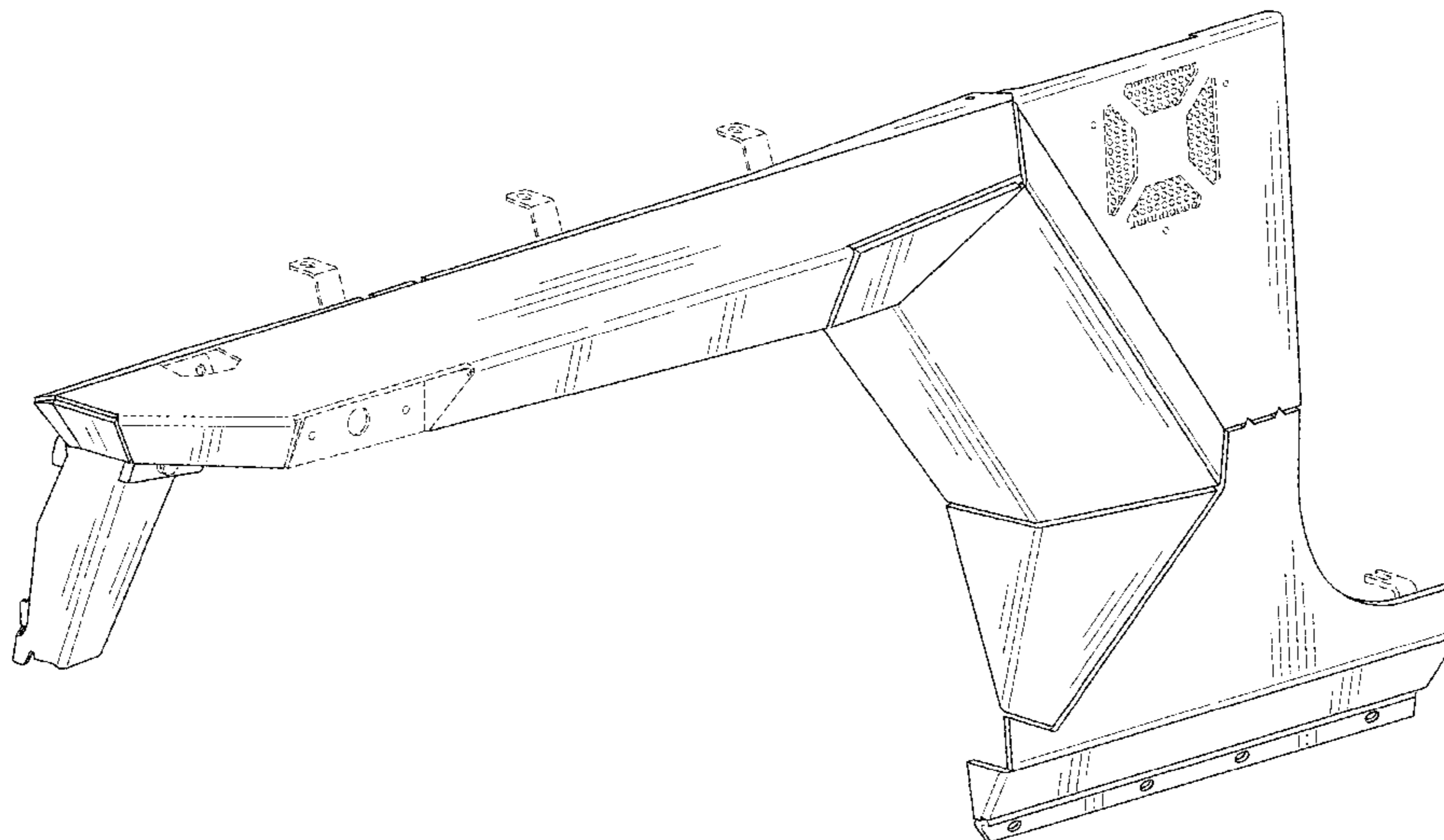
The drawings show a vehicle fender panel for the left side of a vehicle, the vehicle fender panel for the right side of a vehicle being a mirror image thereof. The broken lines shown in the drawings represent unclaimed portions of the structure of the vehicle fender panel, and form no part of the claimed design.

1 Claim, 6 Drawing Sheets

(56) **References Cited**

U.S. PATENT DOCUMENTS

- D572,183 S * 7/2008 Zimmermann D12/184
- D579,824 S * 11/2008 Pandey D12/12
- D586,712 S * 2/2009 Opfer D12/184
- D592,546 S * 5/2009 Hammick D12/12
- D620,855 S * 8/2010 Waclawski D12/181
- D623,103 S * 9/2010 Braga D12/181
- D652,358 S * 1/2012 Hodges D12/181
- D718,688 S * 12/2014 Thole D12/184
- D741,234 S * 10/2015 Hanson D12/184
- D741,235 S * 10/2015 Hanson D12/184



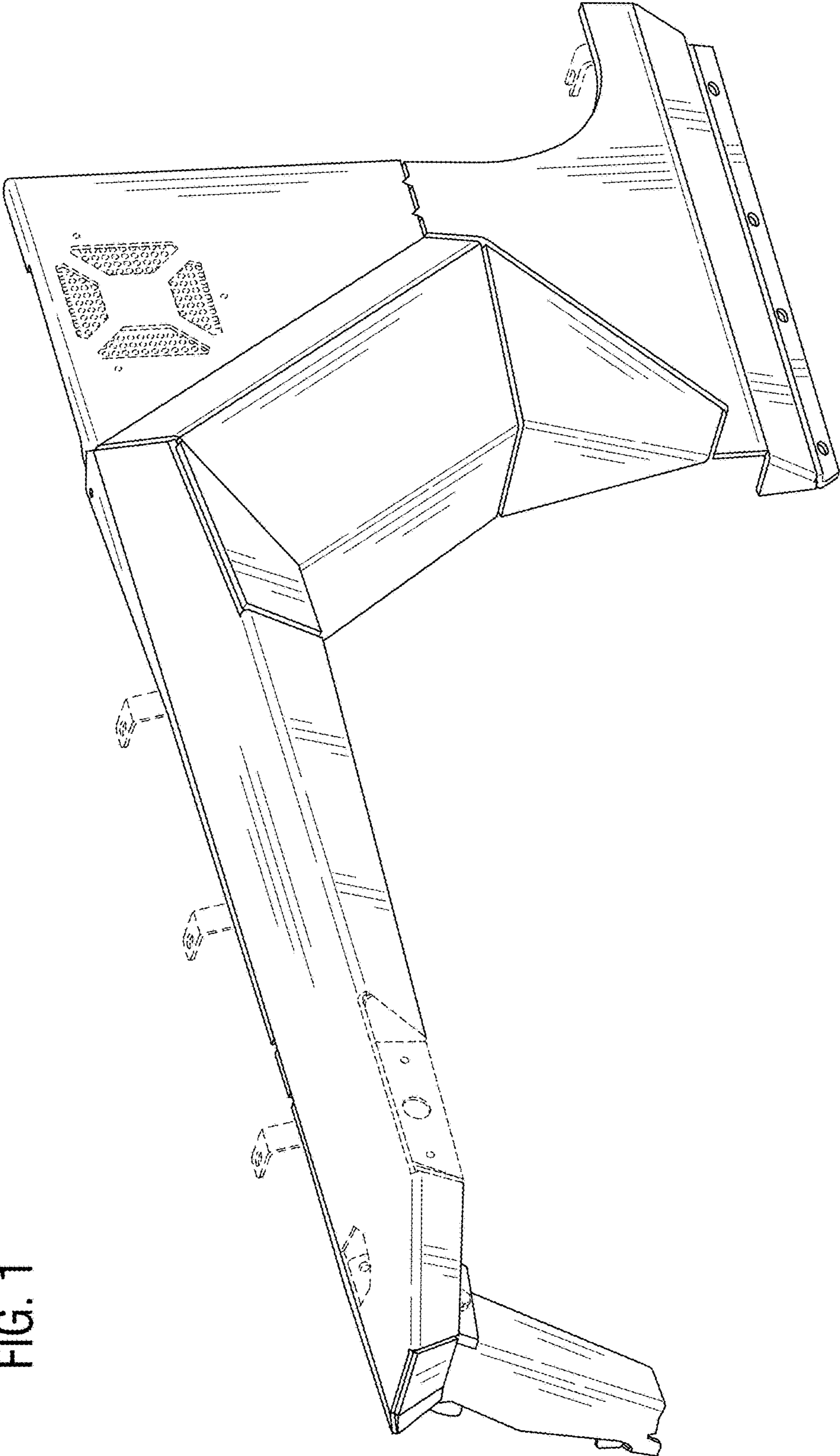


FIG. 1

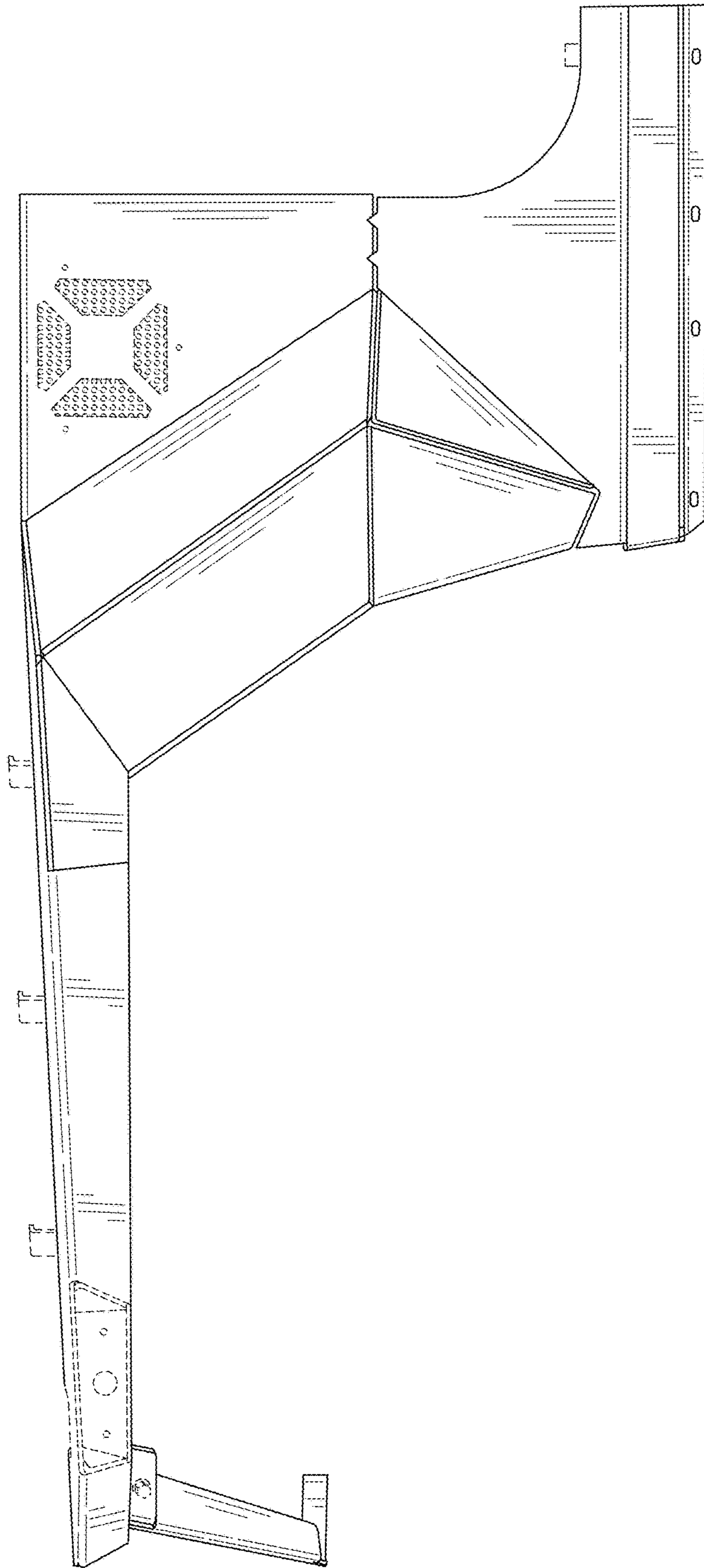
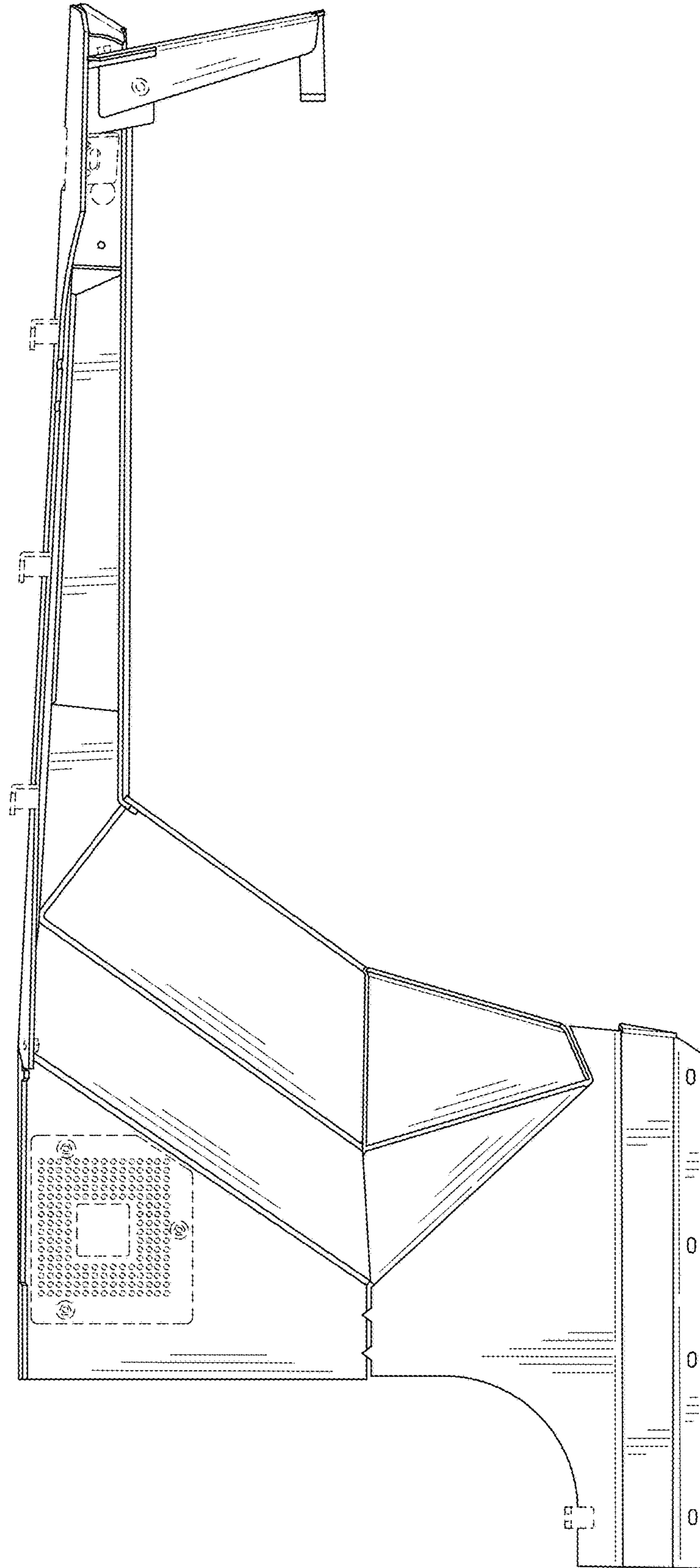


FIG. 2

FIG. 3



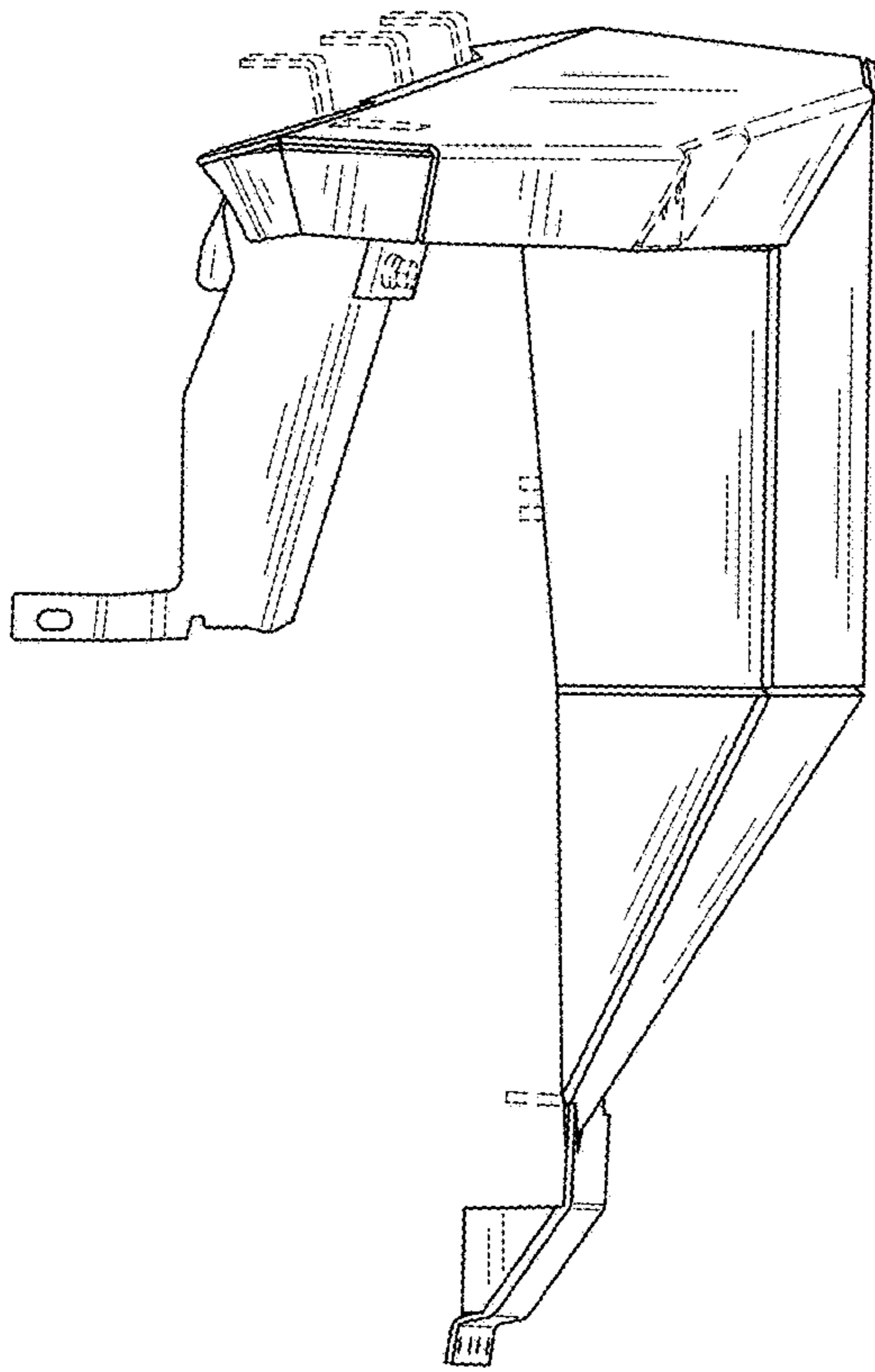


FIG. 4

FIG. 5

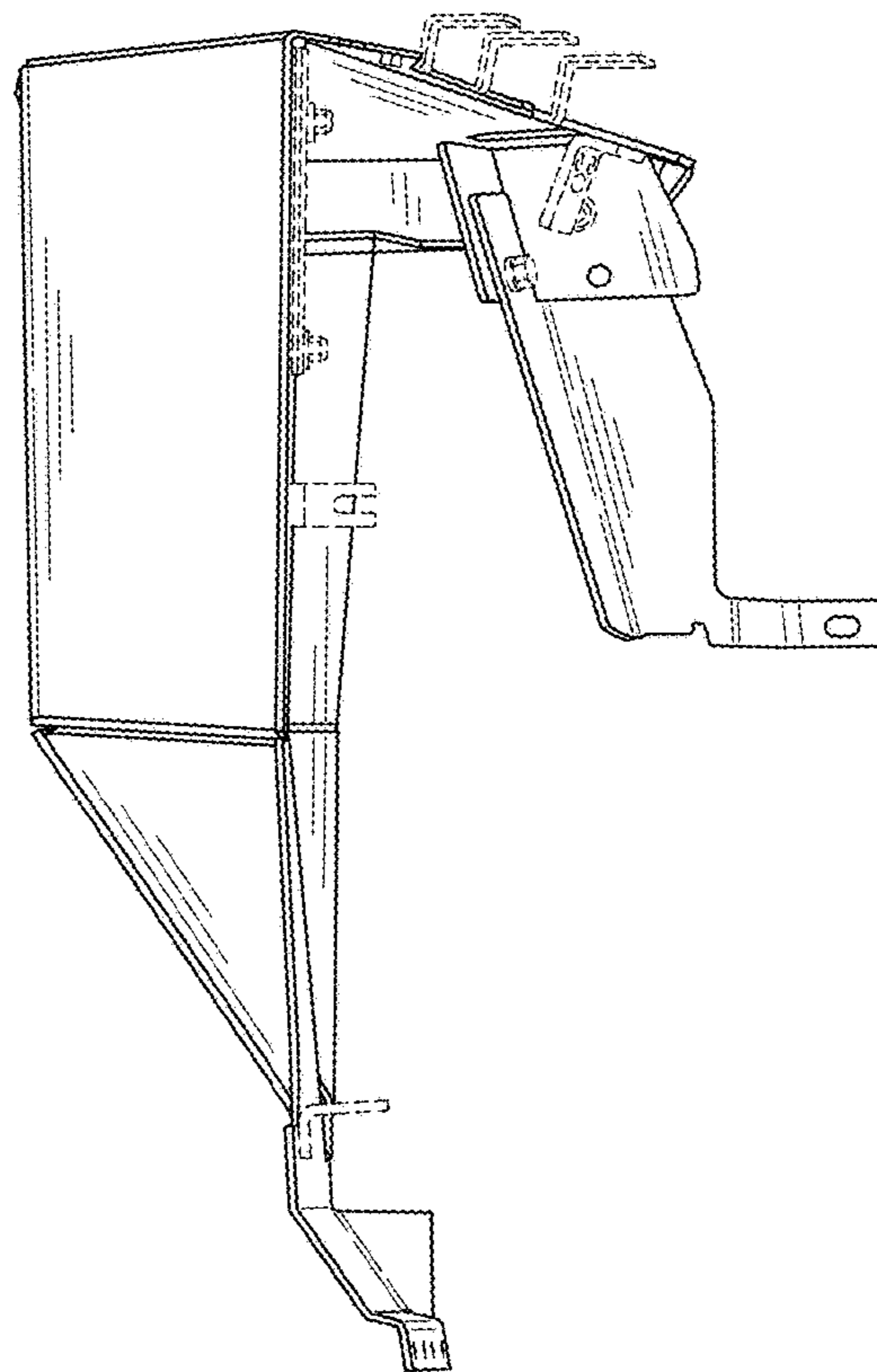
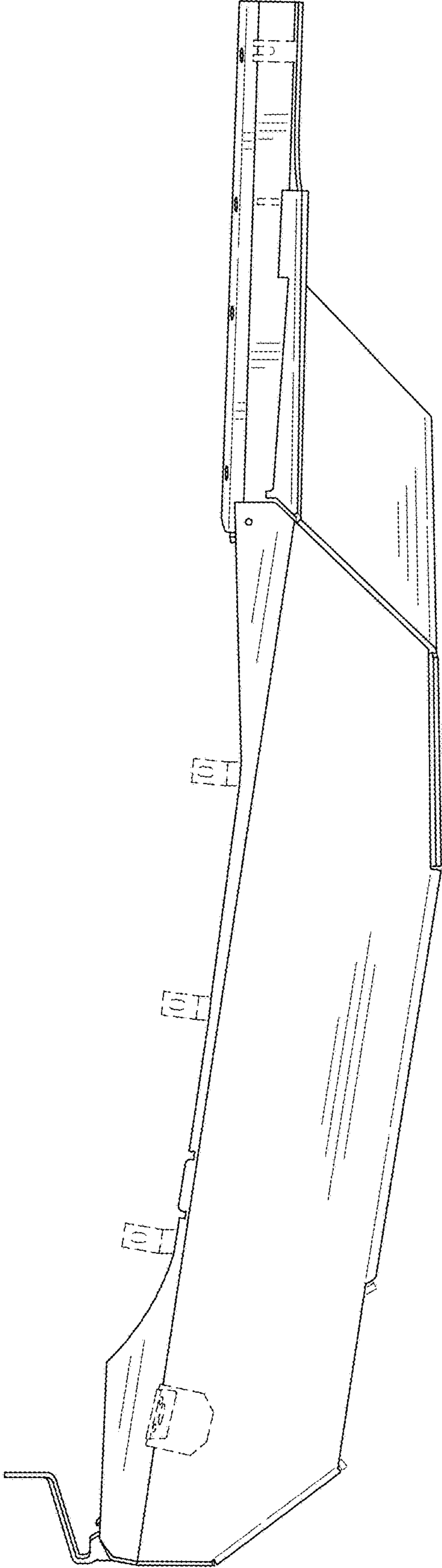


FIG. 6



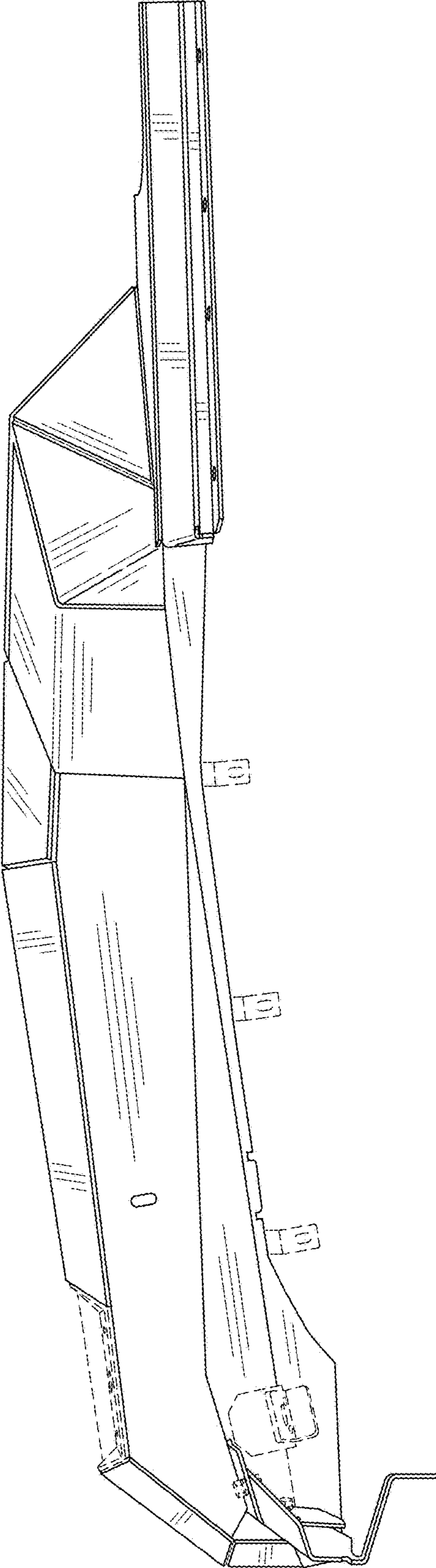


FIG. 7