



US00D814370S

(12) **United States Design Patent**  
**Kim et al.**

(10) **Patent No.:** **US D814,370 S**

(45) **Date of Patent:** **\*\* Apr. 3, 2018**

(54) **REMOTE CONTROL FOR UNMANNED  
AERIAL VEHICLE**

CPC ..... H04N 7/15; H04N 7/142; H04N 5/232;  
G05G 9/047; G06F 3/033  
See application file for complete search history.

(71) Applicant: **LG ELECTRONICS INC.**, Seoul  
(KR)

(56) **References Cited**

U.S. PATENT DOCUMENTS

(72) Inventors: **Jaeyoung Kim**, Seoul (KR); **Yoonho  
Shin**, Seoul (KR); **Sungjae Chung**,  
Seoul (KR); **Junseok Ham**, Seoul  
(KR); **Eunji Park**, Seoul (KR)

|          |   |   |         |             |       |         |
|----------|---|---|---------|-------------|-------|---------|
| D340,042 | S | * | 10/1993 | Copper      | ..... | D14/388 |
| D404,717 | S | * | 1/1999  | Duchon      | ..... | D13/168 |
| D553,620 | S | * | 10/2007 | Schroeder   | ..... | D14/217 |
| D567,243 | S | * | 4/2008  | Ashida      | ..... | D14/412 |
| D624,903 | S | * | 10/2010 | Wlotzka     | ..... | D14/218 |
| D632,673 | S | * | 2/2011  | Isaias      | ..... | D14/218 |
| D638,841 | S | * | 5/2011  | Musick, Jr. | ..... | D14/412 |
| D693,333 | S | * | 11/2013 | Joe         | ..... | D14/218 |
| D723,558 | S | * | 3/2015  | Downs       | ..... | D12/133 |

(Continued)

(73) Assignee: **LG ELECTRONICS INC.**, Seoul  
(KR)

OTHER PUBLICATIONS

(\*\*) Term: **15 Years**

LG onthult G5 Smart Controller voor drones, announced Feb. 22,  
2016 [online], [site visited Jan. 4, 2017]. Available from Internet,  
URL: <<https://www.drones.nl/nieuws/2016/02/lg-onthult-g5-smart-controller-voor-drones>>.\*

(Continued)

(21) Appl. No.: **35/502,272**

(22) Filed: **Jul. 13, 2016**

*Primary Examiner* — Barbara Fox

*Assistant Examiner* — Dana K Weiland

(80) **Hague Agreement Data**

Int. Filing Date: **Jul. 13, 2016**

Int. Reg. No.: **DM/091774**

Int. Reg. Date: **Jul. 13, 2016**

Int. Reg. Pub. Date: **Jan. 13, 2017**

(74) *Attorney, Agent, or Firm* — Birch, Stewart,  
Kolasch & Birch, LLP

(57) **CLAIM**

The ornamental design for remote control for unmanned  
aerial vehicle, as shown and described.

**DESCRIPTION**

(30) **Foreign Application Priority Data**

Jan. 18, 2016 (KR) ..... 30-2016-0002463

(51) **LOC (11) Cl.** ..... **12-16**

(52) **U.S. Cl.**  
USPC ..... **D12/174; D13/168; D14/412**

(58) **Field of Classification Search**  
USPC ..... D14/412–416, 137, 388–390, 217–218,  
D14/240, 247, 396–398, 401; D21/516,  
D21/324–333, 566; D13/162–164, 168;  
D12/16.1, 174

1. Remote control for unmanned aerial vehicle

**1.1** : Perspective

**1.2** : Front

**1.3** : Back

**1.4** : Left

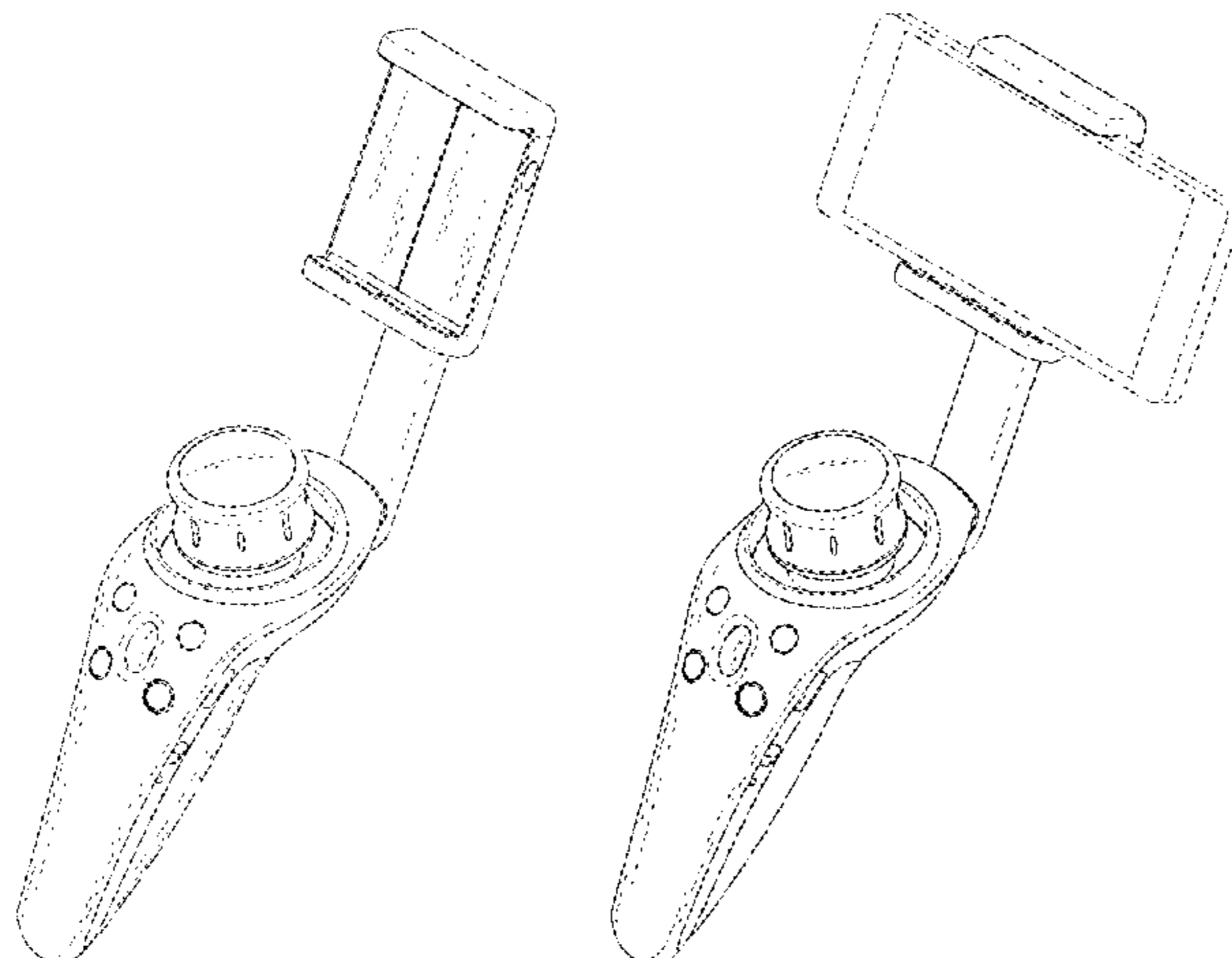
**1.5** : Right

**1.6** : Top

**1.7** : Bottom

**1.8** : Reference

(Continued)



The broken lines shown in Reproduction 1.8 depict environmental structure and form no part of the claimed design.

**1 Claim, 8 Drawing Sheets**

D799,448 S \* 10/2017 Zheng ..... D14/217  
D801,974 S \* 11/2017 Stadlbauer ..... D14/415  
2014/0083225 A1\* 3/2014 Downs ..... B60K 37/06  
74/471 XY  
2015/0143418 A1\* 5/2015 Kim ..... H04N 21/44222  
725/37  
2016/0132052 A1\* 5/2016 Seydoux ..... G05D 1/0022  
701/2

(56)

**References Cited**

U.S. PATENT DOCUMENTS

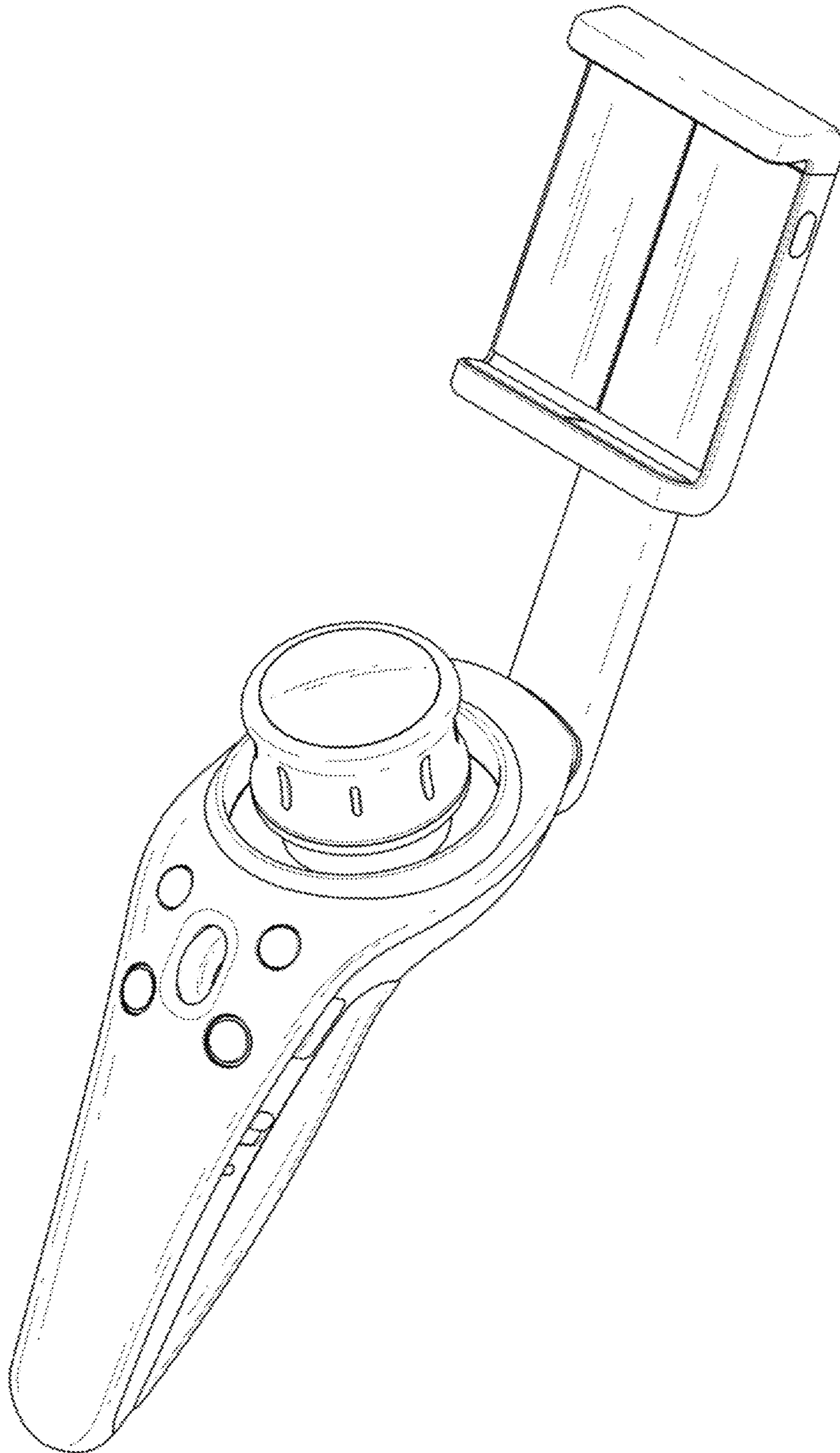
D723,559 S \* 3/2015 Hein ..... D14/413  
D750,179 S \* 2/2016 Foulkes ..... D14/400  
D756,969 S \* 5/2016 Kim ..... D14/218  
D776,091 S \* 1/2017 Spio ..... D14/218  
D784,296 S \* 4/2017 Katsuno ..... D14/218  
D784,997 S \* 4/2017 Cheng ..... D14/447  
D786,841 S \* 5/2017 Minn ..... D14/238.1  
D790,545 S \* 6/2017 Dannenberg ..... D14/413  
D794,606 S \* 8/2017 Zheng ..... D14/217  
D796,454 S \* 9/2017 Zheng ..... D13/168  
D797,743 S \* 9/2017 Awad ..... D14/412

OTHER PUBLICATIONS

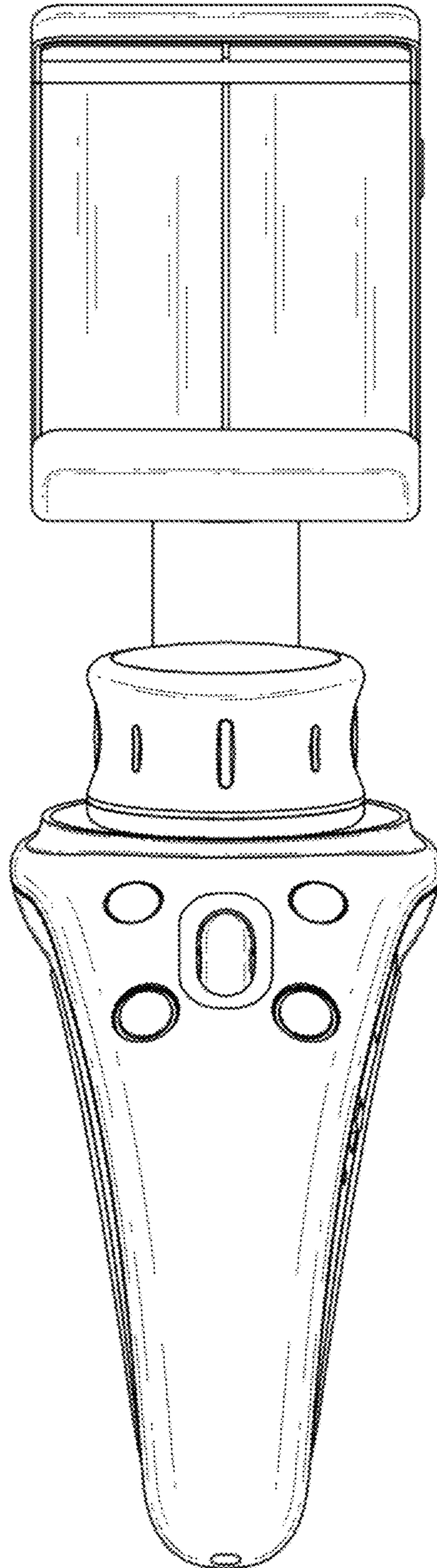
LG and Parrot have made a drone controller , announced Feb. 21, 2016 [online], [site visited Jan. 4, 2017]. Available from Internet, URL: <<https://twitter.com/slashgear/status/701483212497936384>>.\*  
LG announced its 2013 Cinema 3D Smart TV Lineup, announced Apr. 26, 2013 [online], [site visited Jan. 4, 2017]. Available from Internet, URL: <<http://www.hardwarezone.com.sg/feature-lg-announces-its-2013-cinema-3d-smart-tv-lineup-singapore>>.\*

\* cited by examiner

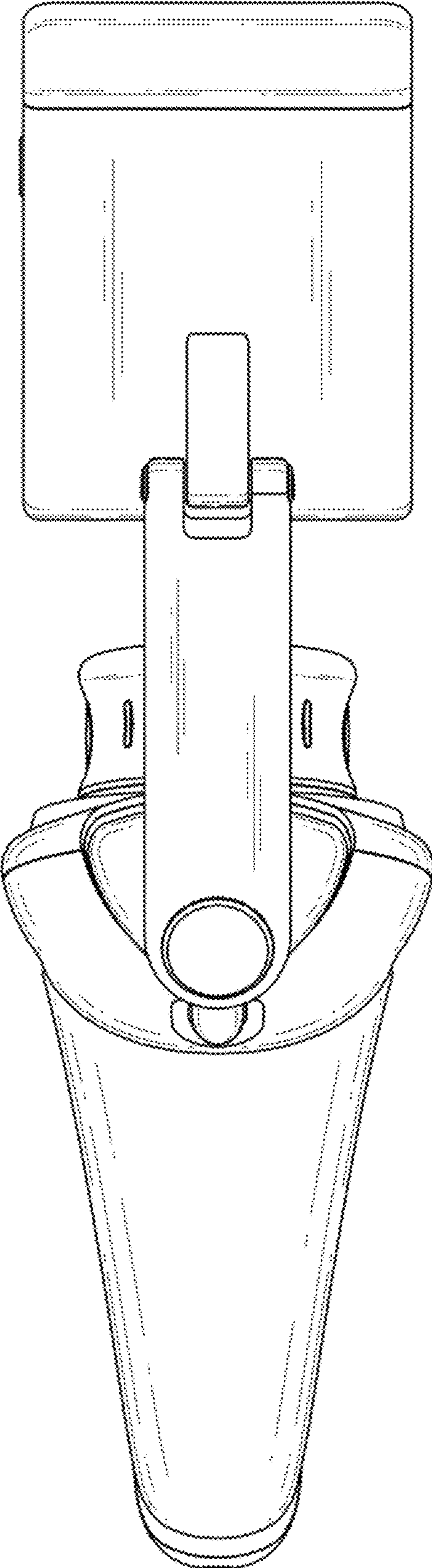
1.1



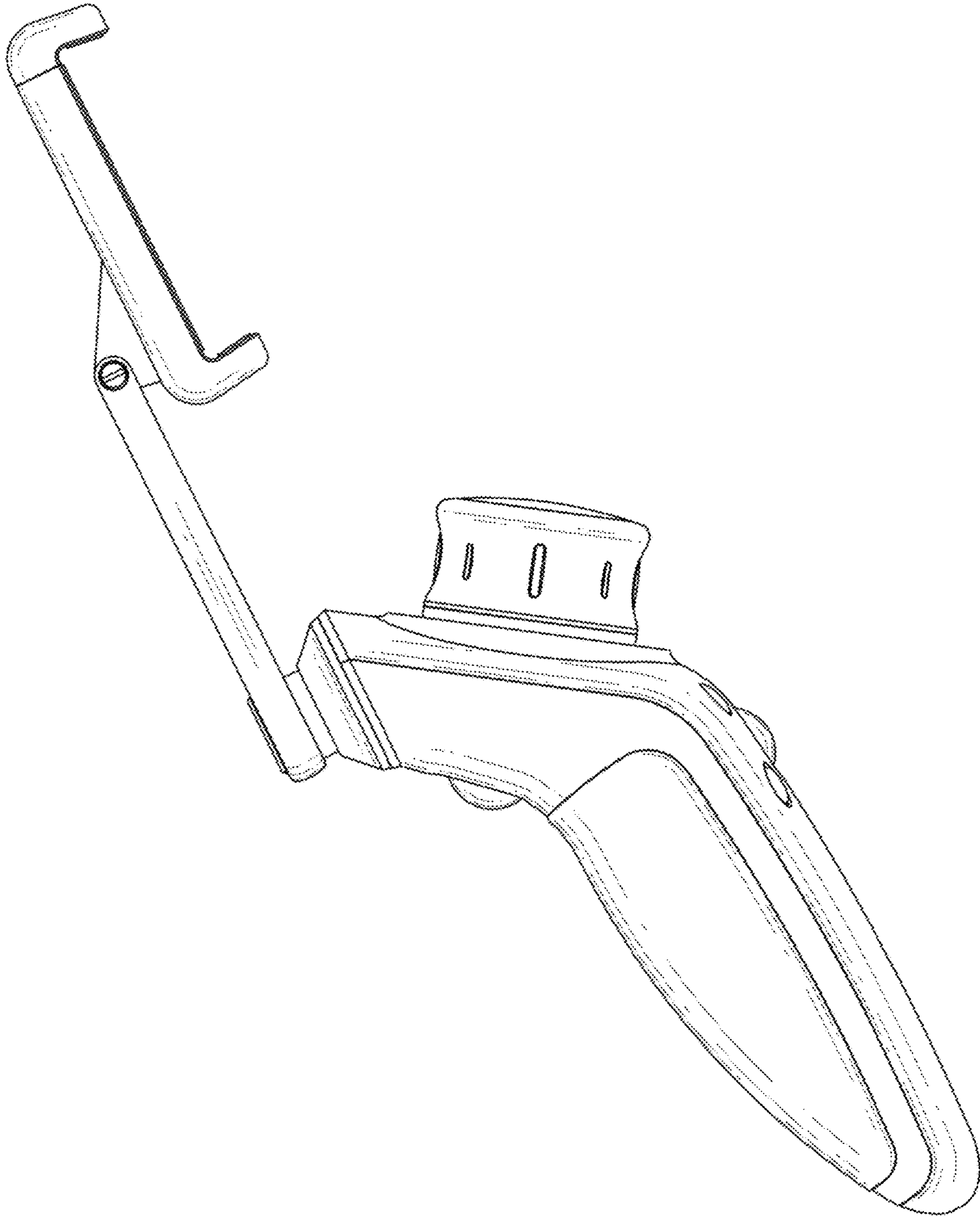
1.2



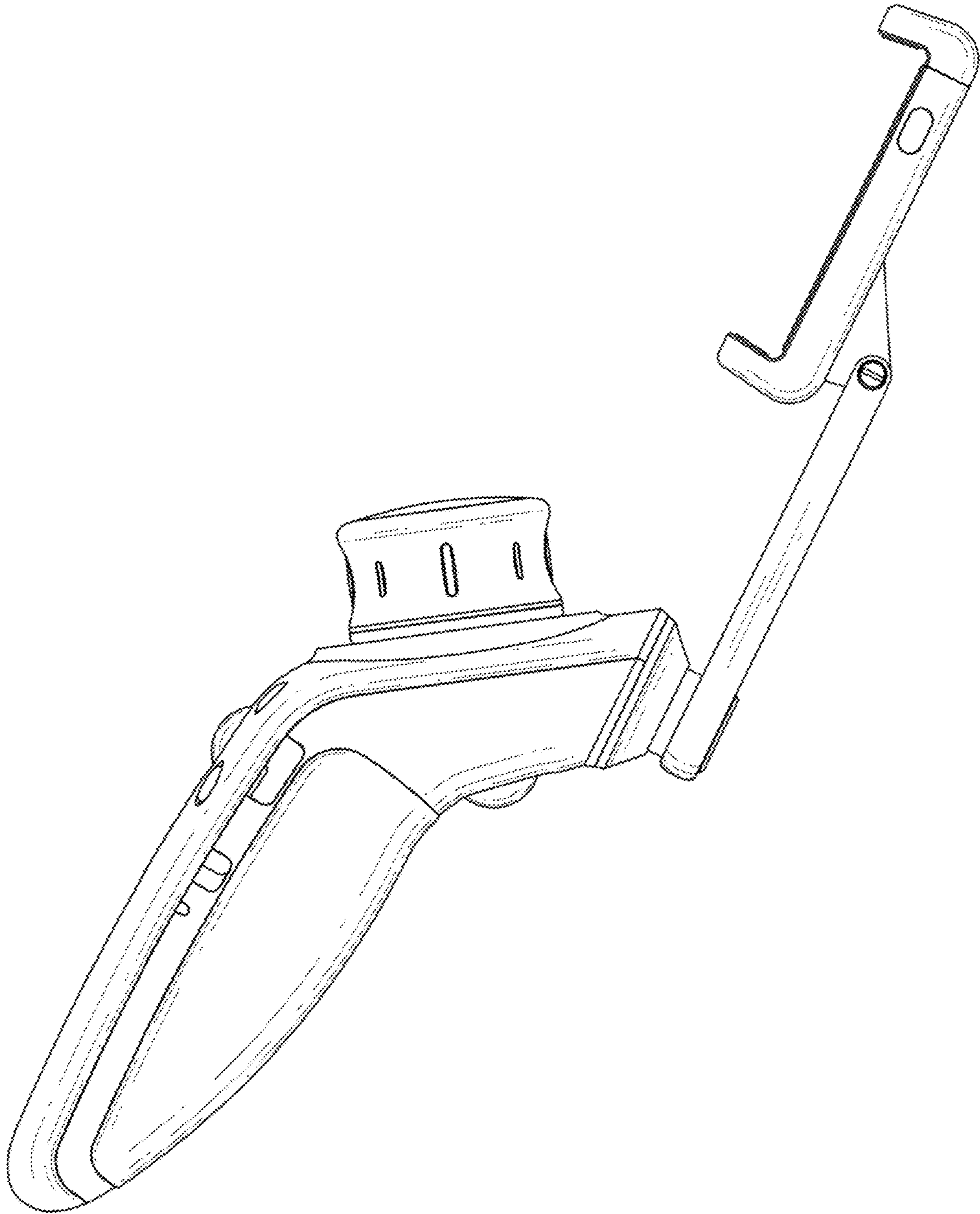
1.3



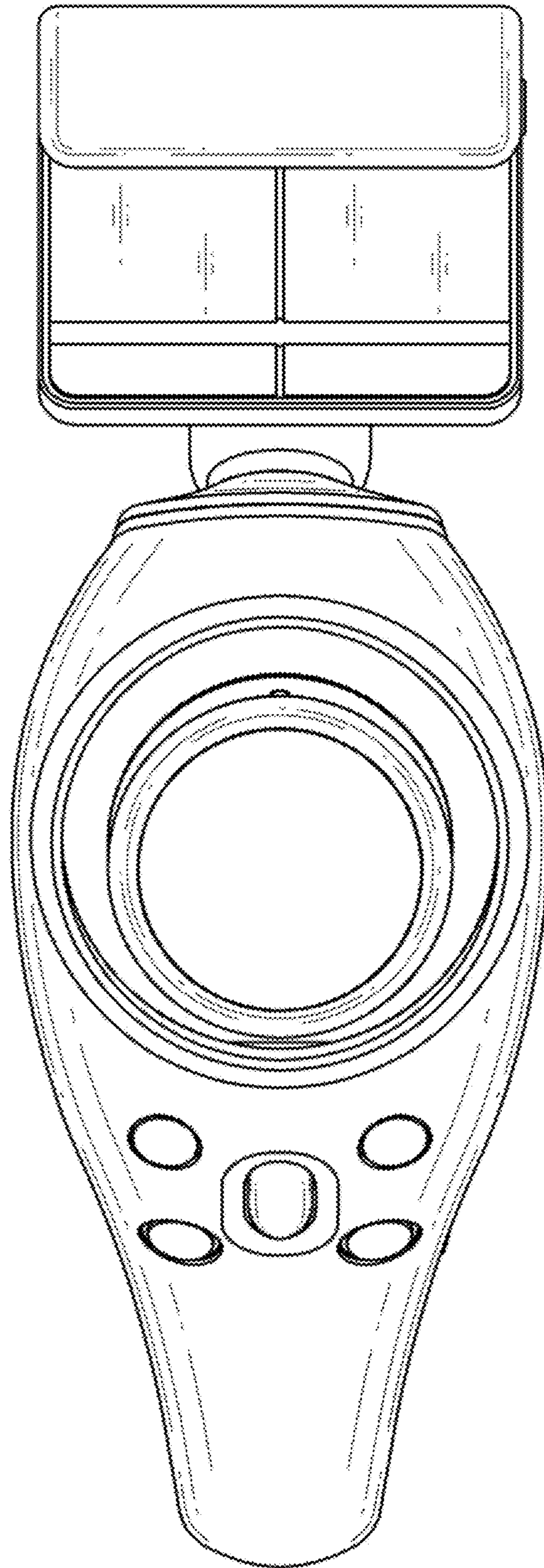
1.4



1.5

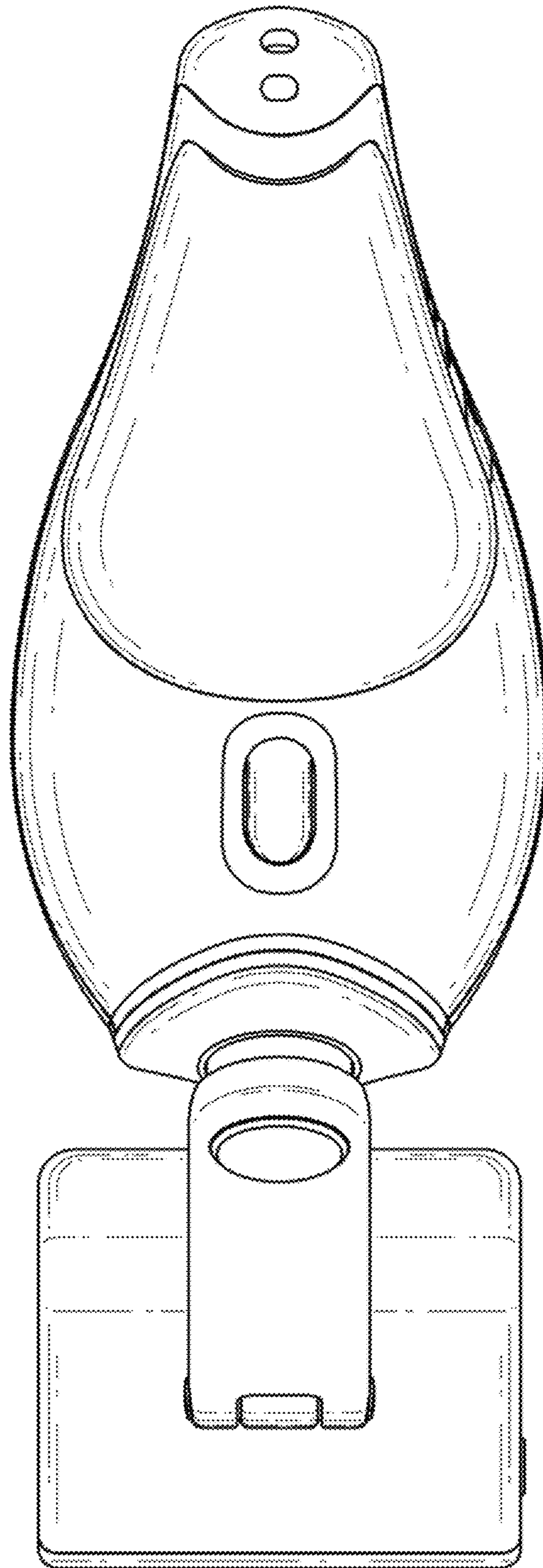


1.6





1.7



1.8

