



US00D814363S

(12) **United States Design Patent**
VanAusdall

(10) **Patent No.:** **US D814,363 S**
(45) **Date of Patent:** **** Apr. 3, 2018**

- (54) **WRAP AROUND WALKING AID**
- (71) Applicant: **A Better Walker, LLC**, Loveland, CO (US)
- (72) Inventor: **Jack Paul VanAusdall**, Loveland, CO (US)
- (73) Assignee: **A Better Walker, LLC**, Loveland, CO (US)

2004/0104559	A1*	6/2004	Chen	A61H 3/04 280/642
2005/0001398	A1*	1/2005	Serhan	A61H 3/04 280/87.01
2005/0156395	A1	7/2005	Bohn		
2007/0170699	A1*	7/2007	Li	A61H 3/04 280/642
2007/0267054	A1*	11/2007	Meyers	A61H 3/04 135/67

(Continued)

(**) Term: **15 Years**

(21) Appl. No.: **29/602,235**

(22) Filed: **Apr. 28, 2017**

(51) **LOC (11) Cl.** **12-12**

(52) **U.S. Cl.**
USPC **D12/130**

(58) **Field of Classification Search**
USPC D12/128-133
CPC A61H 3/00; A61H 3/04; A61H
2003/001-2003/007; A61H 2003/043;
A61H 2003/046
See application file for complete search history.

(56) **References Cited**

U.S. PATENT DOCUMENTS

5,020,560	A	6/1991	Turbeville	
5,224,717	A	7/1993	Lowen	
8,851,502	B2*	10/2014	Gaudiano A61H 3/04 135/67
8,936,262	B2*	1/2015	Nabeta A61H 3/04 135/67
8,998,223	B2*	4/2015	Chang F16D 59/02 188/20
D739,314	S *	9/2015	Wang D12/130
9,173,802	B2*	11/2015	Willis A61H 3/04
9,314,395	B1	4/2016	VanAusdall	
2002/0153684	A1*	10/2002	Sung A61H 3/04 280/87.021
2004/0079405	A1*	4/2004	Sanders A61H 3/04 135/67

FOREIGN PATENT DOCUMENTS

WO WO 2016/073066 A1 5/2016

OTHER PUBLICATIONS

International Search Report and Written Opinion, PCT/US2015/048073, dated Dec. 22, 2015.
U.S. Appl. No. 15/582,207, filed Apr. 28, 2017, VanAusdall.

Primary Examiner — Charles Hanson
(74) *Attorney, Agent, or Firm* — Polsinelli PC; Joshua J. Prancun

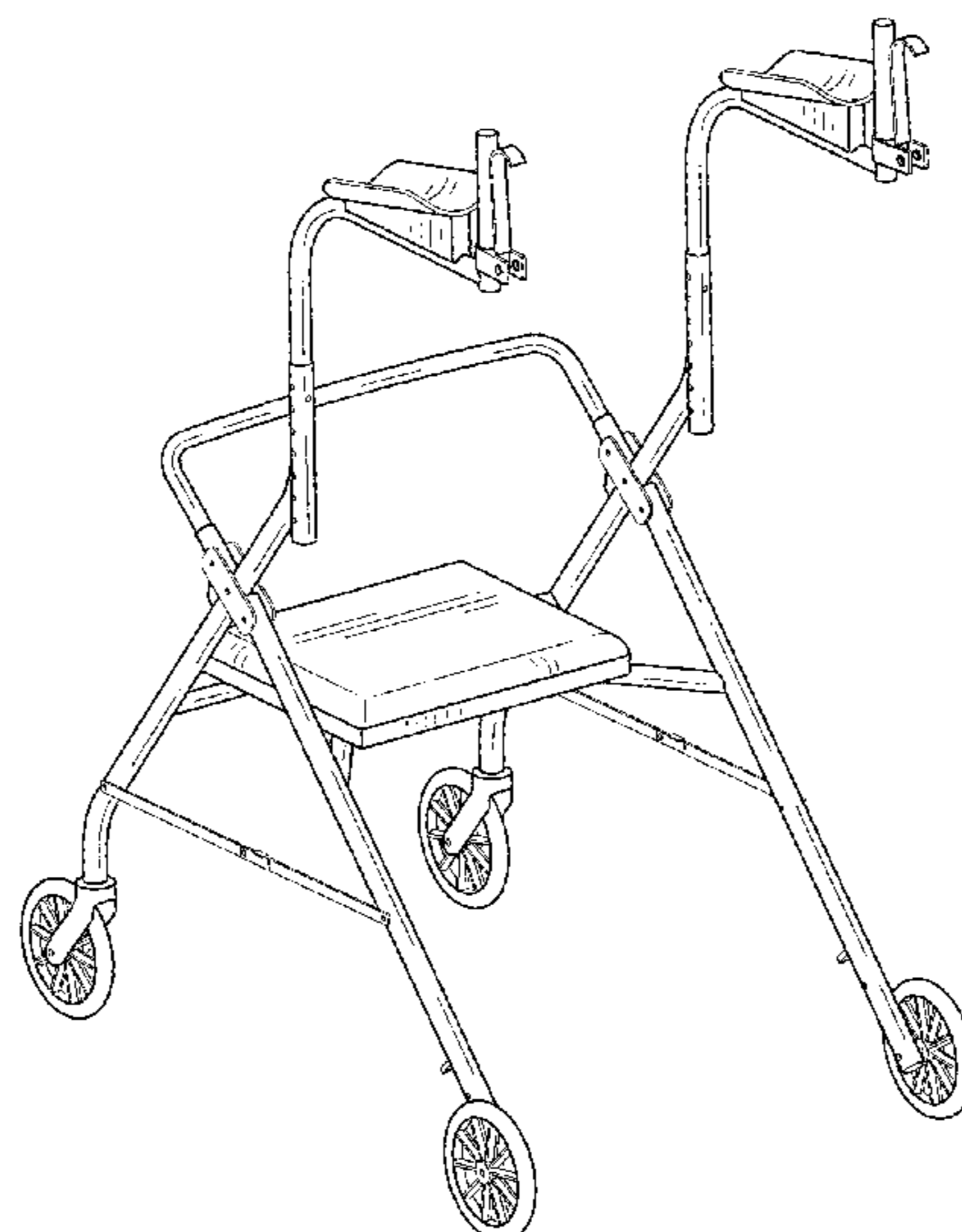
(57) **CLAIM**

The ornamental design for a wrap around walking aid, as shown and described.

DESCRIPTION

FIG. 1 is a front isometric view of a wrap around walking aid.
FIG. 2 is a back isometric view of the wrap around walking aid.
FIG. 3 is a front view of the wrap around walking aid.
FIG. 4 is a back view of the wrap around walking aid.
FIG. 5 is a right side view of the wrap around walking aid.
FIG. 6 is a left side view of the wrap around walking aid.
FIG. 7 is a top view of the wrap around walking aid; and,
FIG. 8 is a bottom view of the wrap around walking aid.

1 Claim, 6 Drawing Sheets



(56)

References Cited

U.S. PATENT DOCUMENTS

2008/0111349	A1 *	5/2008	Willis	A61H 3/04
				280/648
2009/0033052	A1 *	2/2009	Bradshaw	A61H 3/04
				280/87.021

* cited by examiner

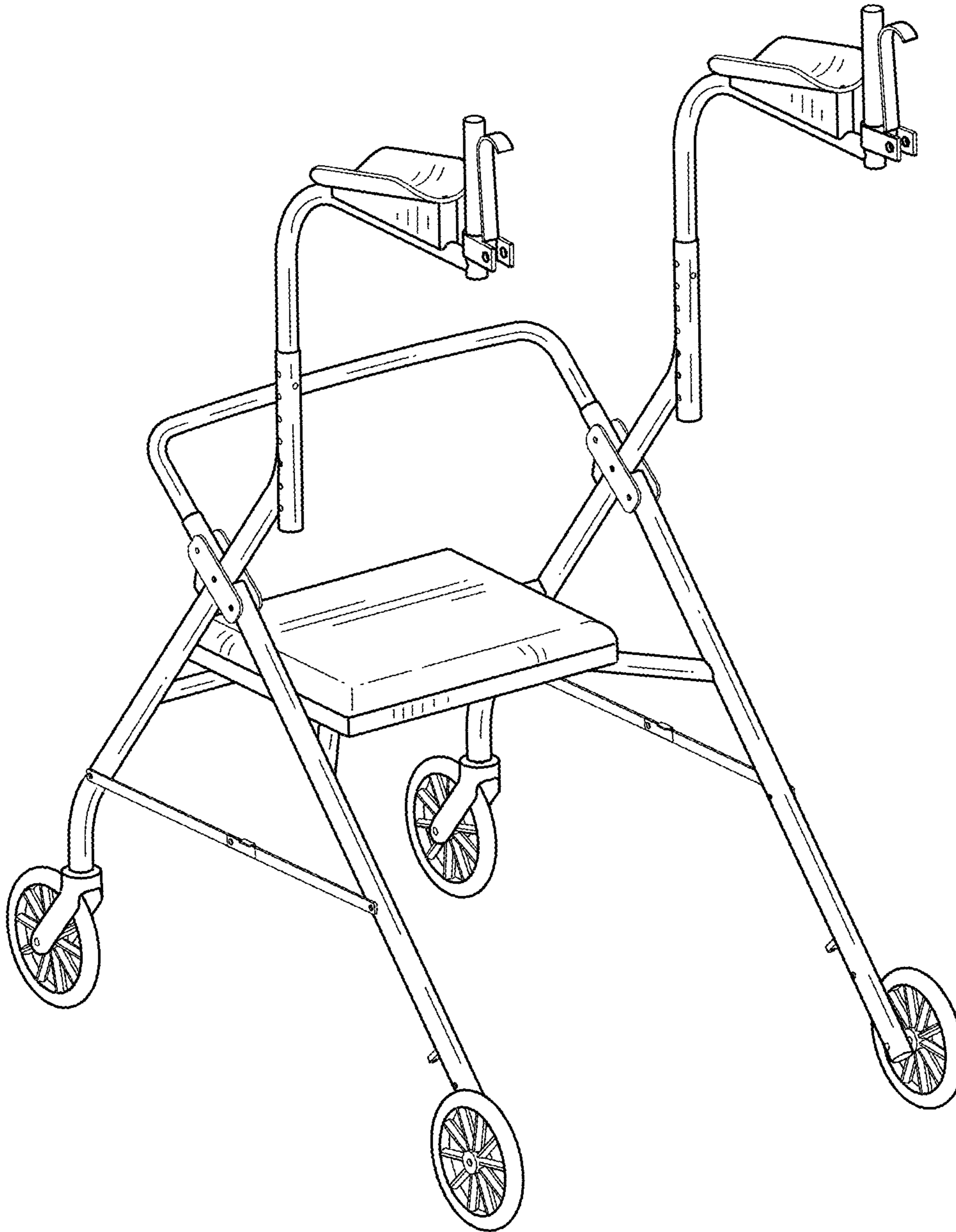


FIG. 1

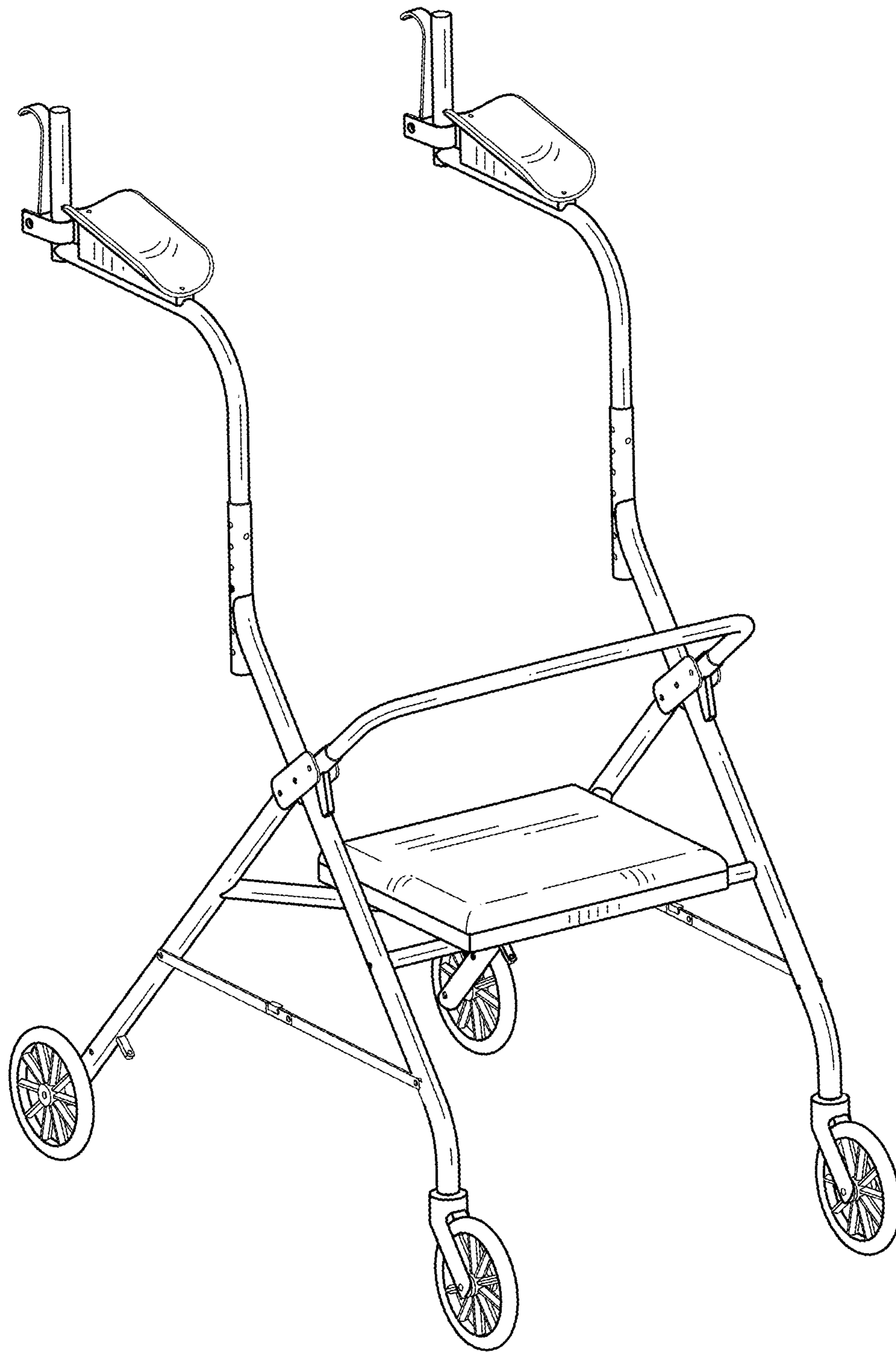


FIG. 2

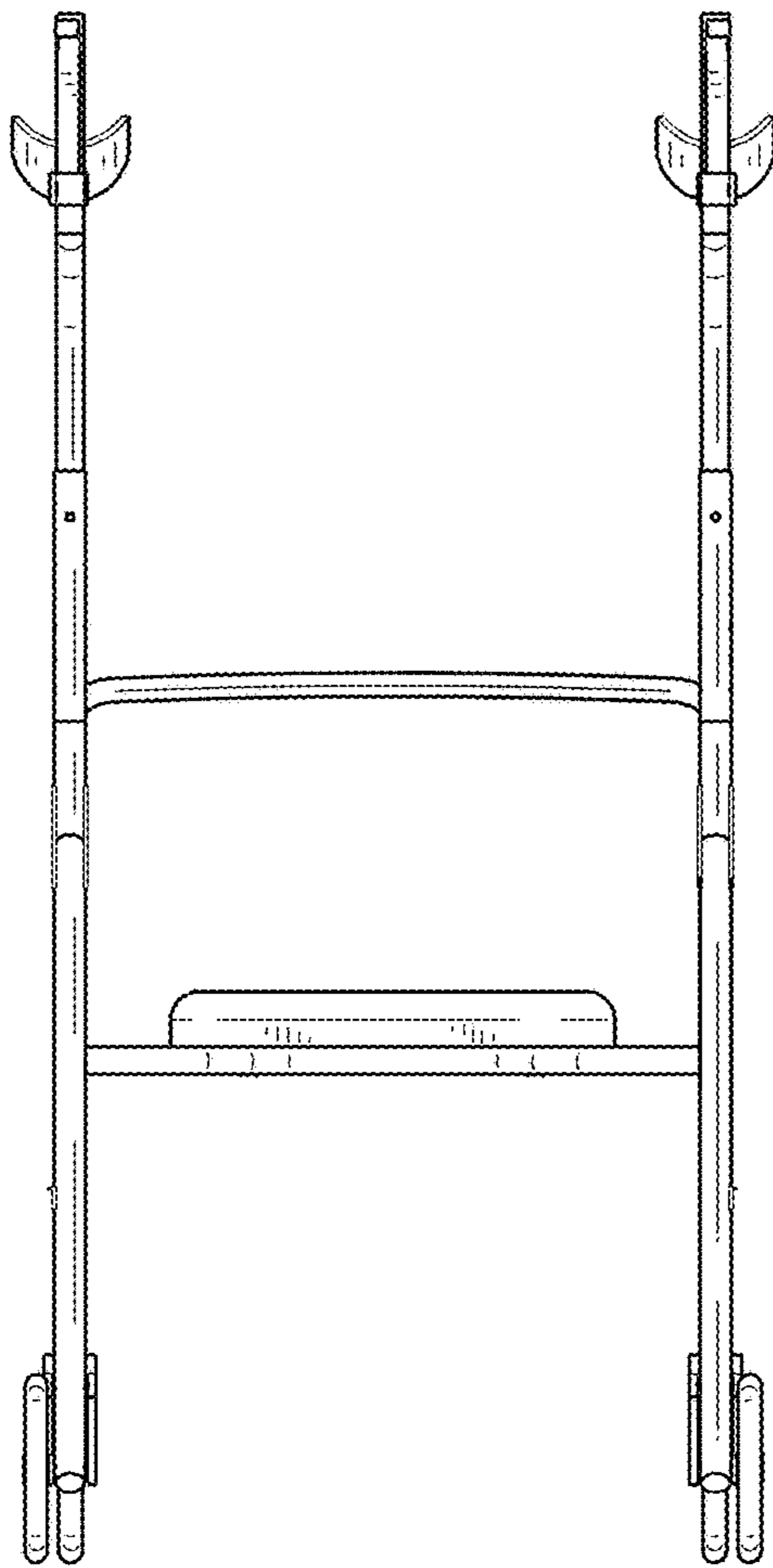


FIG. 3

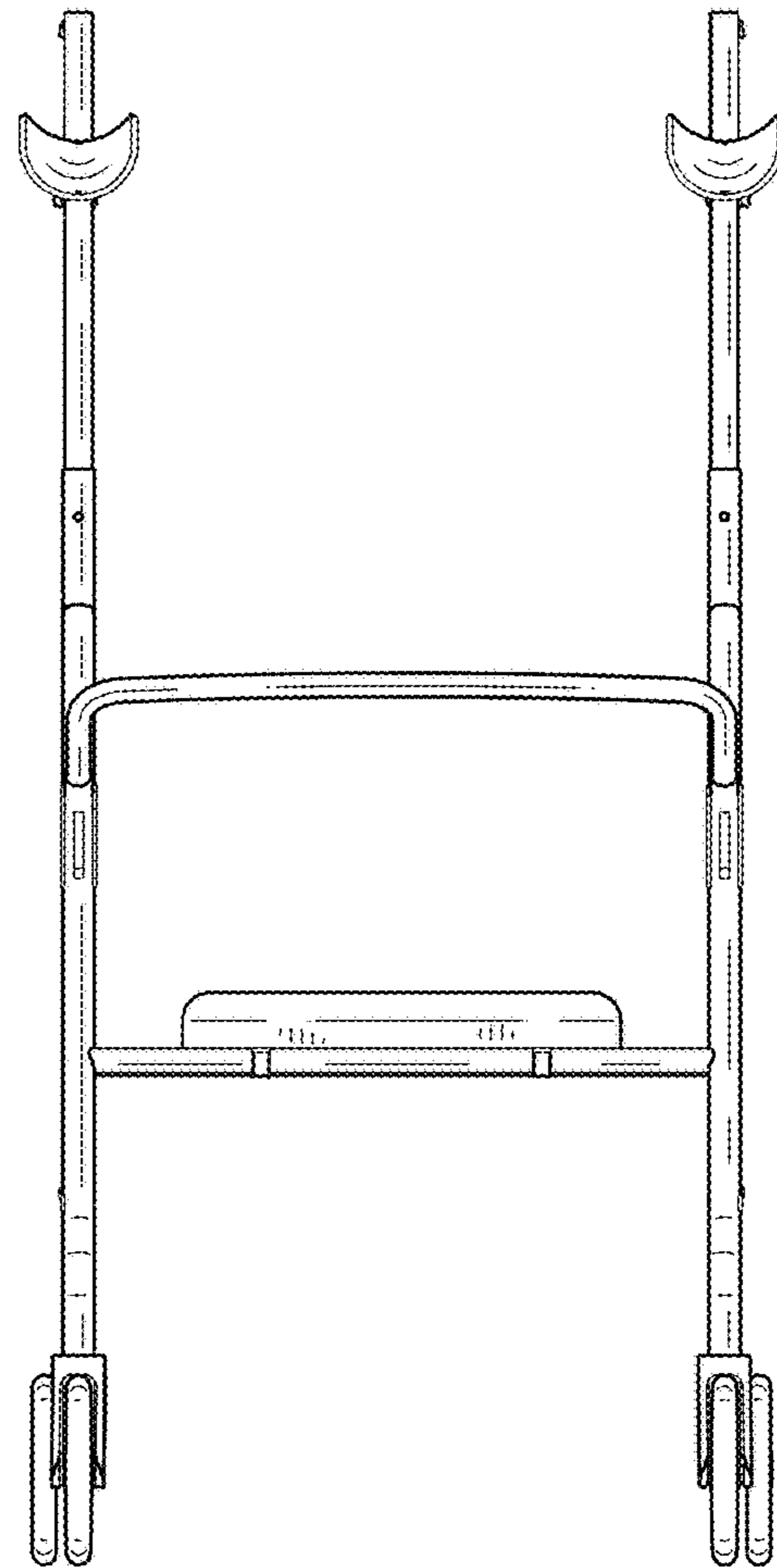


FIG. 4

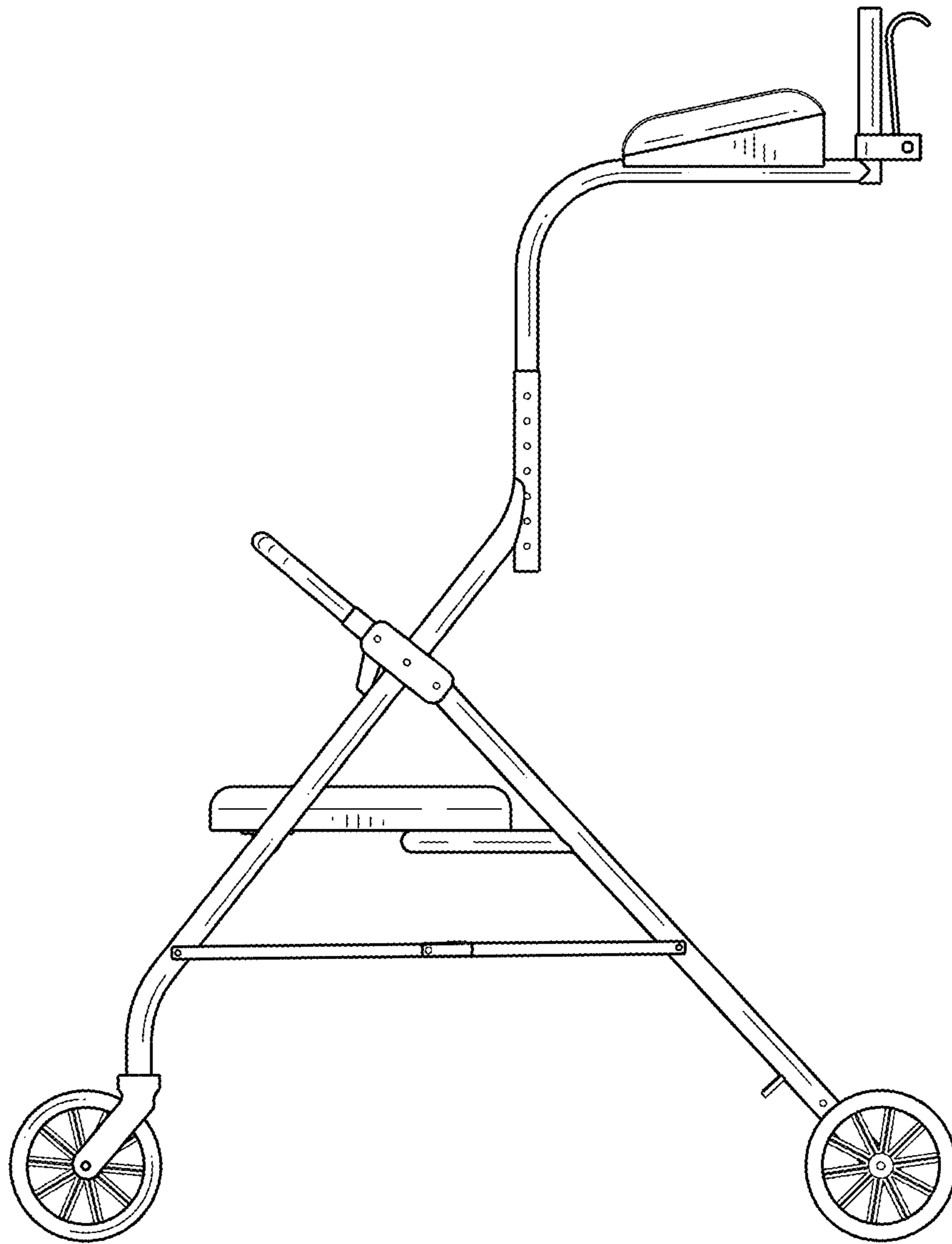


FIG. 5

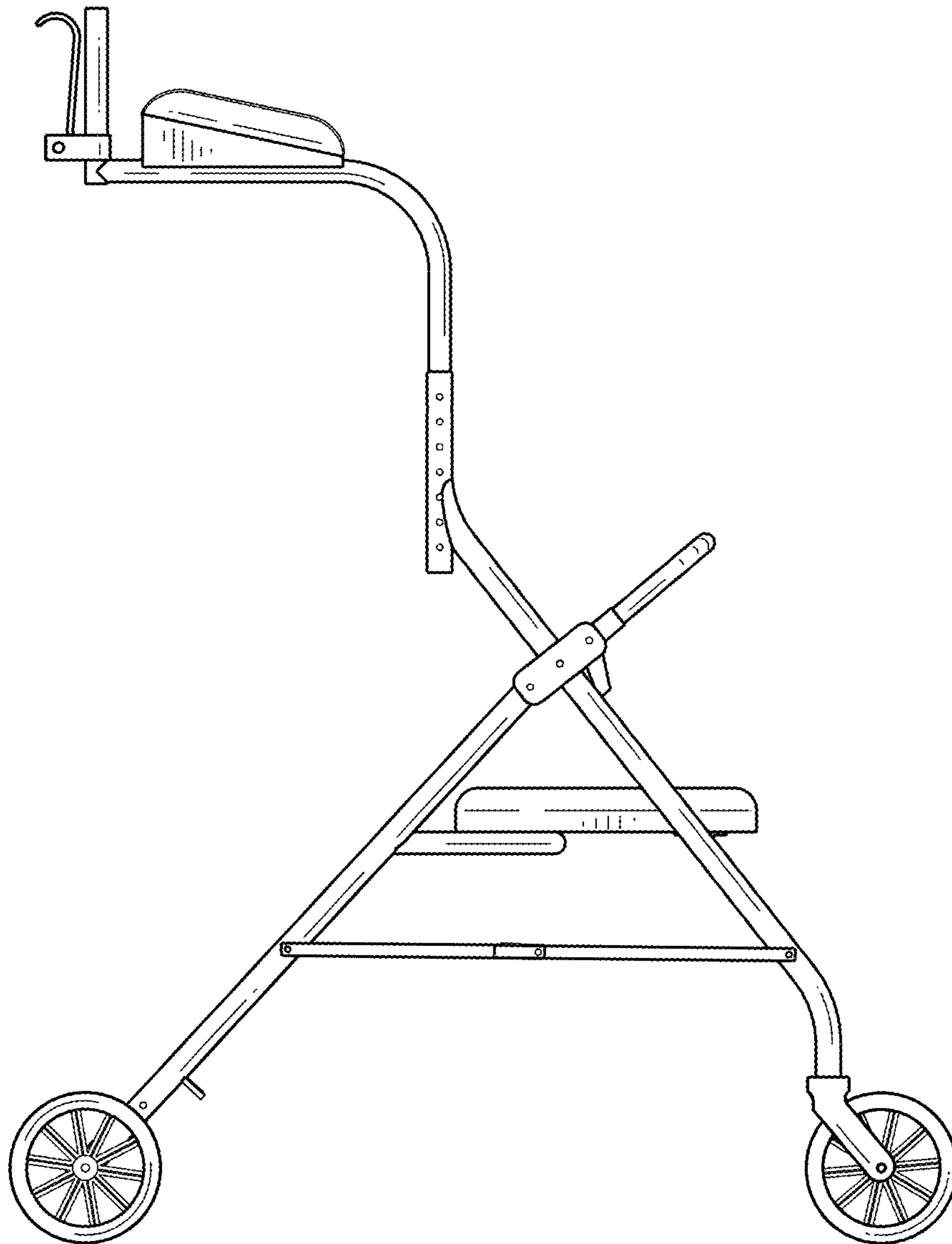


FIG. 6

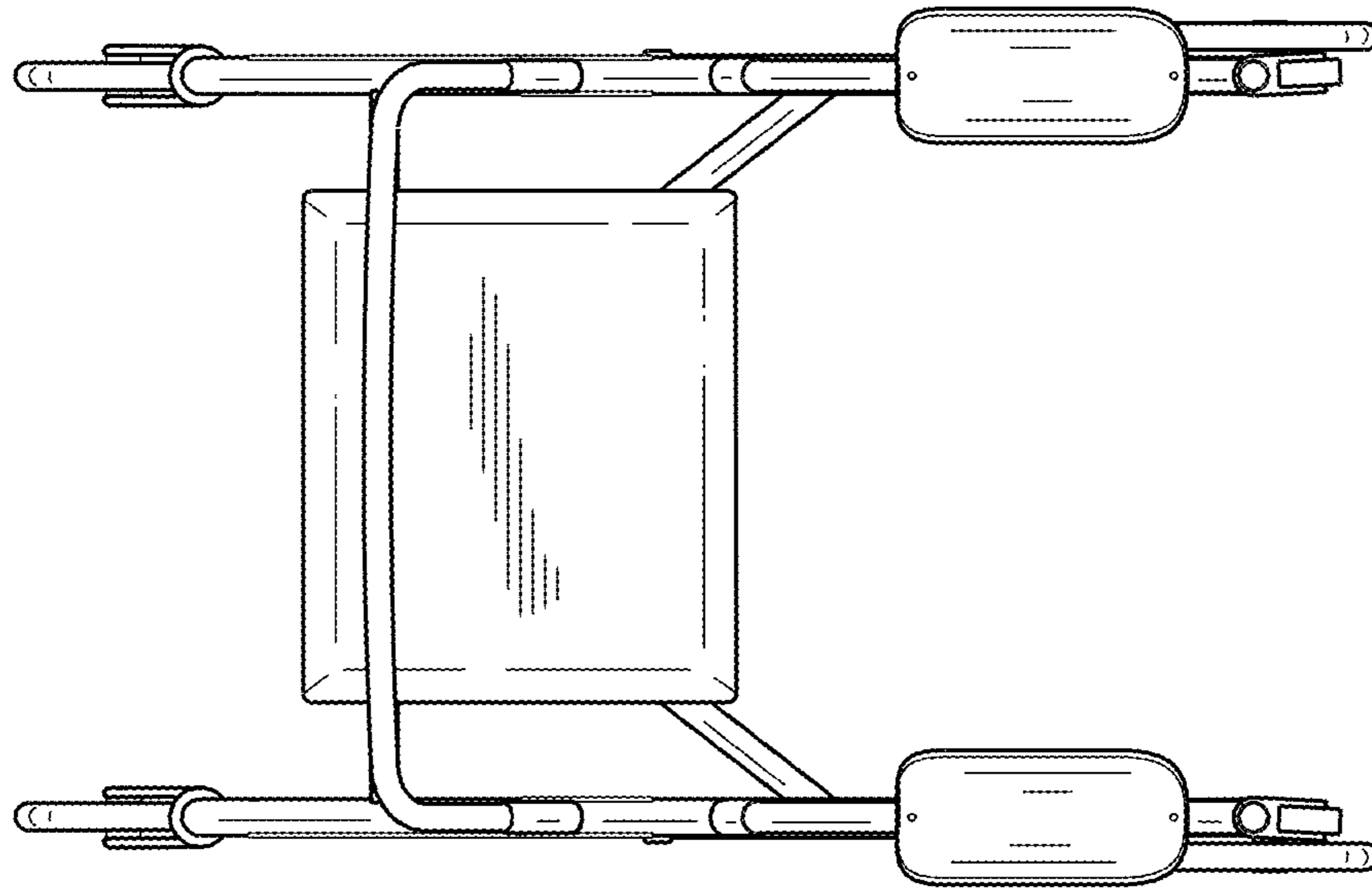


FIG. 7

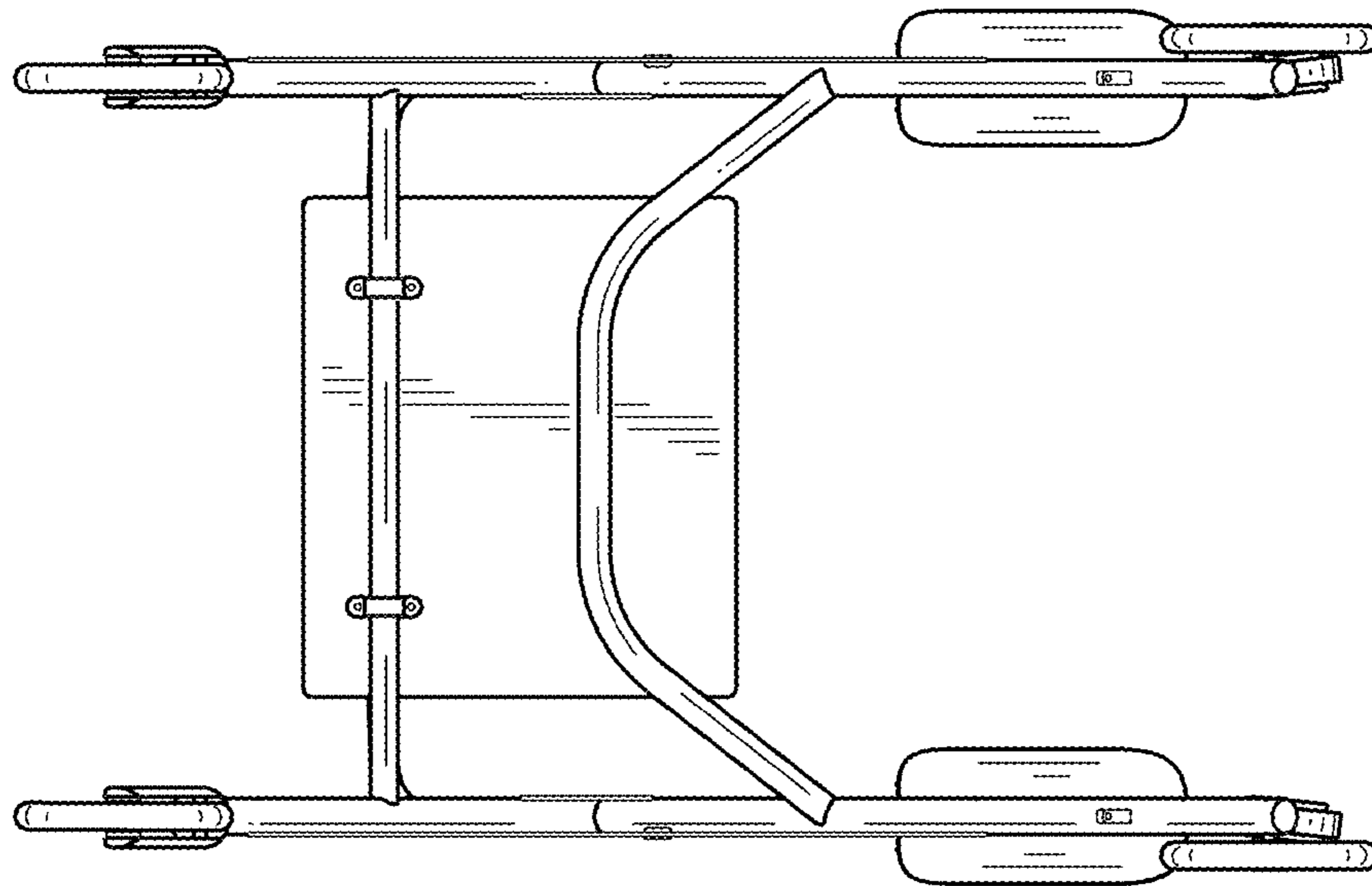


FIG. 8