



US00D814361S

(12) **United States Design Patent**  
**Shi**

(10) **Patent No.:** **US D814,361 S**

(45) **Date of Patent:** **\*\* Apr. 3, 2018**

(54) **ELECTRIC BICYCLE**

(71) Applicant: **Cheng Shi**, Guangdong (CN)

(72) Inventor: **Cheng Shi**, Guangdong (CN)

(\*\*) Term: **15 Years**

(21) Appl. No.: **29/575,561**

(22) Filed: **Aug. 26, 2016**

(51) **LOC (11) Cl.** ..... **12-11**

(52) **U.S. Cl.**

USPC ..... **D12/111**

(58) **Field of Classification Search**

USPC ..... D12/111, 117, 406, 407

CPC . B62K 3/00; B62K 3/005; B62K 9/00; B62K

19/00; B62K 19/02; B62K 19/04; B62K

19/06; B62K 19/16

See application file for complete search history.

(56) **References Cited**

**U.S. PATENT DOCUMENTS**

6,267,401 B1 \* 7/2001 De Jong ..... B62K 15/008  
280/287

D473,495 S \* 4/2003 Niitsu ..... D12/111

6,623,023 B2 \* 9/2003 Niitsu ..... B62K 15/008  
180/220

D487,234 S \* 3/2004 Chen ..... D12/111

6,702,312 B1 \* 3/2004 Miksik ..... B62J 1/04  
280/278

D498,438 S \* 11/2004 Ying ..... D12/111

D500,465 S \* 1/2005 Gunter ..... D12/111

D507,767 S \* 7/2005 Chan ..... D12/111

D516,469 S \* 3/2006 Reinke ..... D12/111  
7,156,409 B2 \* 1/2007 Chuang ..... B62K 15/006  
280/278

D547,702 S \* 7/2007 Tabuchi ..... D12/111

D614,538 S \* 4/2010 Rochon ..... D12/111

D617,687 S \* 6/2010 Brady ..... D12/111

D636,298 S \* 4/2011 Yang ..... D12/111

D654,403 S \* 2/2012 Kyu ..... D12/111

D689,409 S \* 9/2013 Yap ..... D12/111

D727,215 S \* 4/2015 Yang ..... D12/111

D730,778 S \* 6/2015 Harness ..... D12/111

D756,264 S \* 5/2016 Thompson ..... D12/111

D774,968 S \* 12/2016 Humphries ..... D12/111

\* cited by examiner

*Primary Examiner* — Darlington Ly

(74) *Attorney, Agent, or Firm* — Justin Lampel

(57) **CLAIM**

The ornamental design for a electric bicycle, as shown and described.

**DESCRIPTION**

FIG. 1 is a top, front, and left side perspective view of the electric bicycle showing my new design;

FIG. 2 is a left side elevation view thereof;

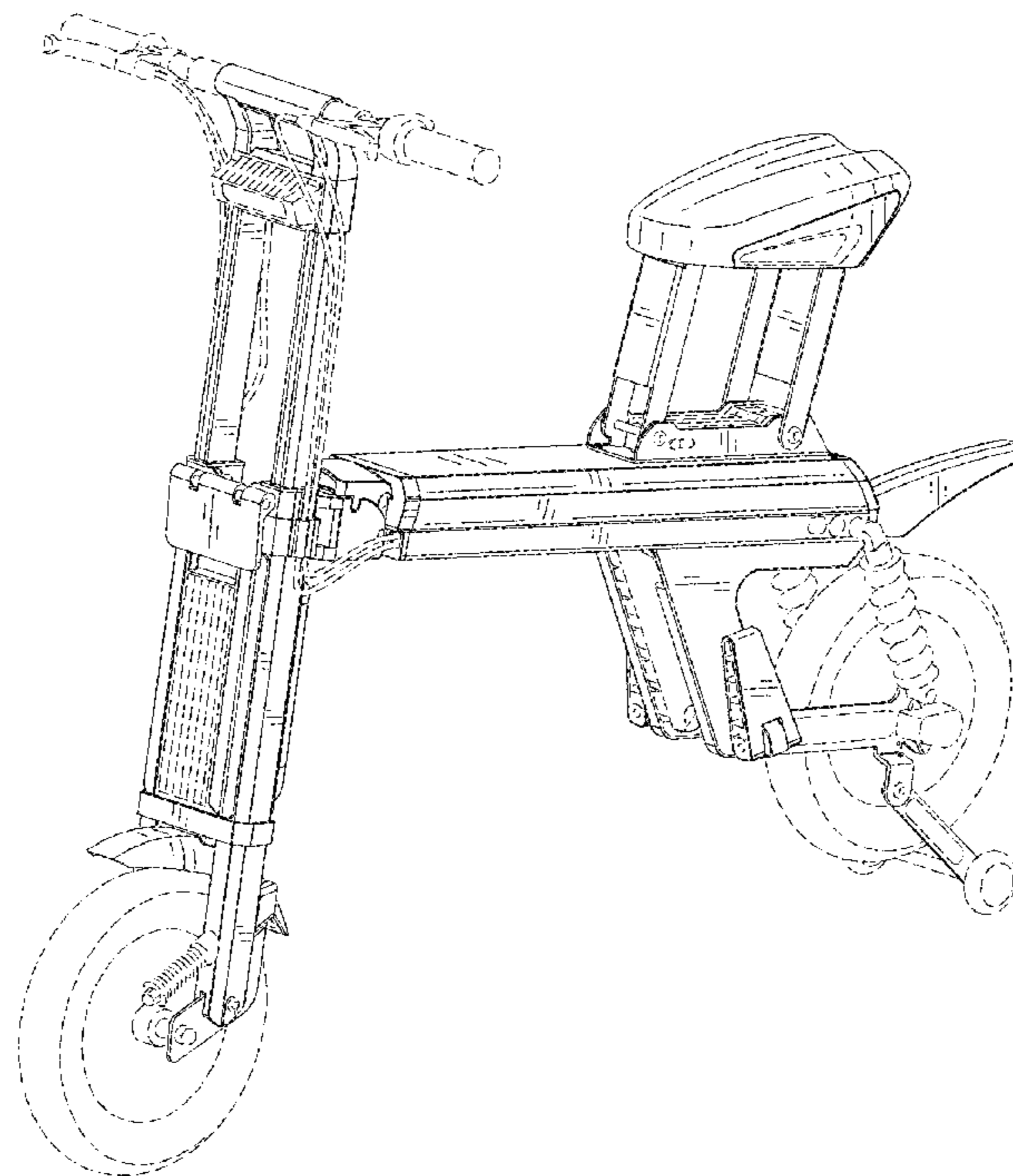
FIG. 3 is a right side elevation view thereof;

FIG. 4 is a front elevation view thereof; and,

FIG. 5 is a top plan view thereof.

The broken lines in the drawings illustrate portions of the electric bicycle that form no part of the claimed design.

**1 Claim, 5 Drawing Sheets**



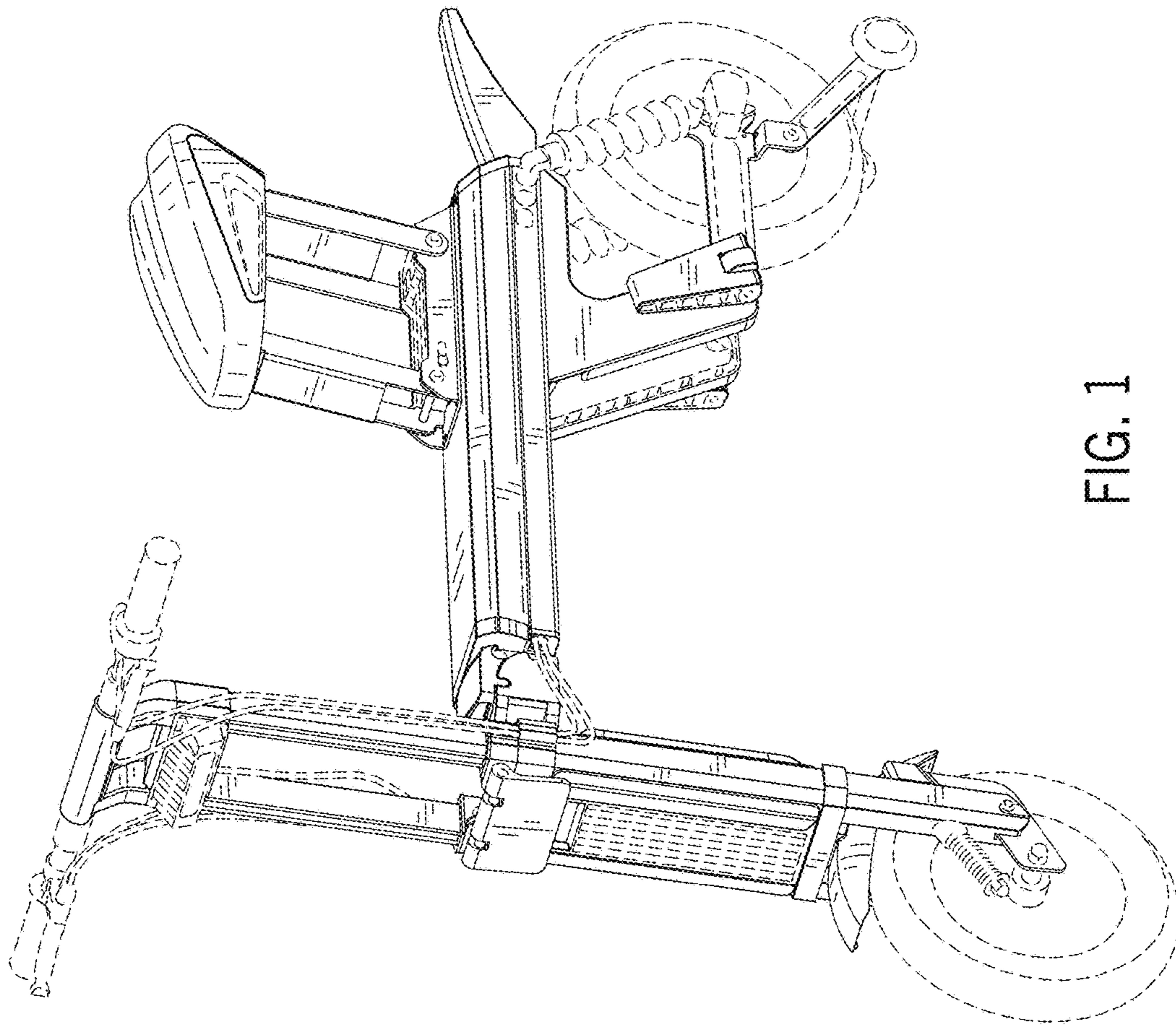


FIG. 1

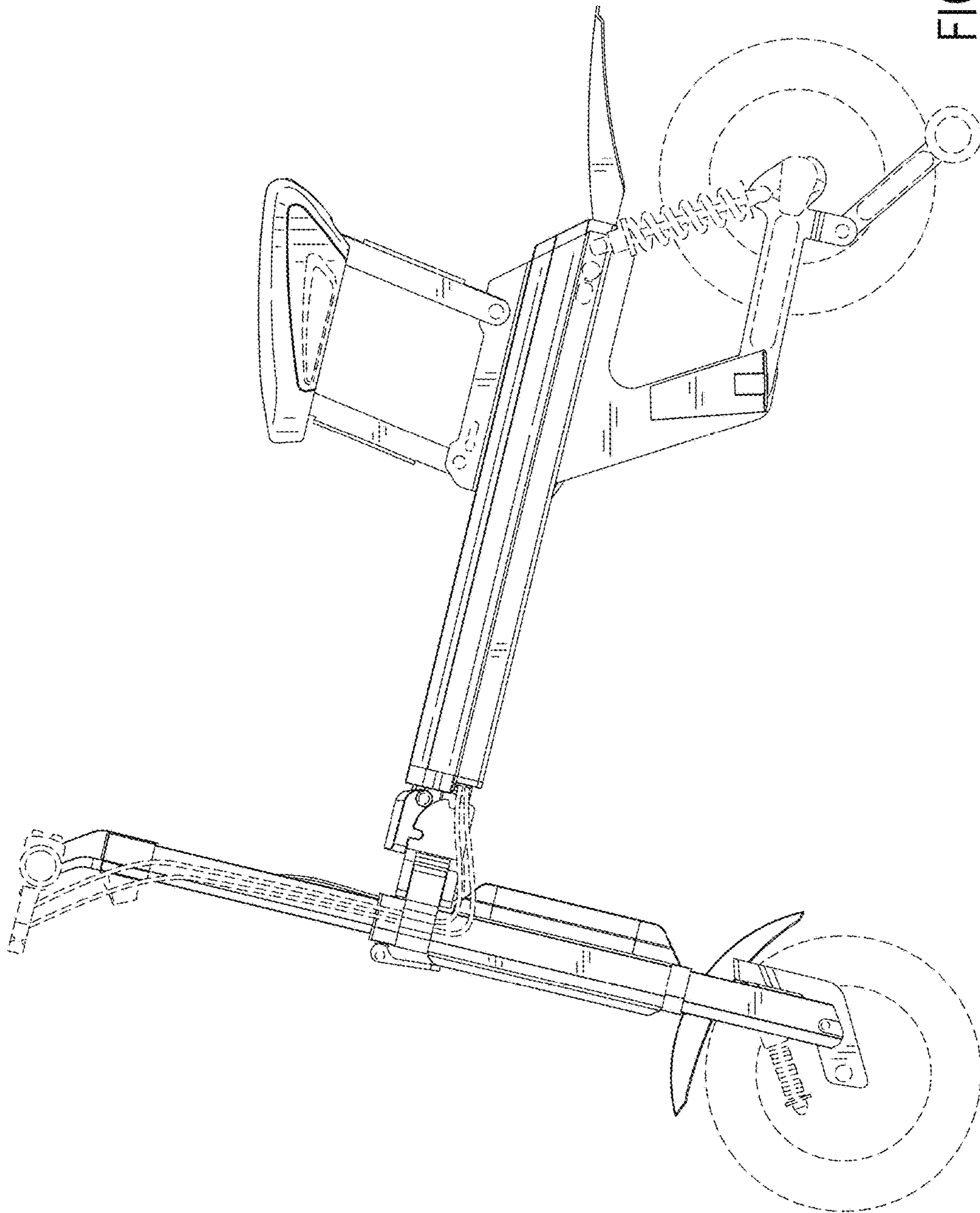


FIG. 2

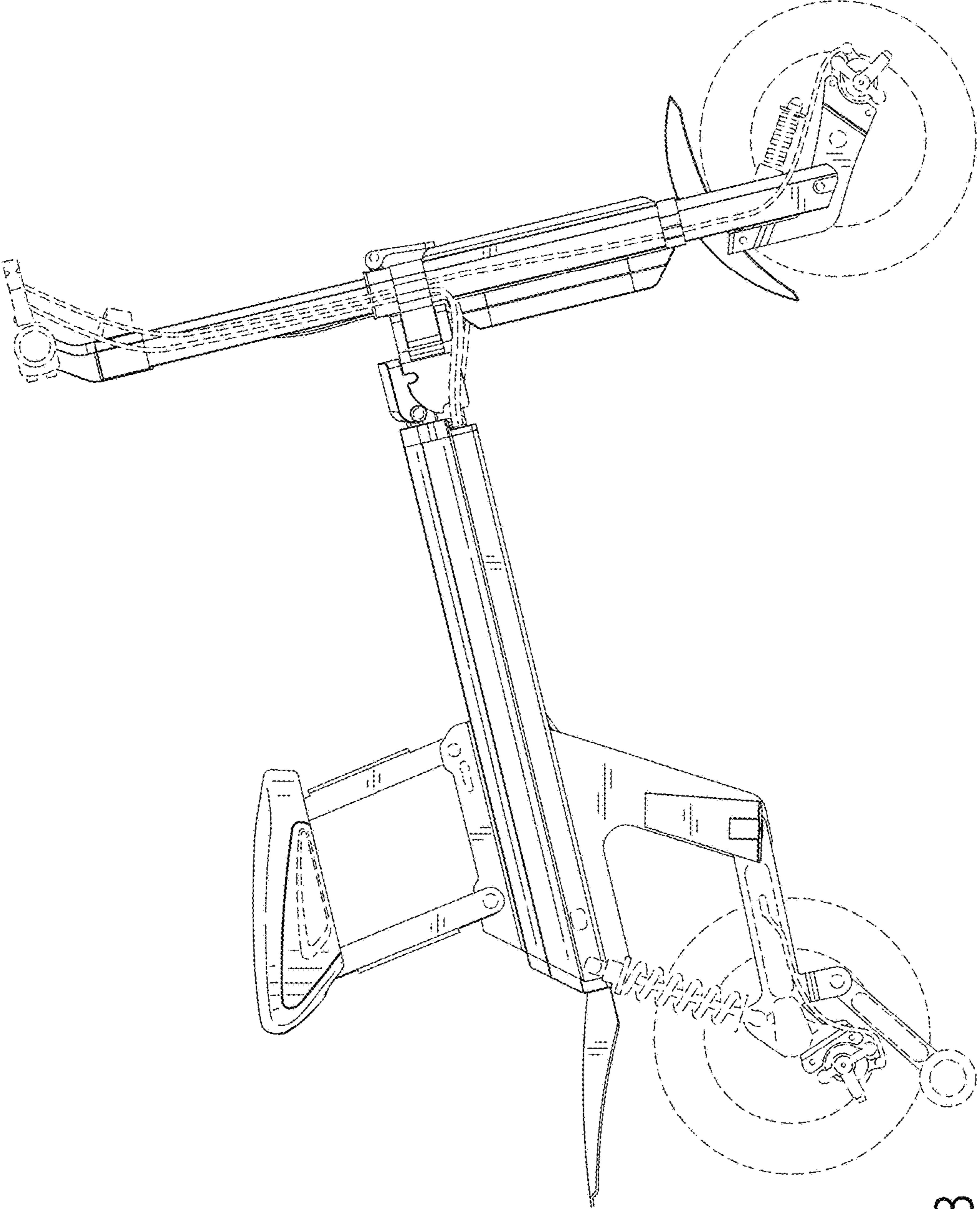


FIG. 3

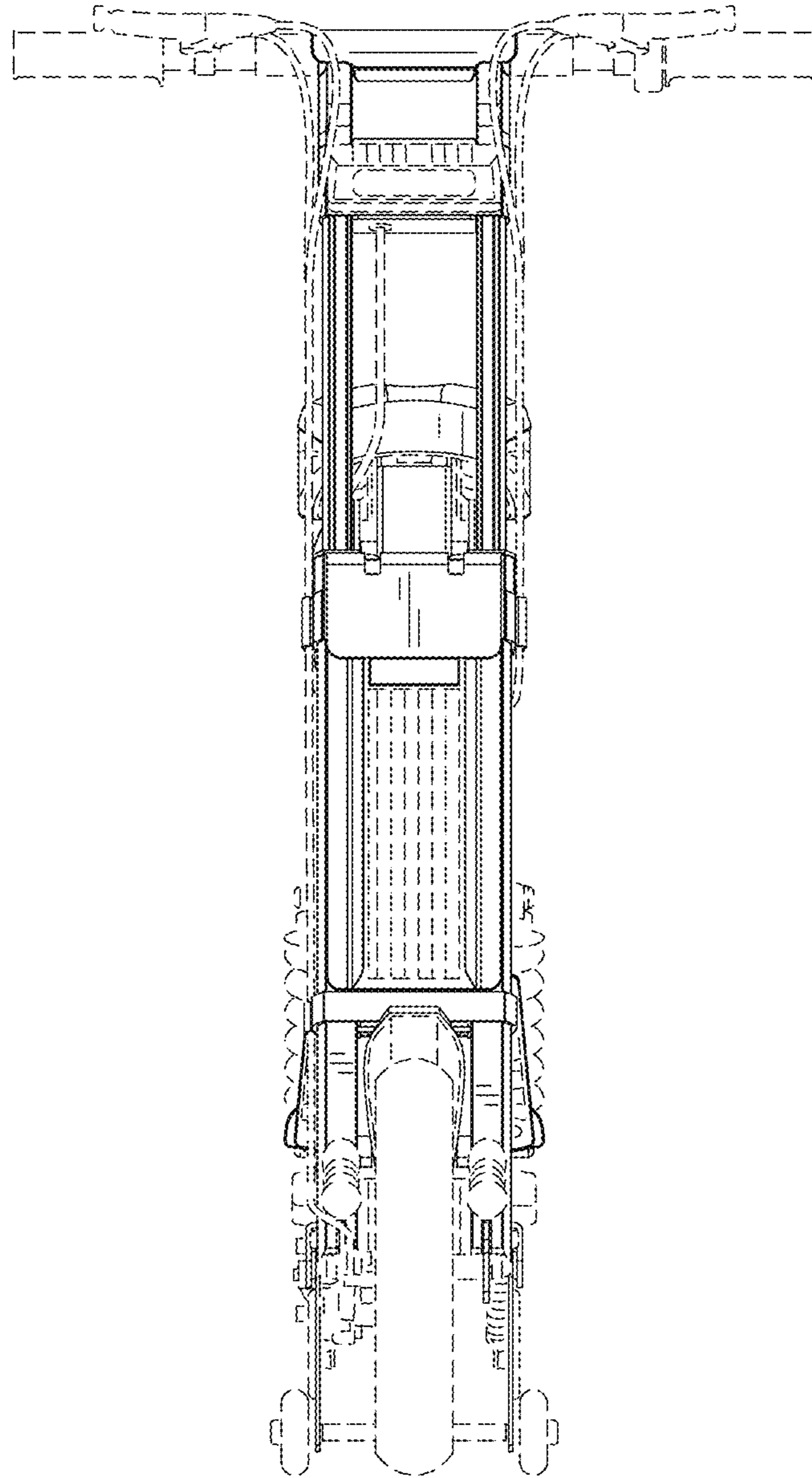


FIG. 4

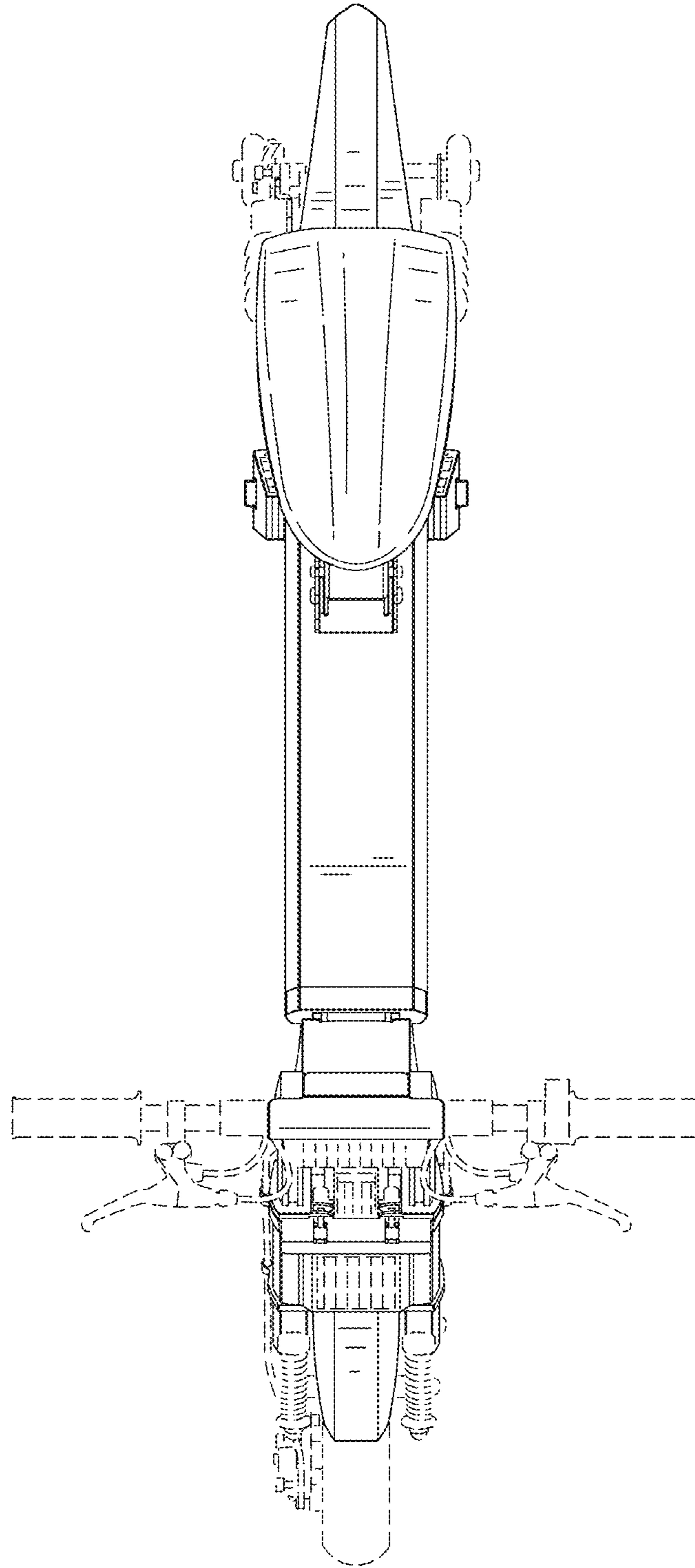


FIG. 5