



US00D814358S

(12) **United States Design Patent** (10) **Patent No.:** **US D814,358 S**  
**Norfleet et al.** (45) **Date of Patent:** **\*\* Apr. 3, 2018**

(54) **SAFETY BUMPER FOR A TRAILER TAILGATE**

(71) Applicant: **Backsaver International, Inc.**,  
Somerset, KY (US)

(72) Inventors: **Ralph Nurfleet**, Somerset, KY (US);  
**Jason Nurfleet**, Somerset, KY (US)

(73) Assignee: **BACKSAVER INTERNATIONAL, INC.**, Somerset, KY (US)

(\*\*) Term: **15 Years**

(21) Appl. No.: **29/564,004**

(22) Filed: **May 10, 2016**

(51) **LOC (11) Cl.** ..... **12-10**

(52) **U.S. Cl.**  
USPC ..... **D12/106**

(58) **Field of Classification Search**  
USPC ..... D12/106; D8/382, 402, 403; D14/217;  
D25/48.8, 102  
CPC .. E04F 19/0486; B62D 5/0055; B62B 5/0006  
See application file for complete search history.

(56) **References Cited**

U.S. PATENT DOCUMENTS

D221,958 S \* 9/1971 Finehaum ..... D8/403  
D231,430 S \* 4/1974 Steinhauser ..... D25/48.8  
D259,083 S \* 5/1981 Riegsecker ..... D8/382  
5,037,027 A \* 8/1991 Nichols ..... B65D 5/0055  
206/512  
D325,835 S \* 5/1992 Sollner ..... D14/217  
D356,946 S \* 4/1995 Rekuc ..... D8/403

D460,263 S \* 7/2002 Bradford ..... D3/318  
D465,033 S \* 10/2002 Messier ..... D25/102  
D571,644 S \* 6/2008 Ilang ..... D8/382  
D625,595 S \* 10/2010 Park ..... D8/402  
D795,467 S \* 8/2017 Mort ..... D25/102  
2008/0066404 A1\* 3/2008 Beard, Jr. .... E04F 19/0486  
52/287.1  
2008/0149649 A1\* 6/2008 Knupfer ..... B62B 5/0006  
220/694

\* cited by examiner

*Primary Examiner* — Karen S Acker

*Assistant Examiner* — Jerry Shiuang-Hua Hsu

(74) *Attorney, Agent, or Firm* — King & Schickli, PLLC

(57) **CLAIM**

The ornamental design for a safety bumper for a trailer tailgate, as shown and described.

**DESCRIPTION**

FIG. 1 is an isometric bottom view of the safety bumper for a trailer tailgate in a state of use; the broken lines illustrating a trailer tailgate frame represent environment that forms no part of the claim;

FIG. 2 is an isometric top view of the safety bumper for a trailer tailgate of FIG. 1;

FIG. 3 is an isometric bottom view thereof;

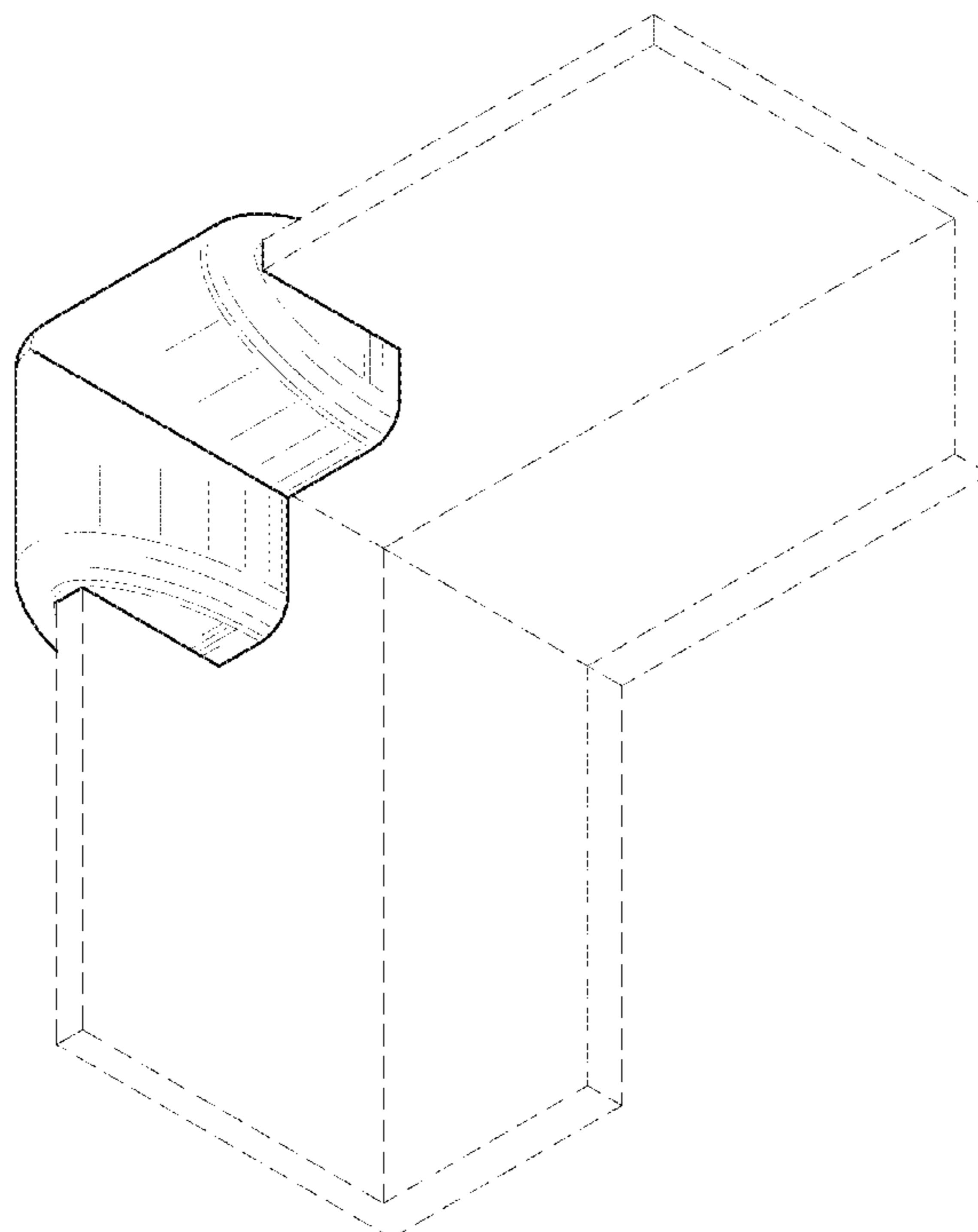
FIG. 4 is a top view thereof;

FIG. 5 is a front view thereof;

FIG. 6 is a bottom view thereof; and,

FIG. 7 is a right side view thereof, the left side view being a mirror image thereof.

**1 Claim, 5 Drawing Sheets**



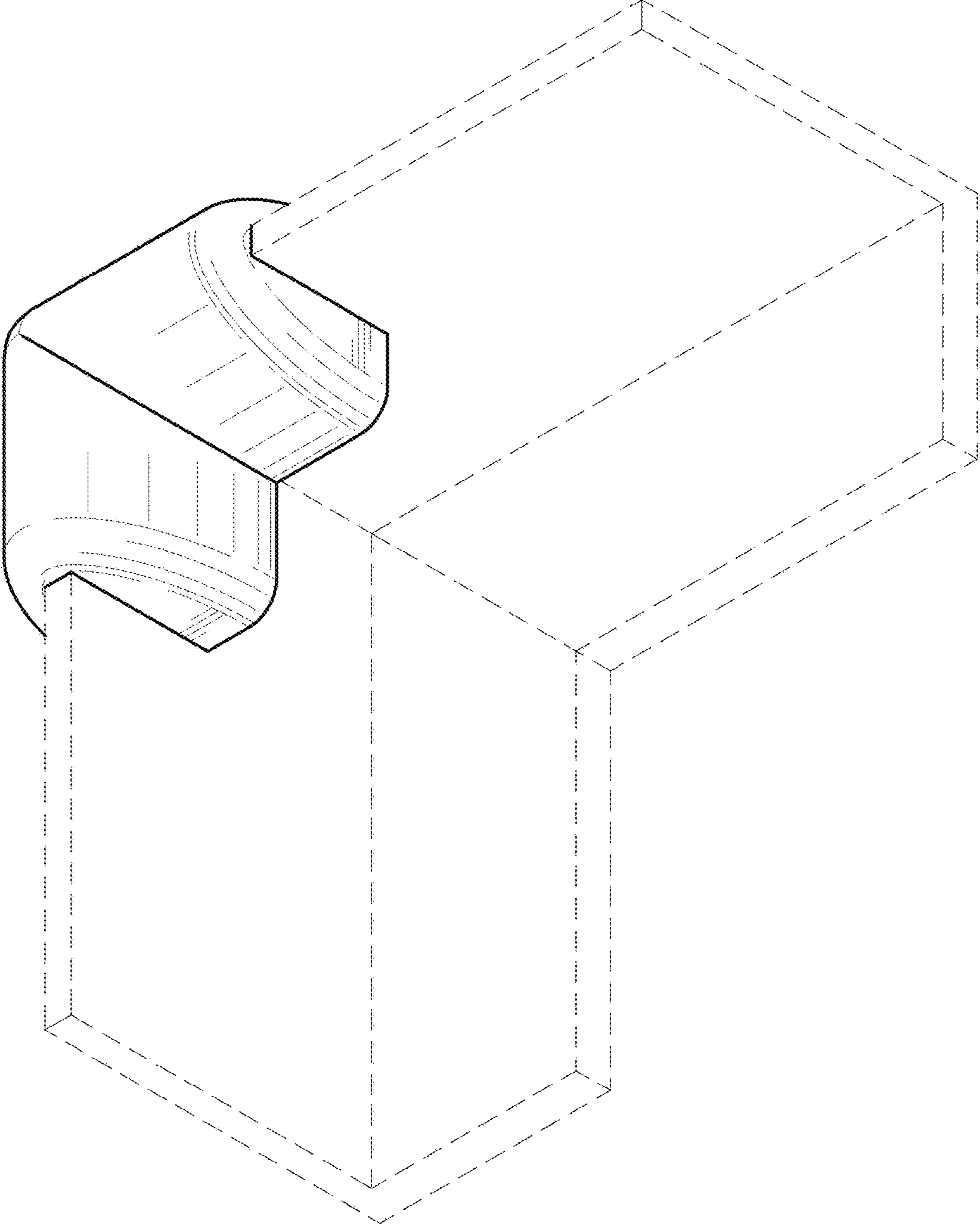


FIG. 1

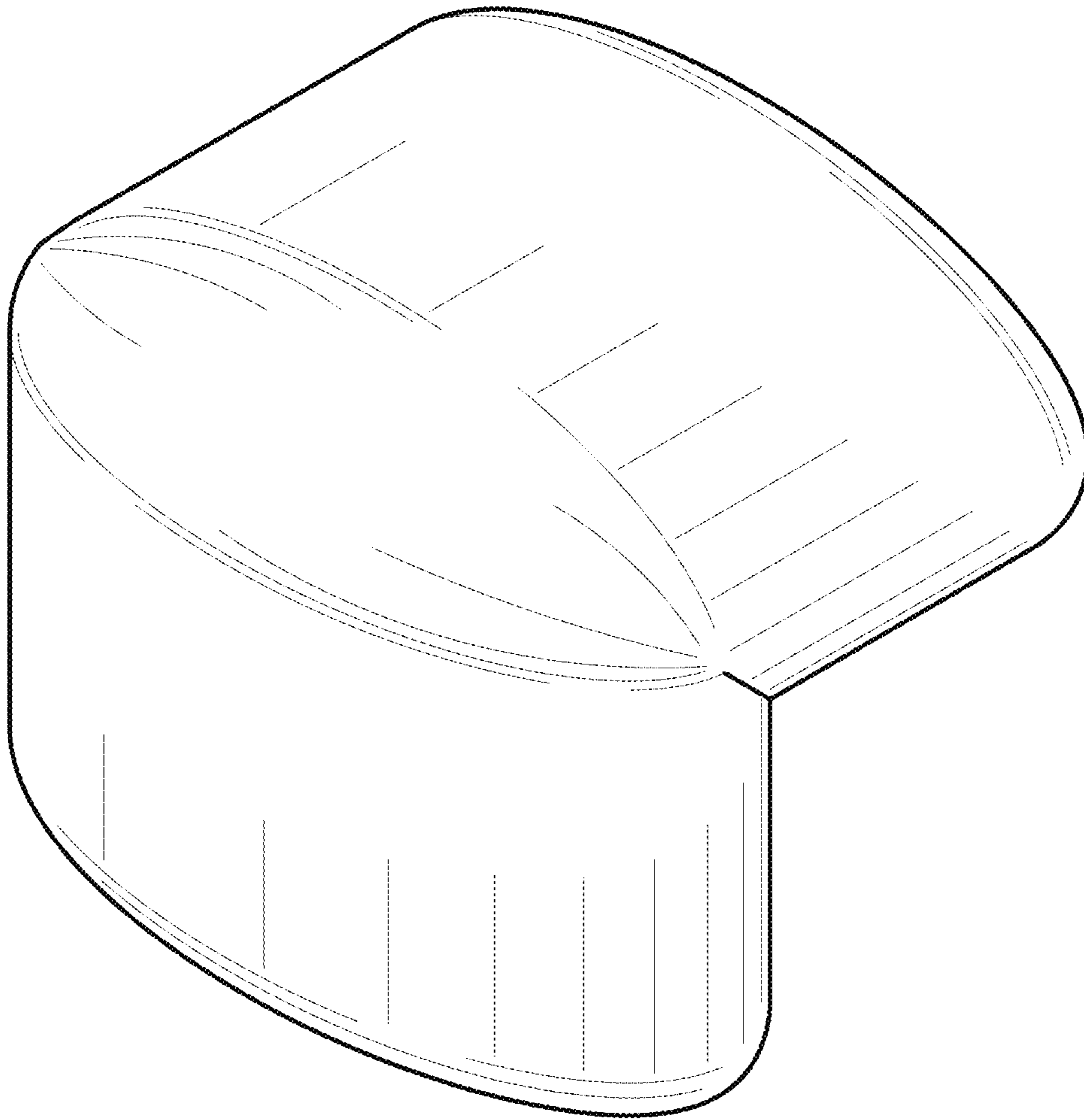


FIG. 2

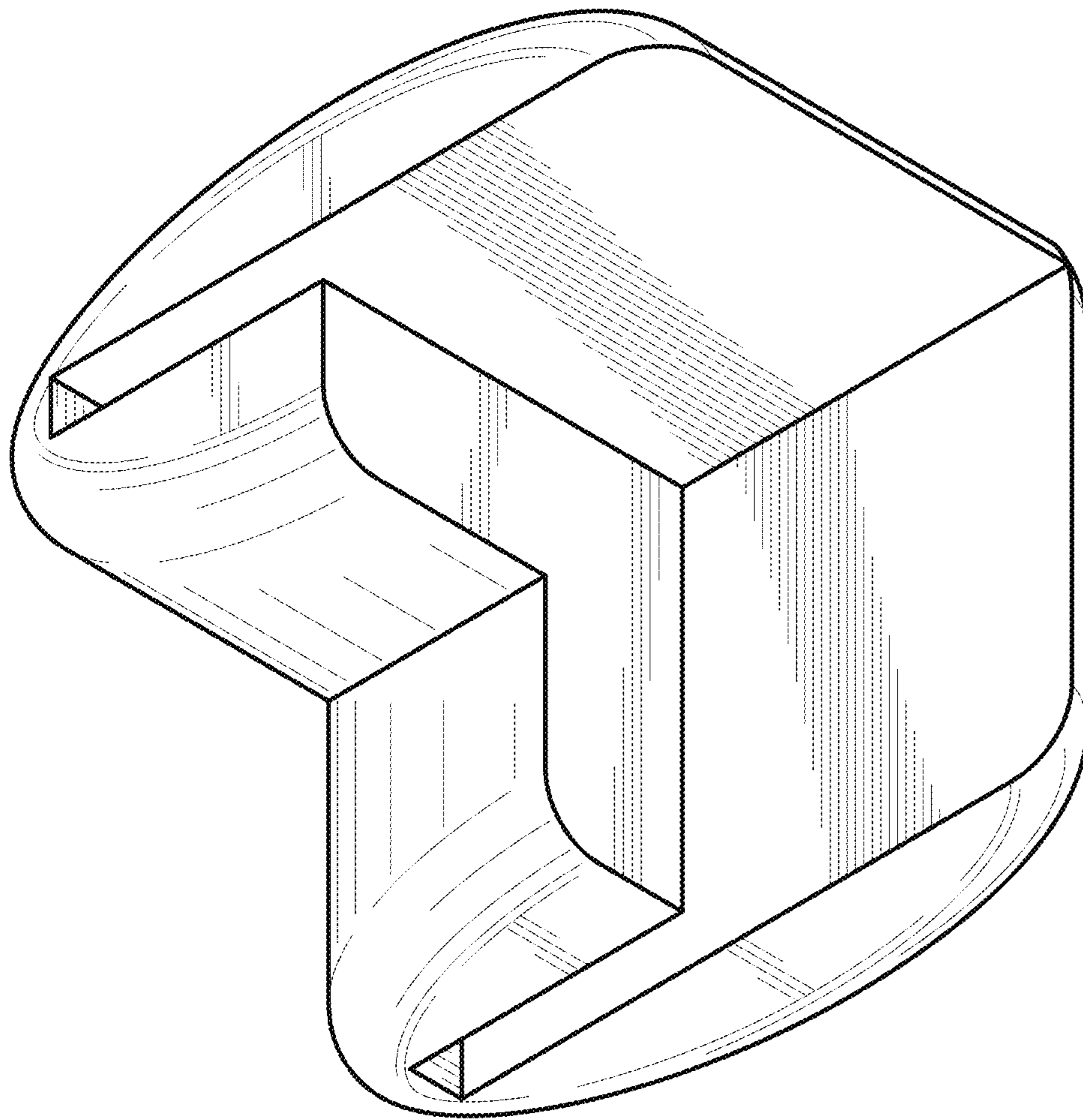


FIG. 3

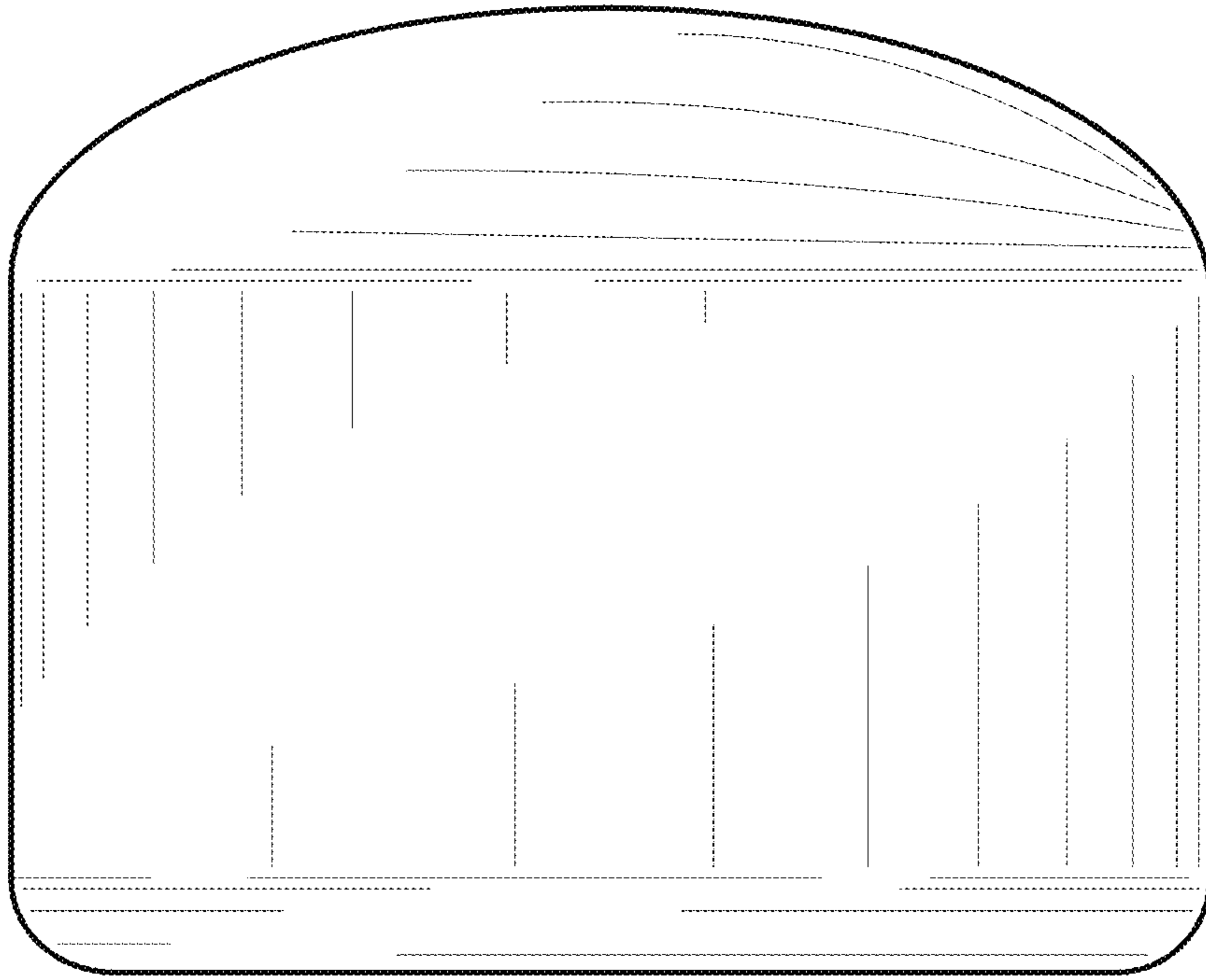


FIG. 4

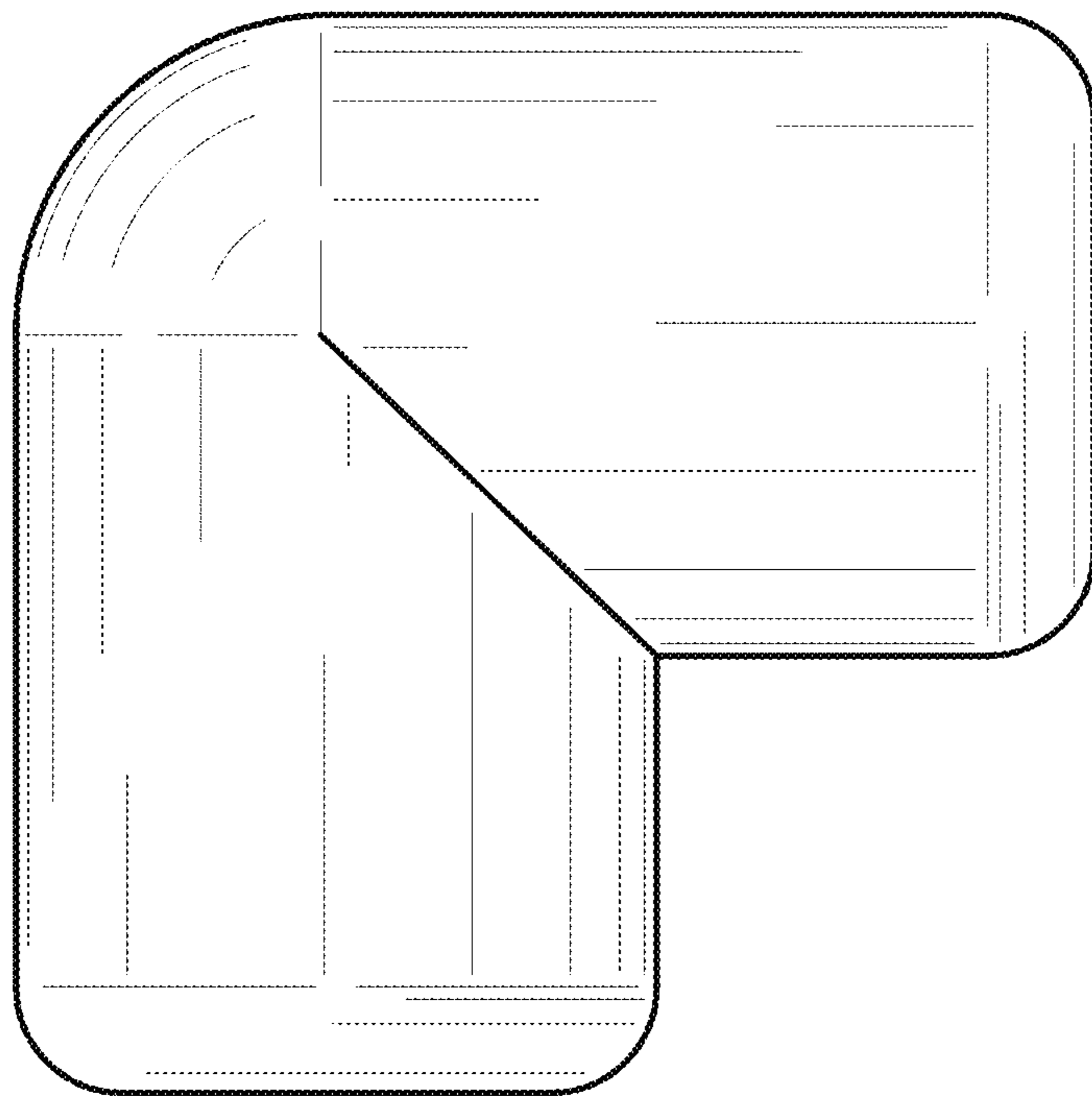


FIG. 5



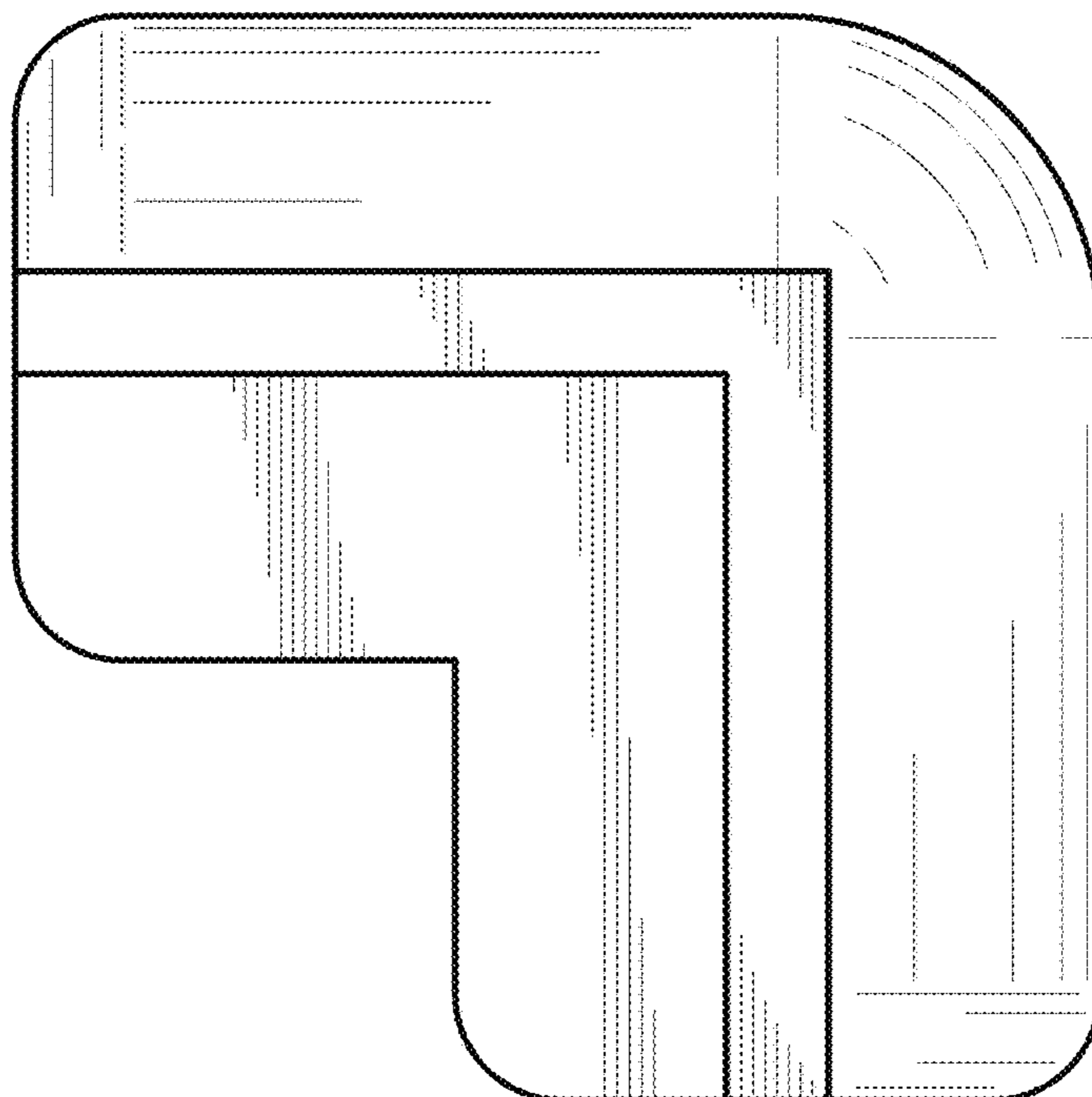


FIG. 6

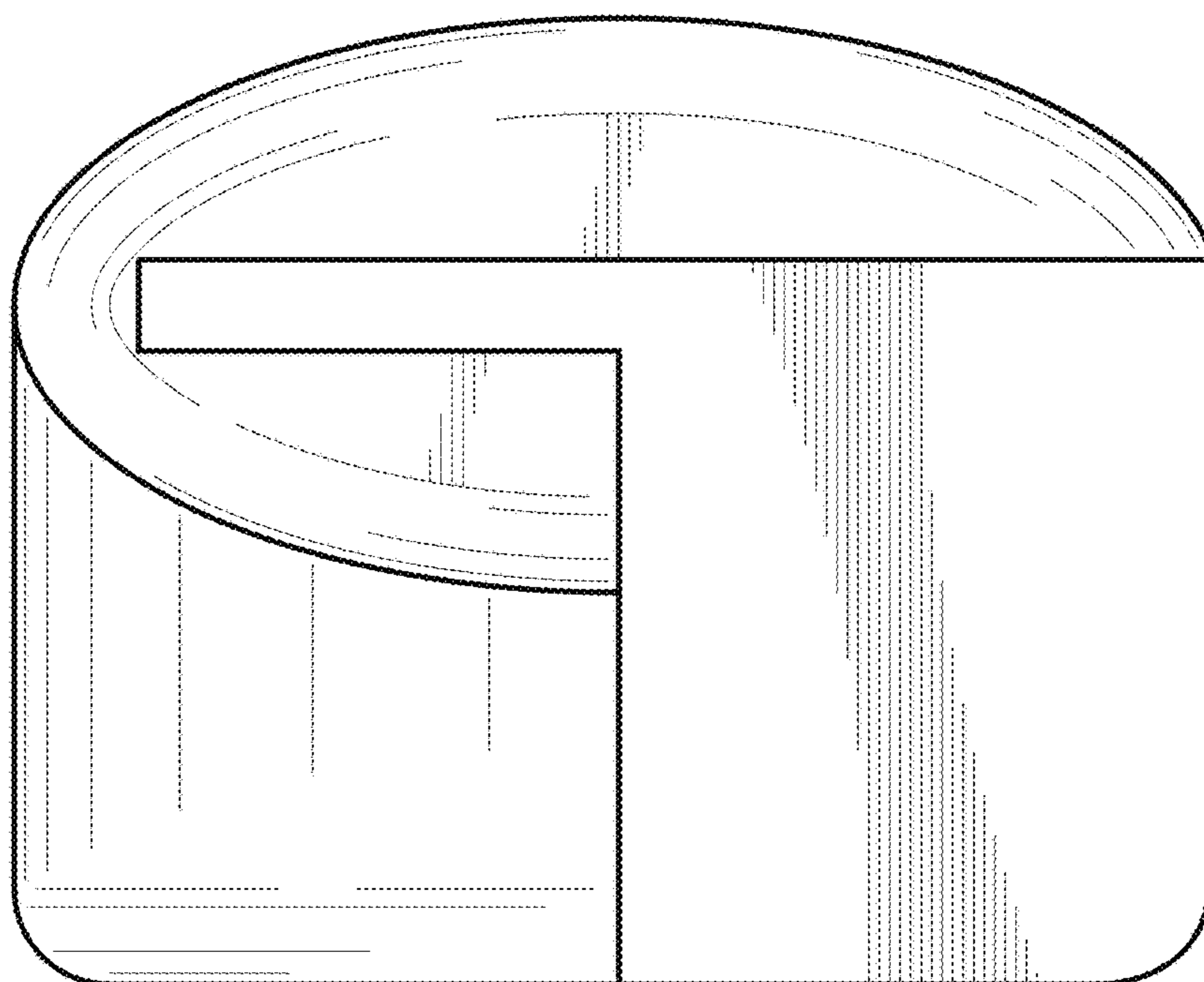


FIG. 7