



US00D814357S

(12) **United States Design Patent**
Milton et al.

(10) **Patent No.:** **US D814,357 S**
(45) **Date of Patent:** **** Apr. 3, 2018**

(54) **SEMI-TRUCK**
(71) Applicant: **Bluegentech LLC**, Salt Lake City, UT (US)
(72) Inventors: **Trevor R. Milton**, Salt Lake City, UT (US); **Steve Jennes**, Fullerton, CA (US)
(73) Assignee: **Nikola Corporation**, Salt Lake City, UT (US)
(**) Term: **15 Years**
(21) Appl. No.: **29/550,182**

D399,792 S * 10/1998 Hellhake D12/96
D423,990 S * 5/2000 Meryman D12/96
D465,749 S * 11/2002 Beigel D12/96
7,232,179 B1 * 6/2007 Racz B62D 33/0612
296/190.02
D626,890 S * 11/2010 Cantemir D12/12
D719,879 S * 12/2014 Ito D12/96

* cited by examiner

Primary Examiner — Daniel Bui
Assistant Examiner — Andrew Kerr
(74) *Attorney, Agent, or Firm* — Terrence J. Edwards;
TechLaw Ventures, PLLC

(22) Filed: **Dec. 30, 2015**
(51) **LOC (11) Cl.** **12-08**
(52) **U.S. Cl.**
USPC **D12/93**
(58) **Field of Classification Search**
USPC D12/93, 96, 99, 94, 190, 192, 196, 83,
D12/181, 163, 164, 169, 167, 171, 216,
D12/86, 90, 91, 92; 180/89.13; 296/22,
296/24.3, 24.36
CPC B62D 24/00; B62D 24/02; B62D 25/02;
B62D 25/18; B62D 25/08; B62D 35/00;
B60J 5/04; B60R 19/02; B60R 19/04;
B60P 1/00; B60P 3/00
See application file for complete search history.

(57) **CLAIM**

We claim the ornamental design for a semi-truck, as shown and described.

DESCRIPTION

FIG. 1 is a front and right perspective view for a semi-truck showing our new design;
FIG. 2 is a rear perspective view thereof;
FIG. 3 is a top view thereof;
FIG. 4 is a right side view thereof;
FIG. 5 is a left side view thereof;
FIG. 6 is a front view thereof; and,
FIG. 7 is a rear view thereof.

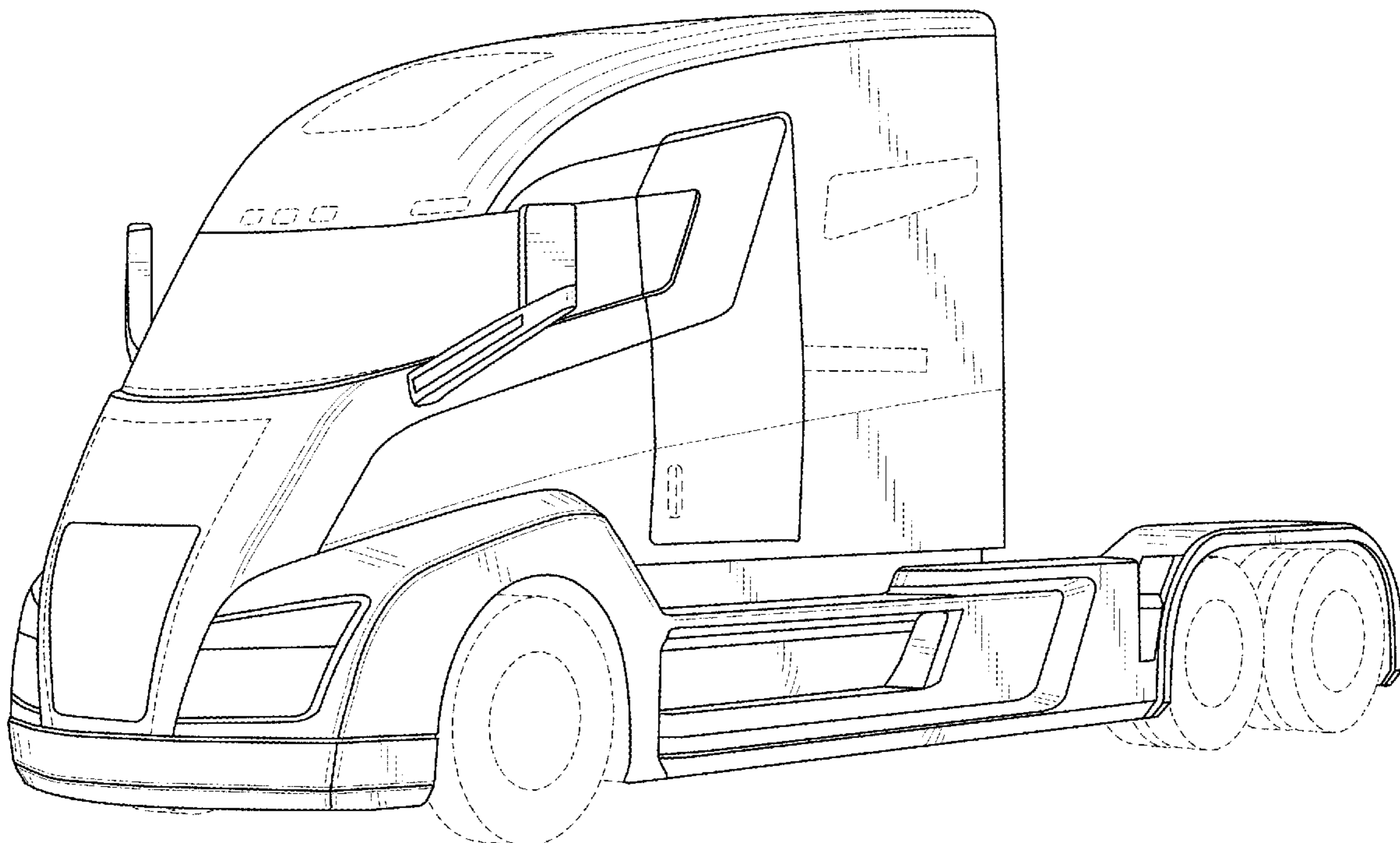
The broken lines in the drawing views represent unclaimed portions of a semi-truck, which are included for the purpose of illustrating unclaimed environment only, and forms no part of the claimed design.

(56) **References Cited**

U.S. PATENT DOCUMENTS

D339,314 S * 9/1993 Moar D12/96
D357,436 S * 4/1995 Moar D12/96

1 Claim, 6 Drawing Sheets



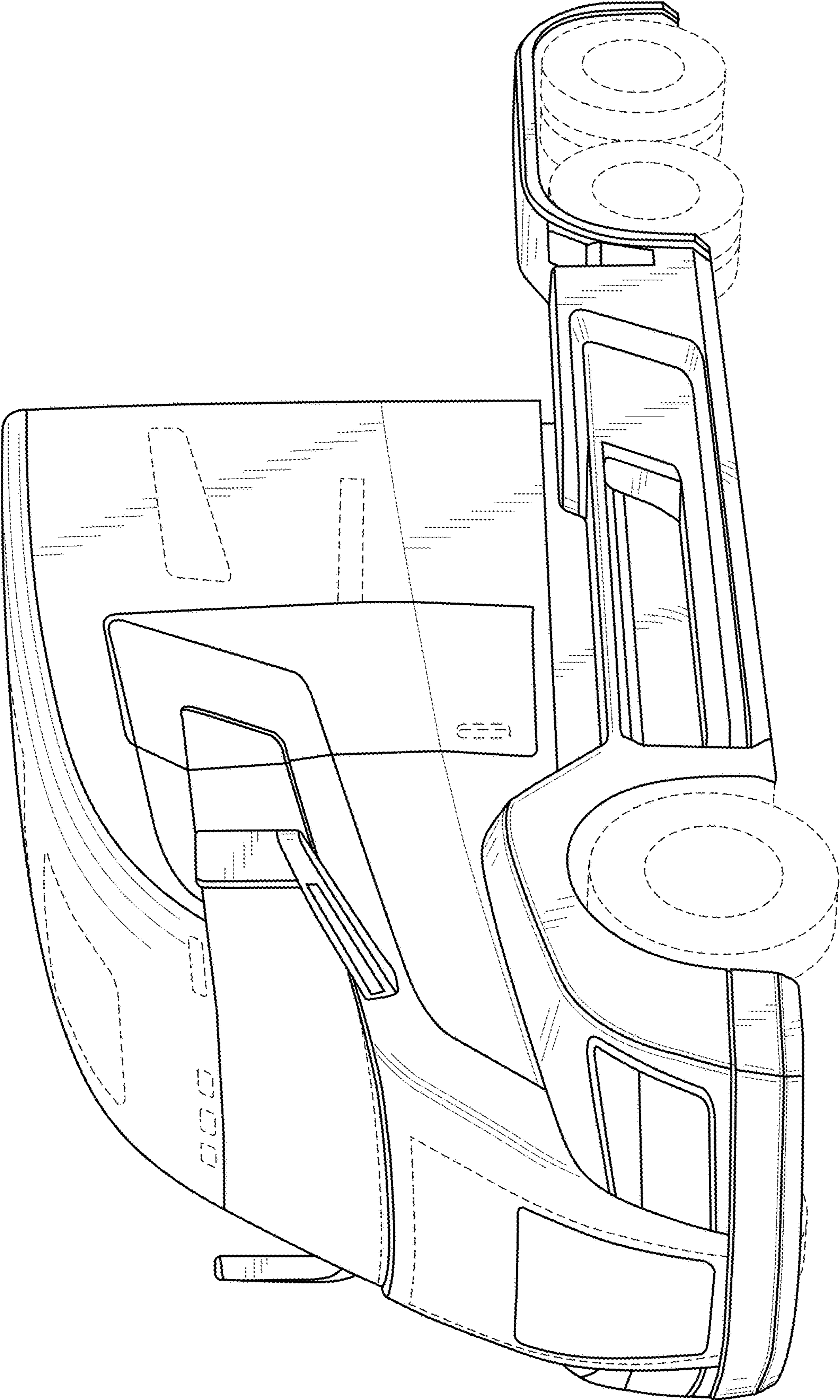


FIG. 1

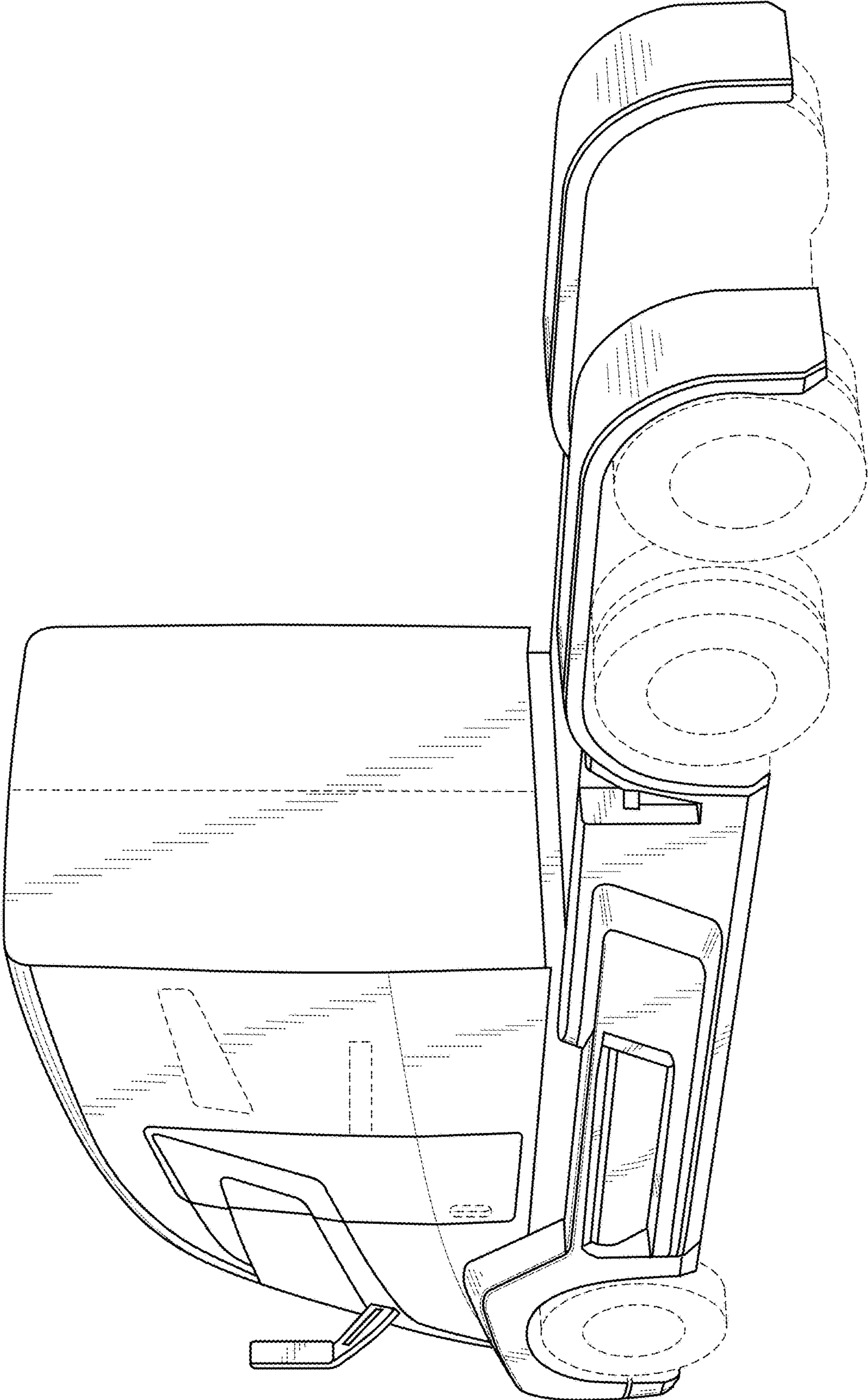


FIG. 2

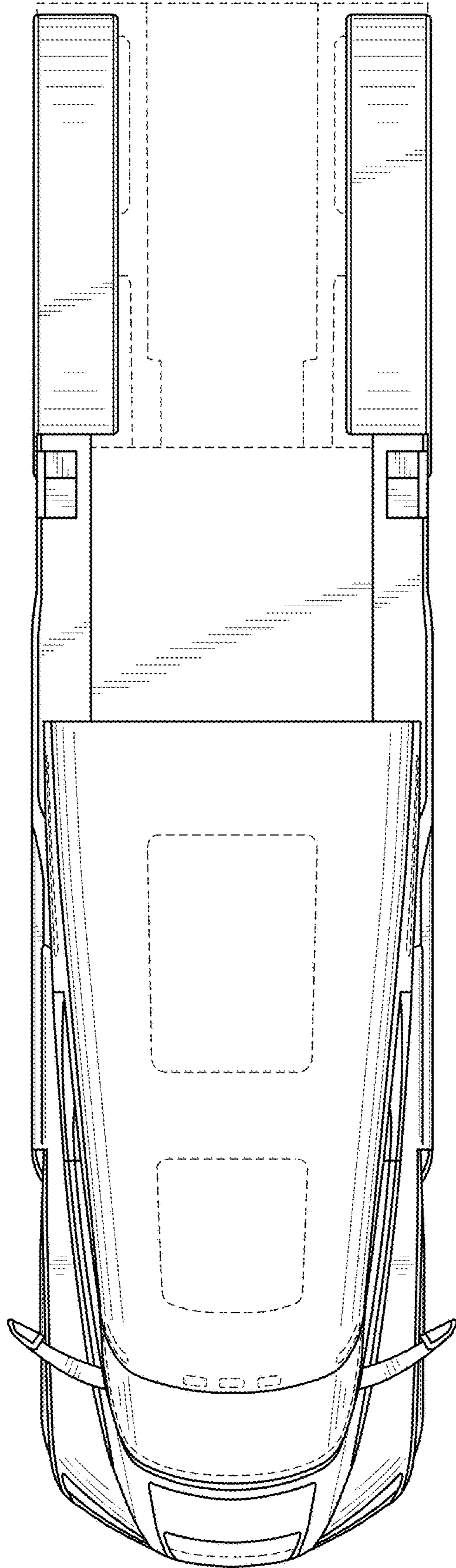


FIG. 3

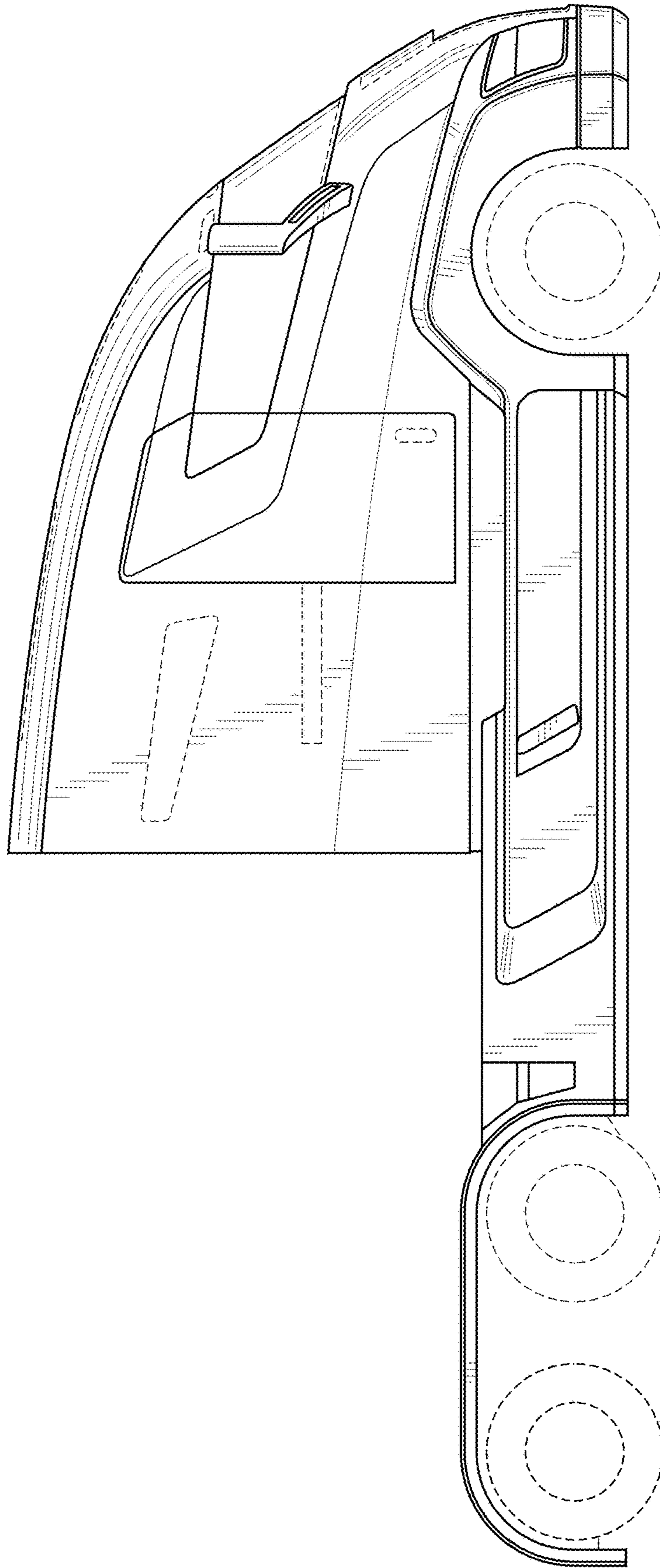


FIG. 4

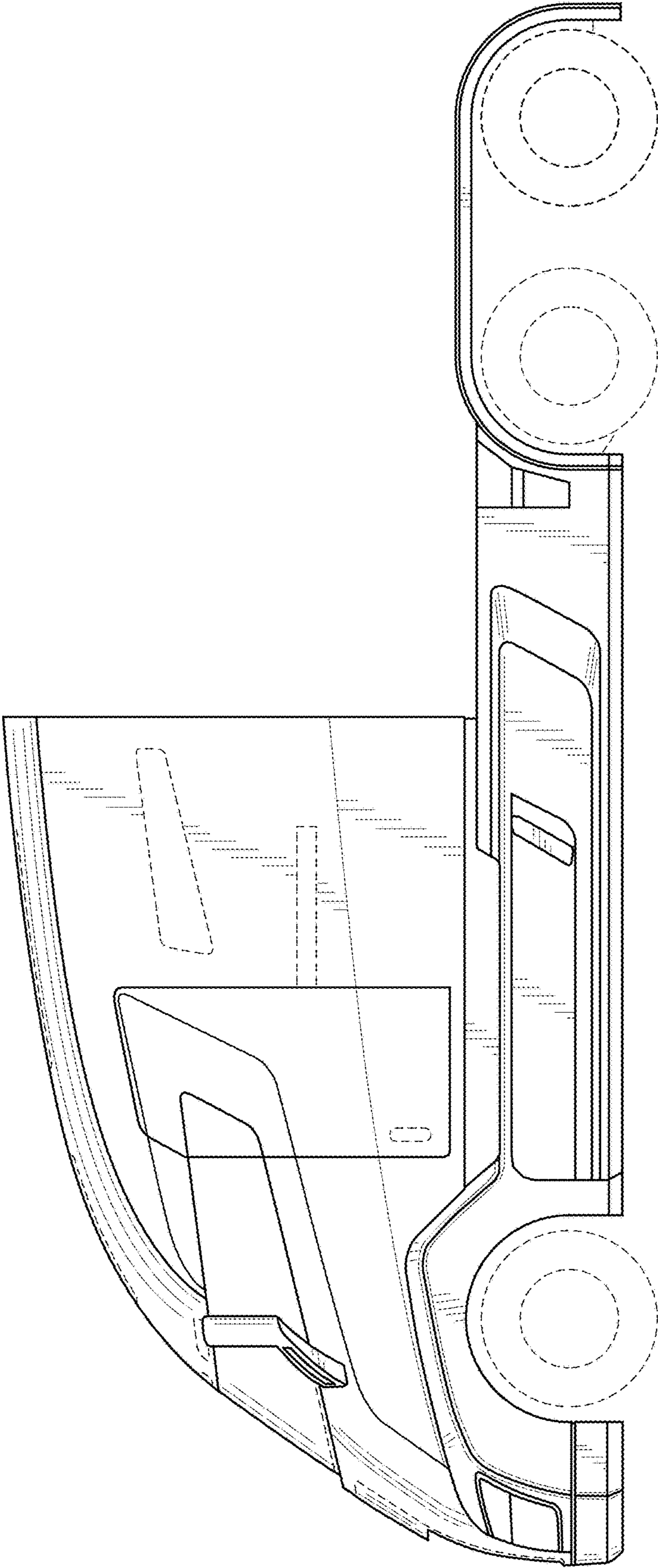


FIG. 5

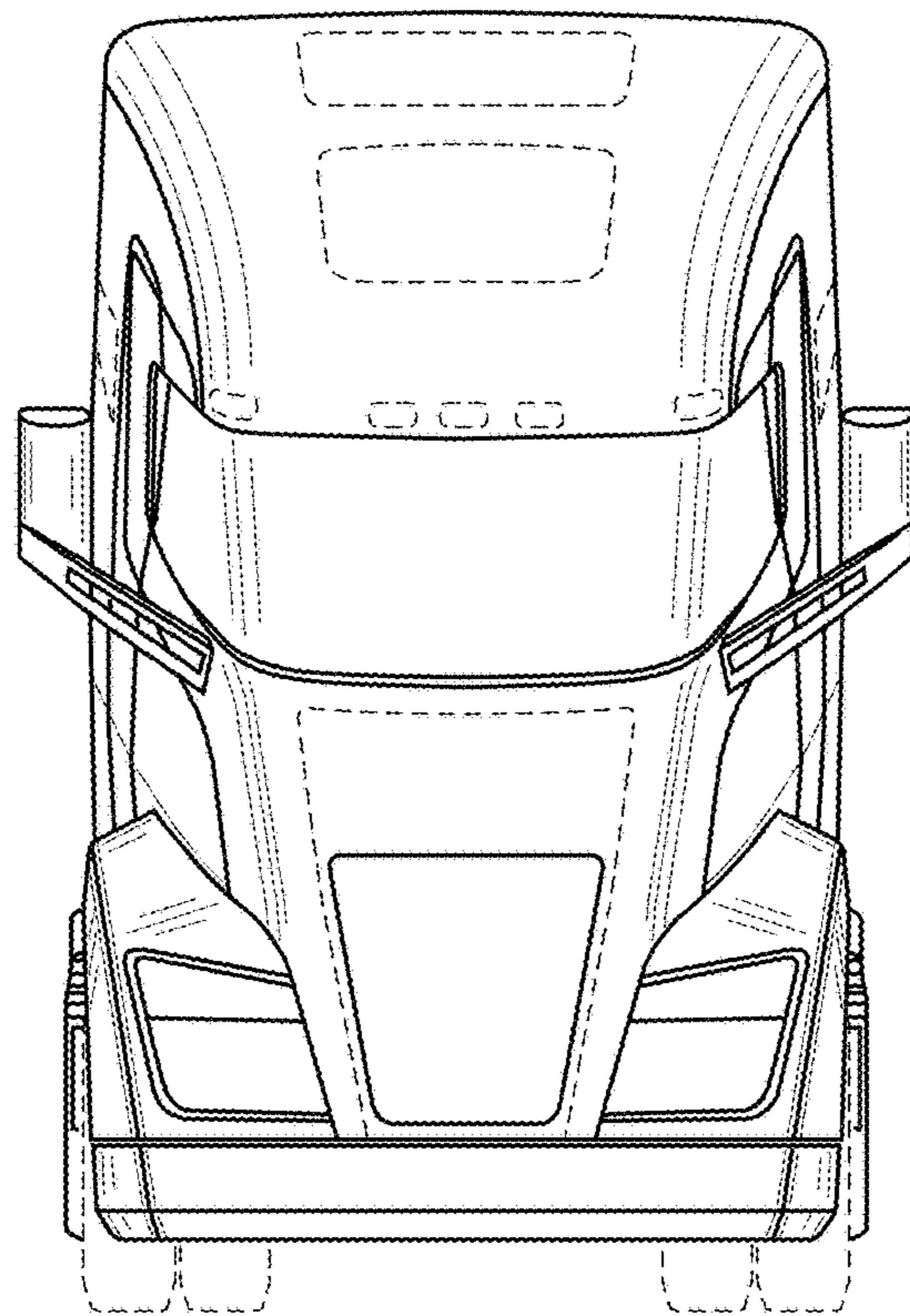


FIG. 6

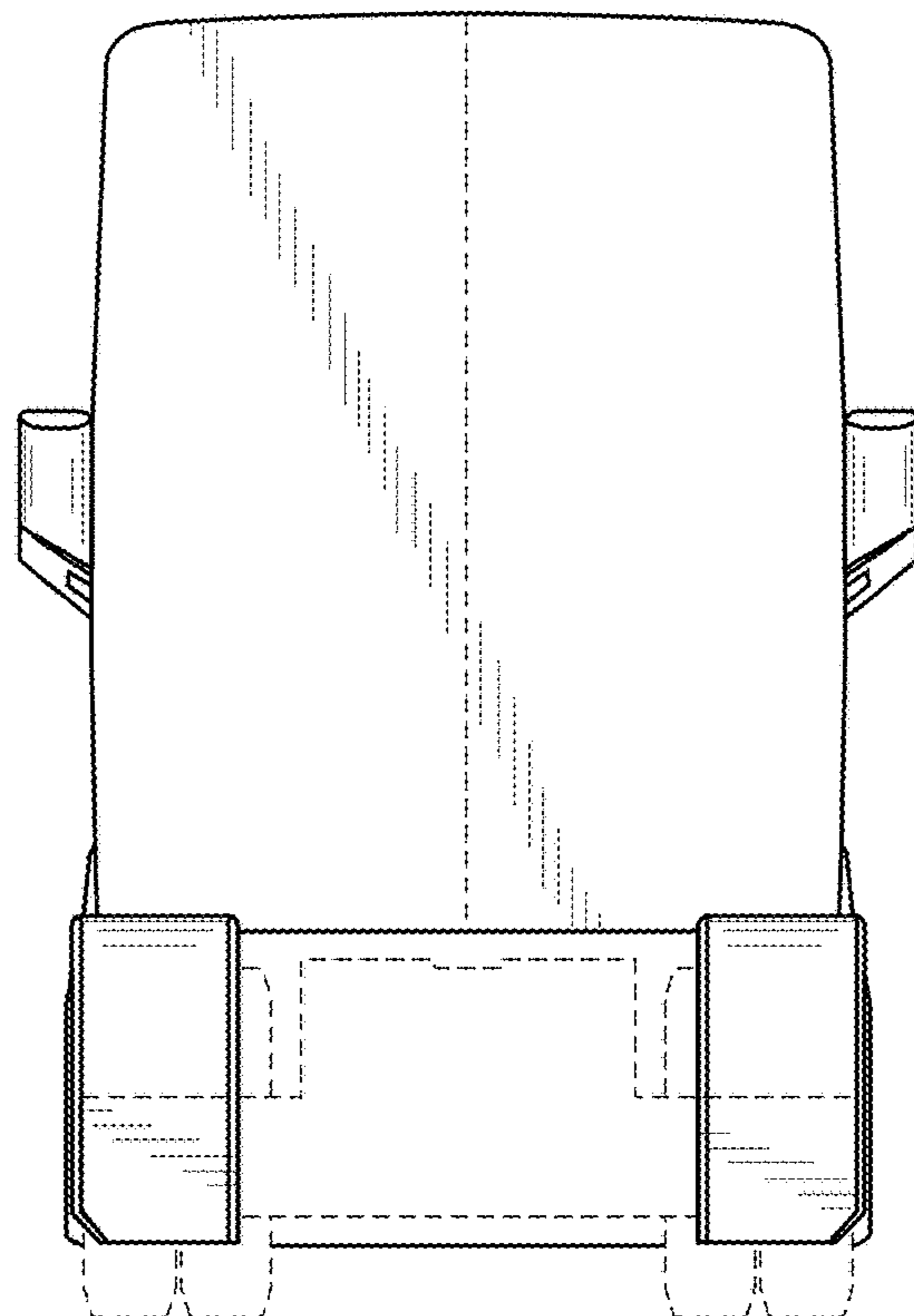


FIG. 7