



US00D814356S

(12) **United States Design Patent**  
**Lamberty et al.**

(10) **Patent No.:** **US D814,356 S**  
(45) **Date of Patent:** **\*\* Apr. 3, 2018**

(54) **MOTOR VEHICLE, TOY AND/OR OTHER REPLICAS THEREOF**

D802,483 S \* 11/2017 Fahr-Becker ..... D12/92  
D804,358 S \* 12/2017 Brendel ..... D12/91  
D804,362 S \* 12/2017 Jung ..... D12/92

(71) Applicant: **AUDI AG**, Ingolstadt (DE)

FOREIGN PATENT DOCUMENTS

(72) Inventors: **Frank Lamberty**, Ingolstadt (DE);  
**Stephan Fahr-Becker**, Ingolstadt (DE)

KR 300748966 B3 6/2013

(73) Assignee: **AUDI AG**, Ingolstadt (DE)

OTHER PUBLICATIONS

(\*\*) Term: **15 Years**

Canadian Office Action, dated Jan. 15, 2018.

(21) Appl. No.: **29/594,167**

\* cited by examiner

(22) Filed: **Feb. 16, 2017**

*Primary Examiner* — Melody N Brown

(30) **Foreign Application Priority Data**

(74) *Attorney, Agent, or Firm* — Lucas & Mercanti, LLP;  
Klaus P. Stoffel

Sep. 16, 2016 (EM) ..... 003 381 466-0001  
Sep. 16, 2016 (EM) ..... 003 381 466-0002  
Sep. 16, 2016 (EM) ..... 003 381 474-0001

(57) **CLAIM**

The ornamental design for a motor vehicle, toy and/or other replicas thereof, as shown and described.

(51) **LOC (11) Cl.** ..... **12-08**

(52) **U.S. Cl.**  
USPC ..... **D12/92**

**DESCRIPTION**

(58) **Field of Classification Search**  
USPC ..... D12/86, 90-92, 88; D21/421, 433, 434;  
296/181.1, 181.5  
CPC ..... B62D 35/00; B62D 25/00; B62D 25/06;  
B62D 33/00  
See application file for complete search history.

FIG. 1 is a front and right side perspective view of a motor vehicle, toy and/or other replicas thereof of the present invention with the convertible top open;  
FIG. 2 is a rear and right side perspective view thereof;  
FIG. 3 is a front view thereof;  
FIG. 4 is a rear view thereof;  
FIG. 5 is a left side view thereof;  
FIG. 6 is a right side view thereof;  
FIG. 7 is a top view thereof;  
FIG. 8 is a front and right side perspective view thereof with the convertible top closed;  
FIG. 9 is a rear and right side perspective view thereof;  
FIG. 10 is a front view thereof;  
FIG. 11 is a rear view thereof;  
FIG. 12 is a left side view thereof;  
FIG. 13 is a right side view thereof; and,  
FIG. 14 is a top view thereof.

The wheels, headlights and taillights of the motor vehicle do not form part of the claimed design.

(56) **References Cited**

U.S. PATENT DOCUMENTS

D736,672 S \* 8/2015 Lamberty ..... D12/92  
D737,175 S \* 8/2015 Telaak ..... D12/92  
D738,788 S \* 9/2015 Garand ..... D12/92  
D761,697 S \* 7/2016 Bischoff ..... D12/92  
D769,155 S \* 10/2016 Garand ..... D12/92  
D775,550 S \* 1/2017 Liese ..... D12/92  
D783,457 S \* 4/2017 Wehrli ..... D12/92  
D793,910 S \* 8/2017 Liese ..... D12/92  
D801,873 S \* 11/2017 Lamberty ..... D12/92

**1 Claim, 8 Drawing Sheets**

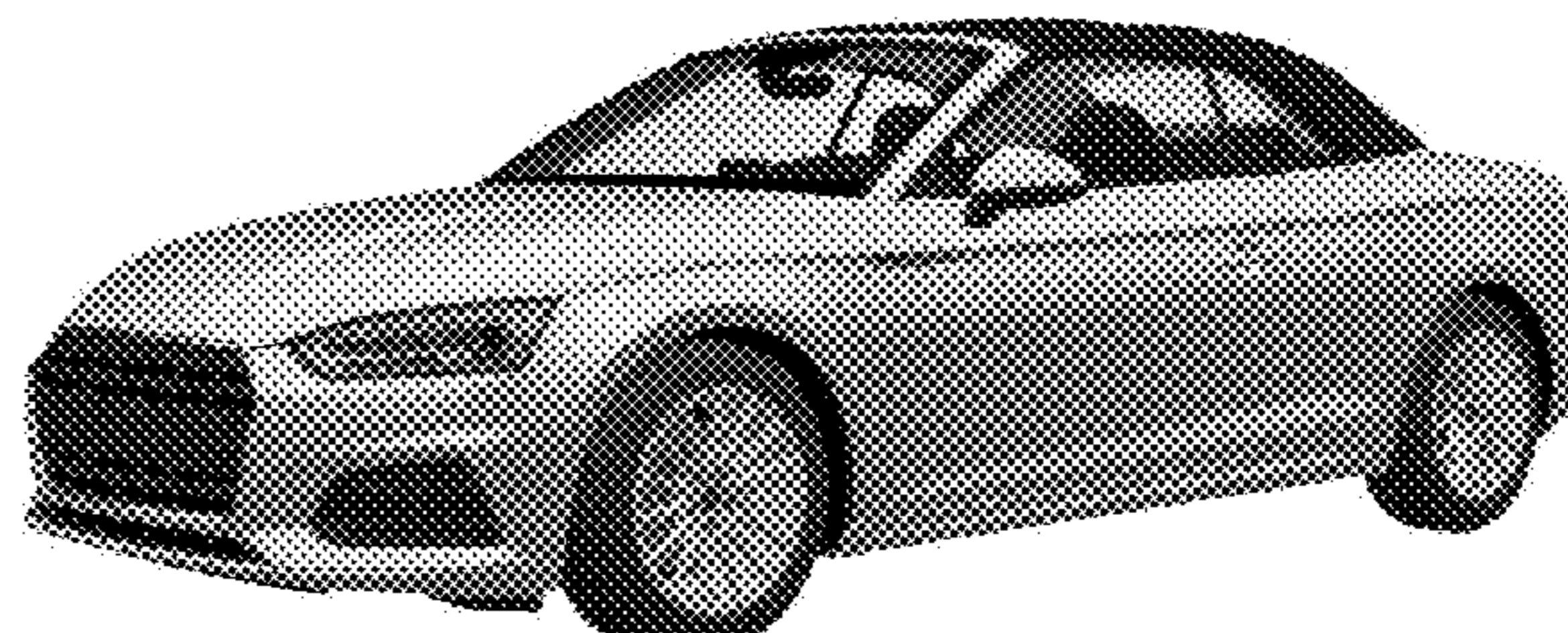
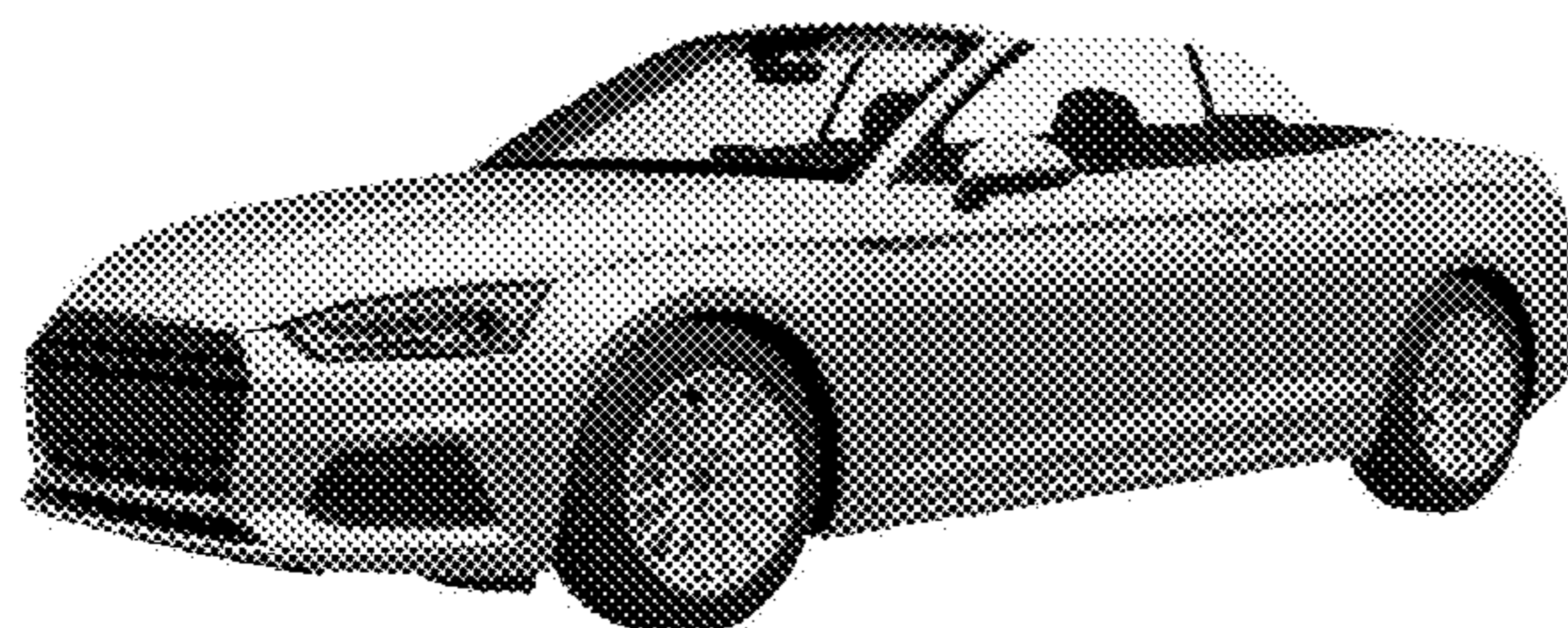




Fig. 1

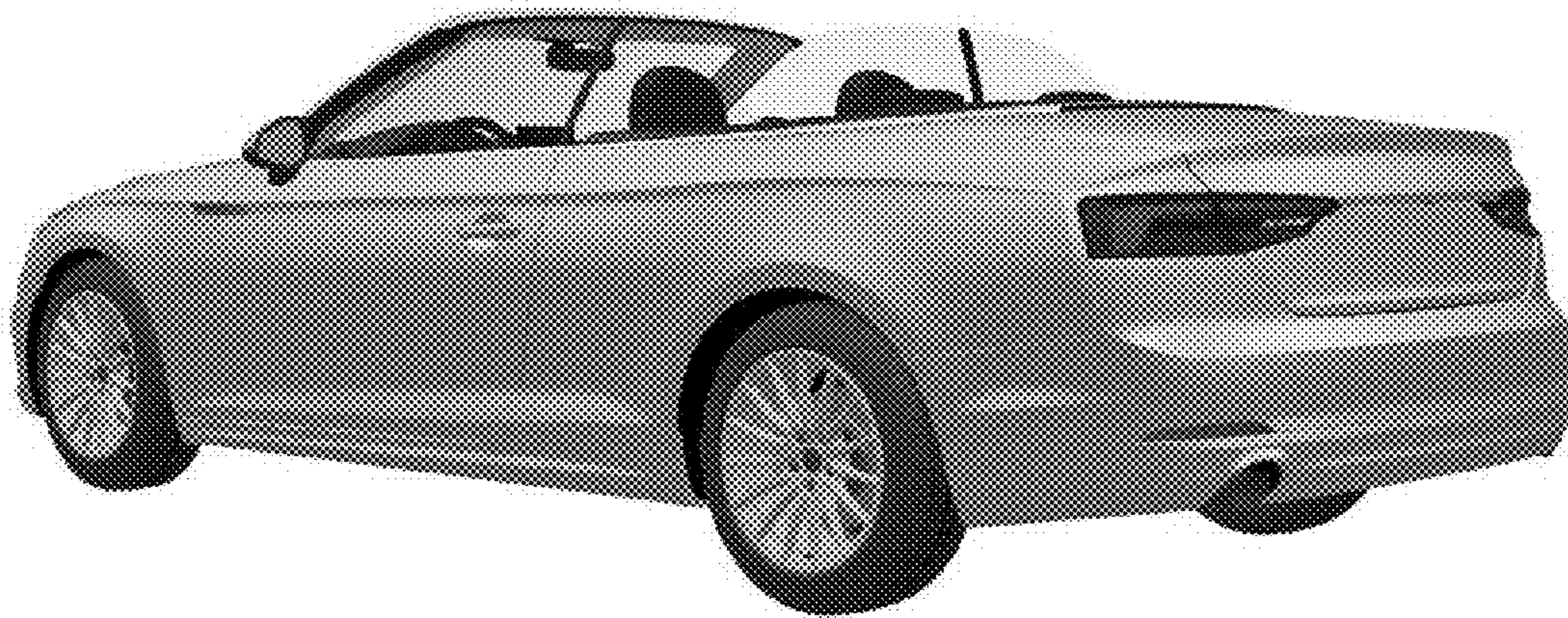


Fig. 2

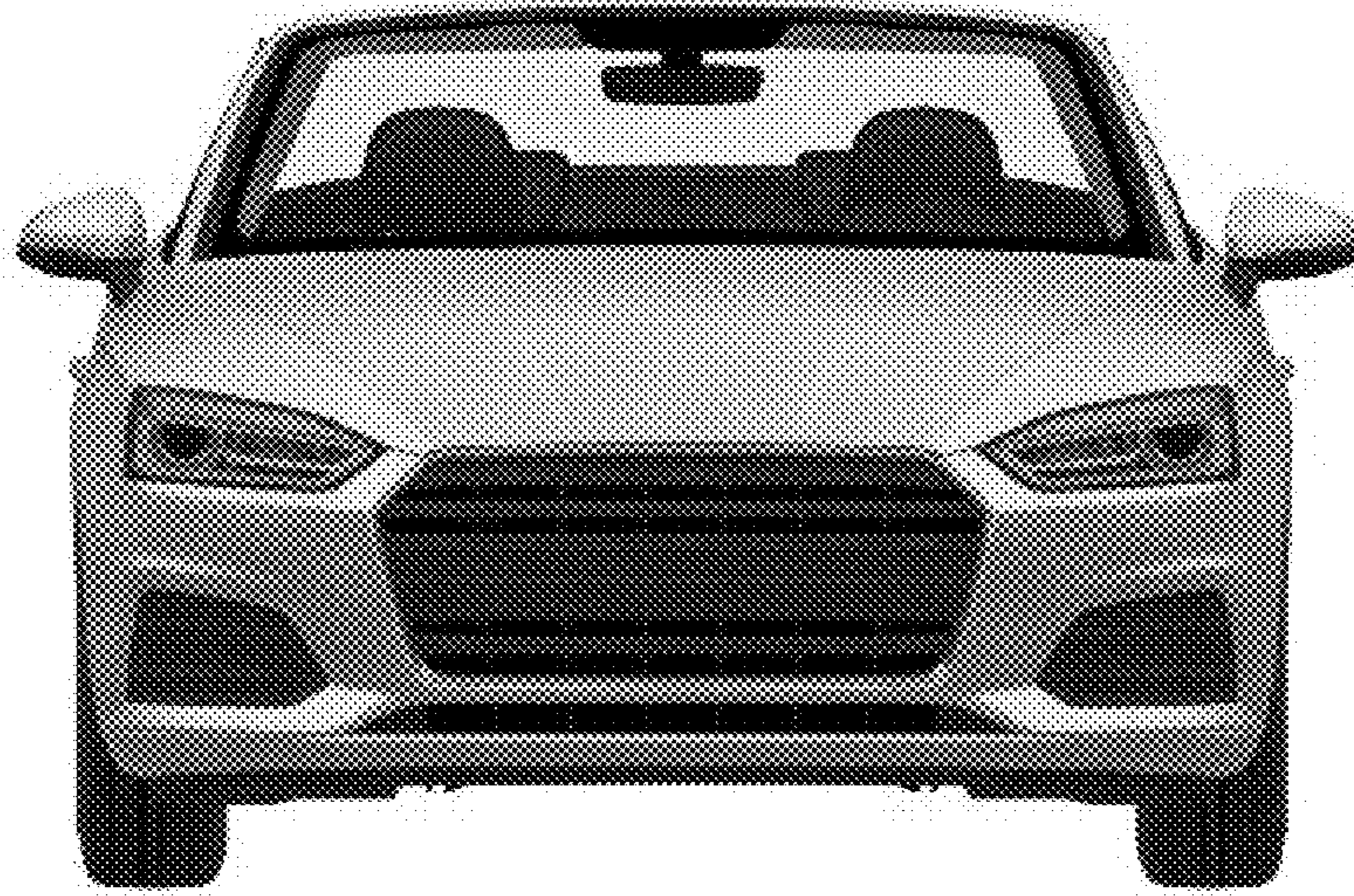


Fig. 3

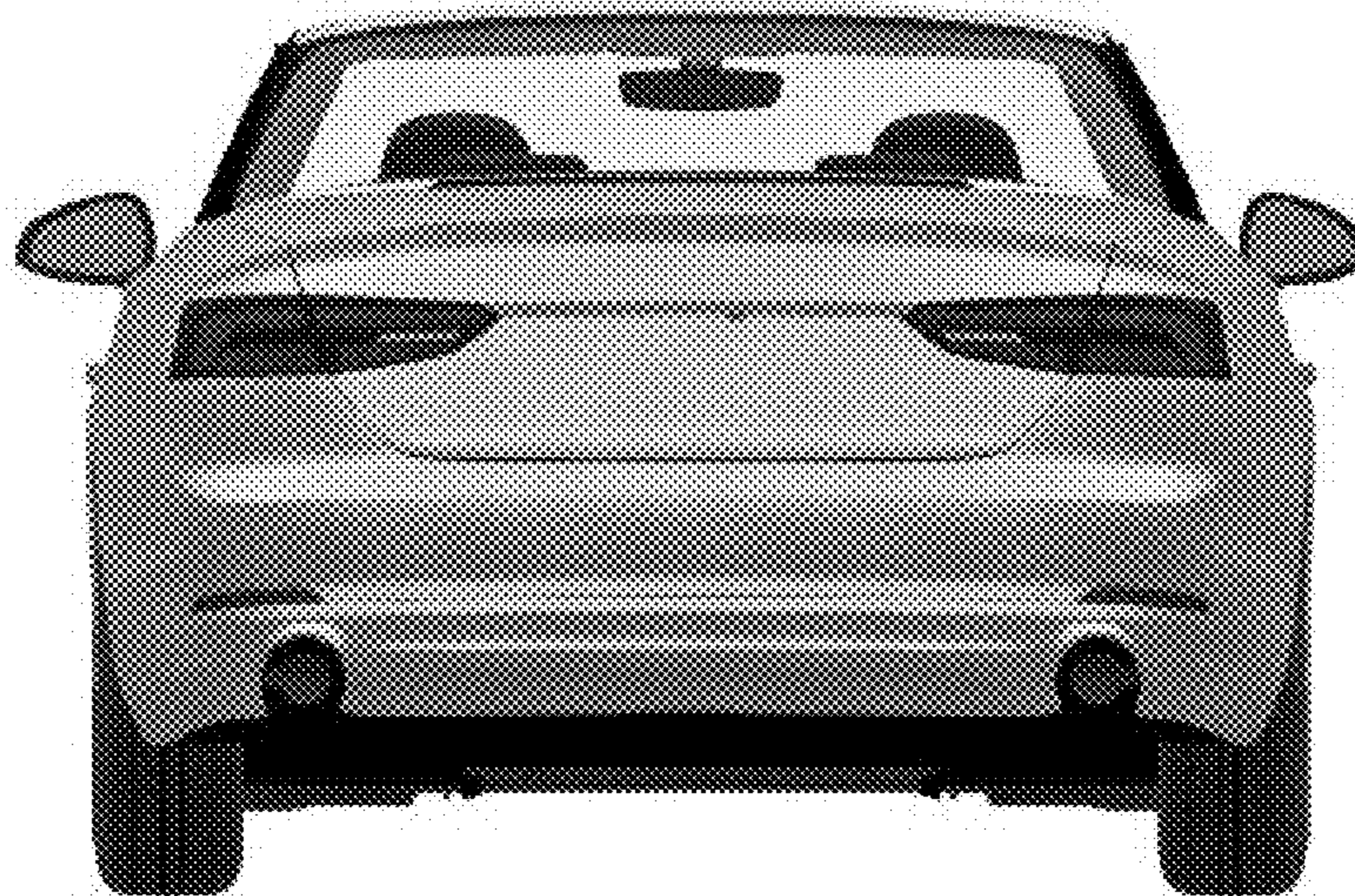


Fig. 4

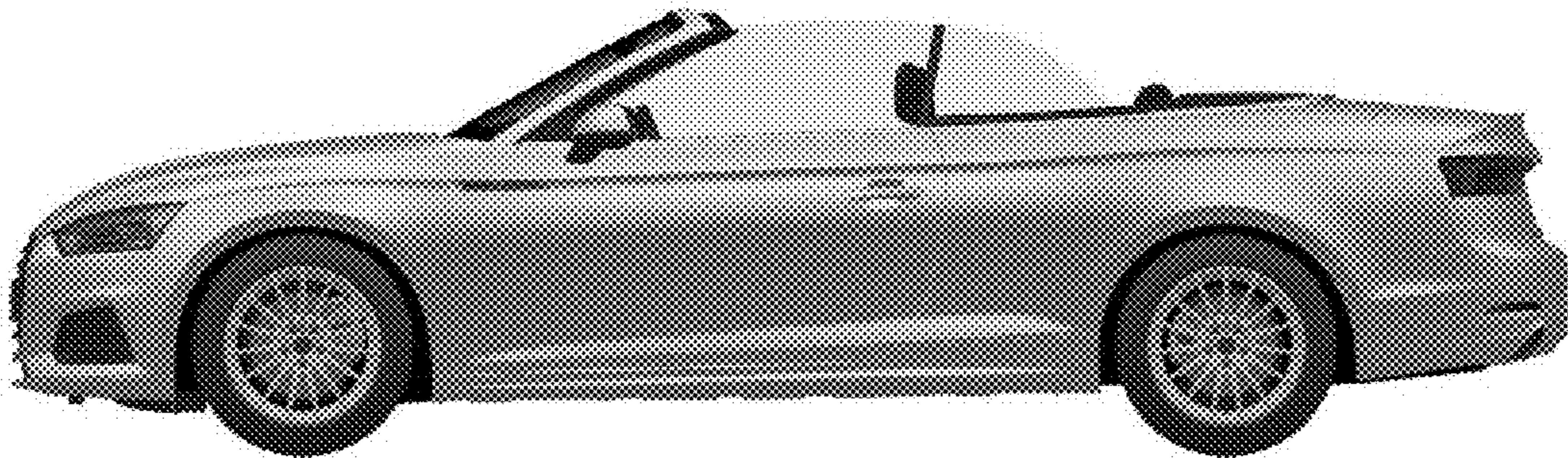


Fig. 5

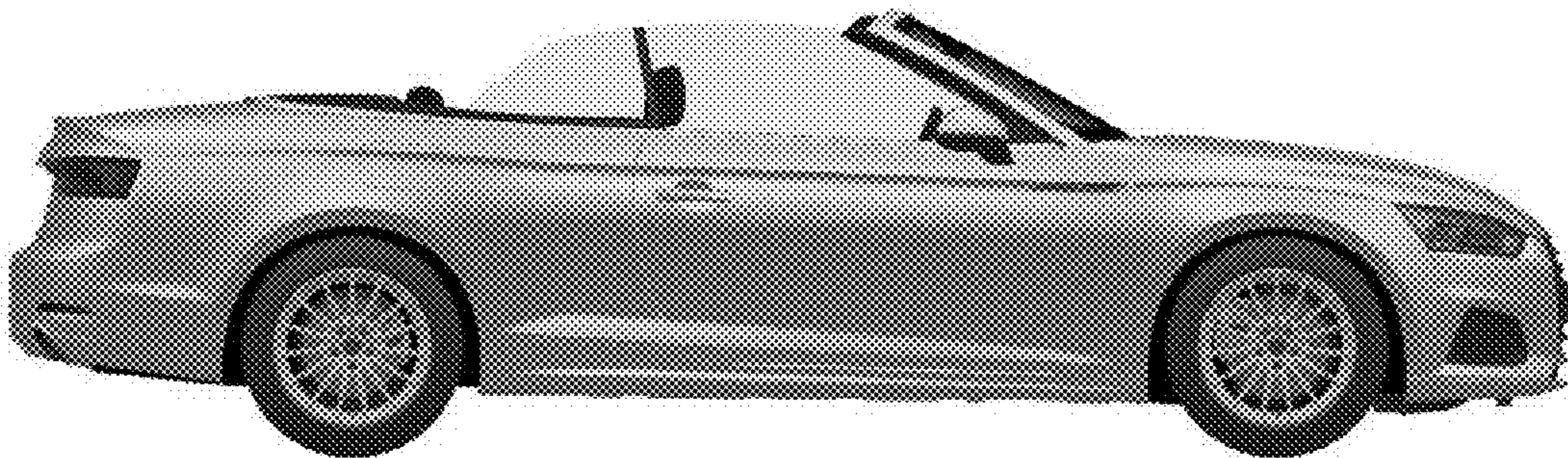


Fig. 6

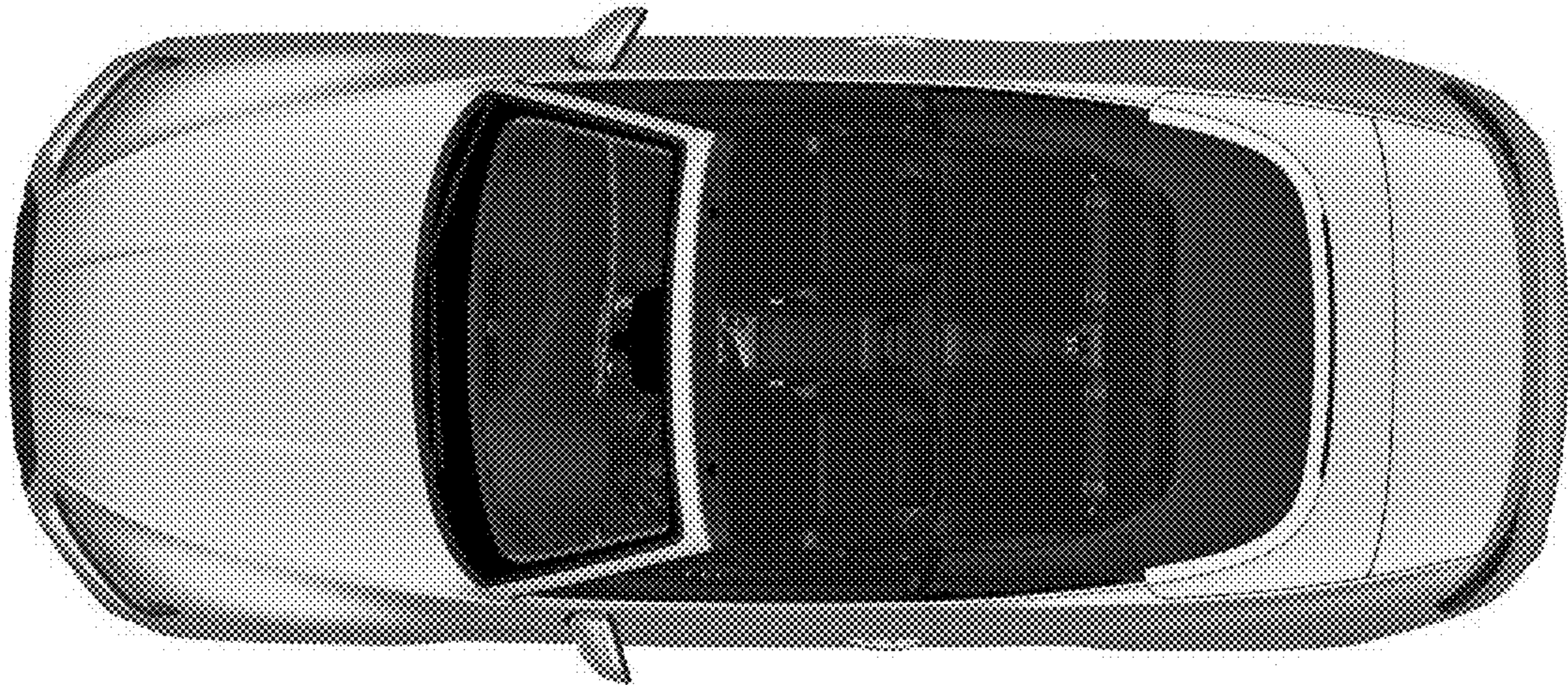


Fig. 7



Fig. 8

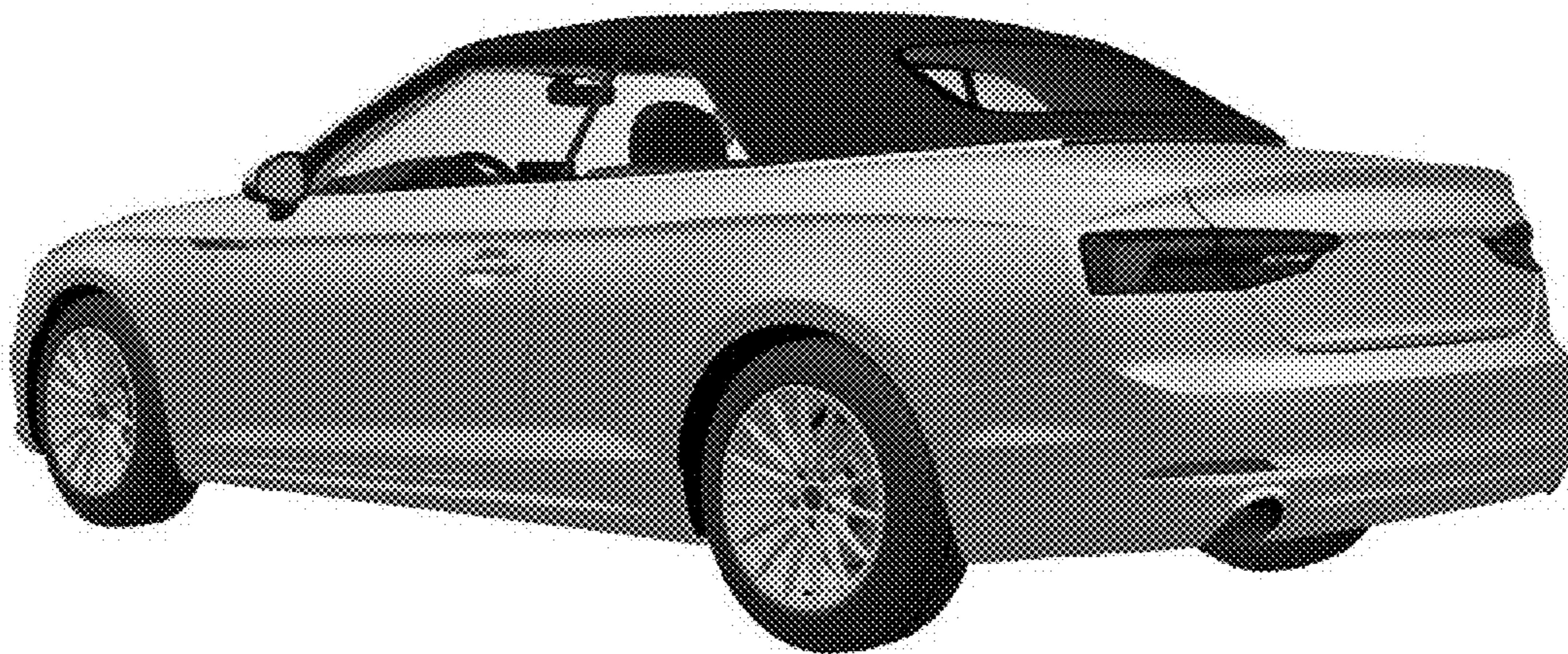


Fig. 9

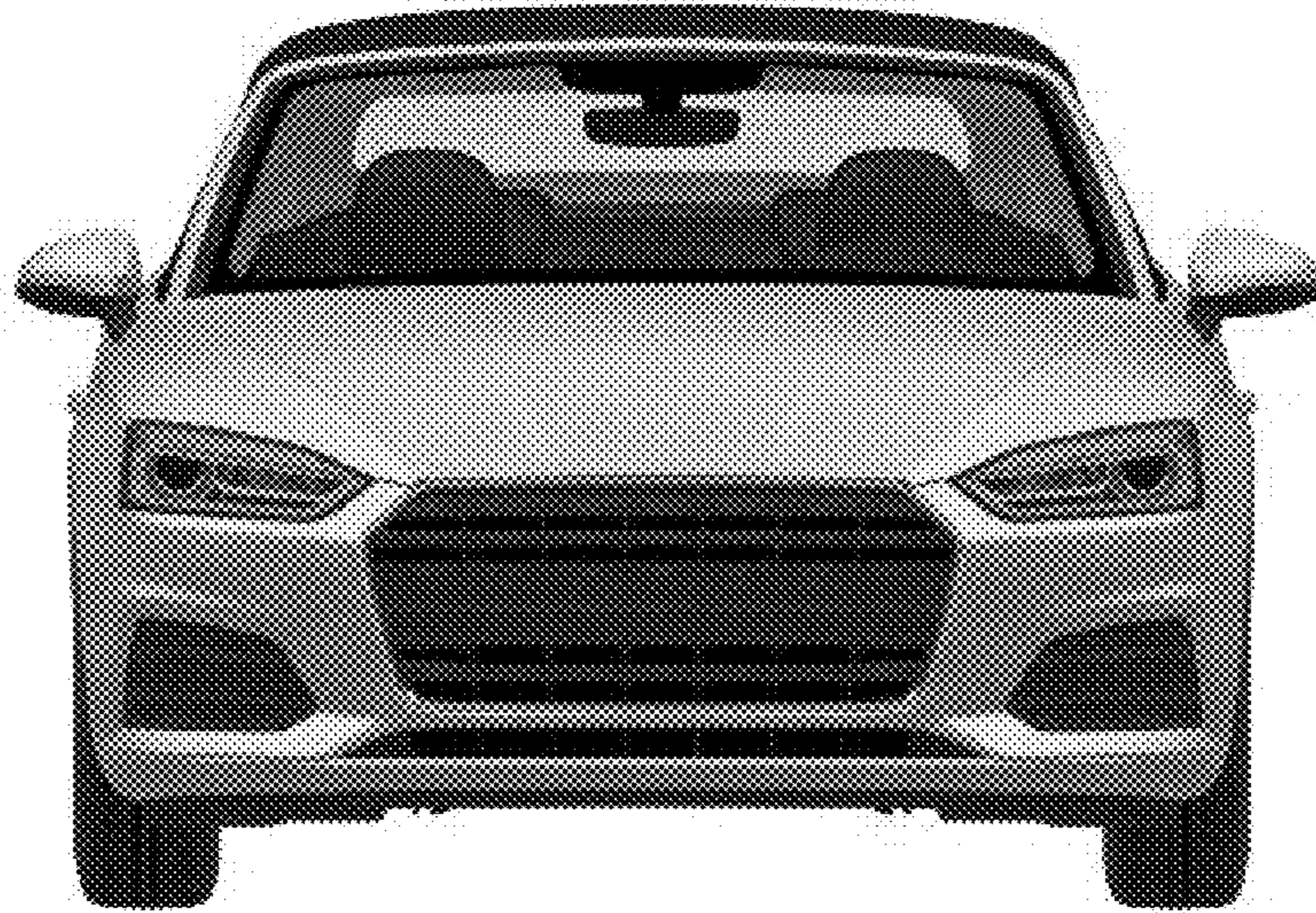


Fig. 10

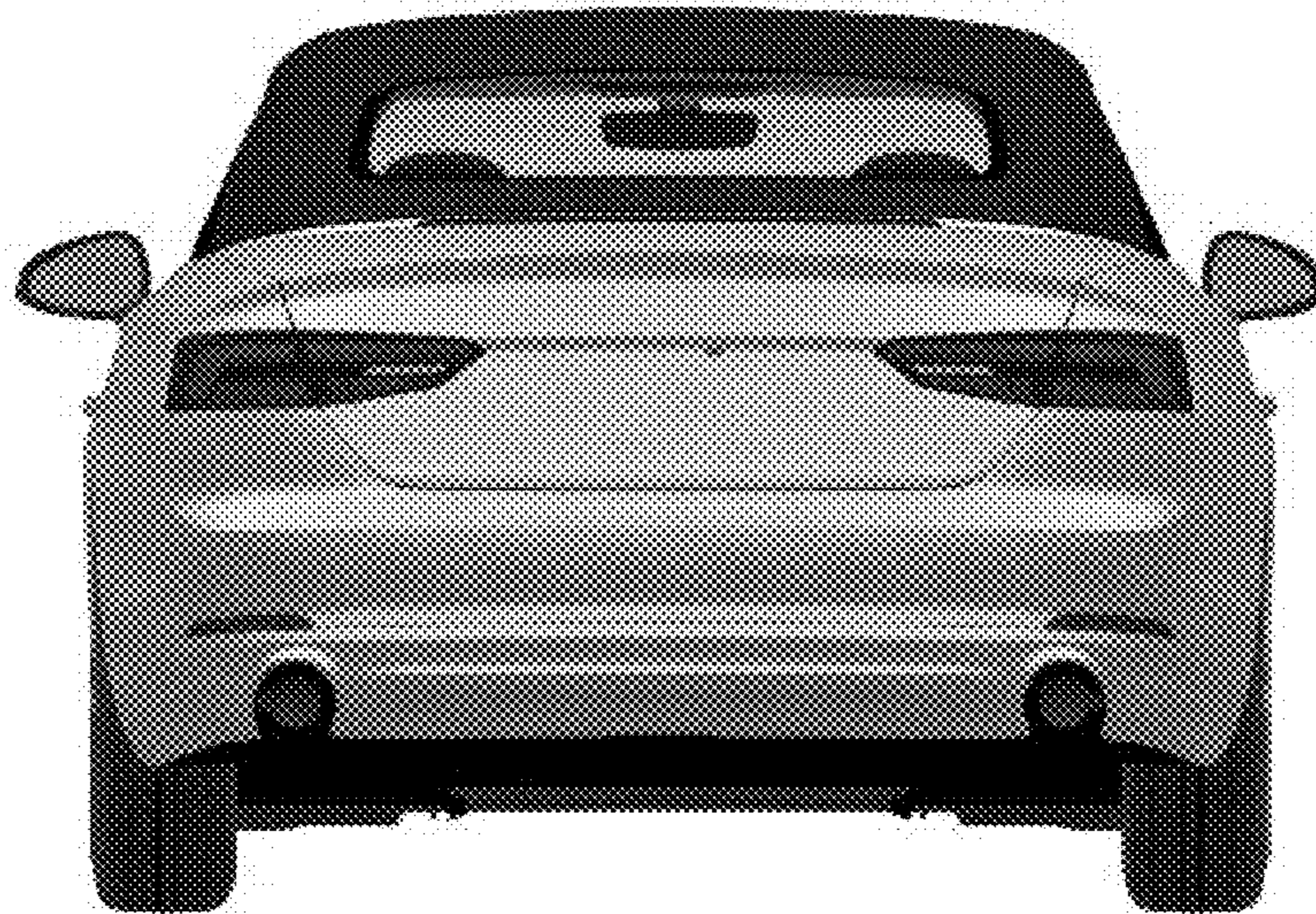


Fig. 11

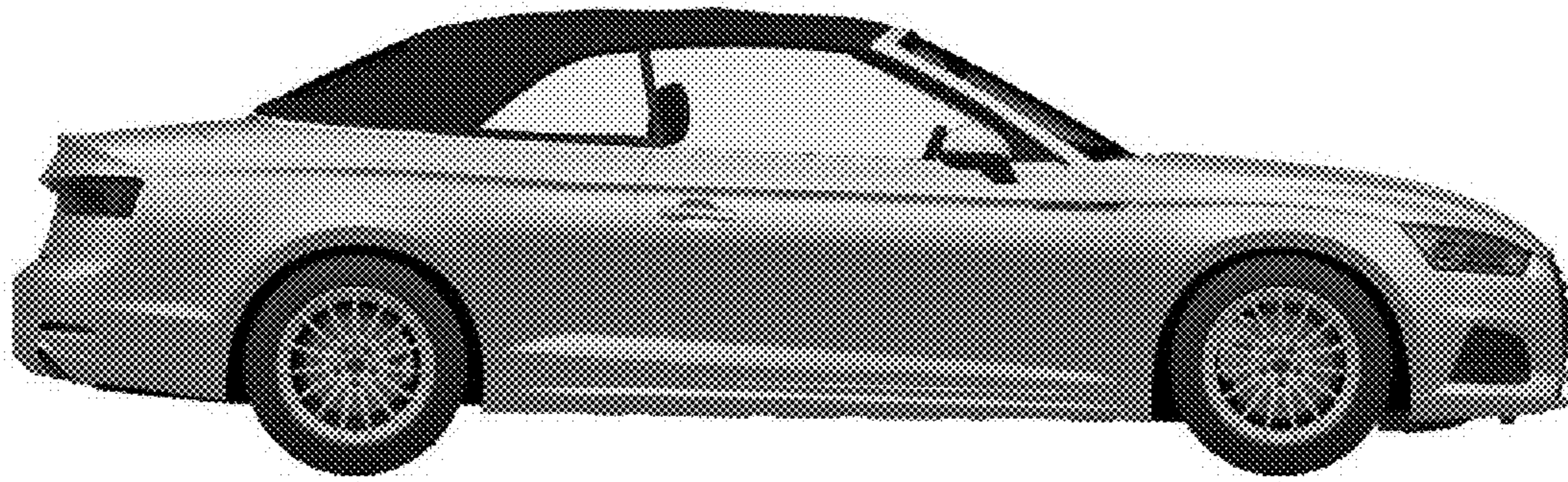


Fig. 12

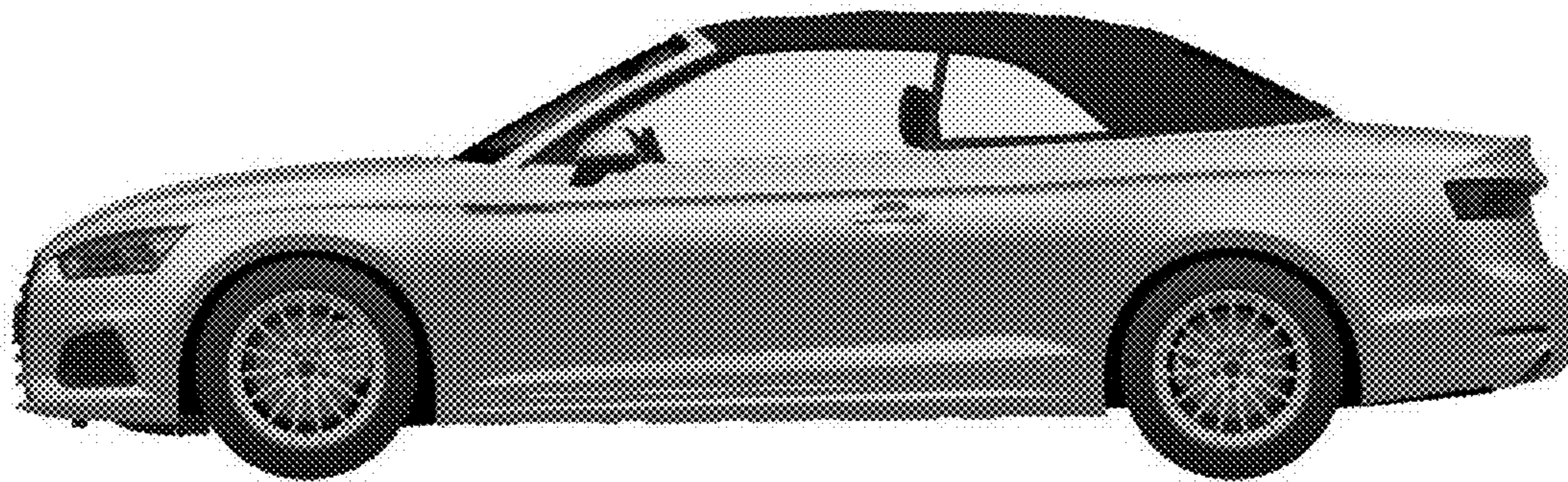


Fig. 13



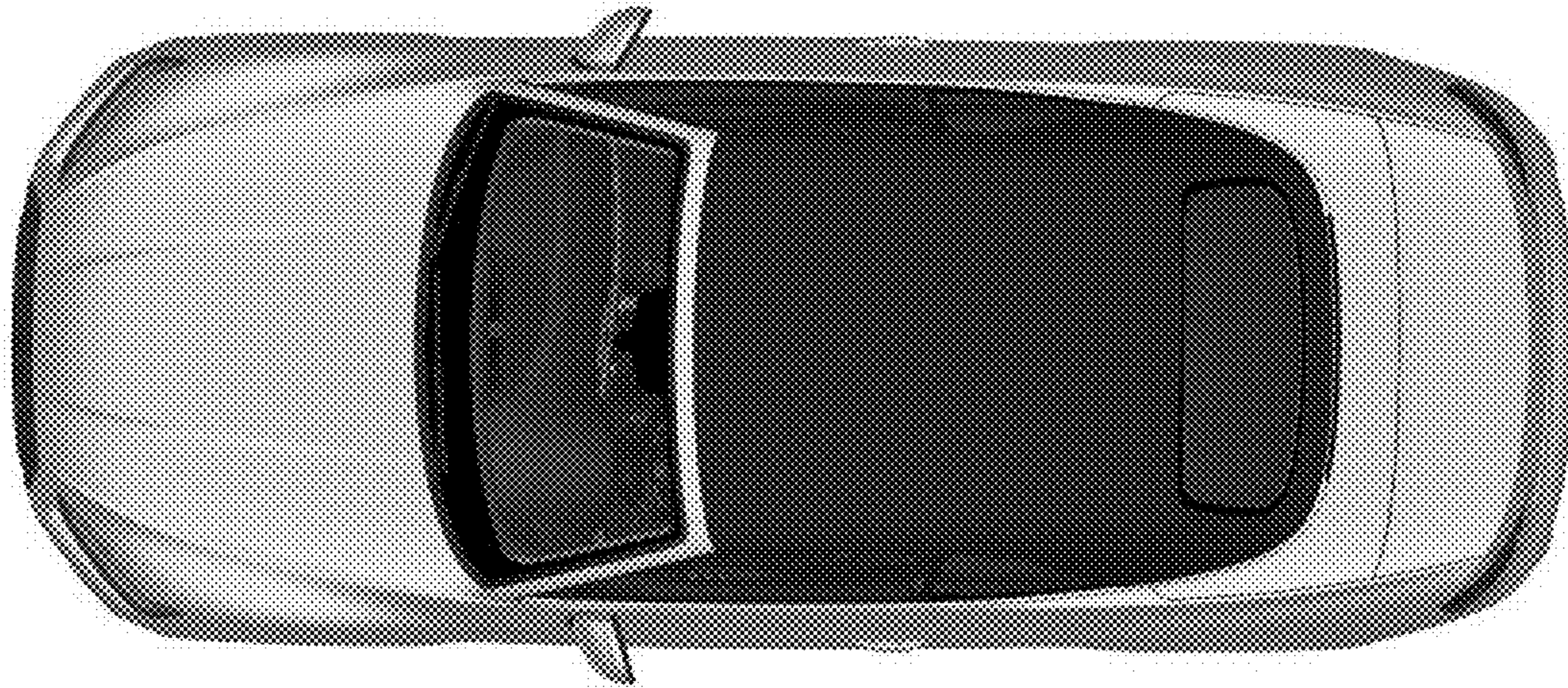


Fig. 14