



US00D814354S

(12) **United States Design Patent**  
**Fisker**

(10) **Patent No.:** **US D814,354 S**

(45) **Date of Patent:** **\*\* Apr. 3, 2018**

(54) **AUTOMOBILE**

(71) Applicant: **Henrik Fisker**, West Hollywood, CA  
(US)

(72) Inventor: **Henrik Fisker**, West Hollywood, CA  
(US)

(73) Assignee: **VLF AUTOMOTIVE LLC**, Rochester,  
MI (US)

(\*\*) Term: **15 Years**

(21) Appl. No.: **29/590,174**

(22) Filed: **Jan. 8, 2017**

(51) **LOC (11) Cl.** ..... **12-08**

(52) **U.S. Cl.**  
USPC ..... **D12/91**

(58) **Field of Classification Search**  
USPC ..... D12/86, 90-92, 88; D21/421, 433, 434;  
296/181.1, 181.5  
CPC ..... B62D 35/00; B62D 25/00; B62D 25/06;  
B62D 33/00  
See application file for complete search history.

(56) **References Cited**

**U.S. PATENT DOCUMENTS**

D565,467 S \* 4/2008 Aneiros ..... D12/91  
D568,211 S \* 5/2008 Vardis ..... D12/91

D693,737 S \* 11/2013 Hammoud ..... D12/91  
D703,585 S \* 4/2014 Scheinhutte ..... D12/92  
D711,784 S \* 8/2014 Galante ..... D12/91  
D718,660 S \* 12/2014 Howell ..... D12/91  
D723,425 S \* 3/2015 Glover ..... D12/91  
D805,956 S \* 12/2017 Galante ..... D12/91

\* cited by examiner

*Primary Examiner* — Melody N Brown

(74) *Attorney, Agent, or Firm* — Inventa Capital PLC

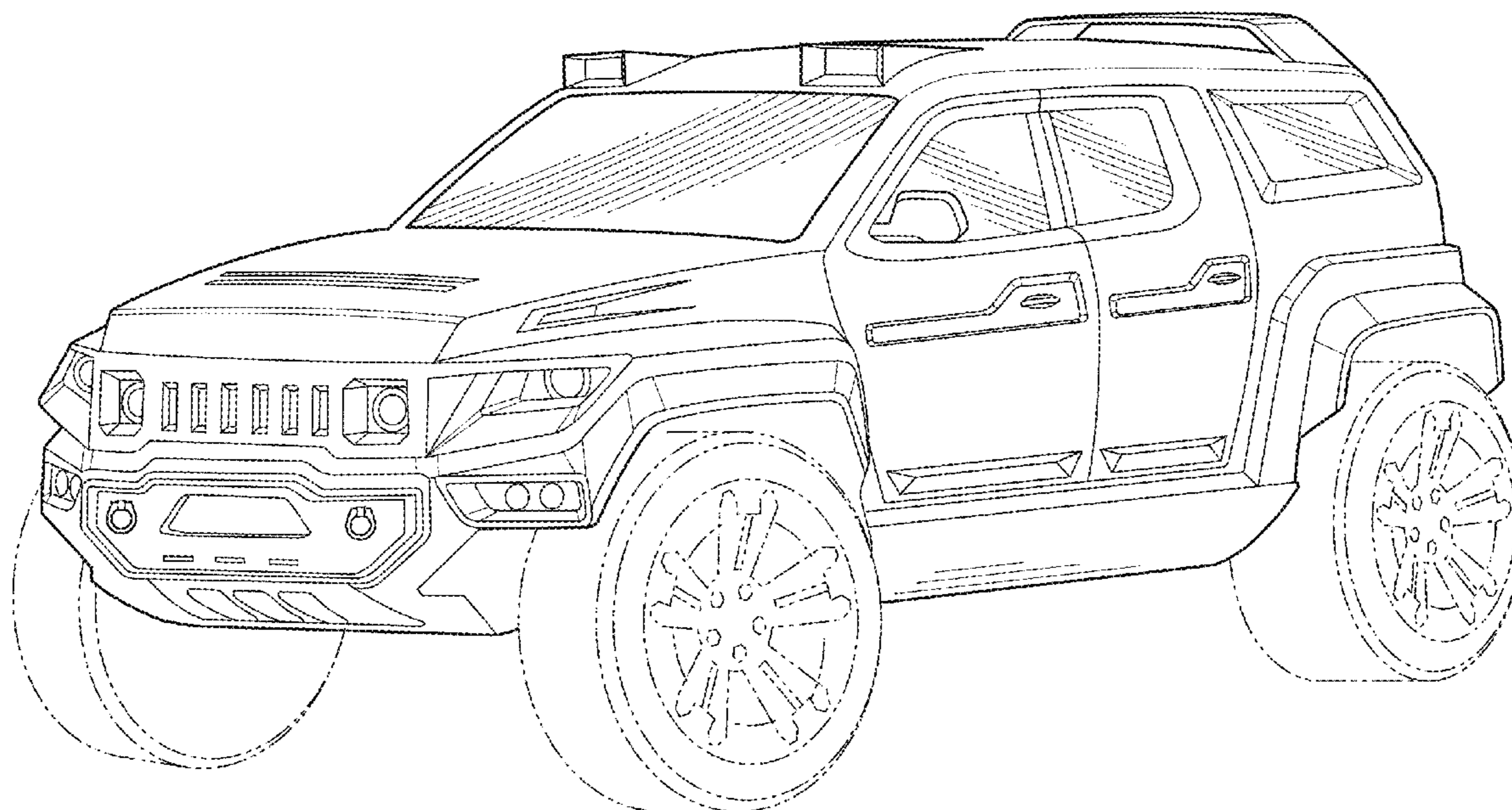
(57) **CLAIM**

I claim the ornamental design for an automobile, as shown and described.

**DESCRIPTION**

FIG. 1 is a front perspective view of an automobile;  
FIG. 2 is a right side view of the automobile;  
FIG. 3 is a front view of the automobile;  
FIG. 4 is a rear view of the automobile;  
FIG. 5 is a left side view of the automobile;  
FIG. 6 is a top view of the automobile; and,  
FIG. 7 is a rear perspective view of the automobile.  
The wheels shown in broken lines throughout the drawing views are for illustrative purposes only and form no part of the claim design.

**1 Claim, 6 Drawing Sheets**



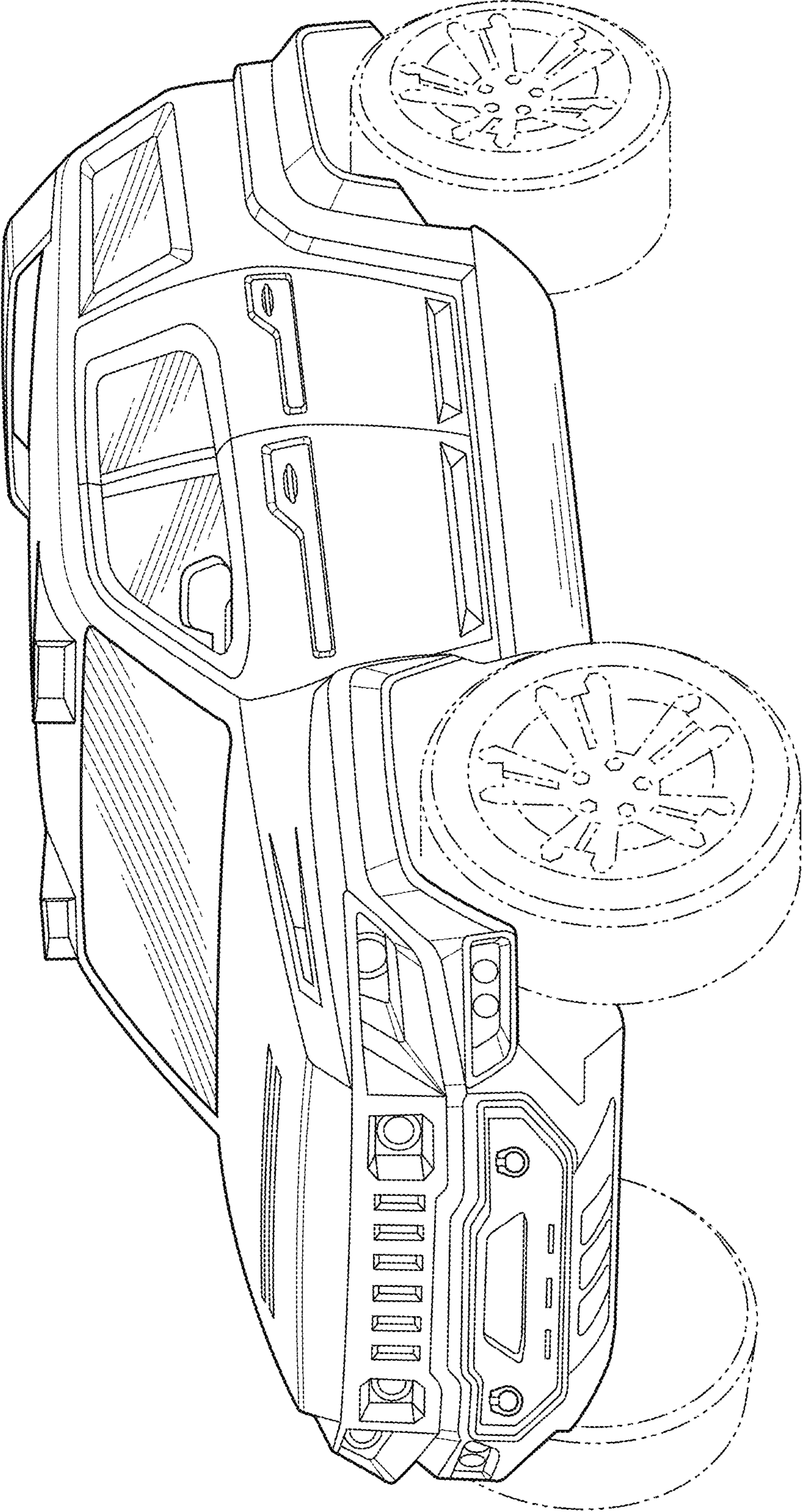


FIG. 1



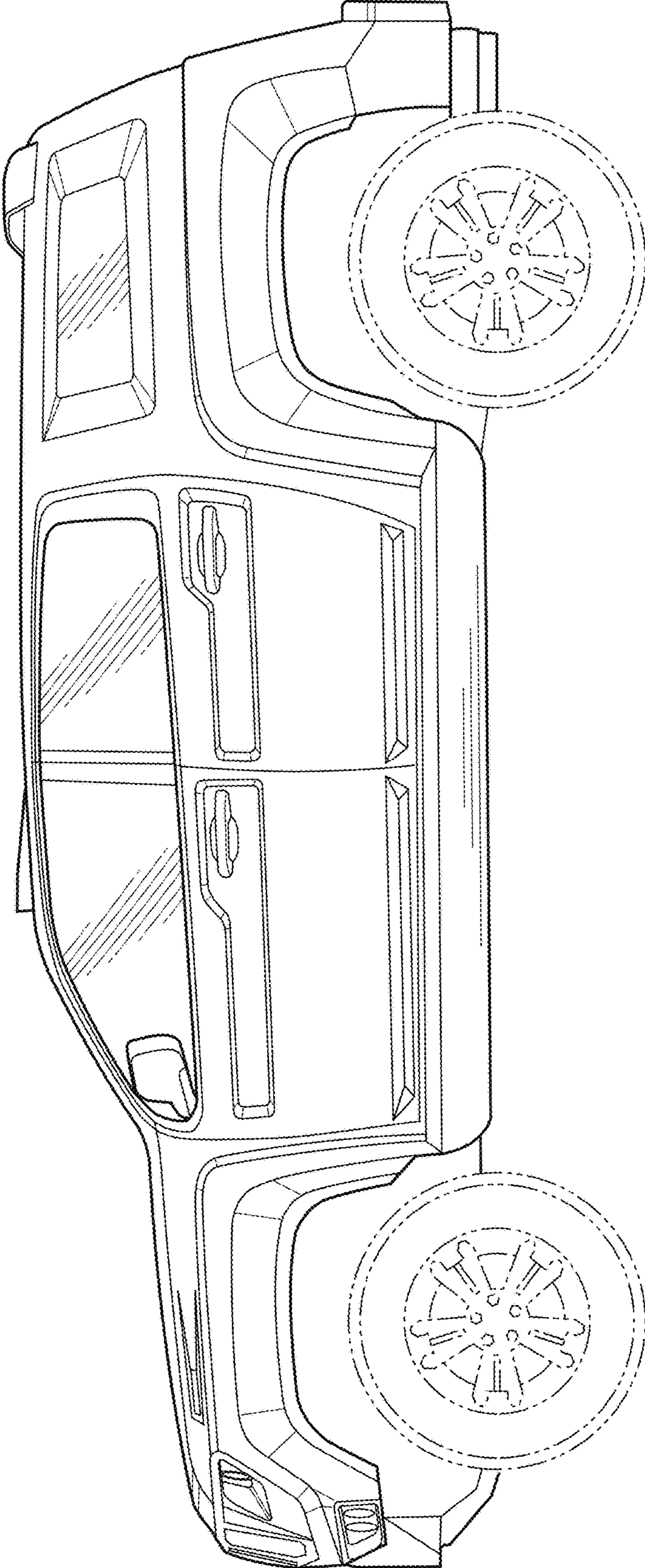
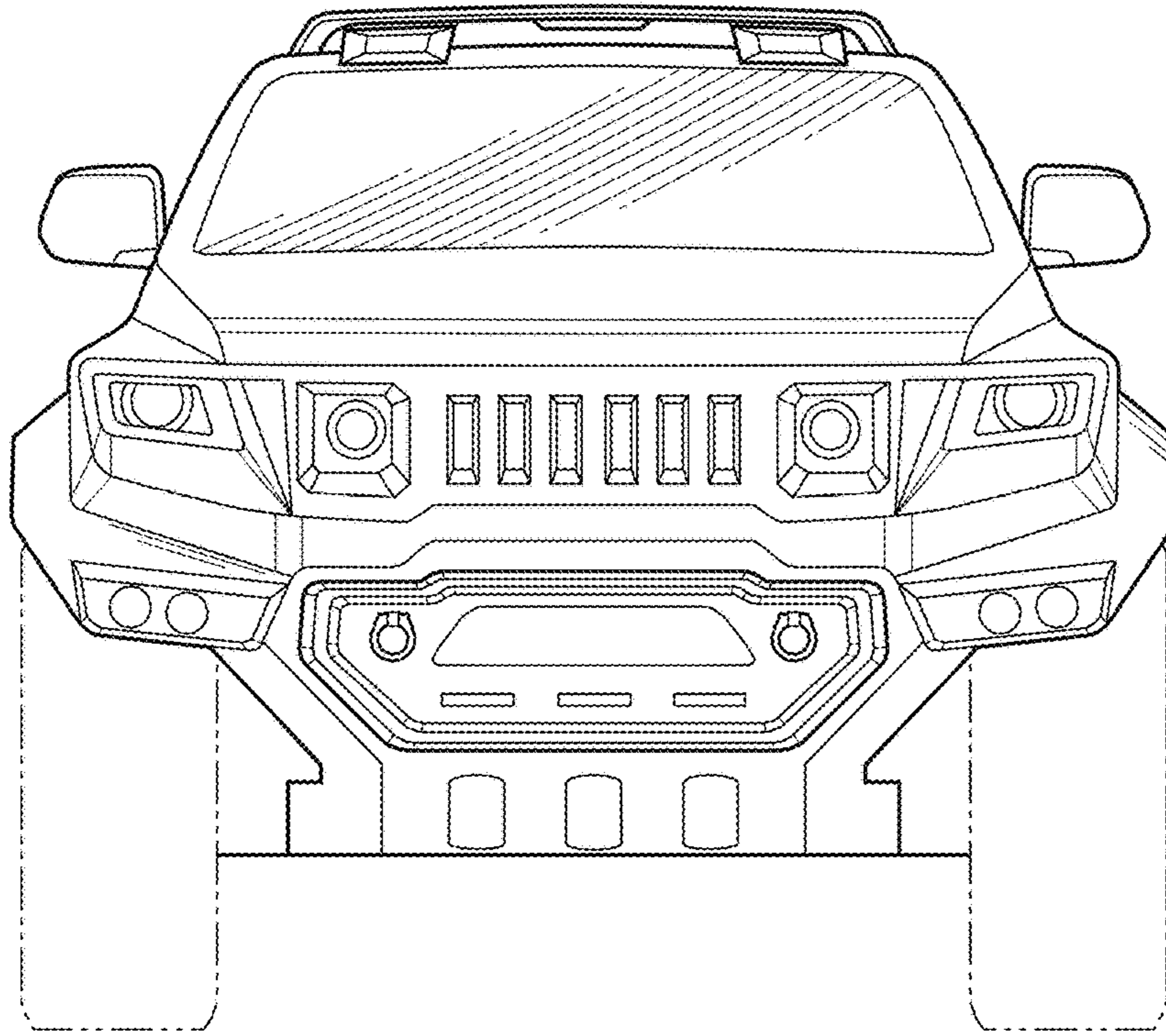
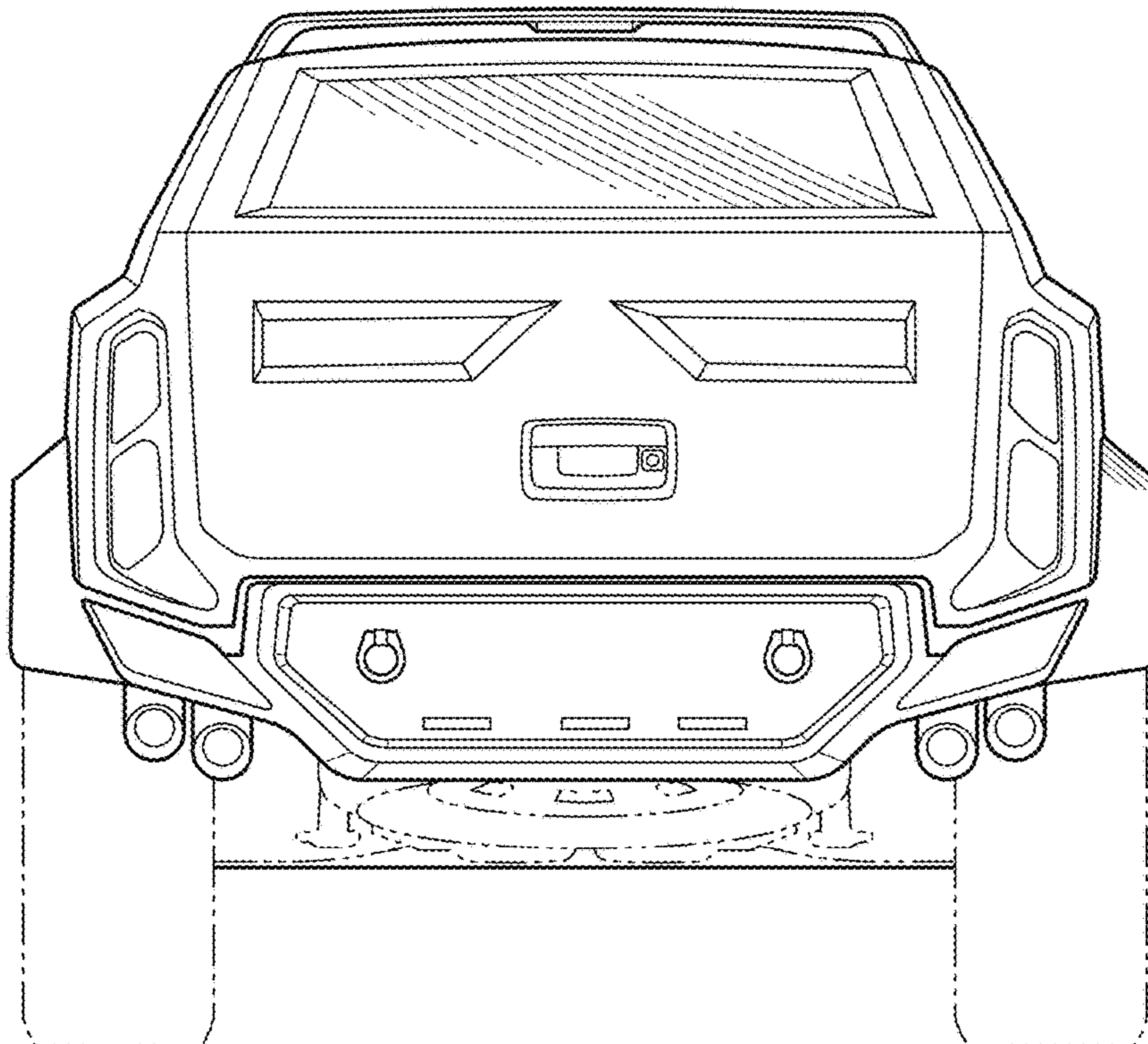


FIG. 2

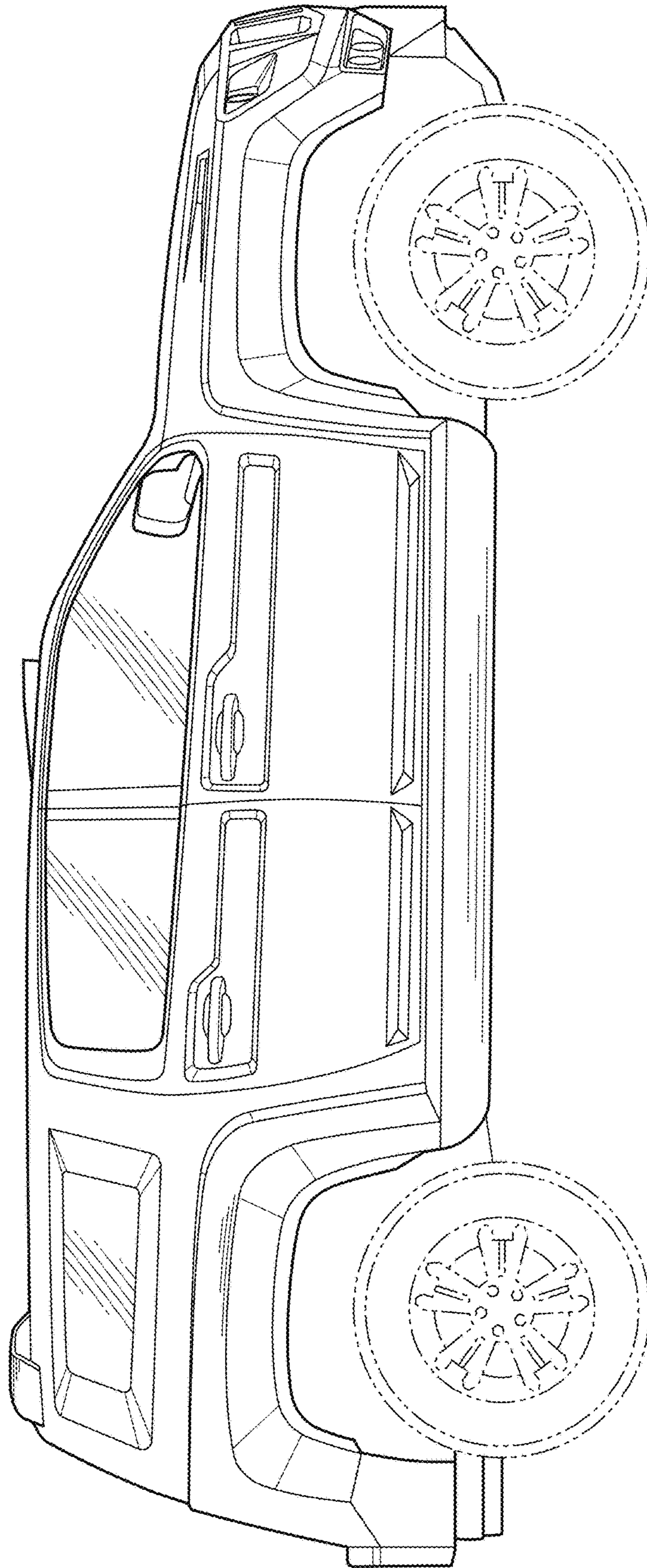


**FIG. 3**

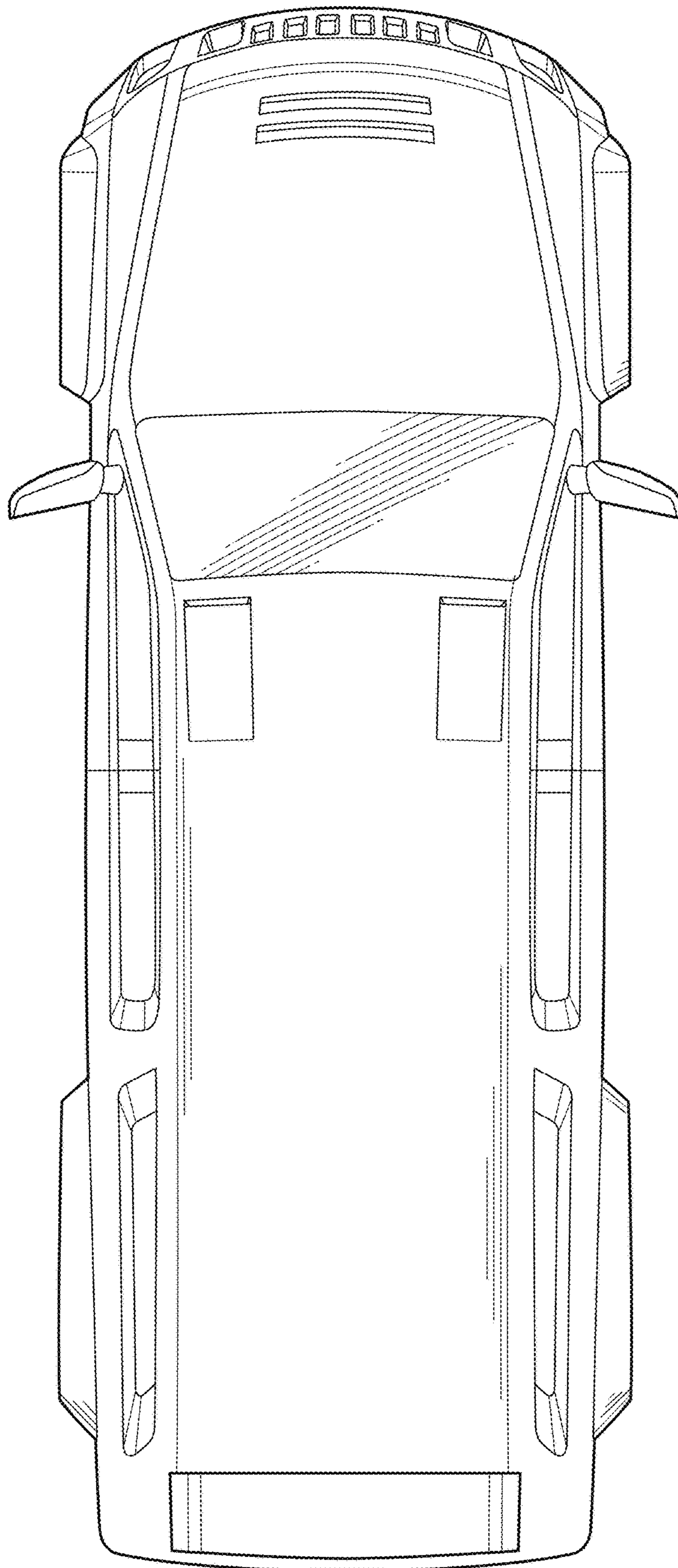


**FIG. 4**





**FIG. 5**



**FIG. 6**

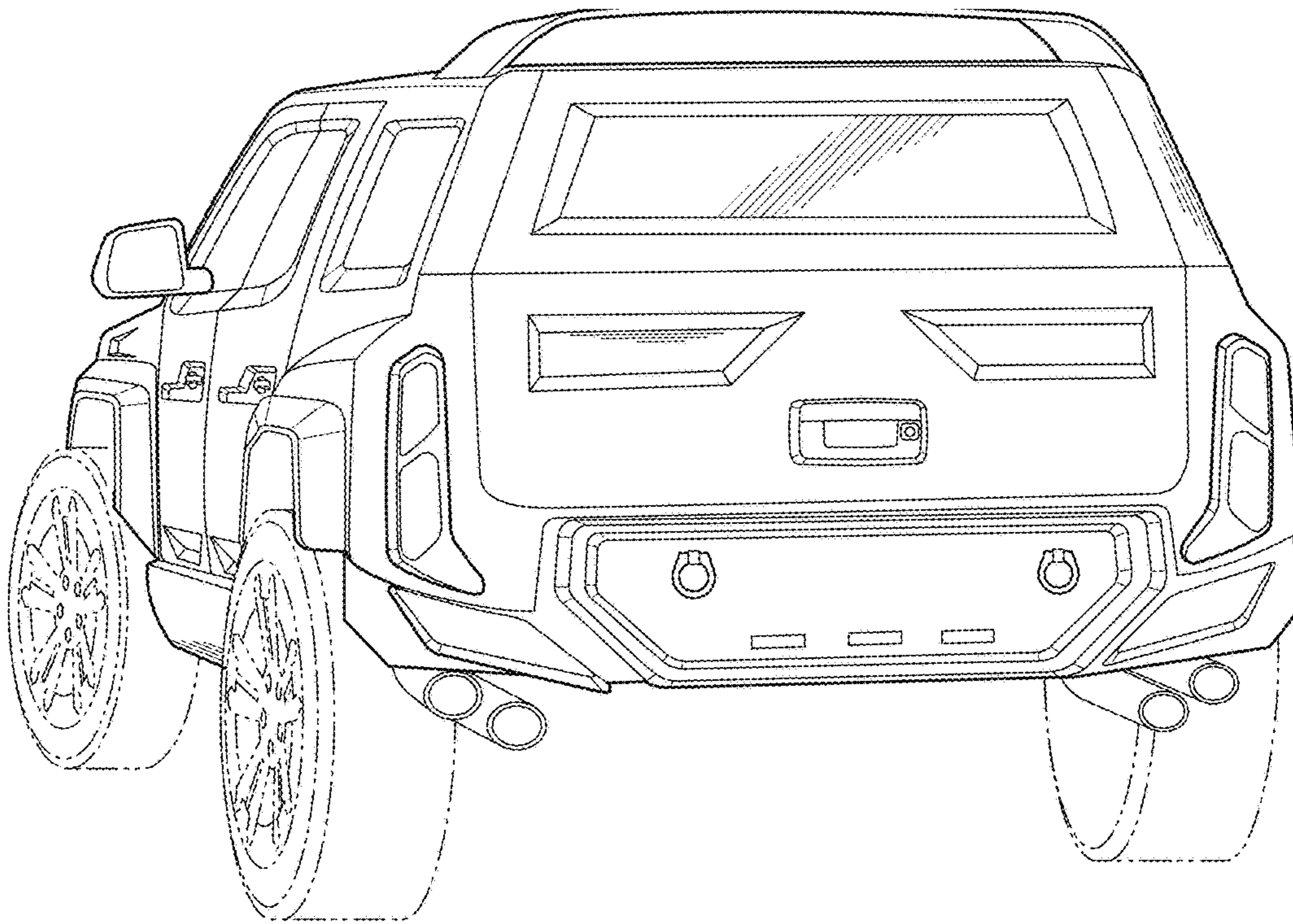


FIG. 7