



US00D814353S

(12) **United States Design Patent**
Kim et al.

(10) **Patent No.:** **US D814,353 S**
(45) **Date of Patent:** **** Apr. 3, 2018**

(54) **CAR EXTERIOR**

(71) Applicant: **Faraday & Future Inc.**, Gardena, CA (US)

(72) Inventors: **Richard S. Kim**, Los Angeles, CA (US); **Hanbin Youn**, Los Angeles, CA (US); **Brian Sung Oh**, Granada Hills, CA (US); **Page Brullau Beermann**, Los Angeles, CA (US)

(73) Assignee: **FARADAY & FUTURE INC.**, Gardena, CA (US)

(**) Term: **15 Years**

(21) Appl. No.: **29/573,790**

(22) Filed: **Aug. 9, 2016**

(51) **LOC (11) Cl.** **12-08**

(52) **U.S. Cl.**
USPC **D12/91**

(58) **Field of Classification Search**
USPC D12/86, 90-92, 88; D21/421, 433, 434;
296/181.1, 181.5

CPC B62D 35/00; B62D 25/00; B62D 25/06;
B62D 33/00

See application file for complete search history.

(56) **References Cited**

U.S. PATENT DOCUMENTS

D642,494 S * 8/2011 Loeb D12/91
D667,341 S * 9/2012 Verhee D12/91

D689,398 S * 9/2013 Fukui D12/91
D719,486 S * 12/2014 Murakami D12/91
D728,422 S * 5/2015 Minami D12/91
D728,424 S * 5/2015 Rupar D12/91
D734,690 S * 7/2015 Ahn D12/91

* cited by examiner

Primary Examiner — Melody N Brown

(74) *Attorney, Agent, or Firm* — Finnegan, Henderson, Farabow, Garrett & Dunner, LLP

(57) **CLAIM**

The ornamental design for a car exterior, as shown and described.

DESCRIPTION

FIG. 1 is a top, front and left side perspective view of a car exterior showing our new design;

FIG. 2 is a bottom, rear and left side perspective view thereof;

FIG. 3 is a front elevation view thereof;

FIG. 4 is a rear elevation view thereof;

FIG. 5 is a right side elevation view thereof;

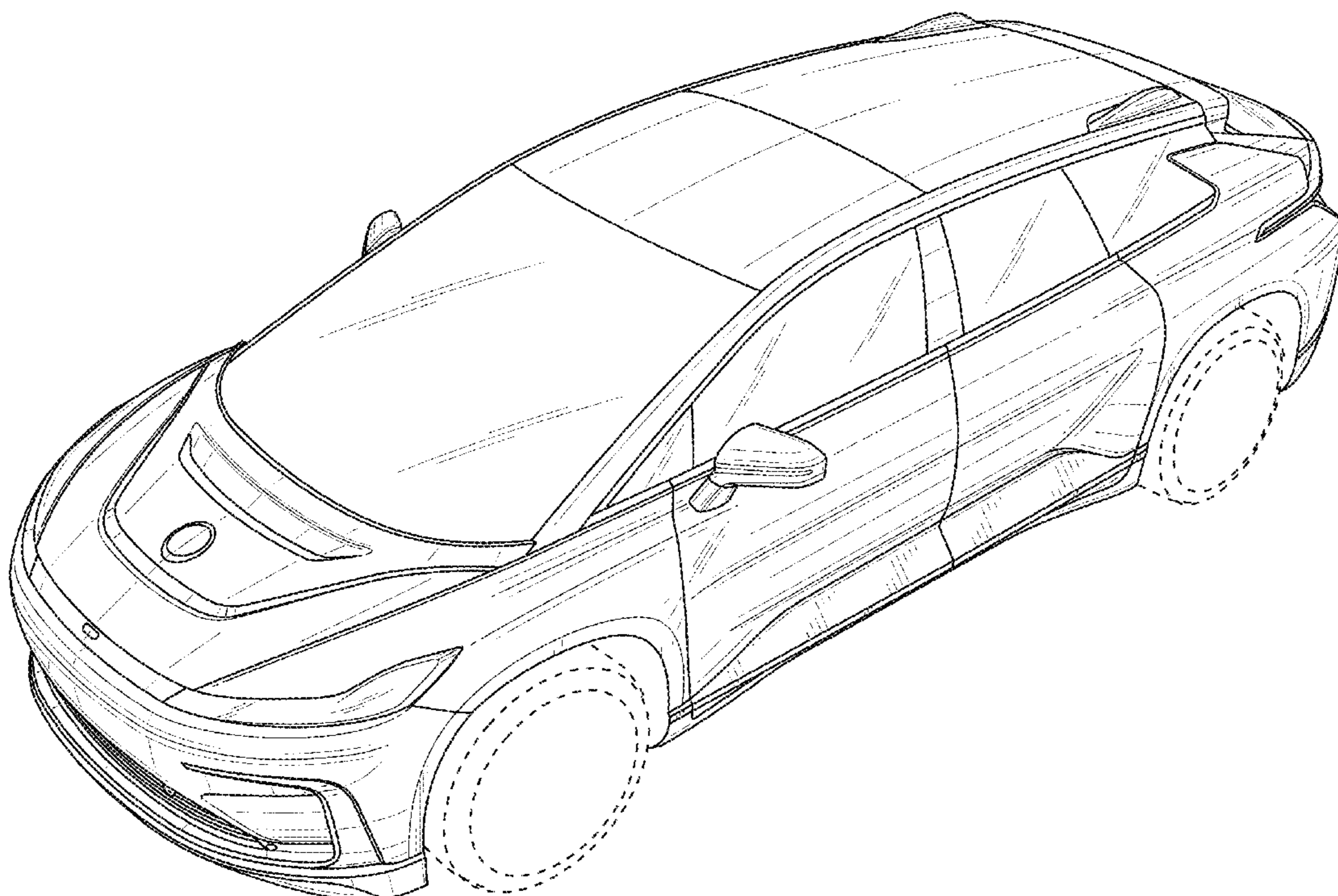
FIG. 6 is a left side elevation view thereof;

FIG. 7 is a top plan view thereof; and,

FIG. 8 is a bottom plan view thereof.

The broken lines of even length shown in the drawings illustrate portions of the car exterior that form no part of the claimed design. The uneven length broken lines illustrate the boundary of the claimed design, and form no part thereof.

1 Claim, 8 Drawing Sheets



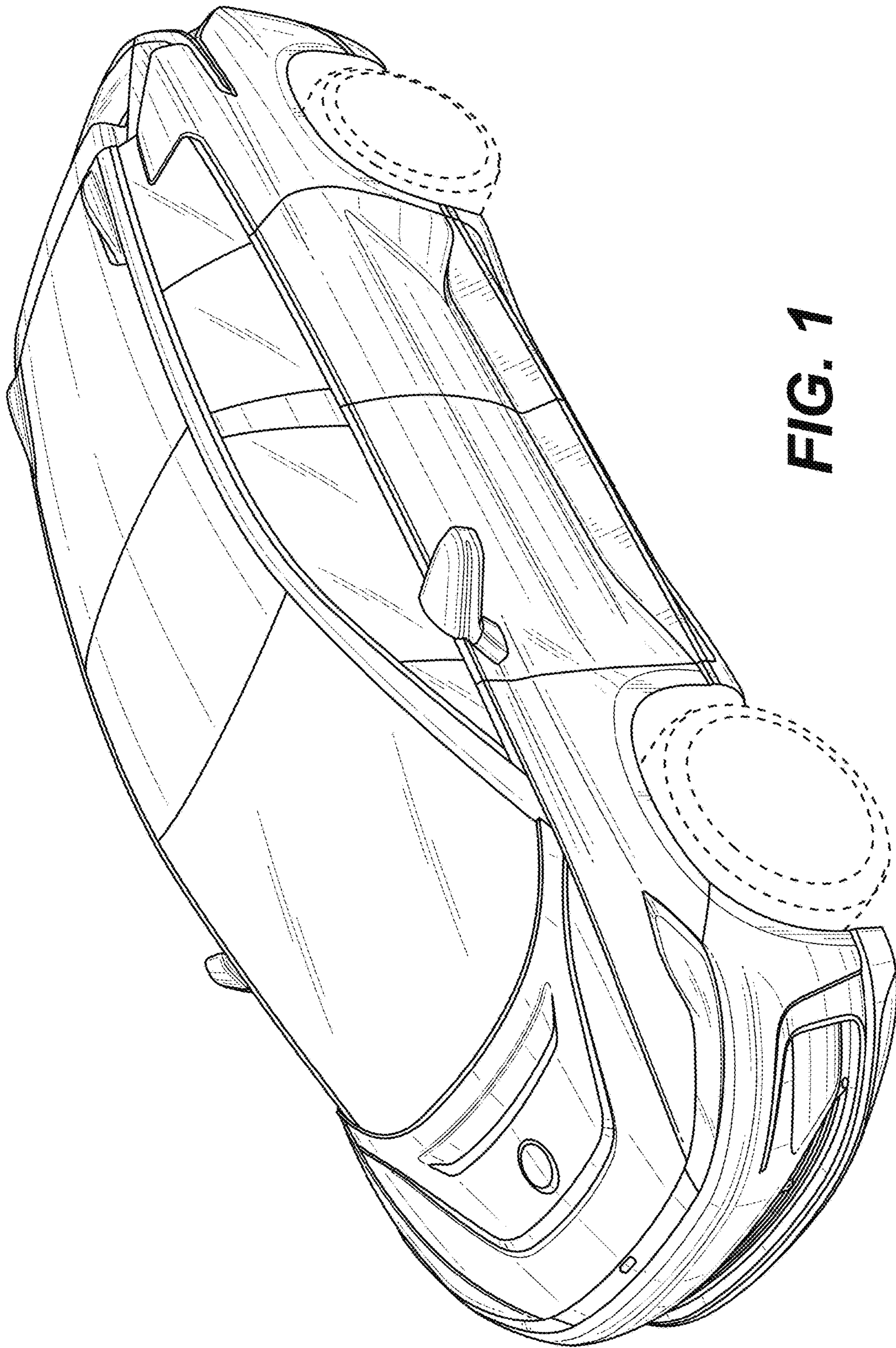


FIG. 1

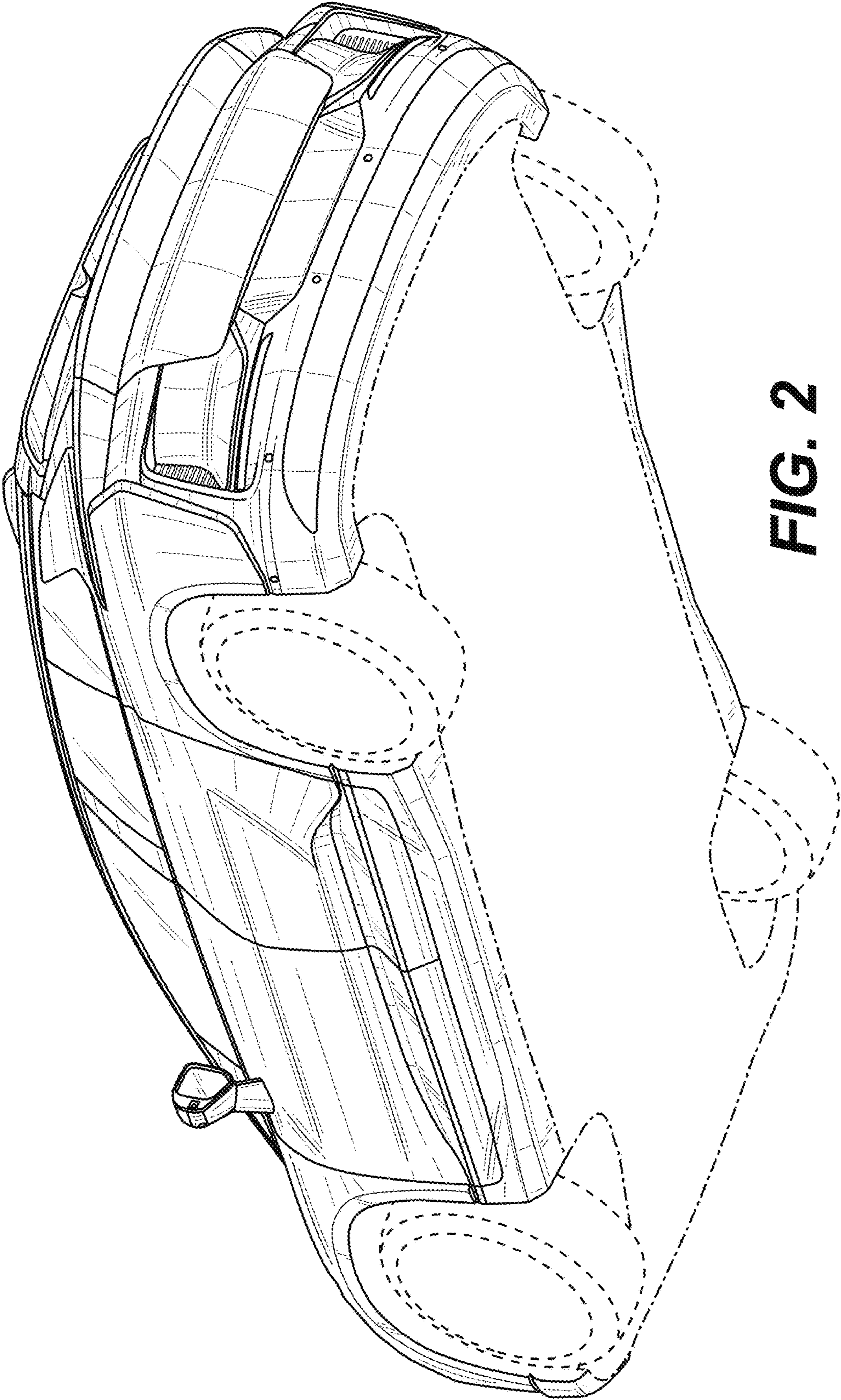


FIG. 2

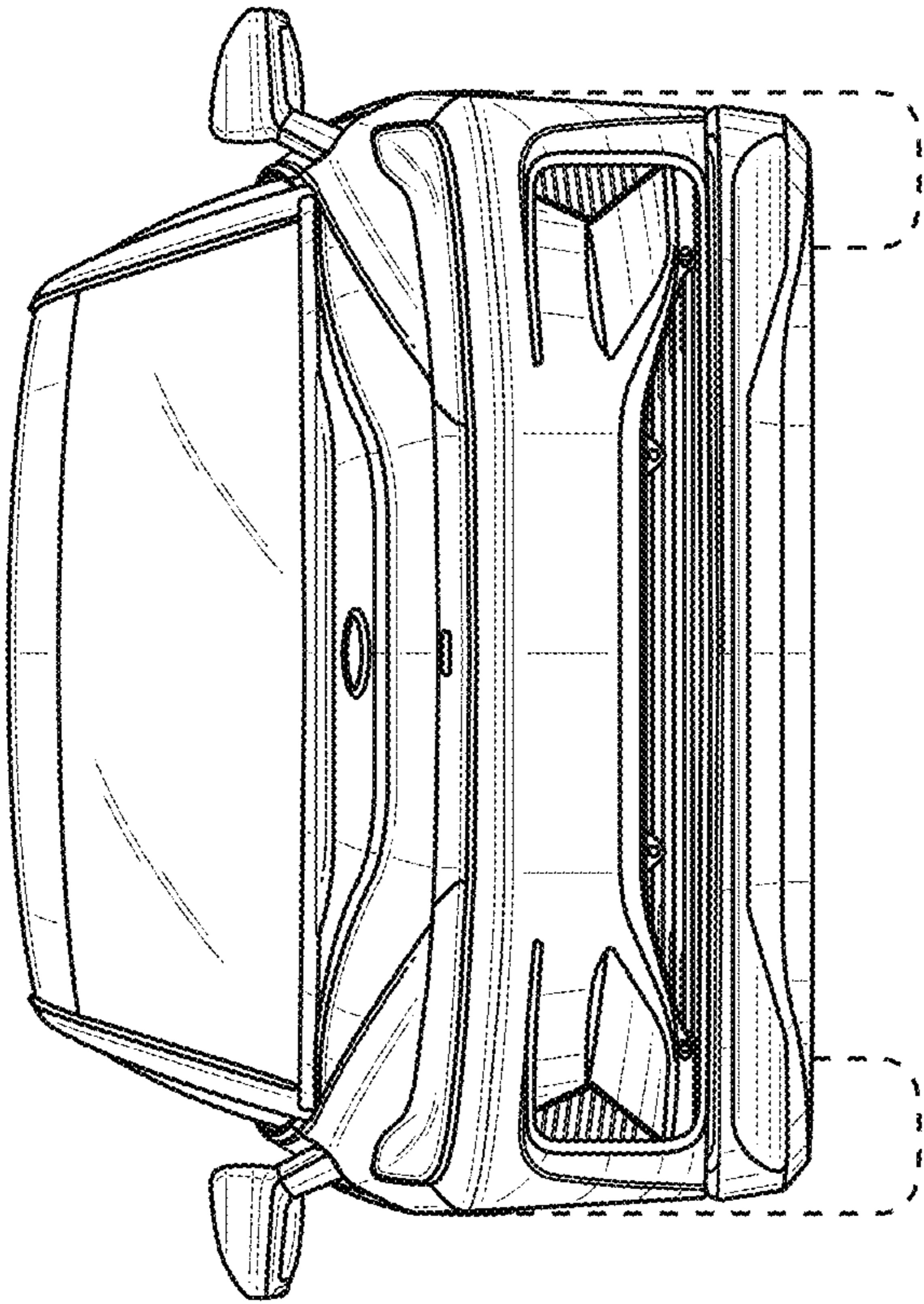


FIG. 3

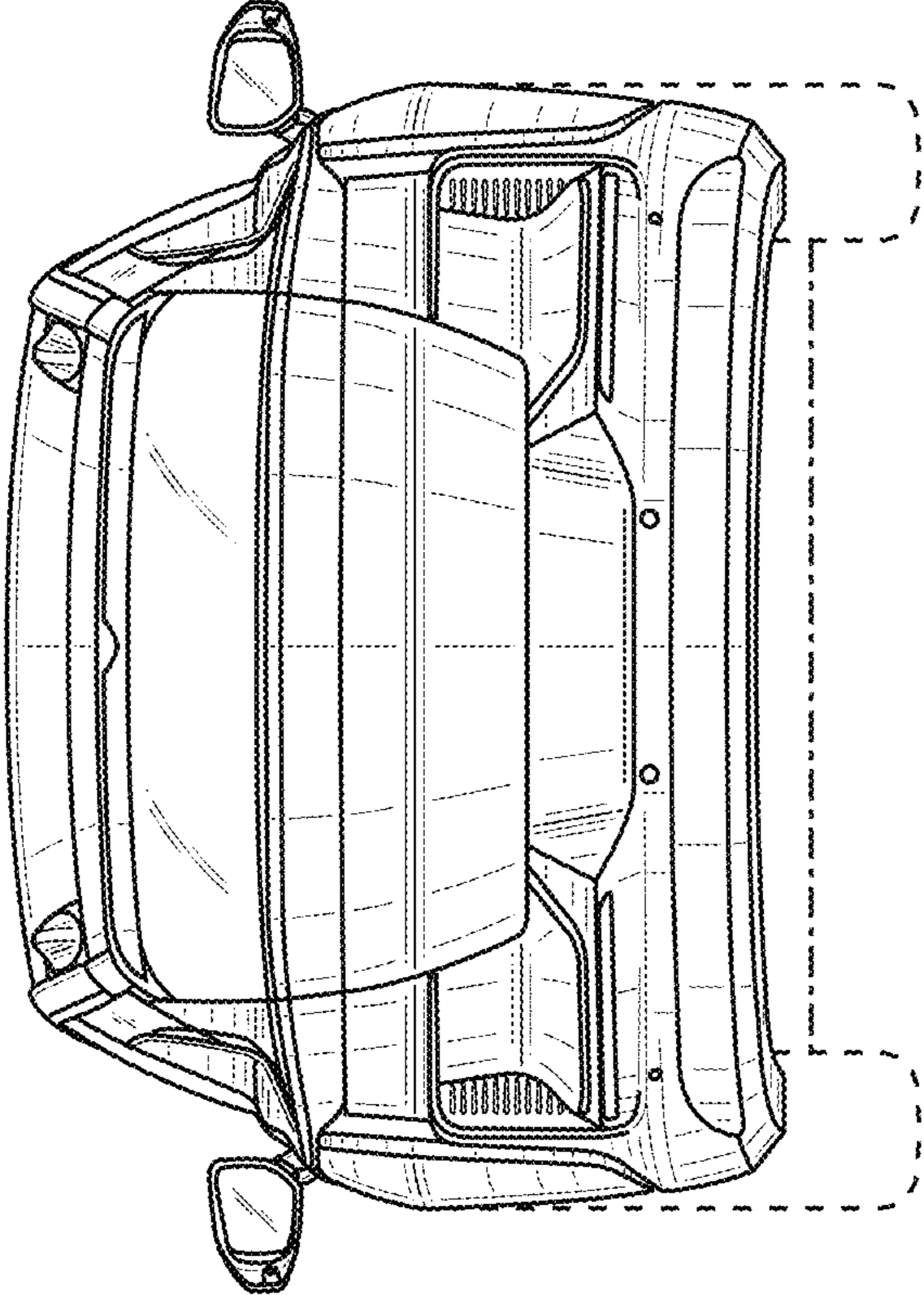


FIG. 4

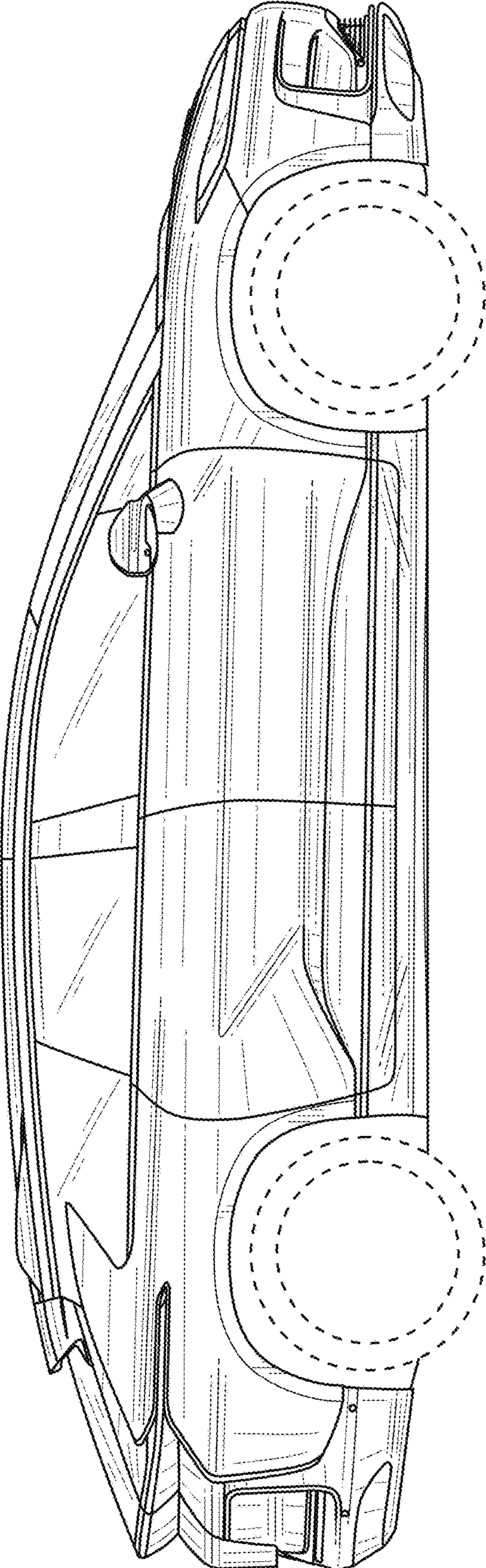


FIG. 5

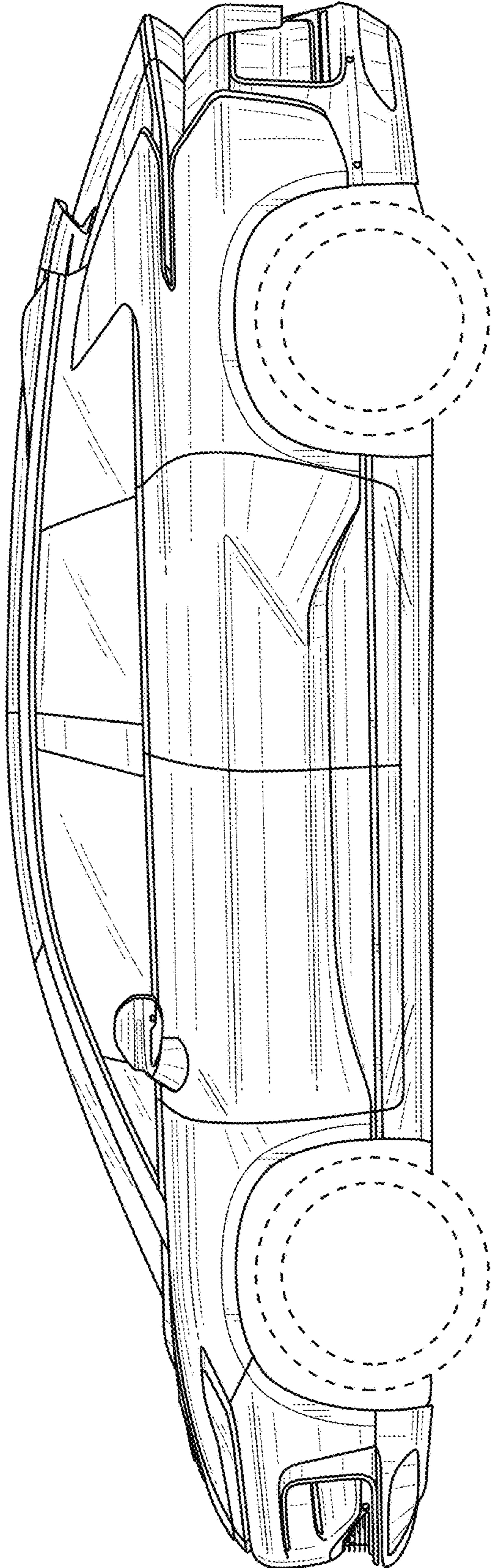


FIG. 6

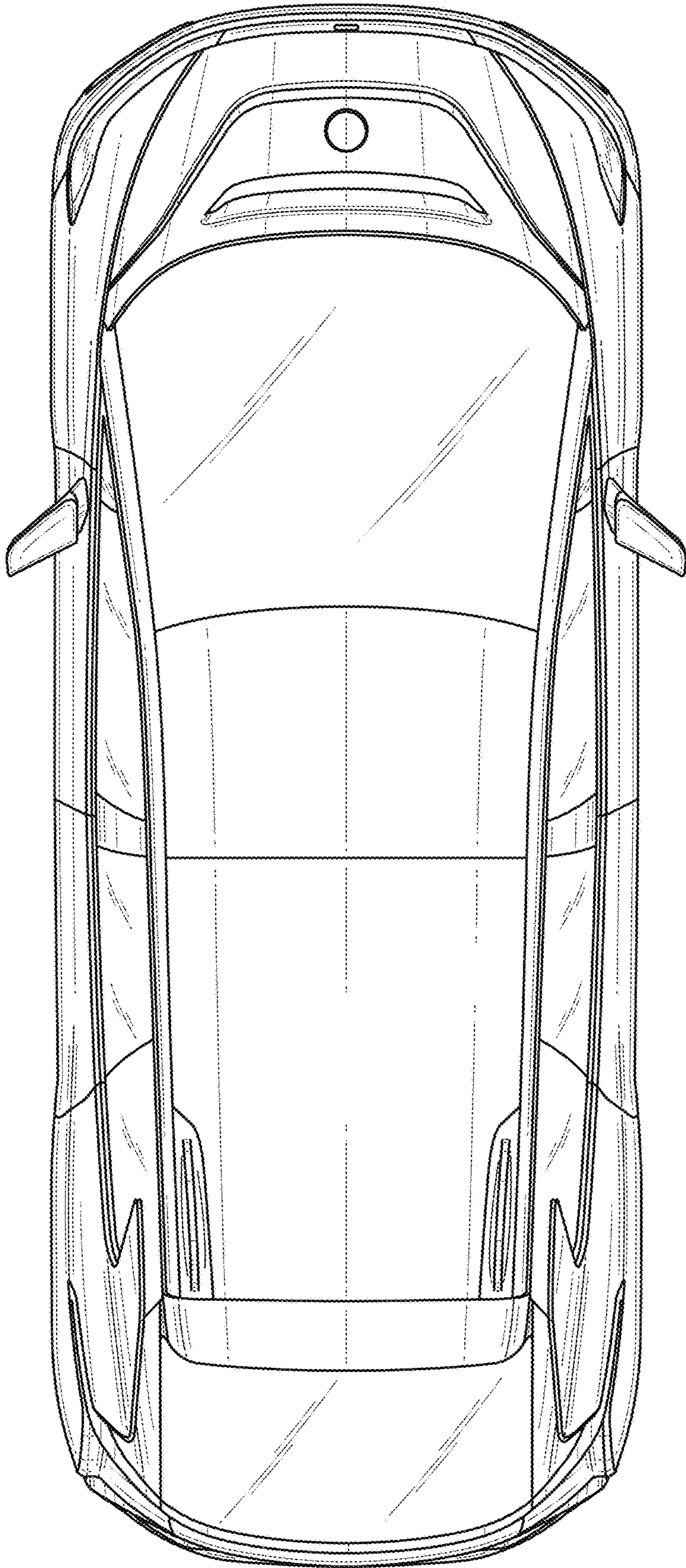


FIG. 7

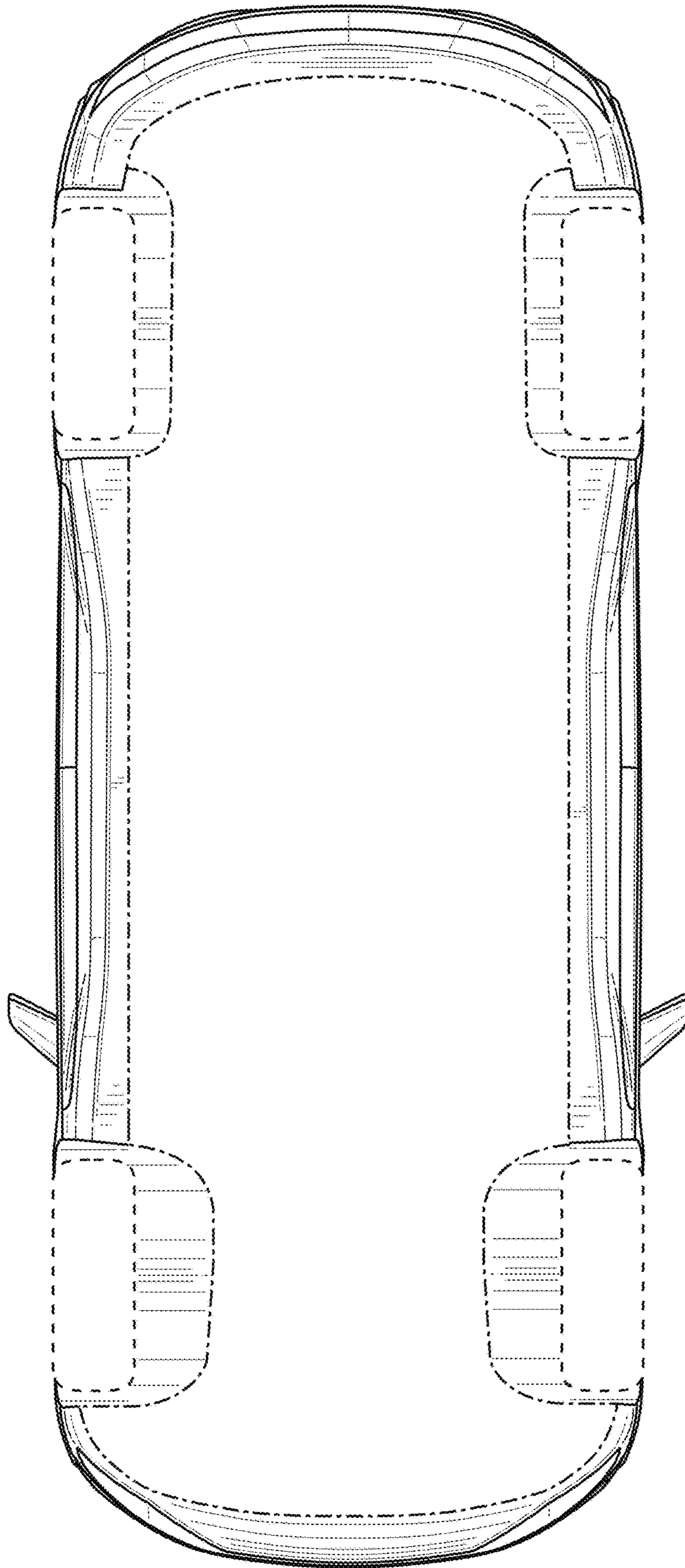


FIG. 8