



US00D814350S

(12) **United States Design Patent** (10) **Patent No.:** **US D814,350 S**
Joo (45) **Date of Patent:** **** Apr. 3, 2018**

(54) **DRONE**
(71) Applicant: **EYEDEA Inc.**, Seoul (KR)
(72) Inventor: **Inhee Joo**, Seoul (KR)
(73) Assignee: **EYEDEA Inc.**, Seoul (KR)
(**) Term: **15 Years**
(21) Appl. No.: **29/590,444**
(22) Filed: **Jan. 10, 2017**

D785,717 S * 5/2017 Xiao D21/441
D798,961 S * 10/2017 Li D12/16.1
D799,402 S * 10/2017 Cummings D12/327
2016/0122017 A1* 5/2016 Welker B64C 39/024
244/17.23
2016/0179096 A1* 6/2016 Bradlow B64C 19/00
701/8
2017/0174336 A1* 6/2017 Baba B64C 27/08
2017/0217323 A1* 8/2017 Antonini B60L 11/1816
2017/0225792 A1* 8/2017 Wang B64D 17/70
2017/0269609 A1* 9/2017 Bradlow G05D 1/102
2017/0274983 A1* 9/2017 Beckman B64C 11/48
2017/0297707 A1* 10/2017 Rollefstad B64C 39/024

(30) **Foreign Application Priority Data**

Jul. 14, 2016 (KR) 30-2016-0034383

(51) **LOC (11) Cl.** **12-07**

(52) **U.S. Cl.**
USPC **D12/16.1**

(58) **Field of Classification Search**
USPC D12/3, 16.1, 319-345; D21/436-455
CPC B64C 39/024; B64C 2201/108
See application file for complete search history.

(56) **References Cited**

U.S. PATENT DOCUMENTS

D139,424 S * 11/1944 Bates 244/17.11
D181,641 S * 12/1957 Gotsch D21/444
D217,839 S * 6/1970 Gluhareff D12/325
D245,635 S * 8/1977 Campbell D21/441
D249,177 S * 8/1978 Loomis D21/448
D249,178 S * 8/1978 Loomis D21/448
D418,475 S * 1/2000 Milde, Jr. D12/320
D430,530 S * 9/2000 Milde, Jr. D12/320
D465,196 S * 11/2002 Dammar D12/328
D760,624 S * 7/2016 Balaesque D12/16.1
D763,134 S * 8/2016 Wang D12/16.1
D772,991 S * 11/2016 Caubel D12/16.1
9,527,588 B1 * 12/2016 Rollefstad B64C 39/024
D783,727 S * 4/2017 Xiao D21/441
D784,854 S * 4/2017 Huang D12/16.1

OTHER PUBLICATIONS

Eyedeas drone by Korea Herald. dated Jun. 2, 2017. found online [Oct. 26, 2017] <http://www.koreaherald.com/view.php?ud=20170602000589>.*

* cited by examiner

Primary Examiner — Robert M. Spear
Assistant Examiner — Marissa J Cash
(74) *Attorney, Agent, or Firm* — Novick, Kim & Lee, PLLC; Jae Youn Kim

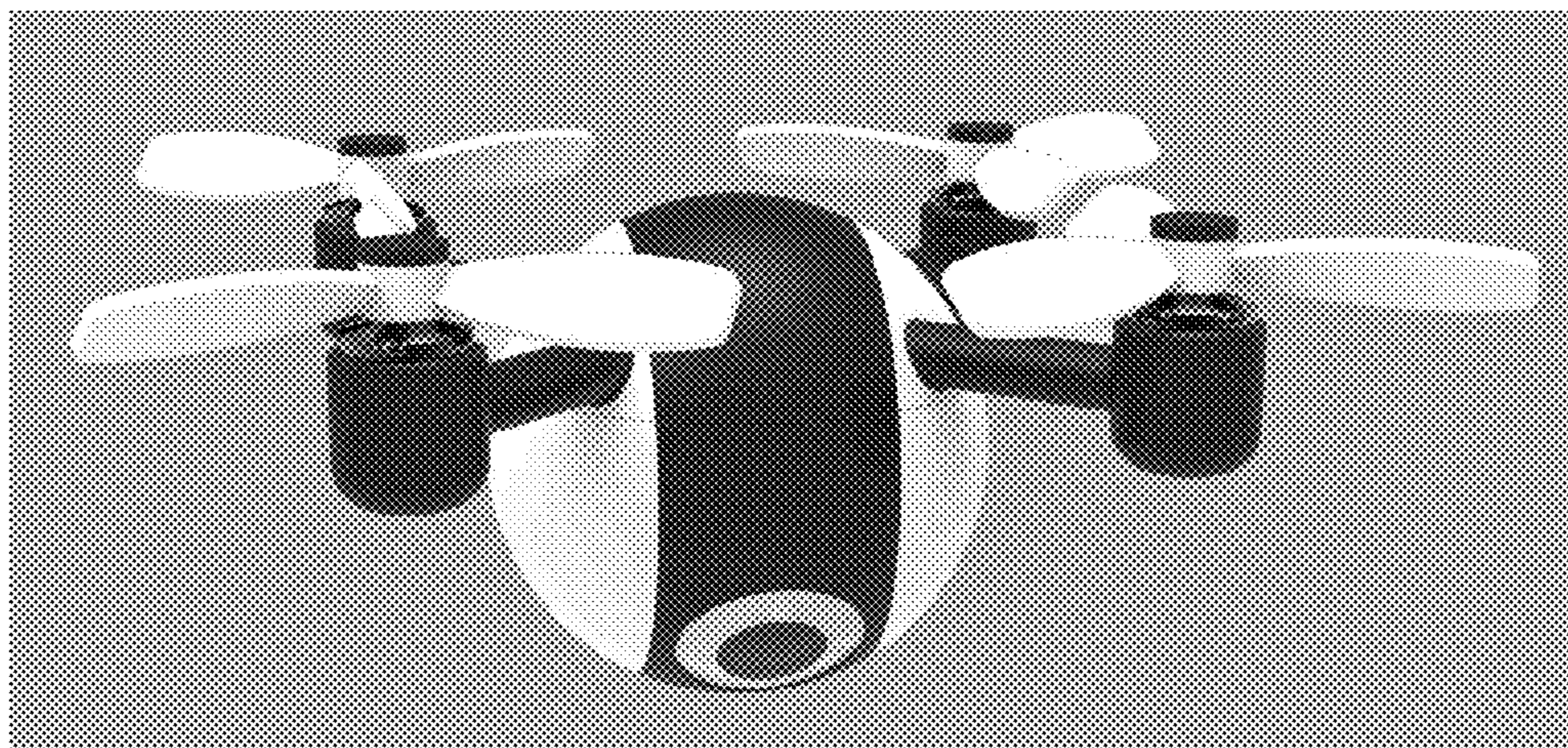
(57) **CLAIM**

I claim the ornamental design for a drone, as shown and described.

DESCRIPTION

FIG. 1 is a front perspective view of a drone according to my new design;
FIG. 2 is a front elevational view thereof;
FIG. 3 is a rear elevational view thereof;
FIG. 4 is a left elevational view thereof;
FIG. 5 is a right side elevational view thereof;
FIG. 6 is a top plan view thereof; and,
FIG. 7 is a bottom plan view thereof.

1 Claim, 5 Drawing Sheets



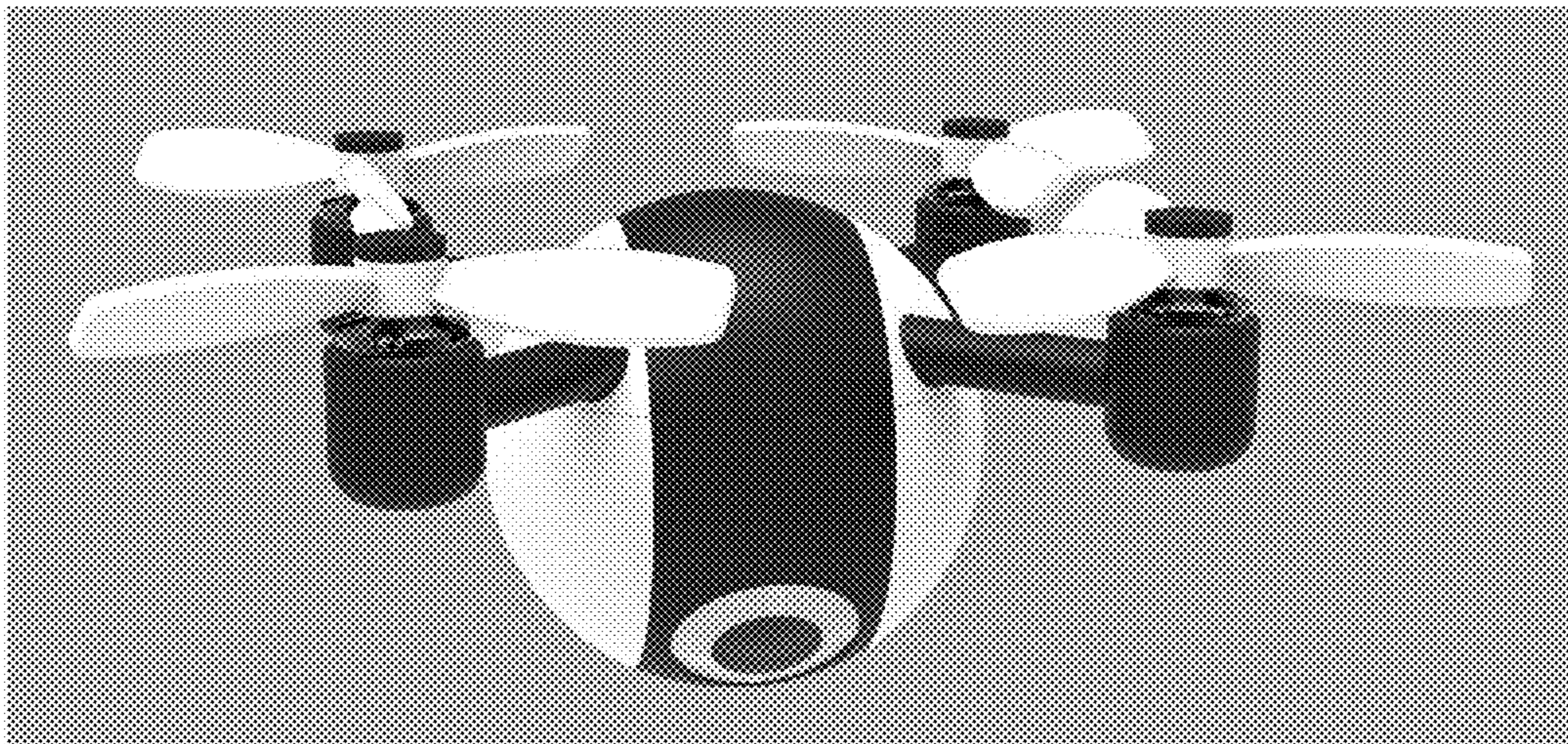


FIG. 1

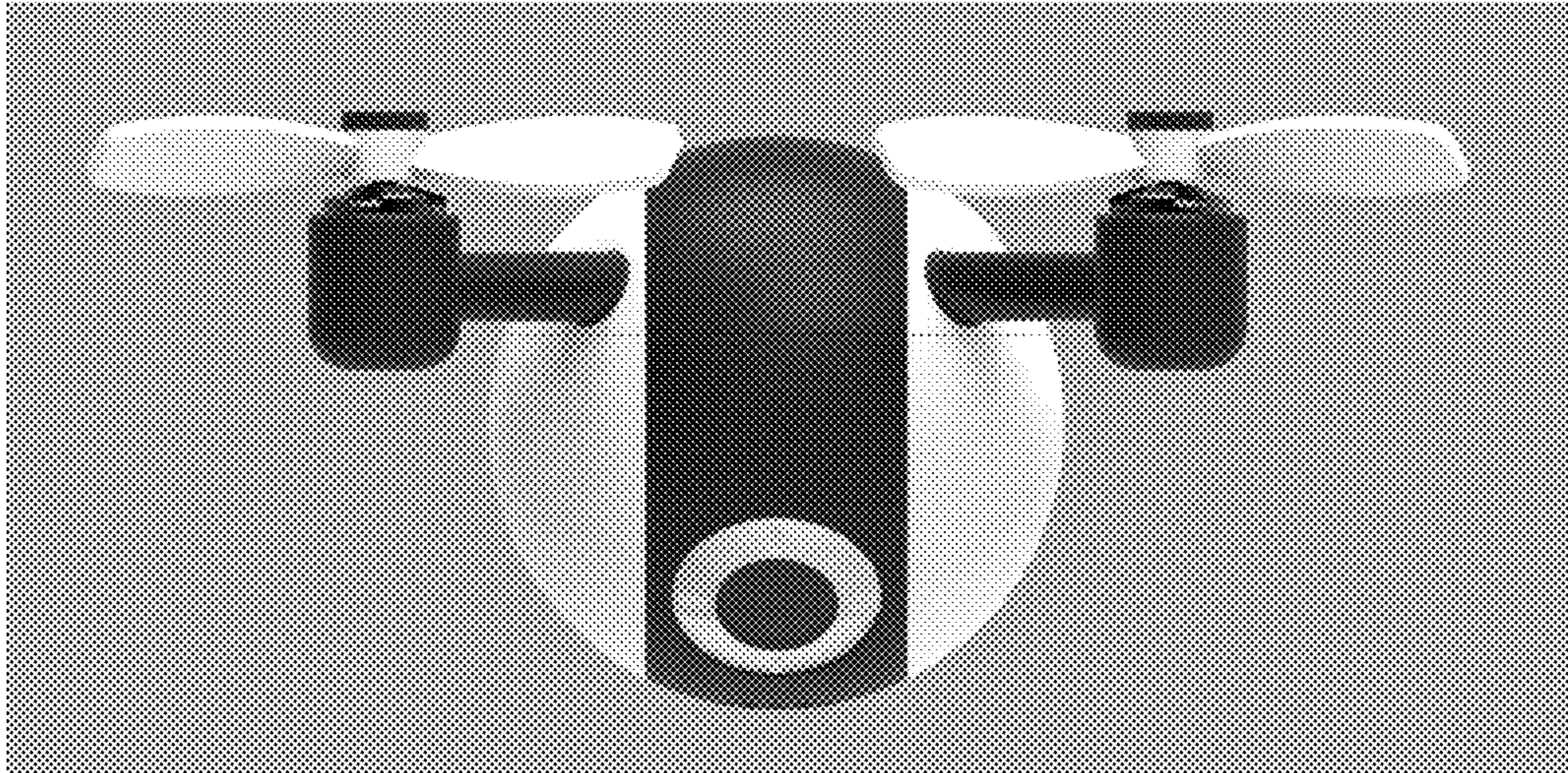


FIG. 2

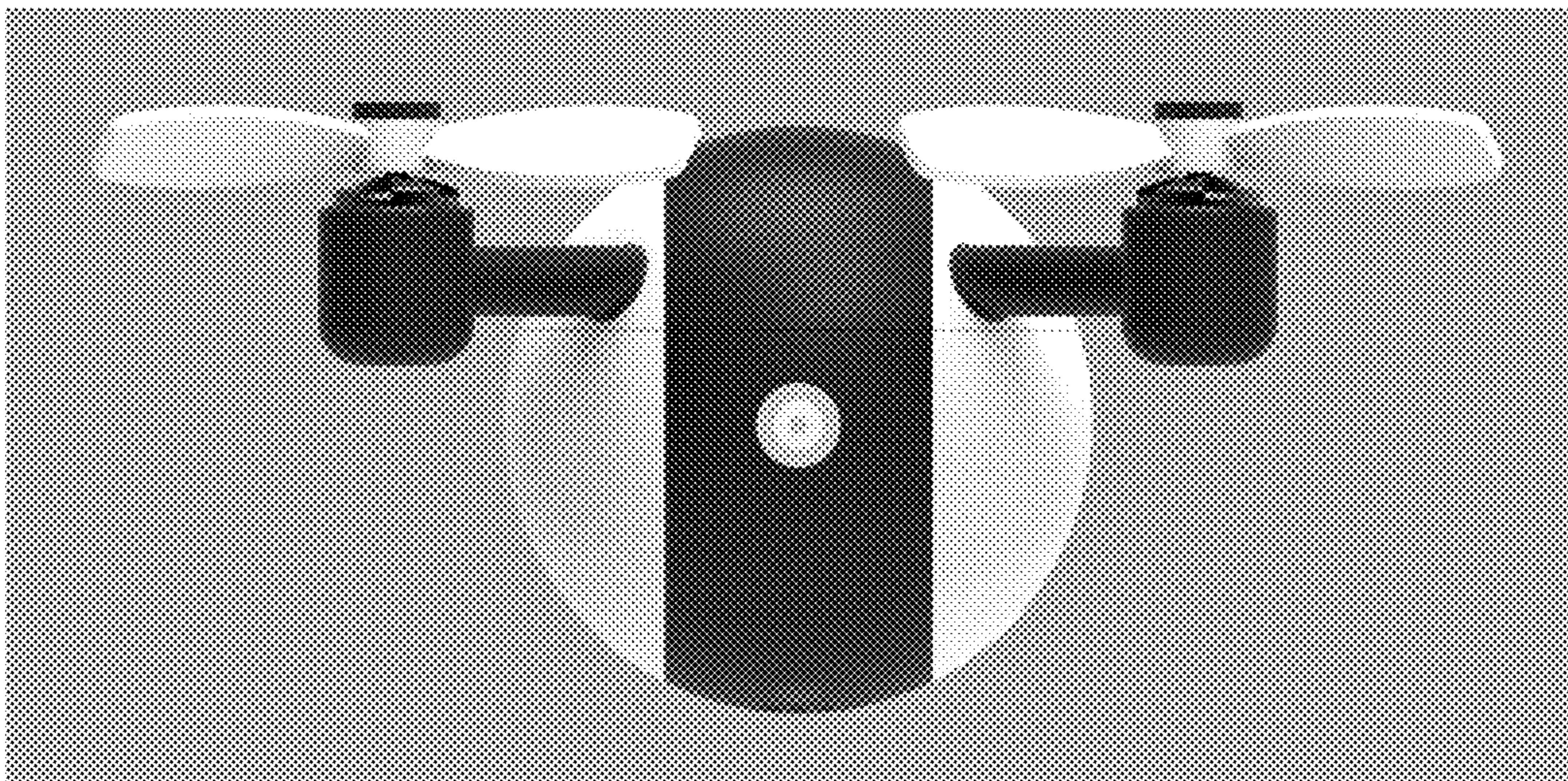


FIG. 3

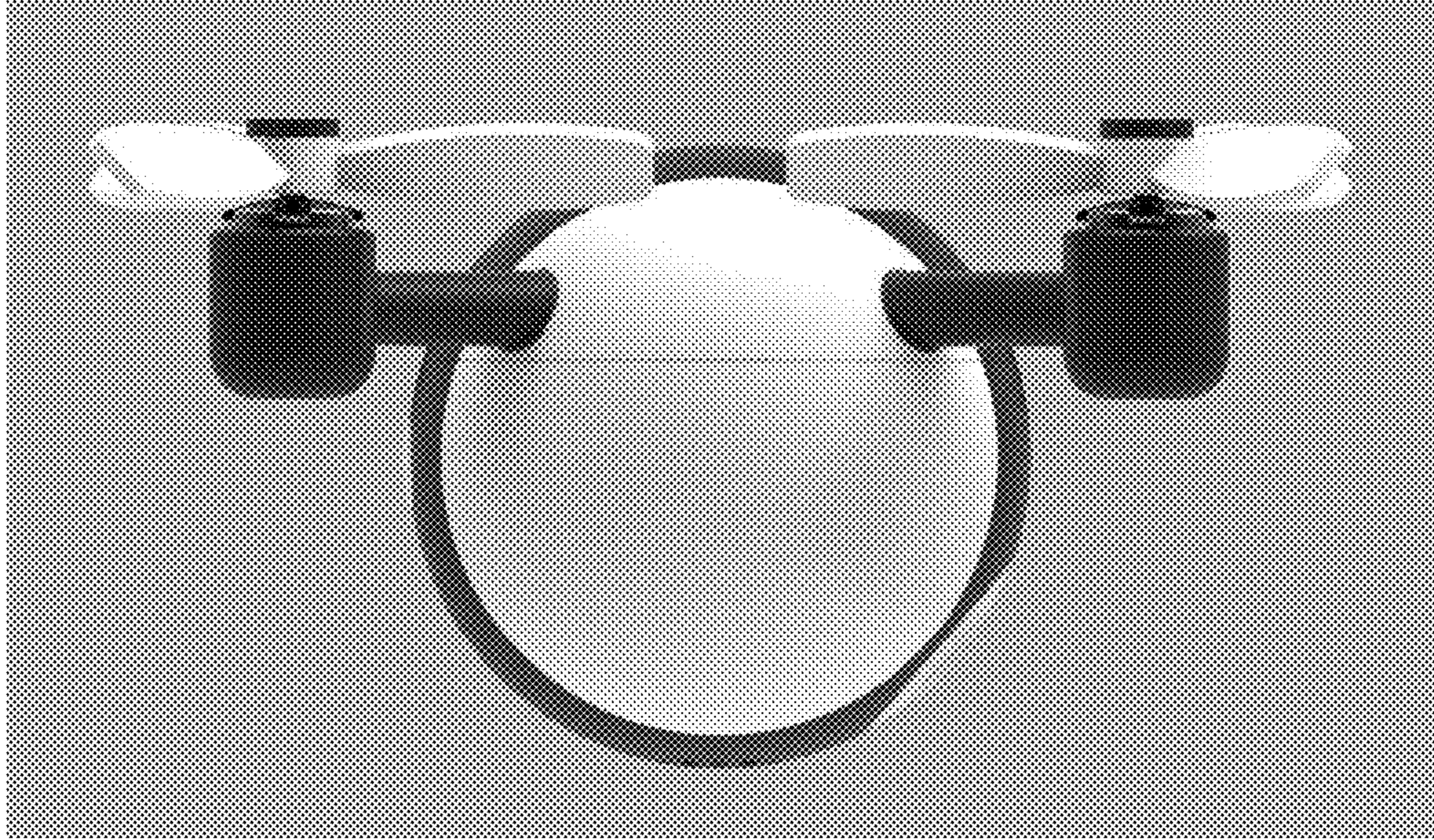


FIG. 4

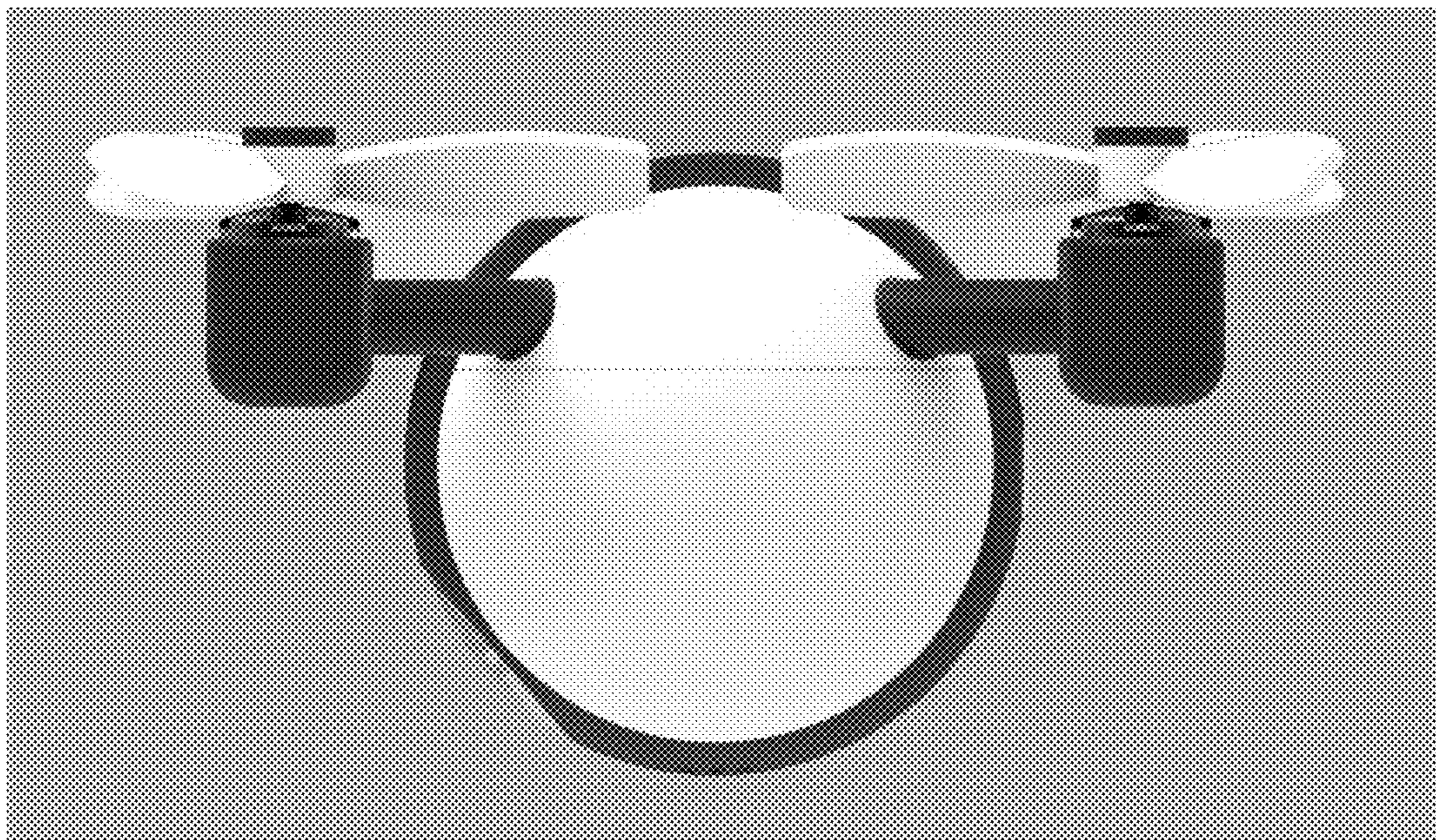


FIG. 5

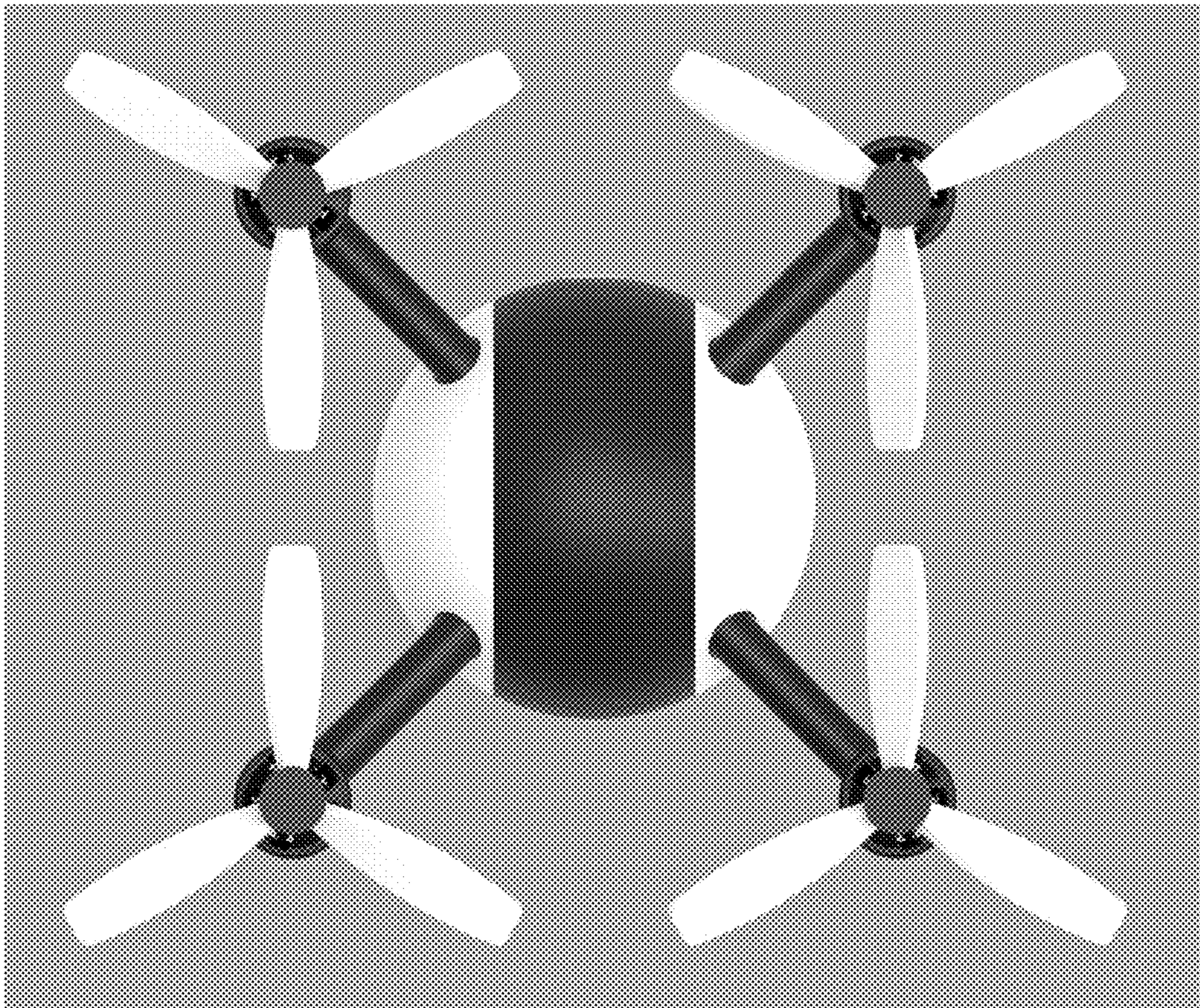


FIG. 6



FIG. 7