



US00D814349S

(12) **United States Design Patent**  
**Ettinger**

(10) **Patent No.:** **US D814,349 S**

(45) **Date of Patent:** **\*\* Apr. 3, 2018**

(54) **UNMANNED AERIAL VEHICLE**

(71) Applicant: **Kyle John Ettinger**, Cupertino, CA  
(US)

(72) Inventor: **Kyle John Ettinger**, Cupertino, CA  
(US)

(\*\*) Term: **15 Years**

(21) Appl. No.: **29/543,484**

(22) Filed: **Oct. 25, 2015**

(51) **LOC (11) Cl.** ..... **12-16**

(52) **U.S. Cl.**  
USPC ..... **D12/16.1**

(58) **Field of Classification Search**  
USPC ..... D21/436, 438-441, 446-450, 453;  
D12/16.1, 19, 322, 323, 326, 327, 328,  
D12/329, 330, 339, 341, 342, 343, 344  
CPC ..... B64C 39/024; B64C 2201/128; B64C  
2201/108; B64C 2201/146; B64C  
2201/127; B64C 27/08; B64C 2201/024;  
B64C 2201/027; B64C 2201/088  
See application file for complete search history.

(56) **References Cited**

**U.S. PATENT DOCUMENTS**

D189,462 S *	12/1960	Vogt	.....	D12/329
5,297,759 A *	3/1994	Tilbor	.....	B64C 27/16 244/17.11
7,273,195 B1 *	9/2007	Golliher	.....	A63H 27/12 244/17.11
D697,145 S *	1/2014	Wong	.....	D21/436
D734,400 S *	7/2015	Rehkemper	.....	D12/323

D741,751 S *	10/2015	Klaptocz	.....	D12/16.1
D761,690 S *	7/2016	Friesmuth	.....	D12/16.1
D763,133 S *	8/2016	Ketcher	.....	D12/16.1
D766,159 S *	9/2016	Noorani	.....	D12/345
2010/0224723 A1 *	9/2010	Apkarian	.....	A63H 27/12 244/65
2012/0018579 A1 *	1/2012	Yan	.....	A63H 27/12 244/119

\* cited by examiner

*Primary Examiner* — Michael A Pratt

(74) *Attorney, Agent, or Firm* — Brian Billett

(57) **CLAIM**

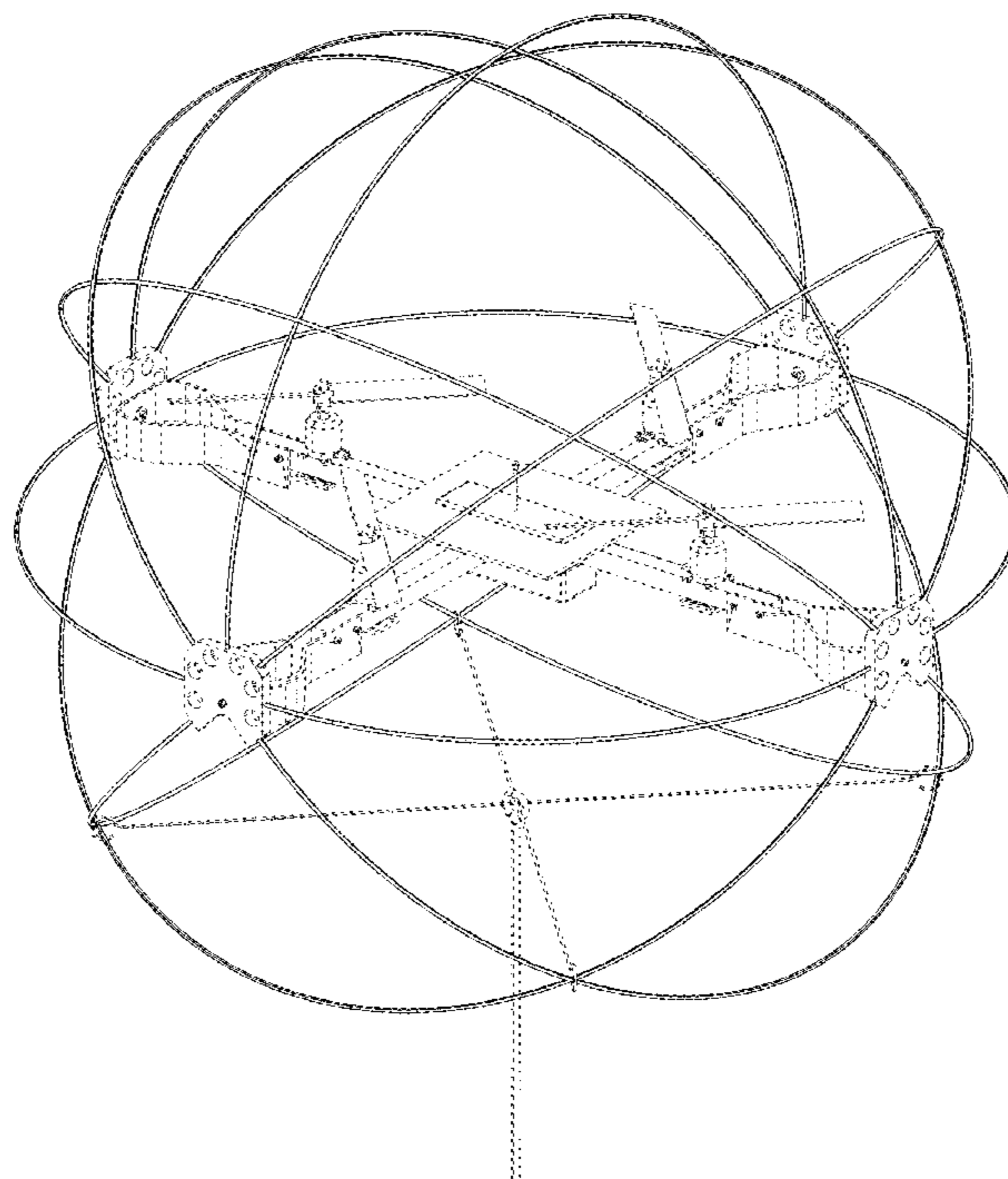
I claim the ornamental design for an unmanned aerial vehicle, as shown and described.

**DESCRIPTION**

FIG. 1 is a perspective view of an unmanned aerial vehicle in accordance with the present design;  
FIG. 2 is a front view thereof;  
FIG. 3 is a back view thereof;  
FIG. 4 is a left side view thereof;  
FIG. 5 is a right side view thereof;  
FIG. 6 is a top view thereof; and,  
FIG. 7 is a bottom view thereof.

The broken line showings of the unmanned aerial vehicle are included for the purpose of illustrating portions of the unmanned aerial vehicle and form no part of the claimed design.

**1 Claim, 7 Drawing Sheets**



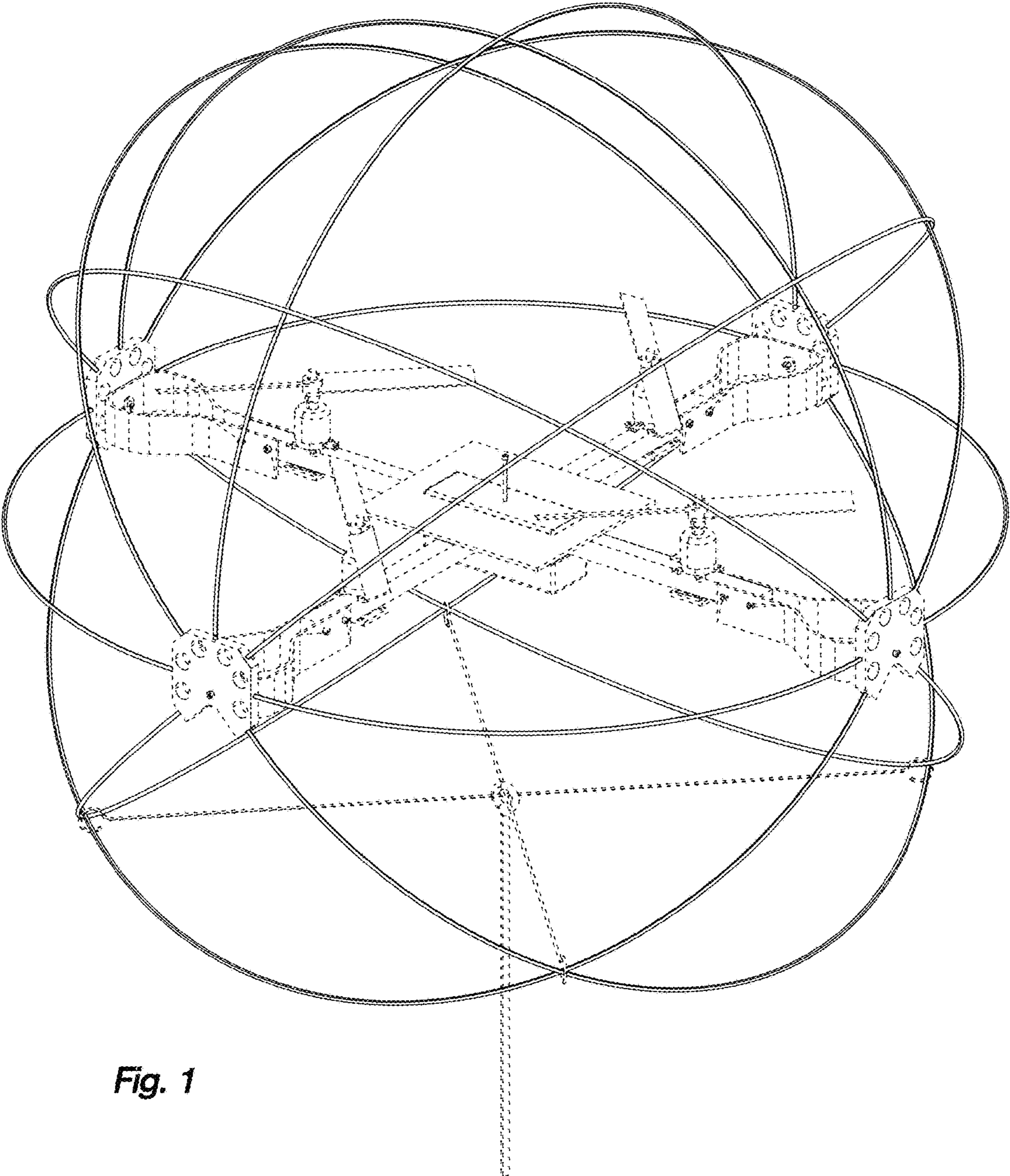
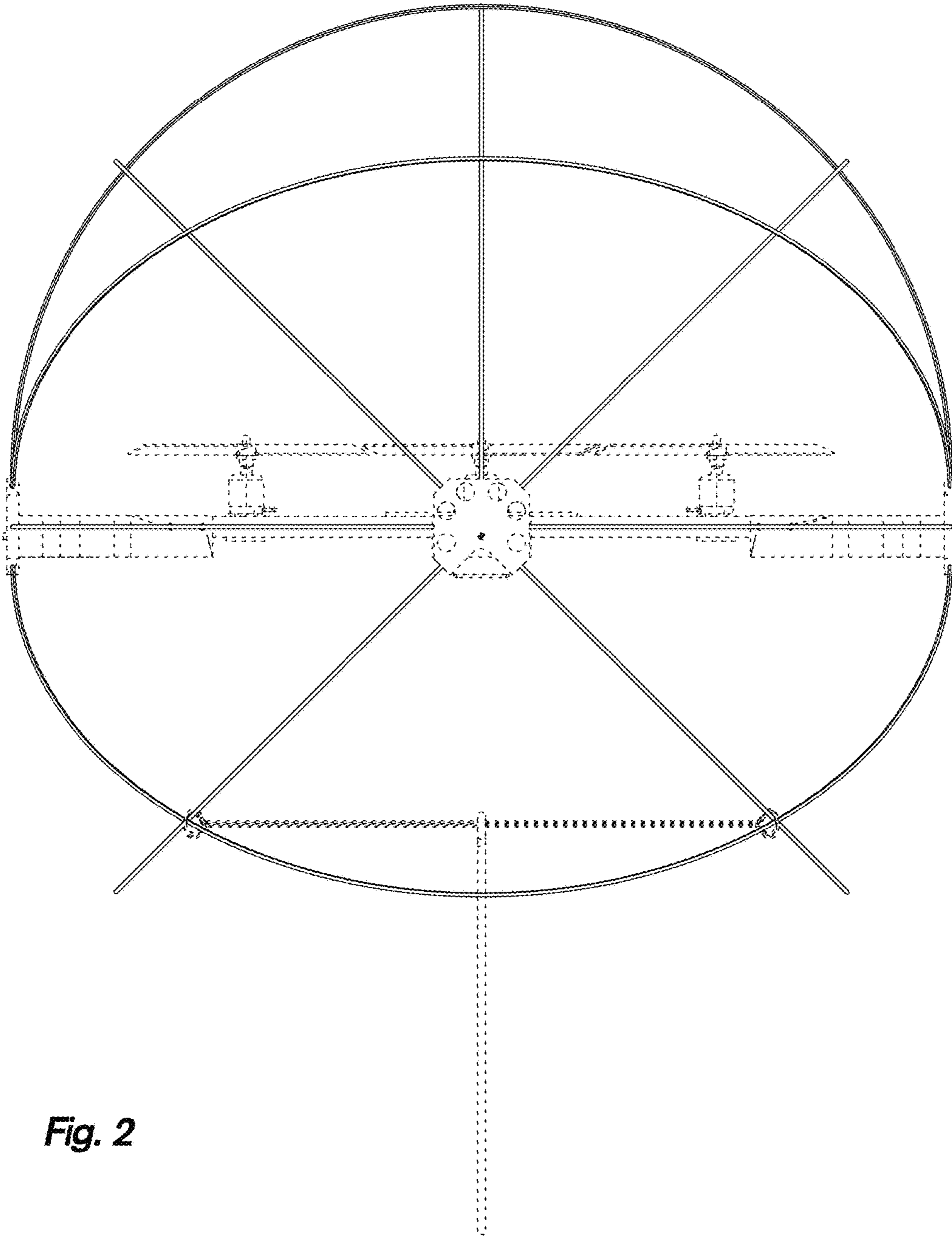
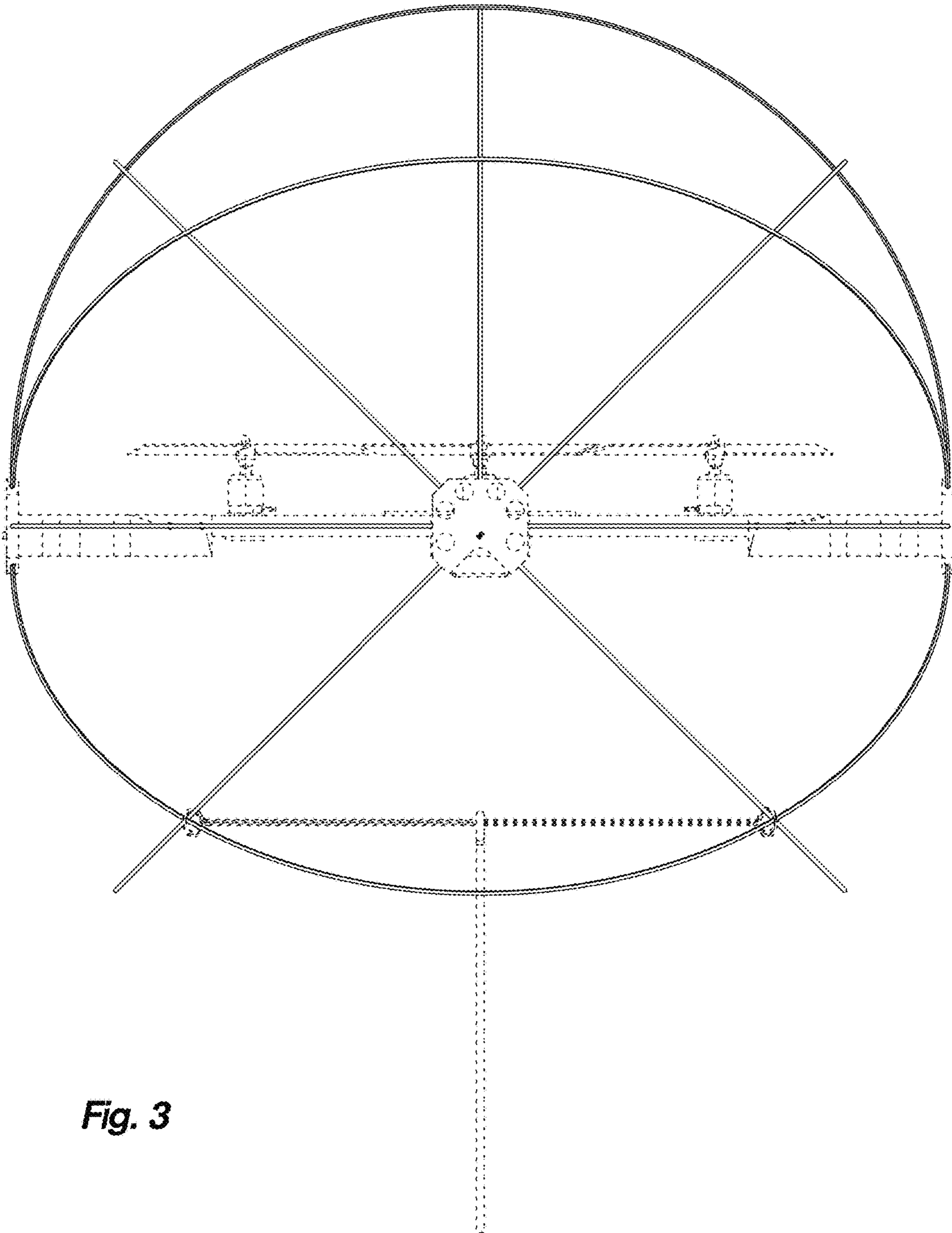


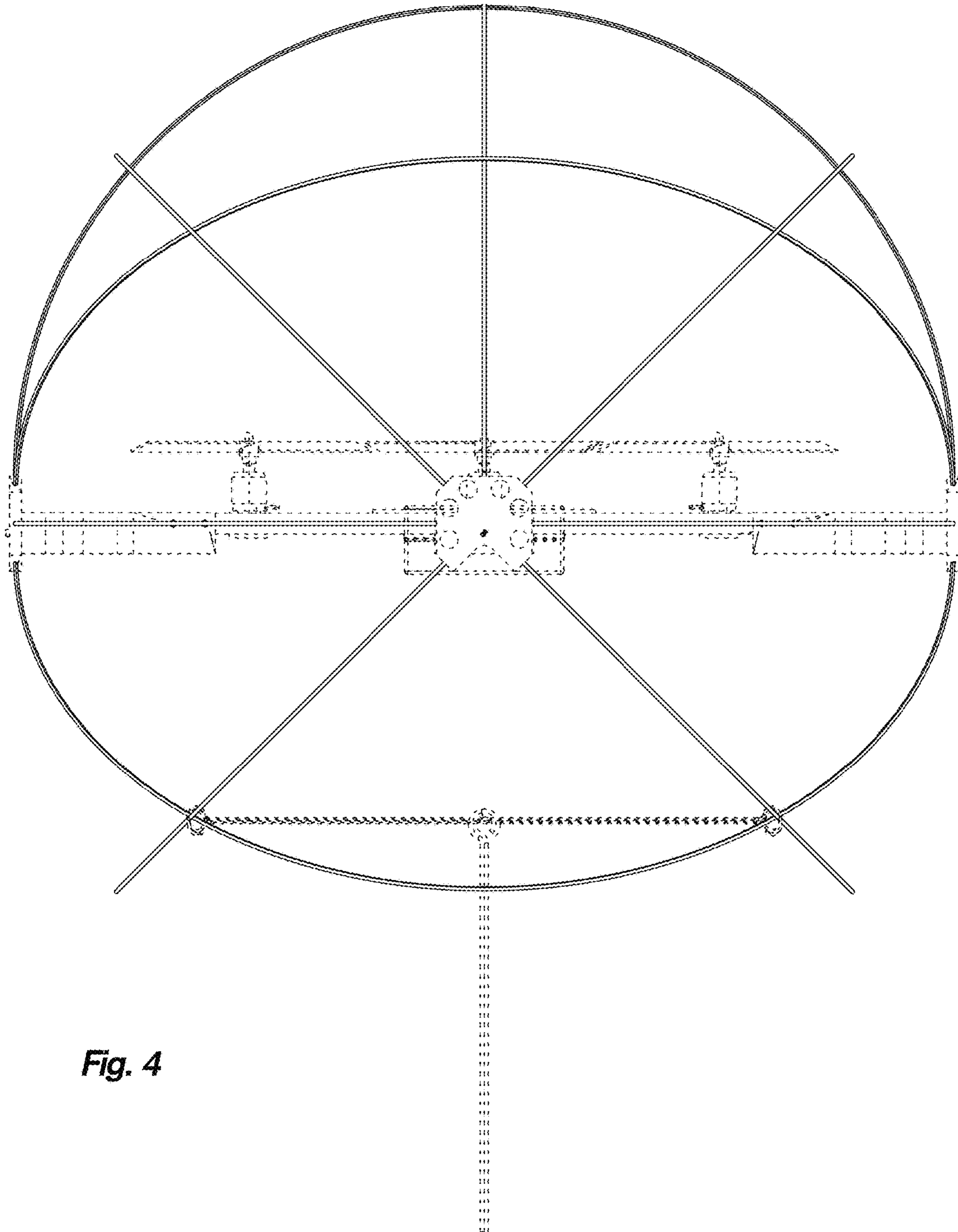
Fig. 1



**Fig. 2**



**Fig. 3**



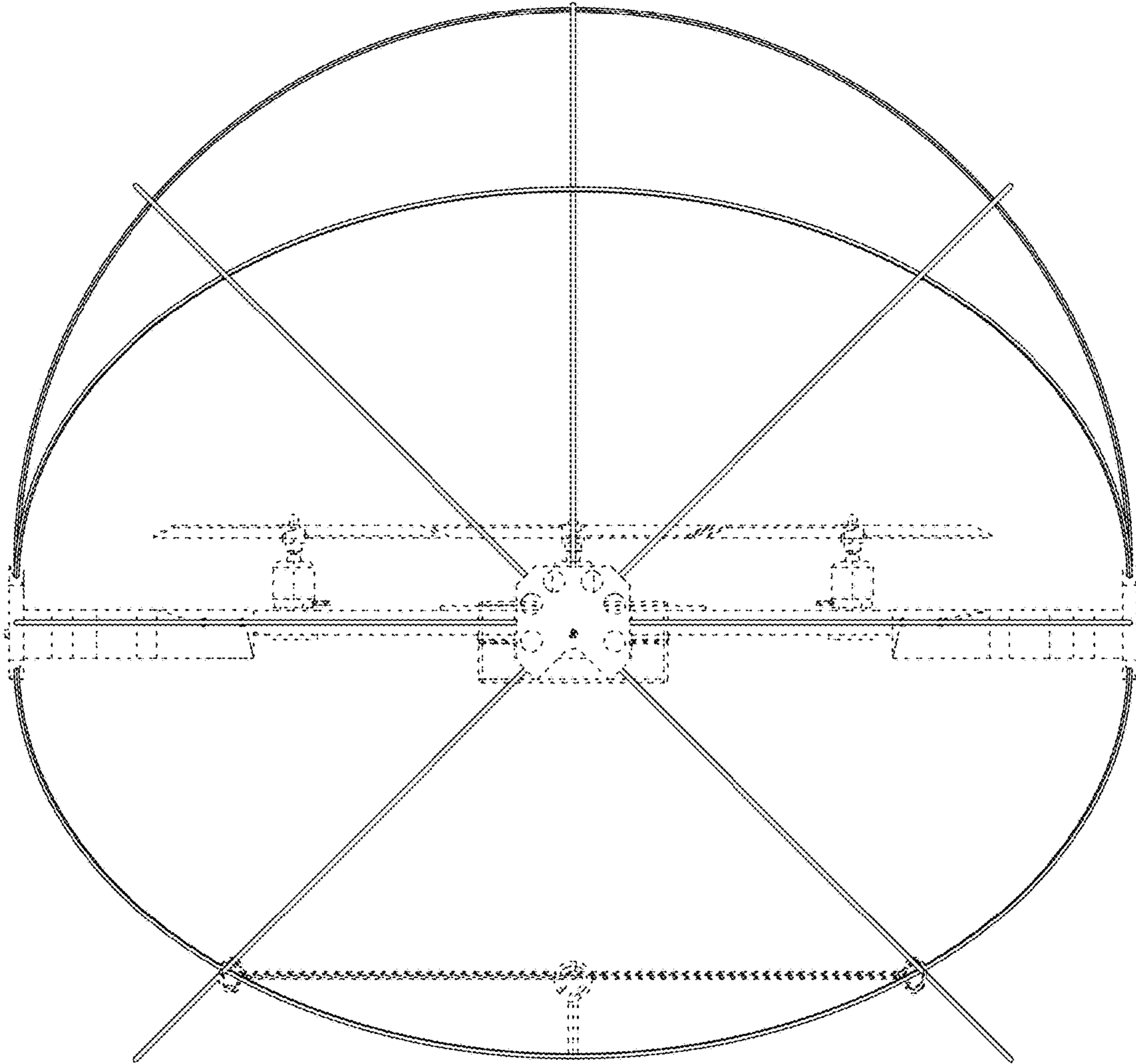
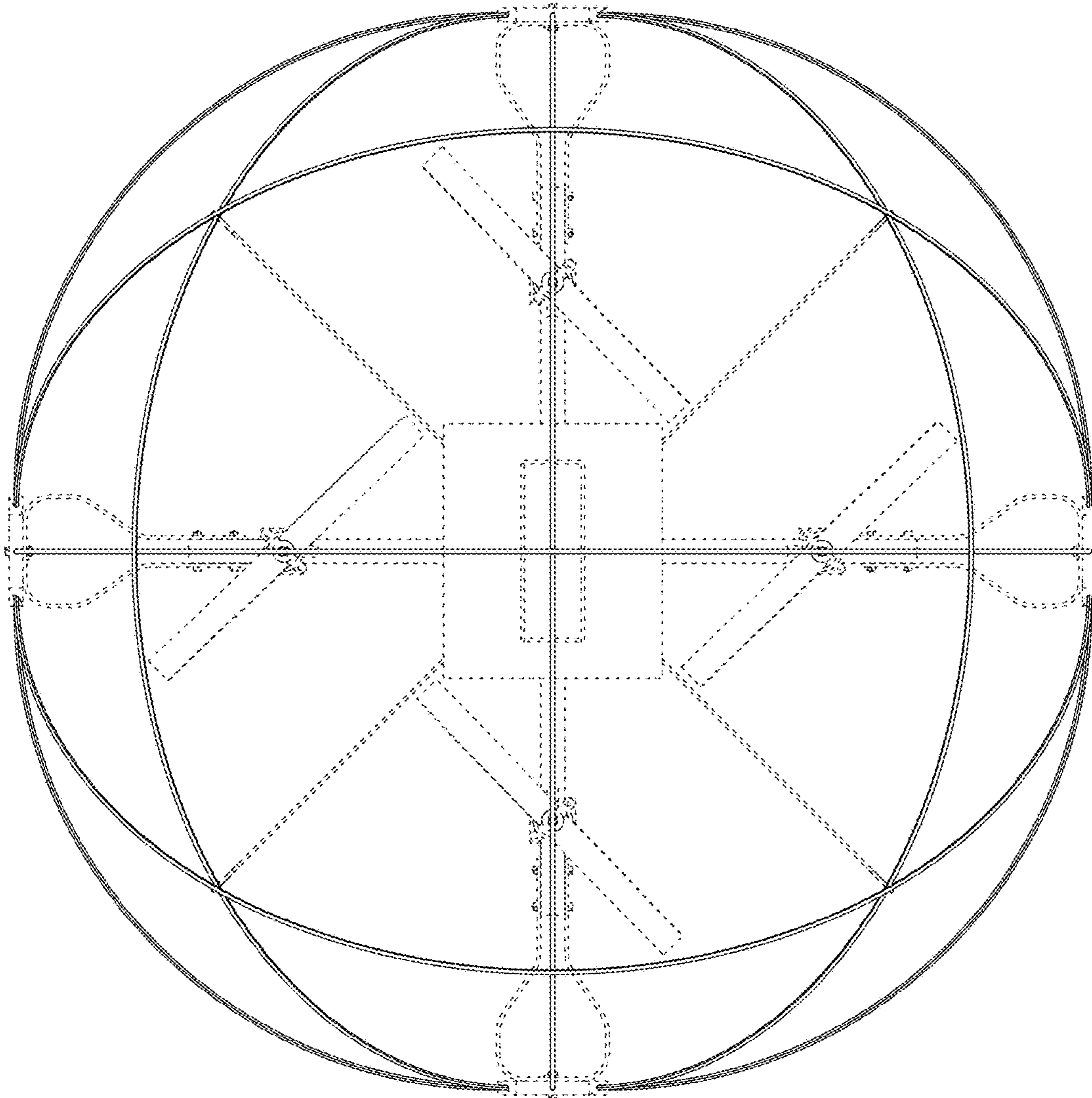


Fig. 5

311  
312  
313  
314  
315  
316  
317  
318  
319  
320  
321  
322  
323  
324  
325  
326  
327  
328  
329  
330  
331  
332  
333  
334  
335  
336  
337  
338  
339  
340  
341  
342  
343  
344  
345  
346  
347  
348  
349  
350  
351  
352  
353  
354  
355  
356  
357  
358  
359  
360  
361  
362  
363  
364  
365  
366  
367  
368  
369  
370  
371  
372  
373  
374  
375  
376  
377  
378  
379  
380  
381  
382



**Fig. 6**

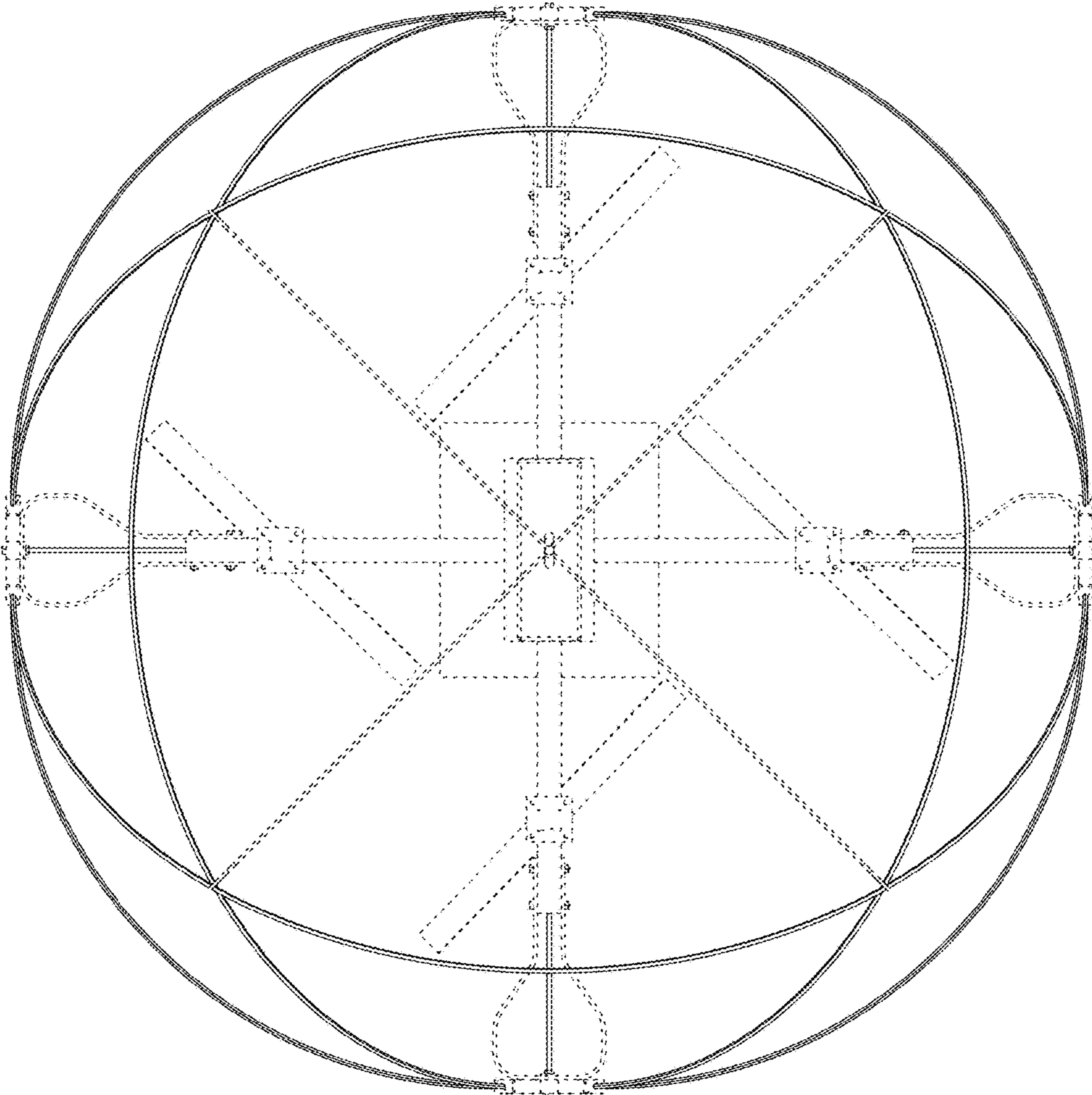


Fig. 7