



US00D814347S

(12) **United States Design Patent**
Kushita et al.

(10) **Patent No.:** **US D814,347 S**
(45) **Date of Patent:** **** Apr. 3, 2018**

(54) **TRANSPORT VEHICLE**
(71) Applicant: **Kubota Corporation**, Osaka (JP)
(72) Inventors: **Yoshihiro Kushita**, Sakai (JP); **Wataru Sasaki**, Sakai (JP)
(73) Assignee: **Kubota Corporation**, Osaka (JP)
(**) Term: **15 Years**

(21) Appl. No.: **29/550,021**
(22) Filed: **Dec. 30, 2015**

(30) **Foreign Application Priority Data**

Jul. 2, 2015 (JP) 2015-014731
(51) **LOC (11) Cl.** **12-13**
(52) **U.S. Cl.**
USPC **D12/14**
(58) **Field of Classification Search**
USPC D6/362; D12/1, 14, 16, 82, 86, 87, 88,
D12/92, 96, 107, 112, 113, 164, 173;
D15/10; D21/551, 556, 559; D34/15
CPC B60R 2021/0074; B60R 2021/0083; B60R
2021/0097; B60K 17/356; B62D 25/08;
B62D 33/02; B62D 21/18; B60N 3/08
See application file for complete search history.

(56) **References Cited**

U.S. PATENT DOCUMENTS

D511,317 S * 11/2005 Tanaka D12/1
D521,413 S * 5/2006 Katoh D12/1
D548,148 S * 8/2007 Woodard, Jr. D12/173
D548,149 S * 8/2007 Woodard, Jr. D12/173
D607,377 S * 1/2010 Shimomura D12/14
7,950,486 B2 * 5/2011 Van Bronkhorst .. B60G 15/063
180/89.11
D679,627 S * 4/2013 Li D12/14
D714,186 S * 9/2014 Wu D12/14

D716,185 S 10/2014 Higashikawa
D716,693 S 11/2014 Higashikawa
D716,694 S 11/2014 Higashikawa
D764,349 S * 8/2016 Kuramoto D12/14
9,511,761 B2 * 12/2016 Yagyu B60W 20/30
2010/0314182 A1 * 12/2010 Crain B60K 1/04
180/60
2016/0185202 A1 * 6/2016 Ito B60K 5/00
180/291

OTHER PUBLICATIONS

RTV-X Series Utility Vehicles, posted at Youtube.com, posted on Apr. 24, 2014, [online], [site visited Feb. 23, 2017]. Available from Internet, <<https://www.youtube.com/watch?v=uJx3dXivYY>>.*

(Continued)

Primary Examiner — Mary Ann Calabrese
Assistant Examiner — Catherine Ho
(74) *Attorney, Agent, or Firm* — The Webb Law Firm

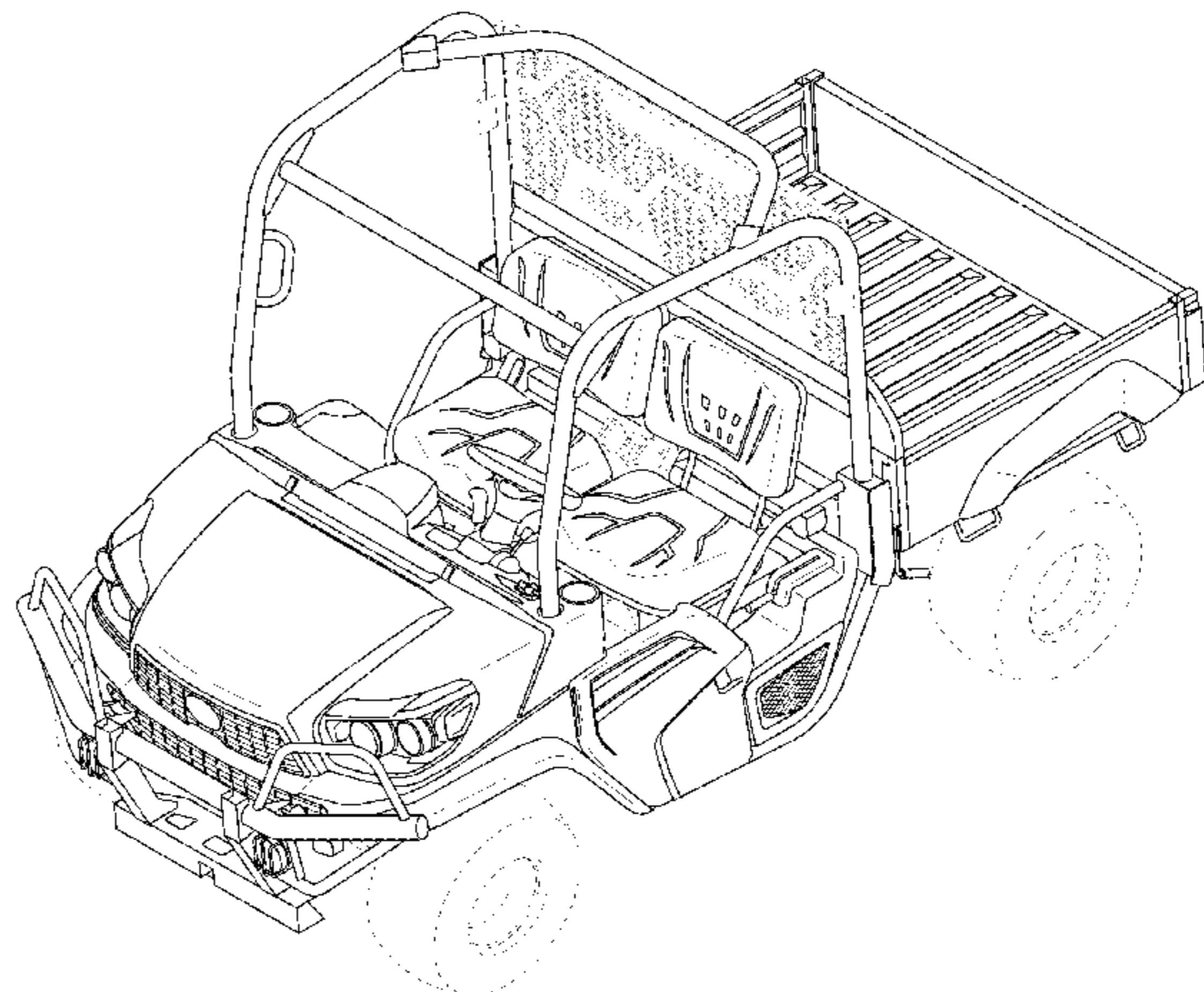
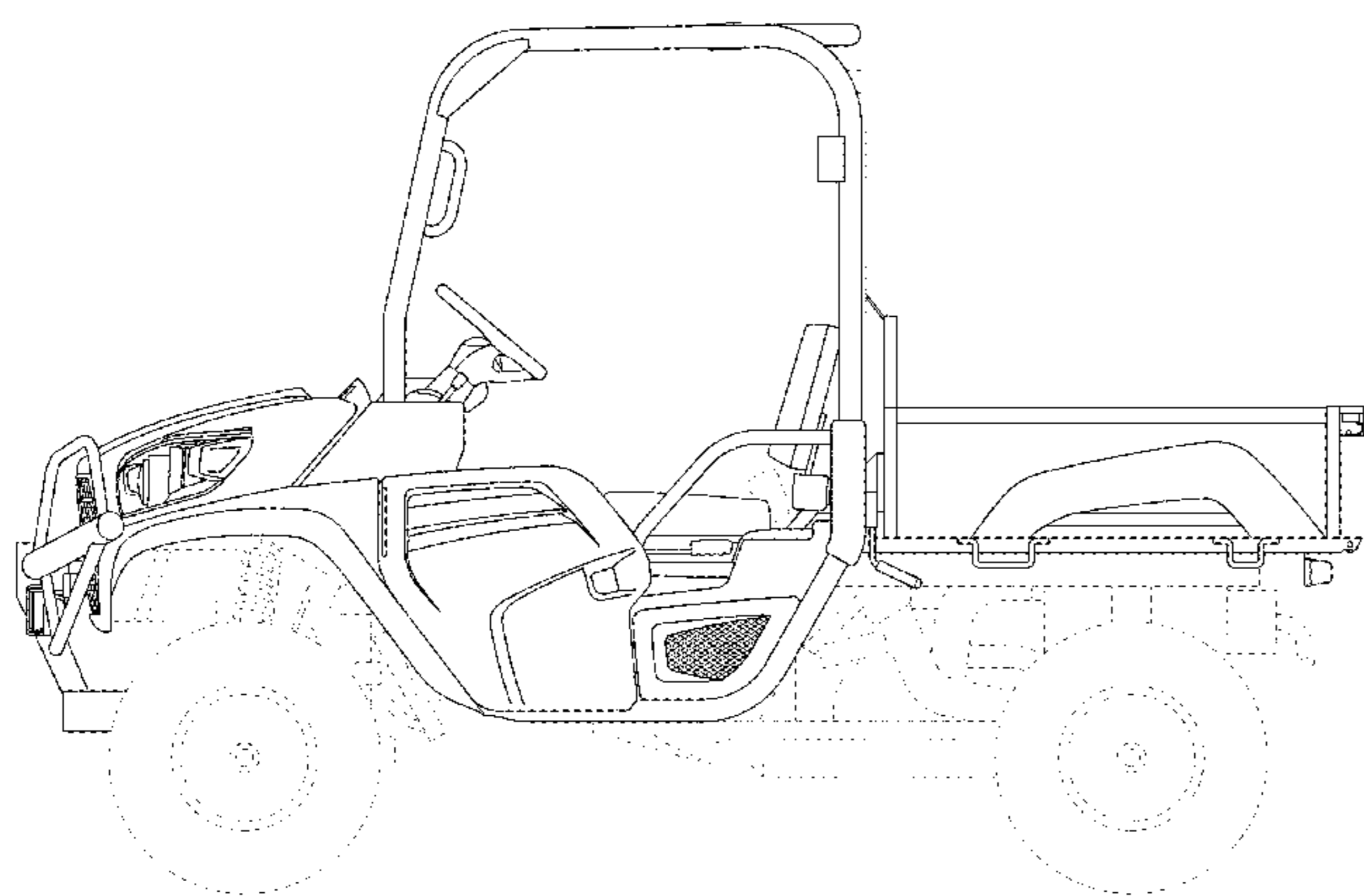
(57) **CLAIM**

The ornamental design for a transport vehicle, as shown and described.

DESCRIPTION

FIG. 1 is a front view of a transport vehicle showing our new design;
FIG. 2 is a rear view thereof;
FIG. 3 is a left side view thereof;
FIG. 4 is a right side view thereof;
FIG. 5 is a top view thereof; and,
FIG. 6 is a perspective view thereof.
The broken line portion of the figure drawings is included to show portions of the article that form no part of the claimed design.
A bottom view is omitted because it is plain and unornamental and forms no part of the subject matter of the claimed design.

1 Claim, 6 Drawing Sheets



(56)

References Cited

OTHER PUBLICATIONS

Kubota Releases RTV X-Series, posted at Totallandscapecare.com, posted on Oct. 25, 2013, [online], [site visited Feb. 23, 2017]. Available from Internet, <<http://www.totallandscapecare.com/newsletter/kubota-releases-rtv-x-series/>>.*

Kubota RTV X-Series Walk Around, posted at Youtube.com, posted on Oct. 24, 2013, [online], [site visited Feb. 23, 2017]. Available from Internet, <<https://www.youtube.com/watch?v=zSx6yrDV15U>>.*

Kubota RTV X-Series Workhorse Week, posted at Youtube.com, posted on Jan. 23, 2014, [online], [site visited Feb. 23, 2017]. Available from Internet, <<https://www.youtube.com/watch?v=V7bf822Z0Qo>>.*

* cited by examiner

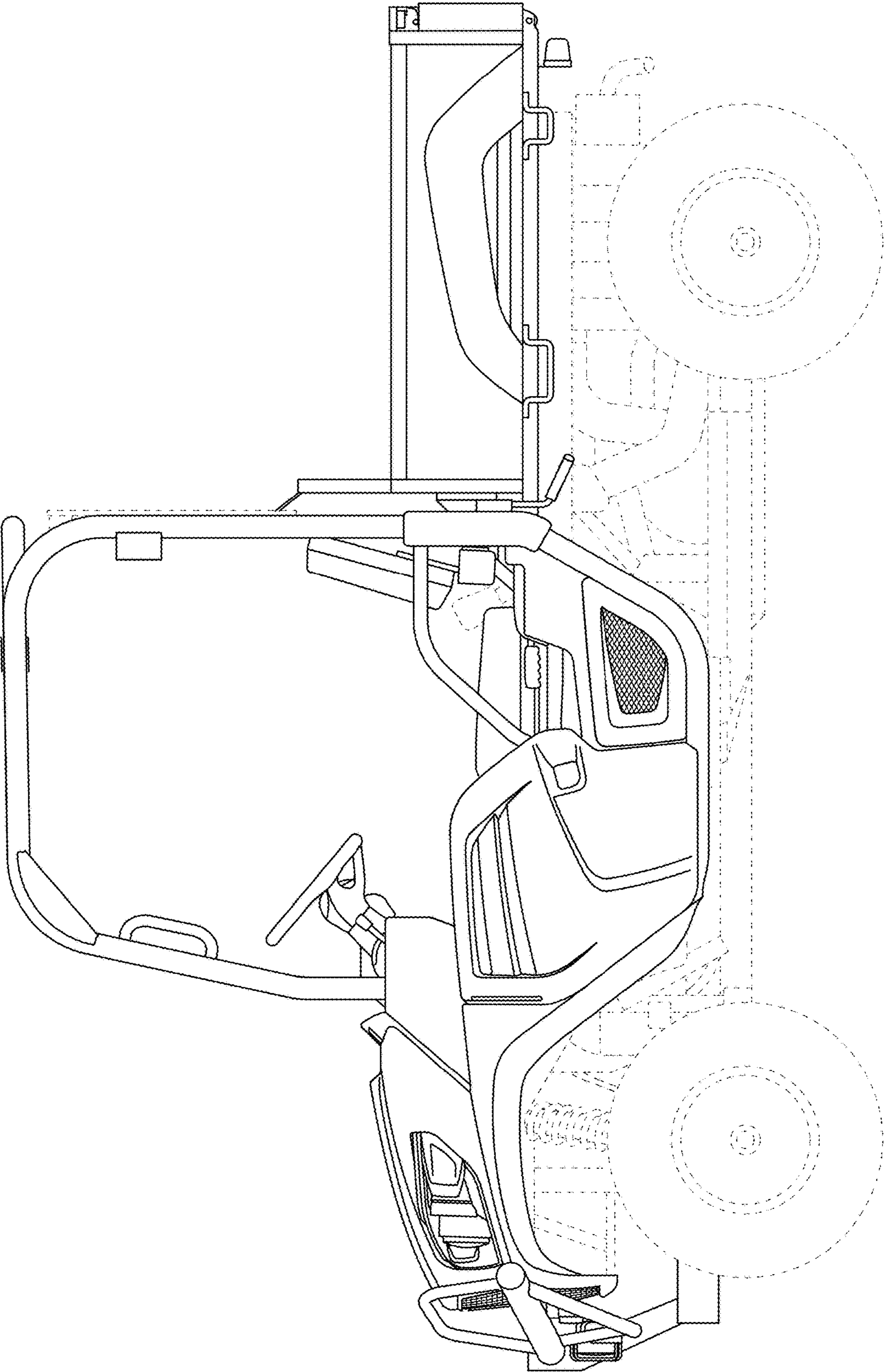


FIG. 1

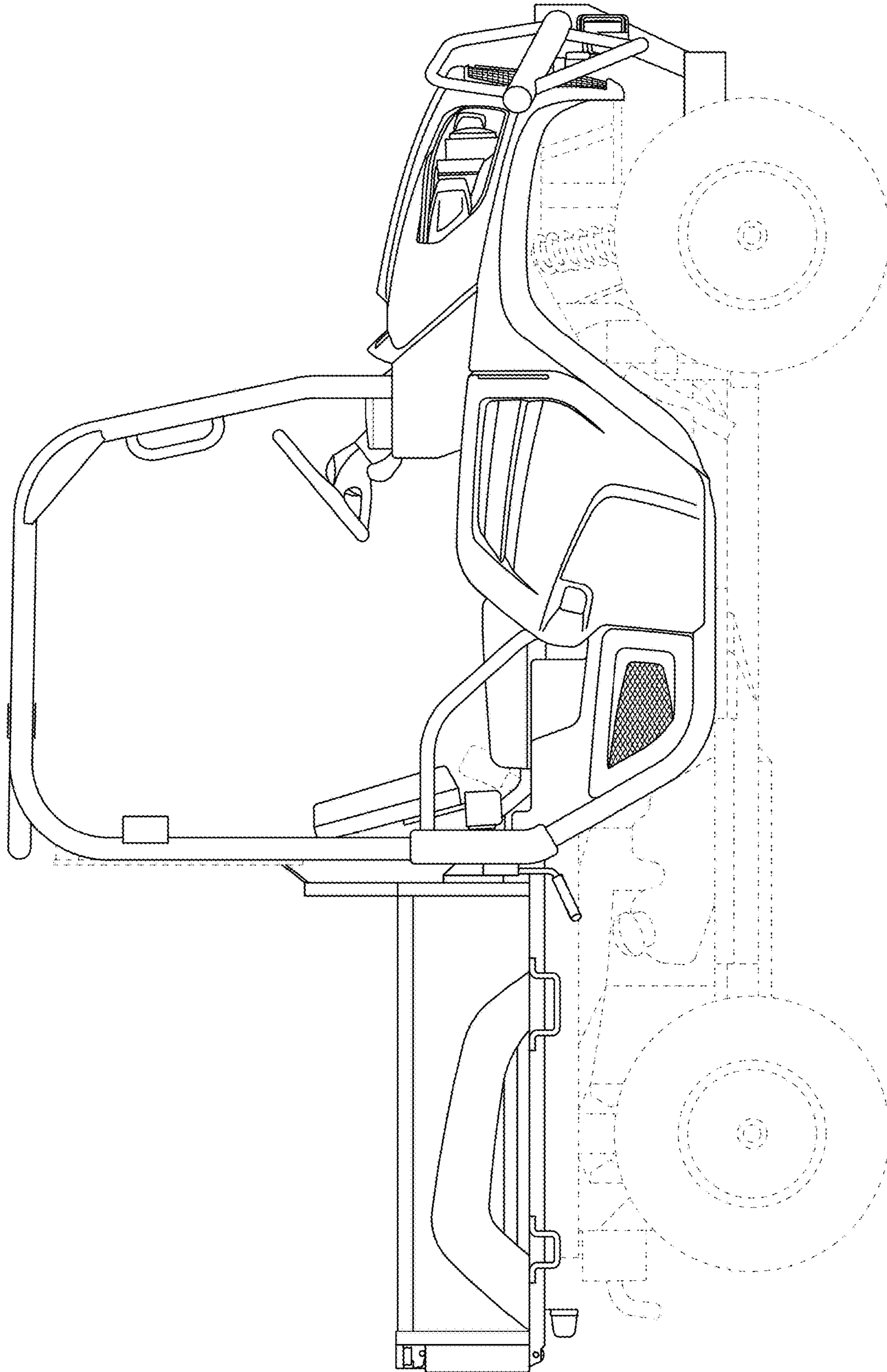


FIG. 2

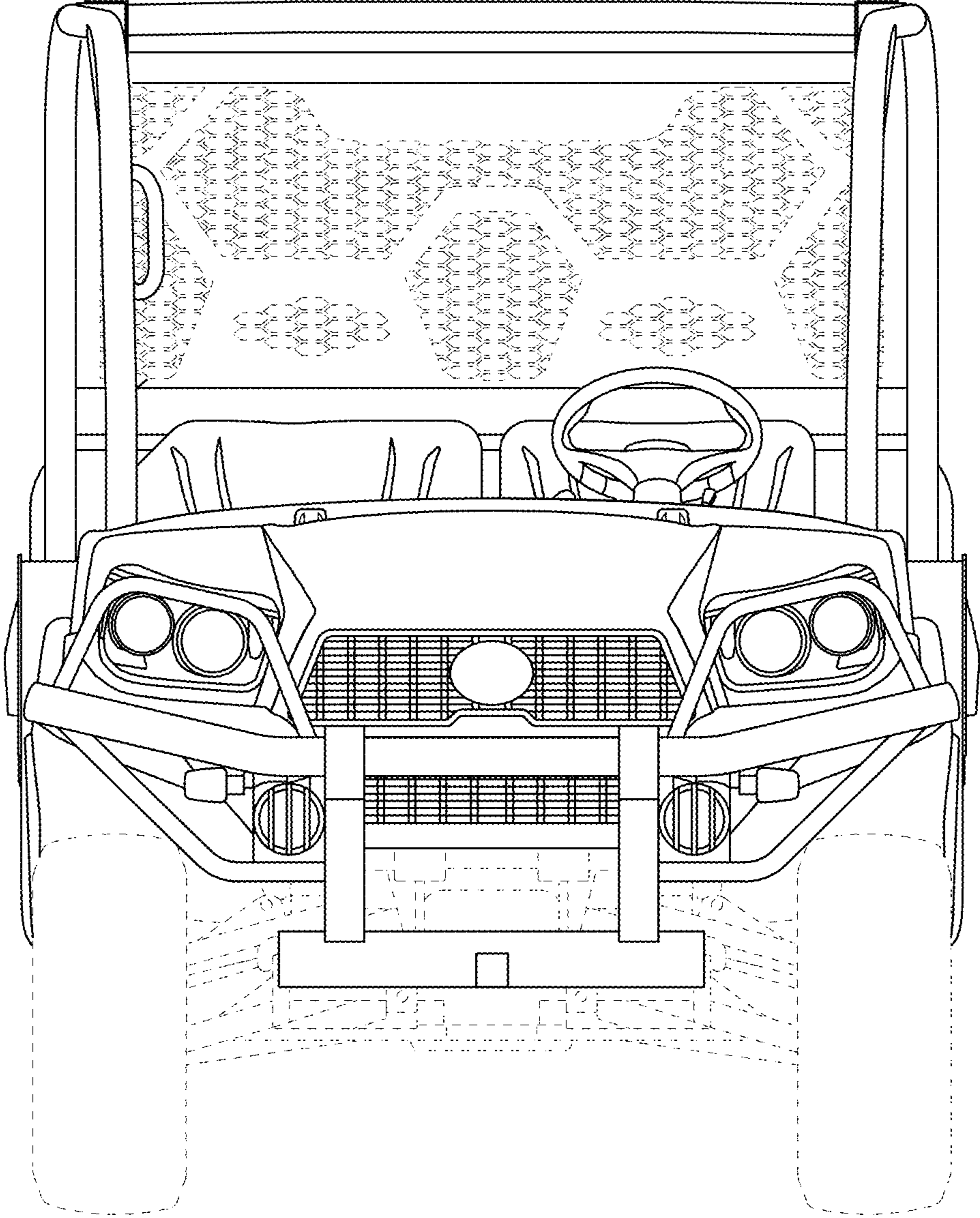


FIG. 3

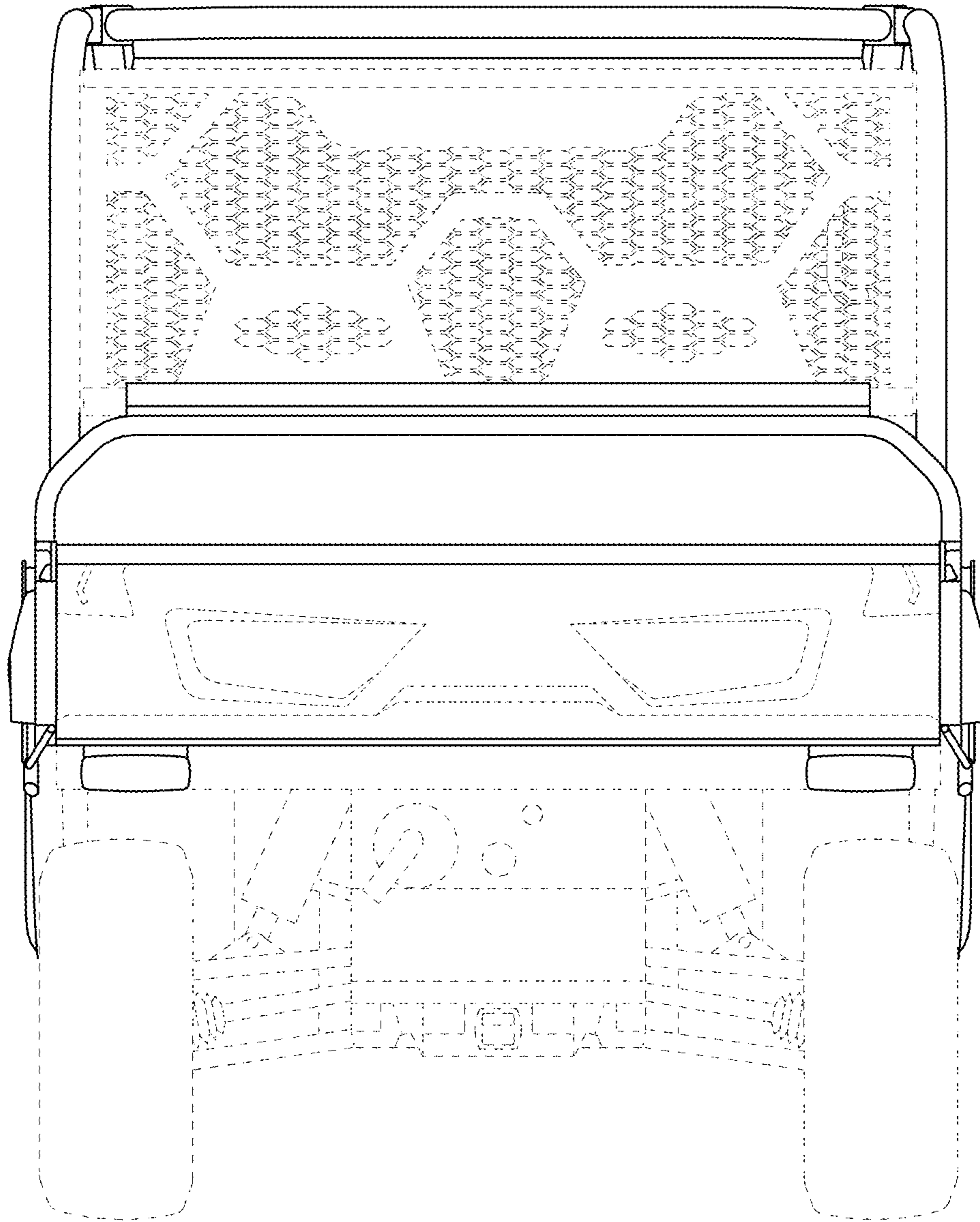


FIG. 4

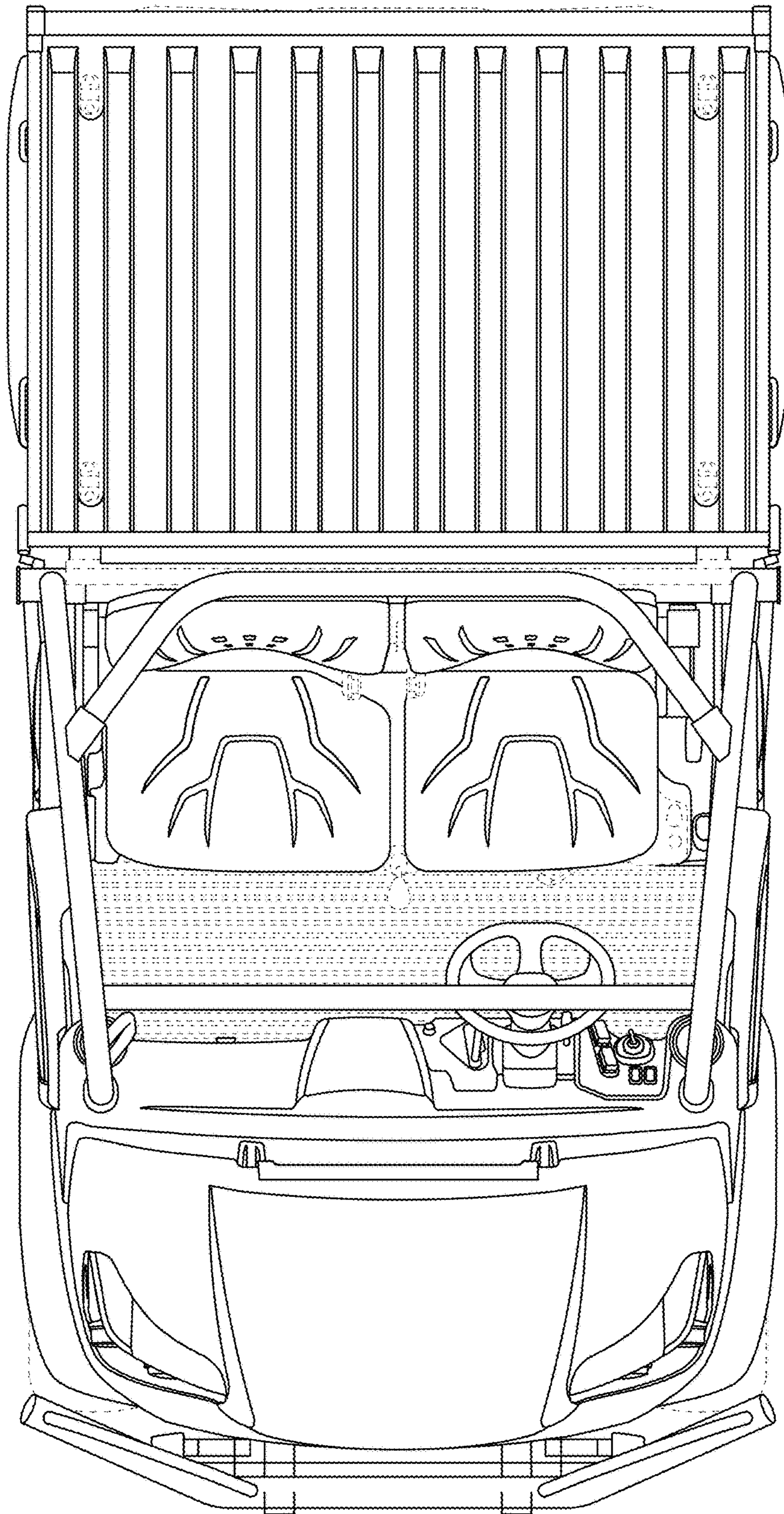


FIG. 5

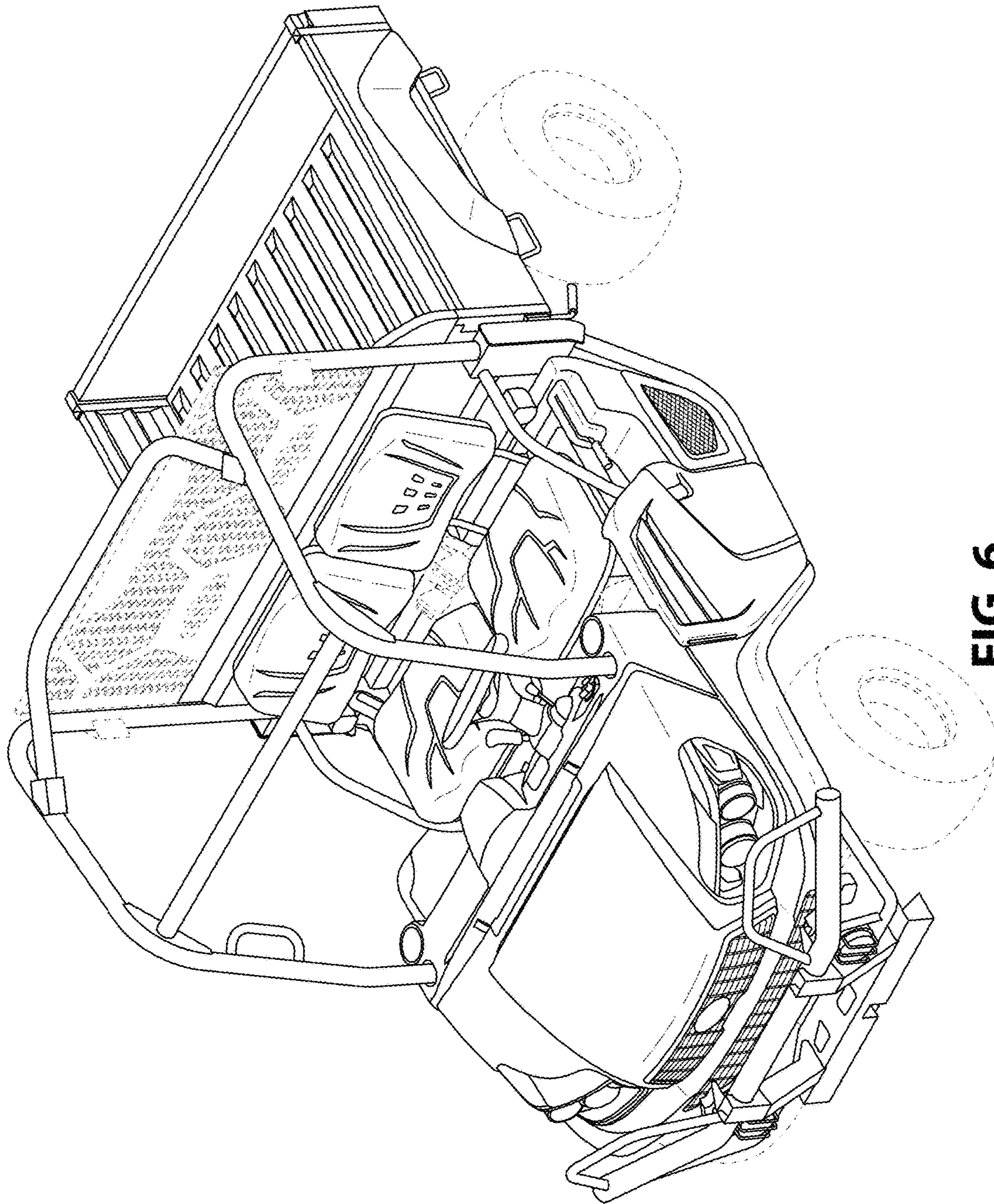


FIG. 6