



US00D814345S

(12) **United States Design Patent** (10) **Patent No.:** **US D814,345 S**
Siegel et al. (45) **Date of Patent:** **** Apr. 3, 2018**

(54) **PLANTER**

(71) Applicant: **Apple Inc.**, Cupertino, CA (US)

(72) Inventors: **Jonathan P. Siegel**, San Francisco, CA (US); **Christopher M. Green**, Woodside, CA (US); **Stefan Behling**, London (GB); **David Summerfield**, London (GB); **James McGrath**, Cupertino, CA (US); **Christopher Daniel Peak**, Oakland, CA (US); **Patrick O'Brien**, West Nyack, NY (US); **Jennifer Ross Wynn**, San Francisco, CA (US); **Andrea Fender Badgley**, San Francisco, CA (US); **Richard P. Howarth**, San Francisco, CA (US); **Rafe Bertram**, London (GB); **John De Maio**, Cupertino, CA (US); **Susana Varela De Sagarra**, London (GB); **Raoul Skrein Bumballa**, London (GB); **Neil Bancroft**, London (GB); **Charlotte Hofstetter**, San Francisco, CA (US); **Afroditi Kavallieraki**, London (GB)

(73) Assignee: **Apple Inc.**, Cupertino, CA (US)

(**) Term: **15 Years**

(21) Appl. No.: **29/577,172**

(22) Filed: **Sep. 9, 2016**

Related U.S. Application Data

(63) Continuation of application No. 29/522,921, filed on Apr. 3, 2015, now Pat. No. Des. 766,127, which is a (Continued)

(51) **LOC (11) Cl.** **11-02**

(52) **U.S. Cl.**
USPC **D11/152**

(58) **Field of Classification Search**

USPC D6/403-405, 556-558, 675, 683, 708.16, D6/708.2; D9/428, 545, 643; D11/143-156, 164; D7/701
CPC . A01G 9/00; A01G 9/02; A01G 9/028; A01G 9/04; A01G 9/042; A01G 9/045; A01G 9/10; A01G 27/005; A01G 27/006; A01G 27/02; A01G 31/00; A01G 31/001; A01G 31/02; A01G 7/045; A01G 31/04; A01G 31/06

See application file for complete search history.

(56) **References Cited**

U.S. PATENT DOCUMENTS

D118,920 S 2/1940 Trevisan
2,598,763 A 6/1952 De Roo
(Continued)

Primary Examiner — Elizabeth Albert

(74) *Attorney, Agent, or Firm* — Sterne, Kessler, Goldstein & Fox P.L.L.C.

(57) **CLAIM**

The ornamental design for a planter, as shown and described.

DESCRIPTION

FIG. 1 is a top front perspective view of a planter showing the claimed design;

FIG. 2 is a front view thereof;

FIG. 3 is a rear view thereof;

FIG. 4 is a left side view thereof;

FIG. 5 is a right side view thereof;

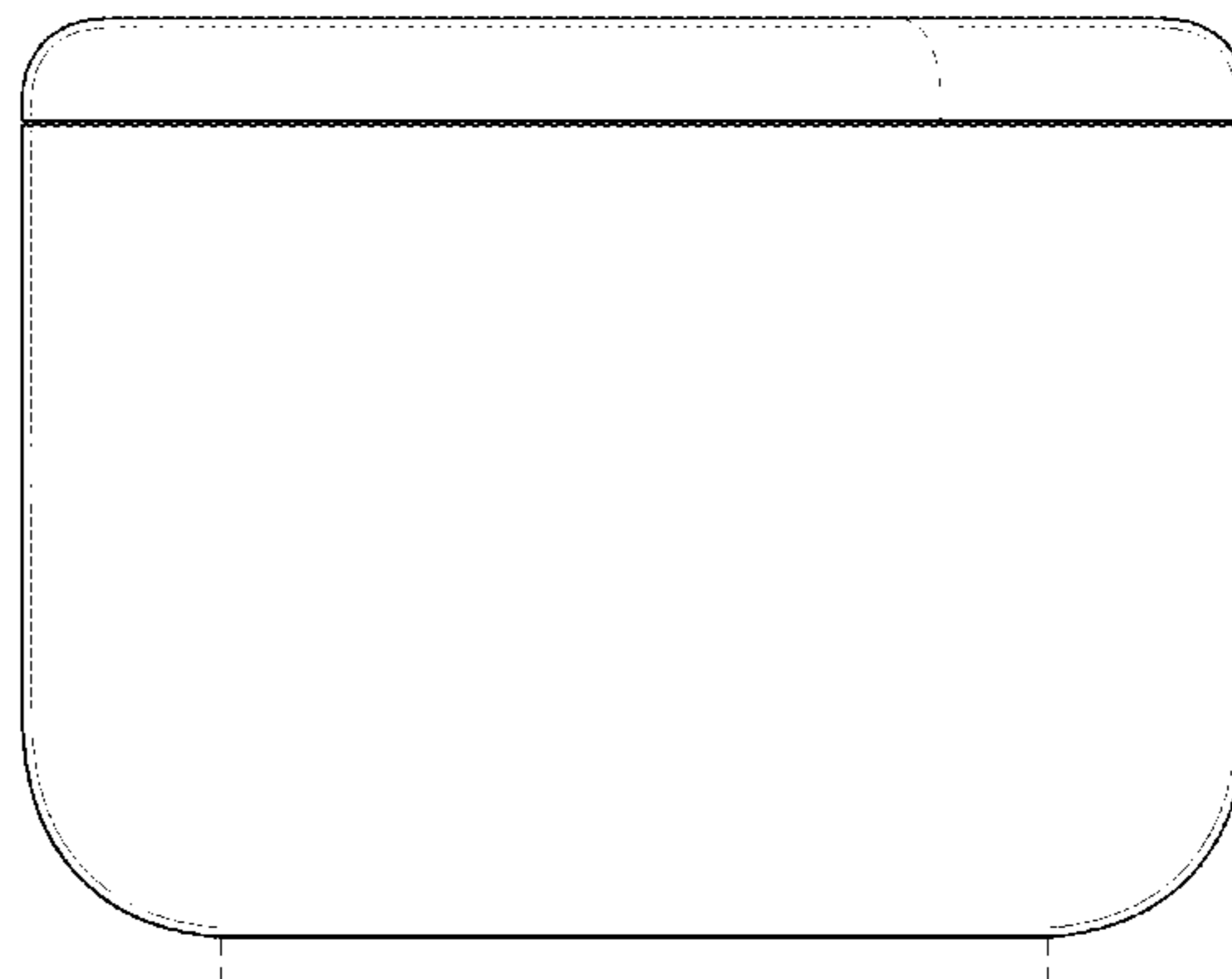
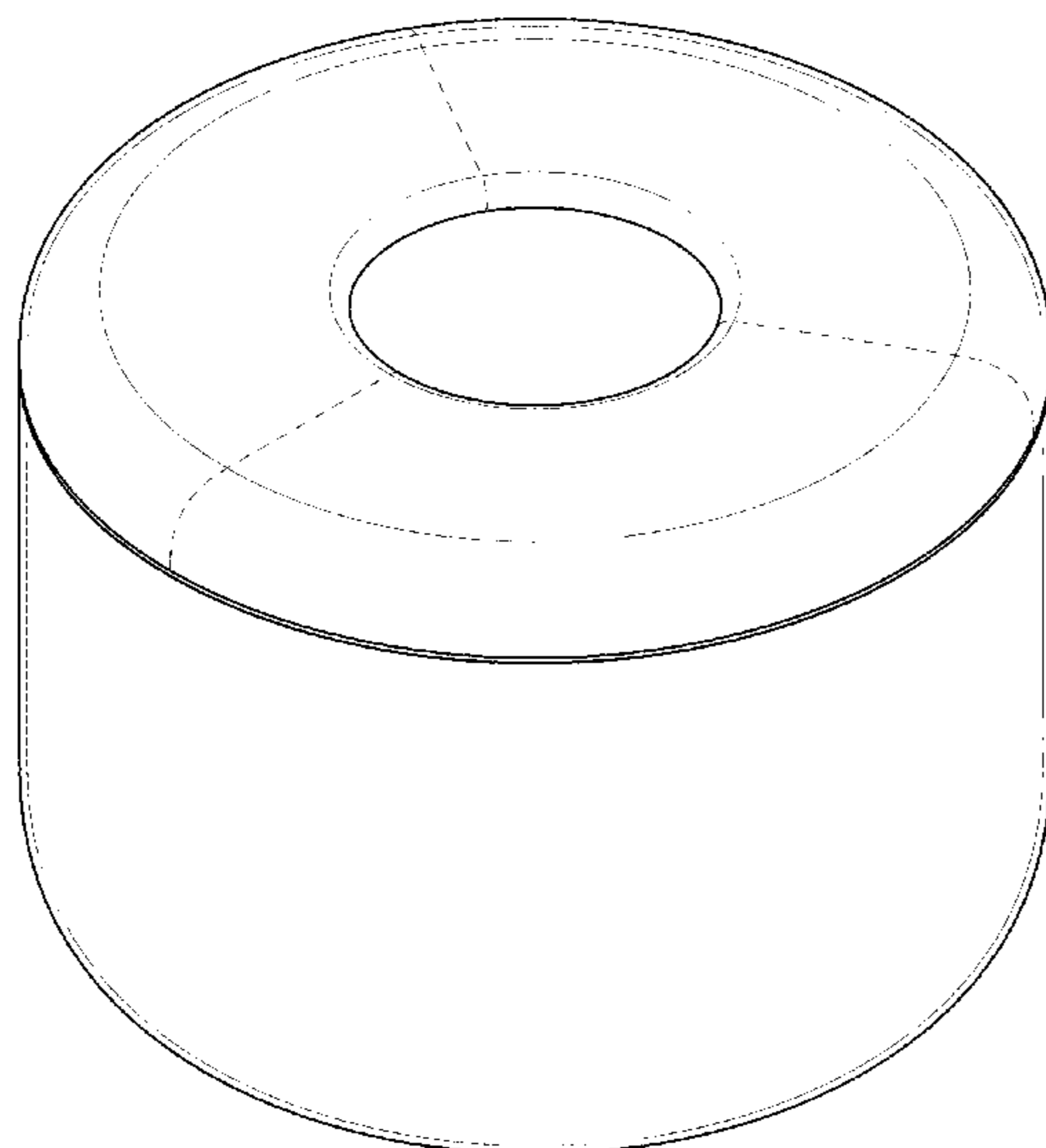
FIG. 6 is a top view thereof;

FIG. 7 is a bottom view thereof; and,

FIG. 8 is a left side view of the planter in an environment in which it may be used.

The broken lines in the figures show portions of the planter or environment that form no part of the claimed design.

1 Claim, 8 Drawing Sheets



Related U.S. Application Data

continuation-in-part of application No. 29/517,034, filed on Feb. 9, 2015, now Pat. No. Des. 769,148, which is a continuation of application No. 29/517,034, filed on Feb. 9, 2015, now Pat. No. Des. 769,148.

(56)

References Cited

U.S. PATENT DOCUMENTS

| | | | | |
|-----------|---|-----------|---------------|----------------------|
| 2,813,619 | A | 11/1957 | Gerowin | |
| 3,284,039 | A | 11/1966 | Brunner | |
| 3,704,776 | A | * 12/1972 | Collins | A47G 7/06 206/216 |
| 3,716,239 | A | 2/1973 | Goudreau | |
| D229,080 | S | 11/1973 | Mihm | |
| D241,462 | S | 9/1976 | Criscklallo | |
| 4,515,108 | A | 5/1985 | Rankin, Jr. | |
| D279,175 | S | 6/1985 | Eklöf | |
| 4,540,417 | A | 9/1985 | Poler | |
| 4,561,476 | A | 12/1985 | Bunkoczy | |
| 5,050,342 | A | 9/1991 | Figueroa | |

| | | | | |
|-----------|----|----------|---------------|---------|
| D386,446 | S | 11/1997 | Favish | |
| 5,704,162 | A | 1/1998 | Holtkamp, Jr. | |
| 6,006,472 | A | 12/1999 | Holtkamp, Jr. | |
| 6,055,773 | A | 5/2000 | Yang | |
| D428,120 | S | 7/2000 | Zaldivar | |
| D439,682 | S | 3/2001 | Murdick | |
| D470,273 | S | 2/2003 | Revivo | |
| D471,799 | S | 3/2003 | Davis | |
| D476,572 | S | 7/2003 | Merritt | |
| D488,741 | S | * 4/2004 | Moya | D11/143 |
| D496,474 | S | 9/2004 | Murdick | |
| D511,228 | S | 11/2005 | Byrne | |
| D523,750 | S | 6/2006 | Lee et al. | |
| D544,726 | S | * 6/2007 | Cauley | D6/674 |
| 7,263,800 | B2 | 9/2007 | Taddeo et al. | |
| D590,219 | S | 4/2009 | Jabs | |
| D616,616 | S | 5/2010 | Byrne | |
| 7,758,711 | B1 | 7/2010 | Querubin | |
| D661,223 | S | 6/2012 | Jaworski | |
| D718,501 | S | 11/2014 | Byrne | |
| D721,975 | S | 2/2015 | Arefieg | |
| D742,562 | S | 11/2015 | Kasha | |

* cited by examiner

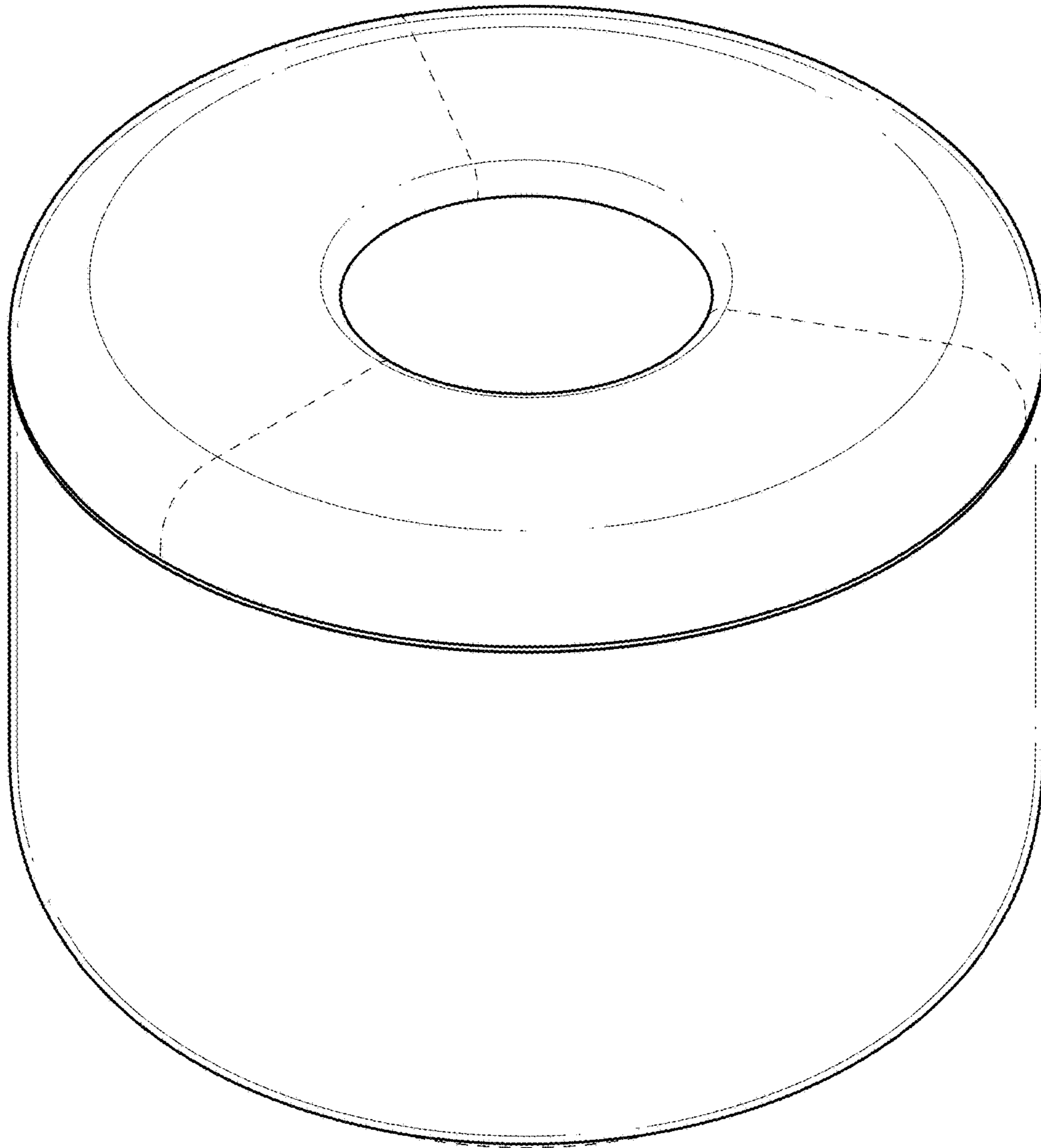


FIG. 1

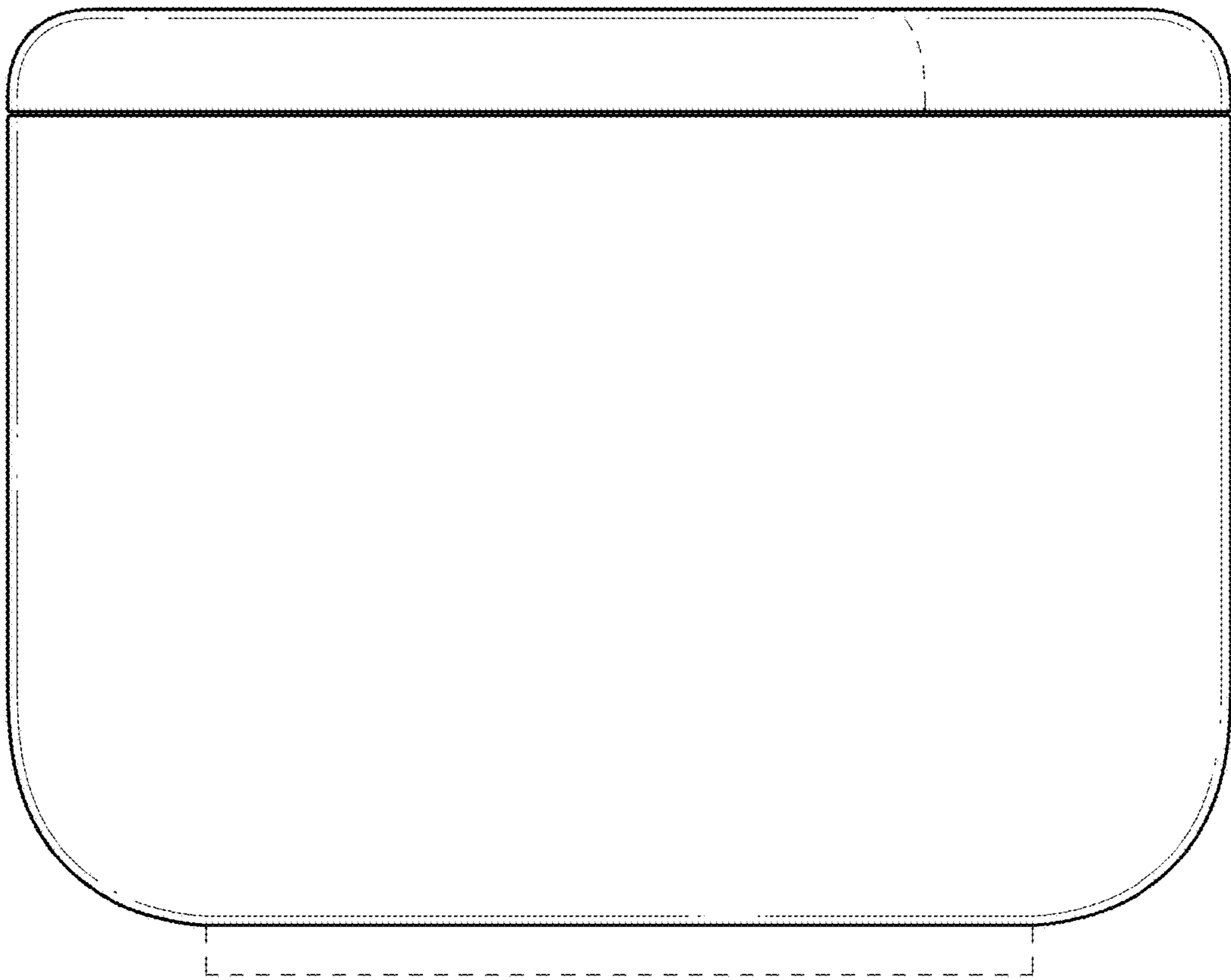


FIG. 2

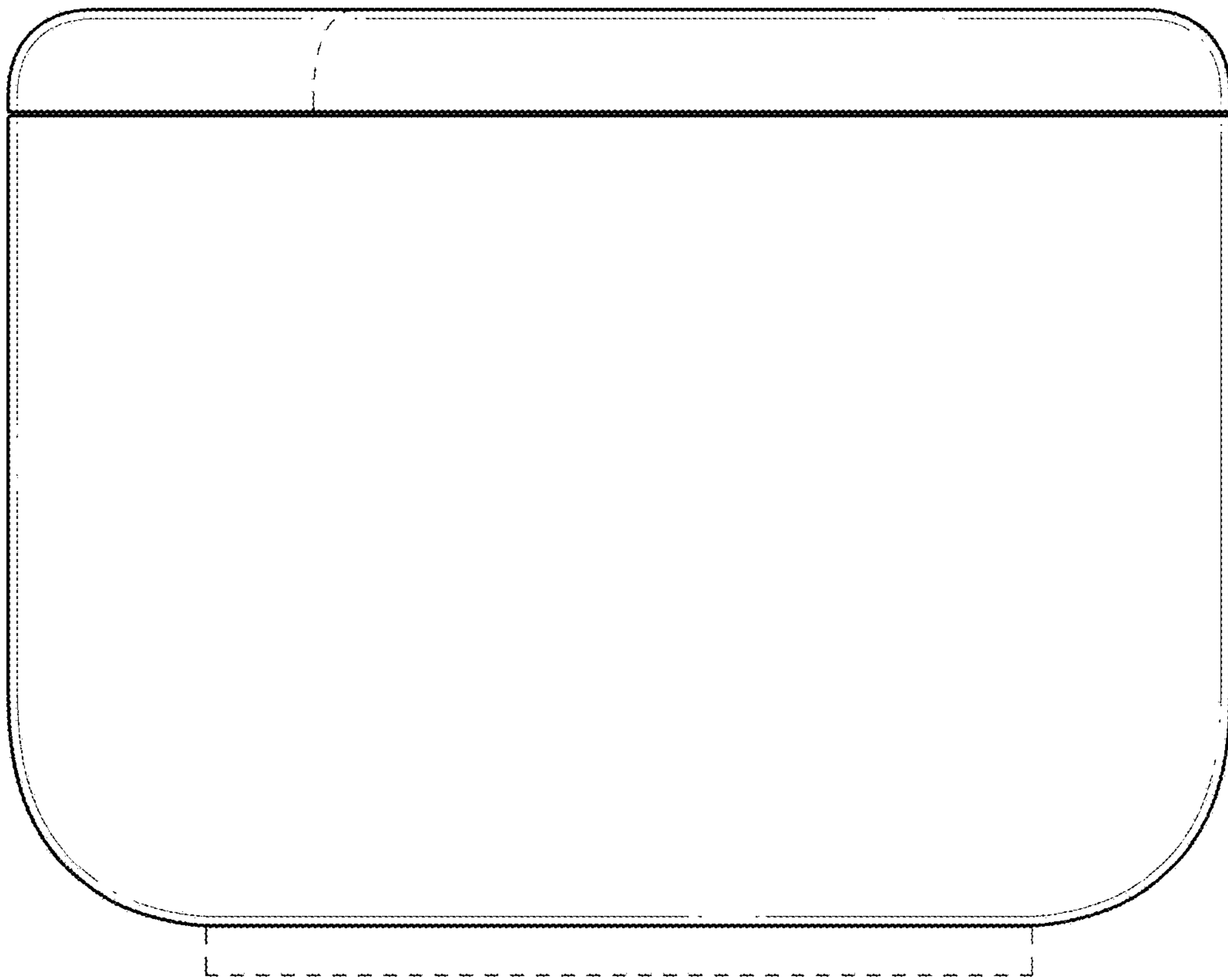


FIG. 3

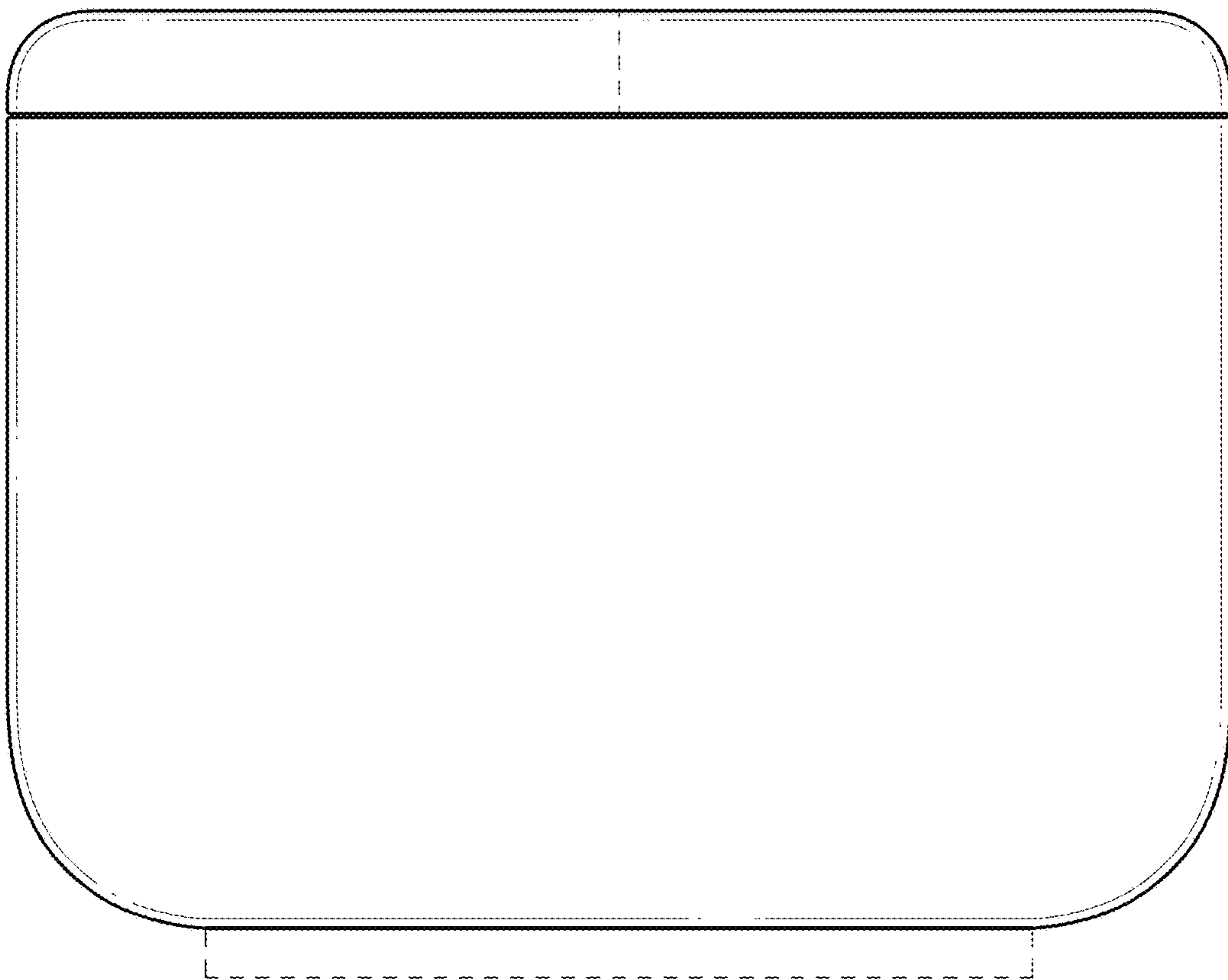


FIG. 4

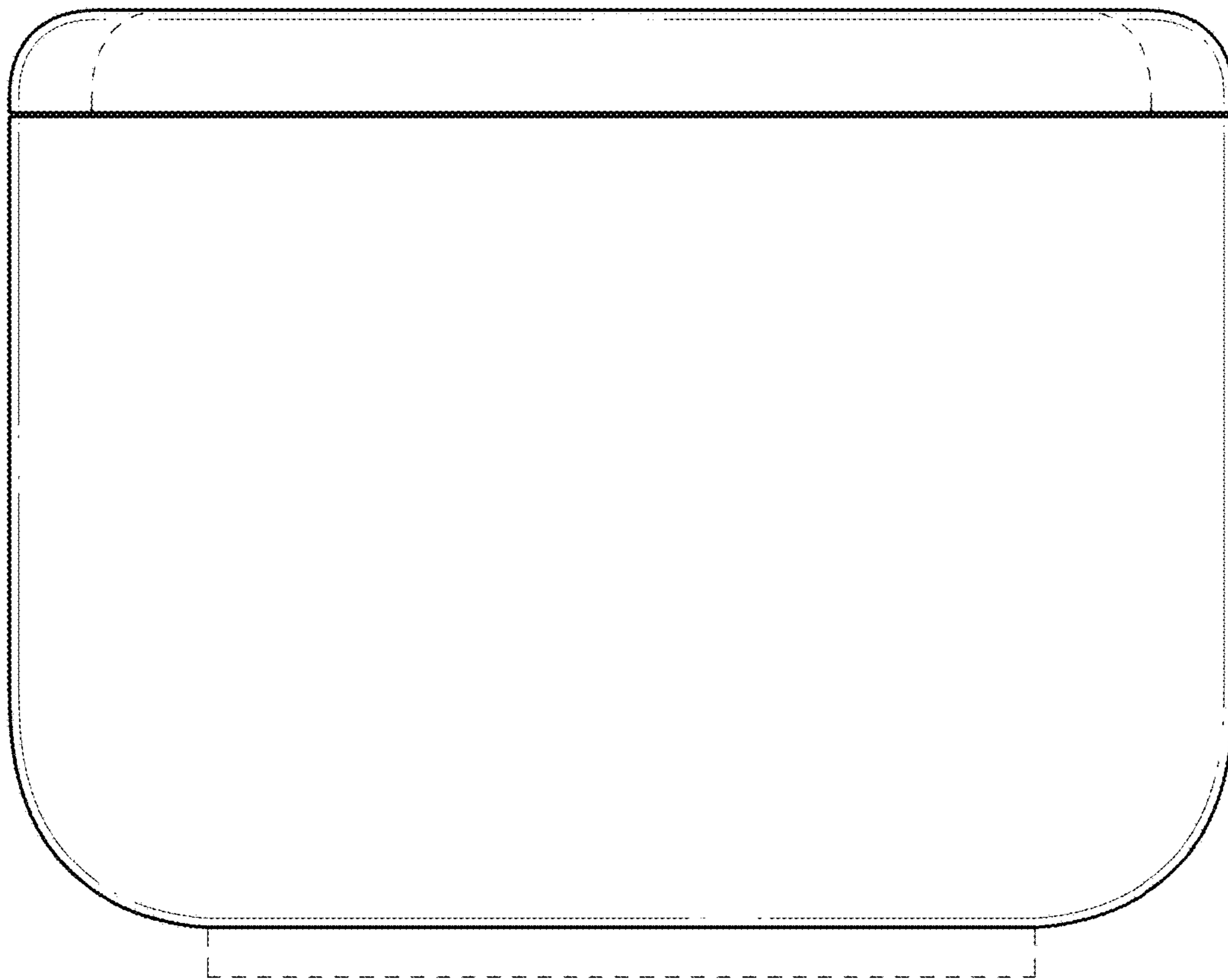


FIG. 5

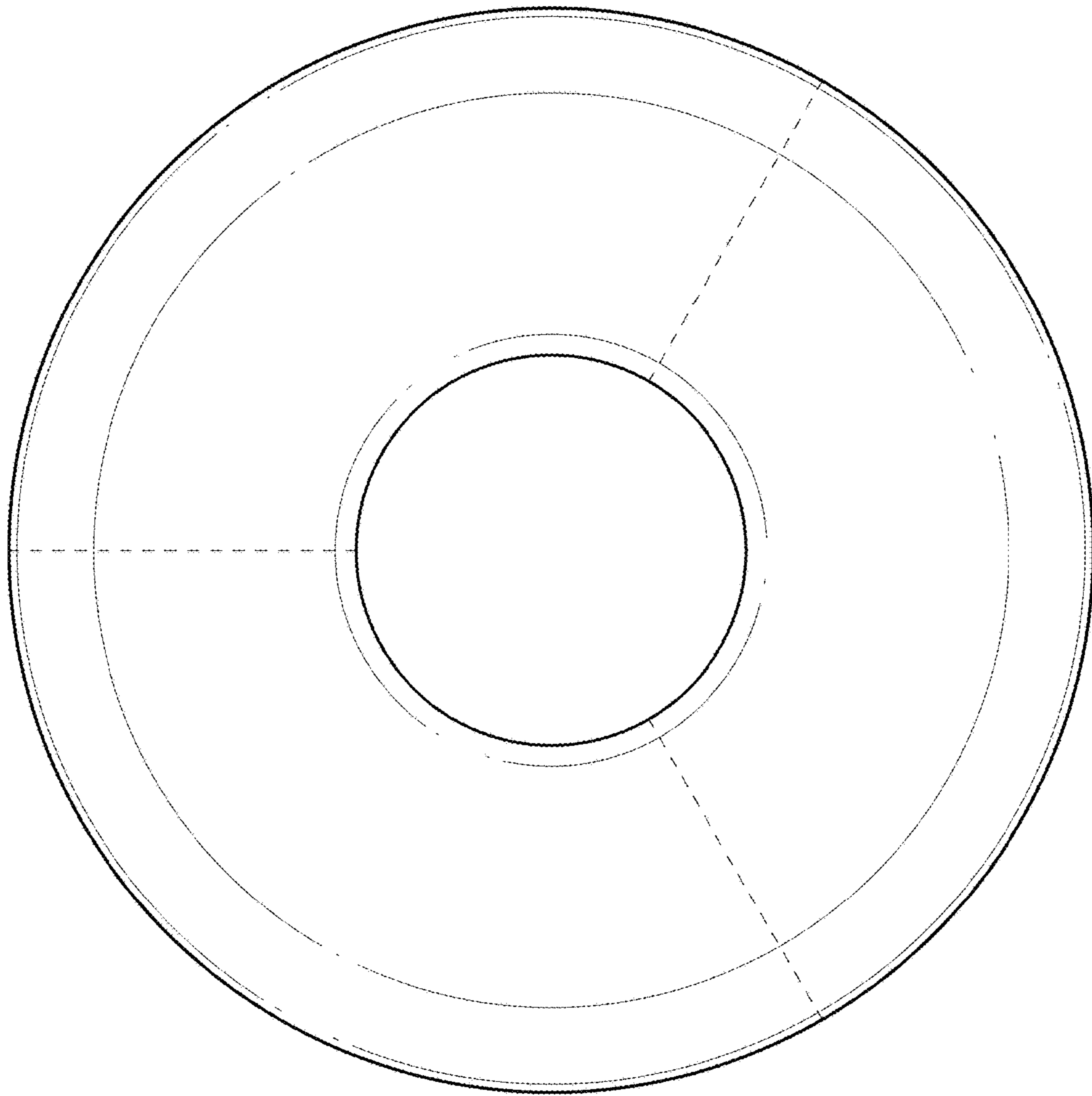


FIG. 6

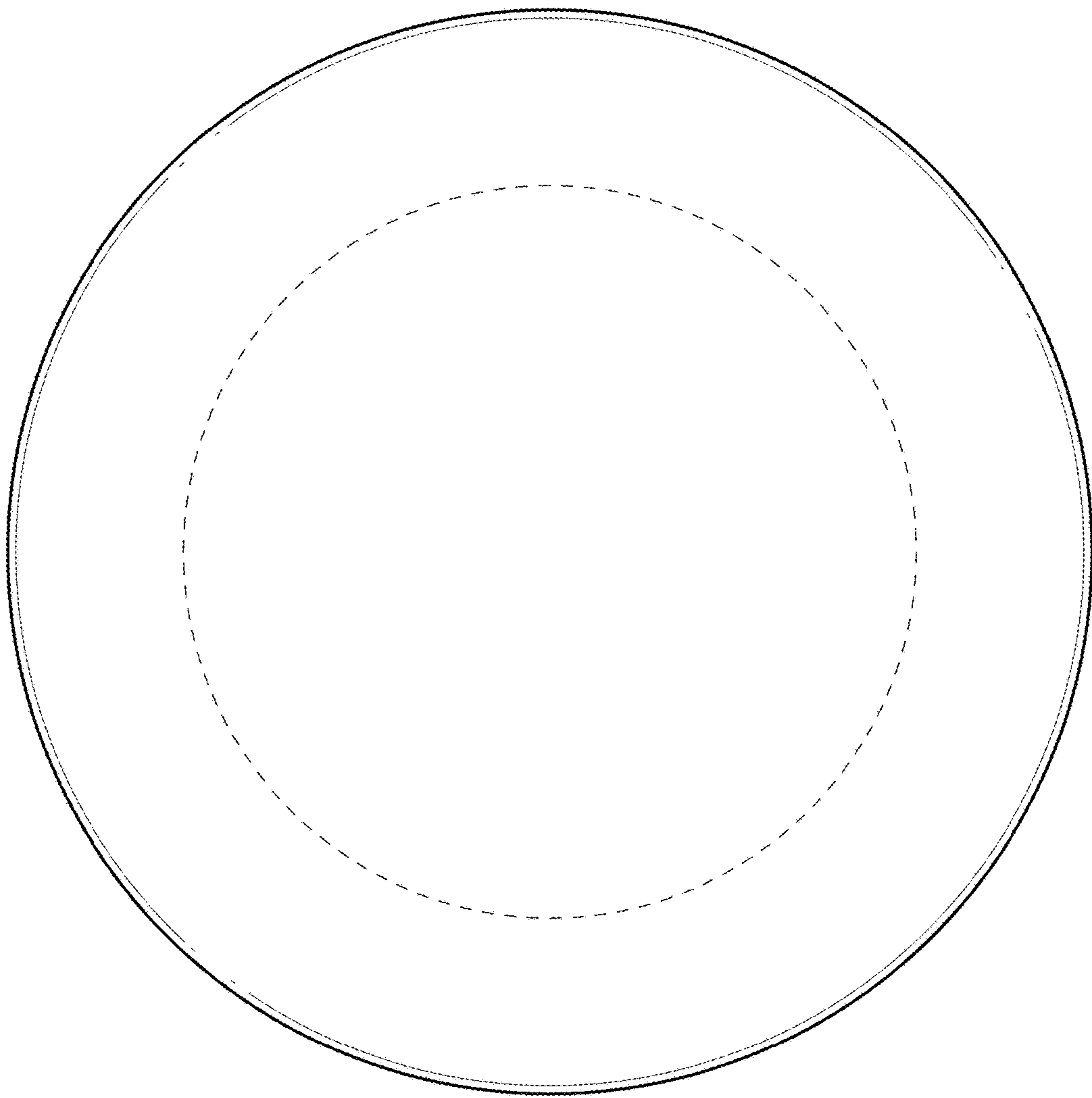


FIG. 7

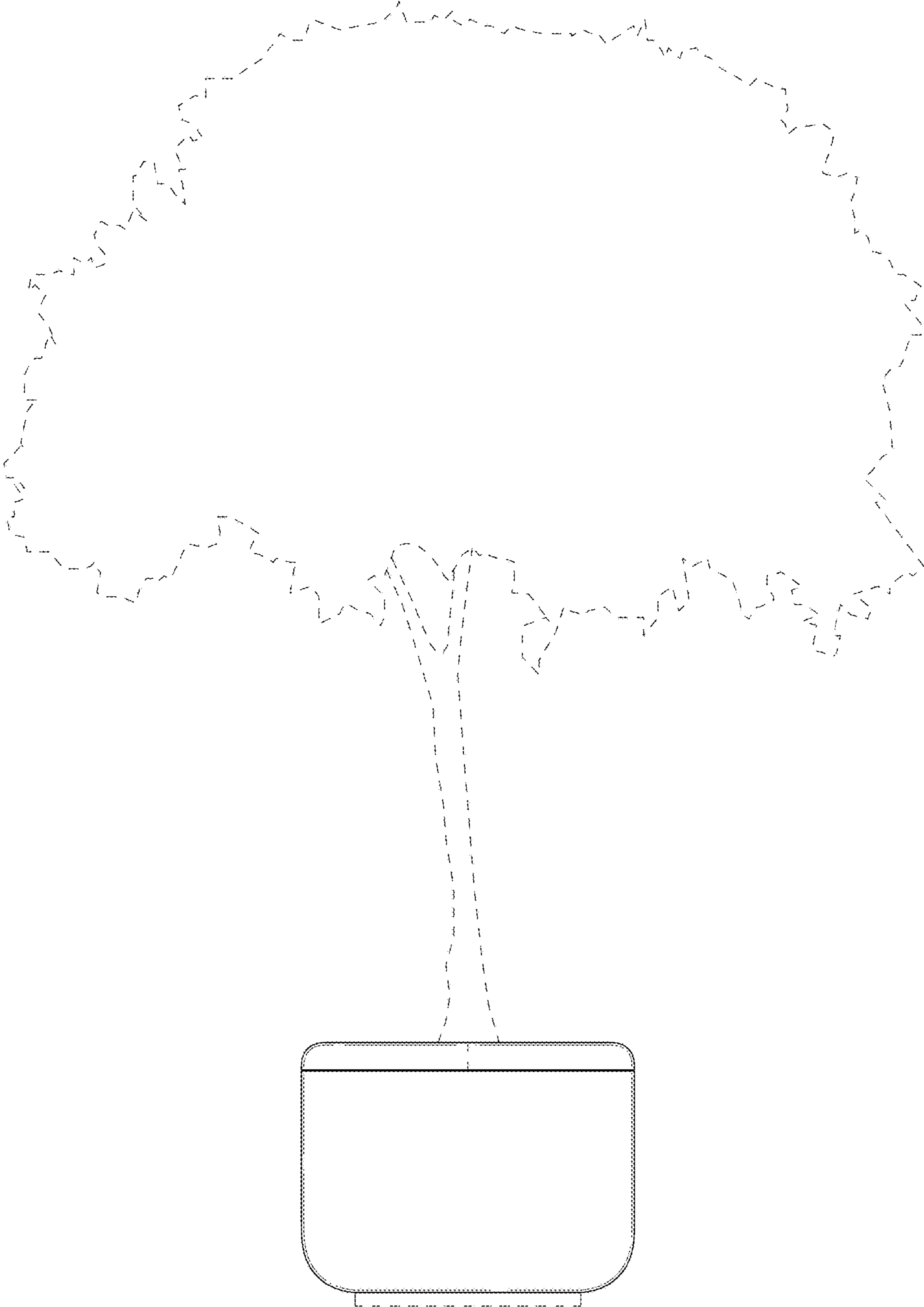


FIG. 8