



US00D814337S

(12) **United States Design Patent**  
**Haiblik**

(10) **Patent No.:** **US D814,337 S**

(45) **Date of Patent:** **\*\* Apr. 3, 2018**

(54) **STONE FOR FASHION JEWELRY**

(71) Applicant: **PRECIOSA, a.s.**, Jablonec nad Nisou (CZ)

(72) Inventor: **Ivan Haiblik**, Jablonec nad Nisou (CZ)

(73) Assignee: **PRECIOSA, a.s.** (CZ)

(\*\*) Term: **15 Years**

(21) Appl. No.: **29/580,959**

(22) Filed: **Oct. 14, 2016**

(30) **Foreign Application Priority Data**

Apr. 19, 2016 (EM) ..... 001448583-0004

(51) **LOC (11) Cl.** ..... **11-01**

(52) **U.S. Cl.**  
USPC ..... **D11/90**

(58) **Field of Classification Search**  
USPC ..... D11/1-2, 26-29, 89-92; 63/26-28, 32  
CPC ..... A44C 17/00; A44C 17/01; A44C 17/005;  
A44C 17/007; A44C 17/008  
See application file for complete search history.

(56) **References Cited**

**U.S. PATENT DOCUMENTS**

D460,710 S *	7/2002	Zendron	.....	D11/90
D461,141 S *	8/2002	Steiner	.....	D11/90
D472,670 S *	4/2003	Forster	.....	D11/90
6,578,380 B1 *	6/2003	Pluchenik	.....	A44C 17/001 63/32
D502,123 S *	2/2005	Wilson	.....	D11/90
D513,393 S *	1/2006	Voorn	.....	D11/90
D567,138 S *	4/2008	Rydlawicz	.....	D11/90
D584,987 S *	1/2009	Meyer	.....	D11/89
D593,893 S *	6/2009	Swarovski	.....	D11/89
D608,240 S *	1/2010	Swarovski	.....	D11/89
D648,648 S *	11/2011	Richter	.....	D11/89

D654,392 S *	2/2012	Granig	.....	D11/90
D703,575 S *	4/2014	Shimansky	.....	D11/89
D703,576 S *	4/2014	Shimansky	.....	D11/89
D724,478 S *	3/2015	Hodzic	.....	D11/89

\* cited by examiner

*Primary Examiner* — Ralf T Seifert

(74) *Attorney, Agent, or Firm* — Reinhart Boerner Van Deuren s.c.

(57) **CLAIM**

The ornamental design for a stone for fashion jewelry, as shown and described.

**DESCRIPTION**

FIG. 1 is an isometric view from the front, the bottom side, and the right side of the stone for fashion jewelry showing my new design;

FIG. 2 is a front plan view of the stone for fashion jewelry shown in FIG. 1;

FIG. 3 is an isometric view from the back, the bottom side, and the right side of the stone for fashion jewelry shown in FIGS. 1 and 2;

FIG. 4 is a back plan view of the stone for fashion jewelry shown in FIGS. 1-4;

FIG. 5 is a top side view of the stone for fashion jewelry shown in FIG. 2;

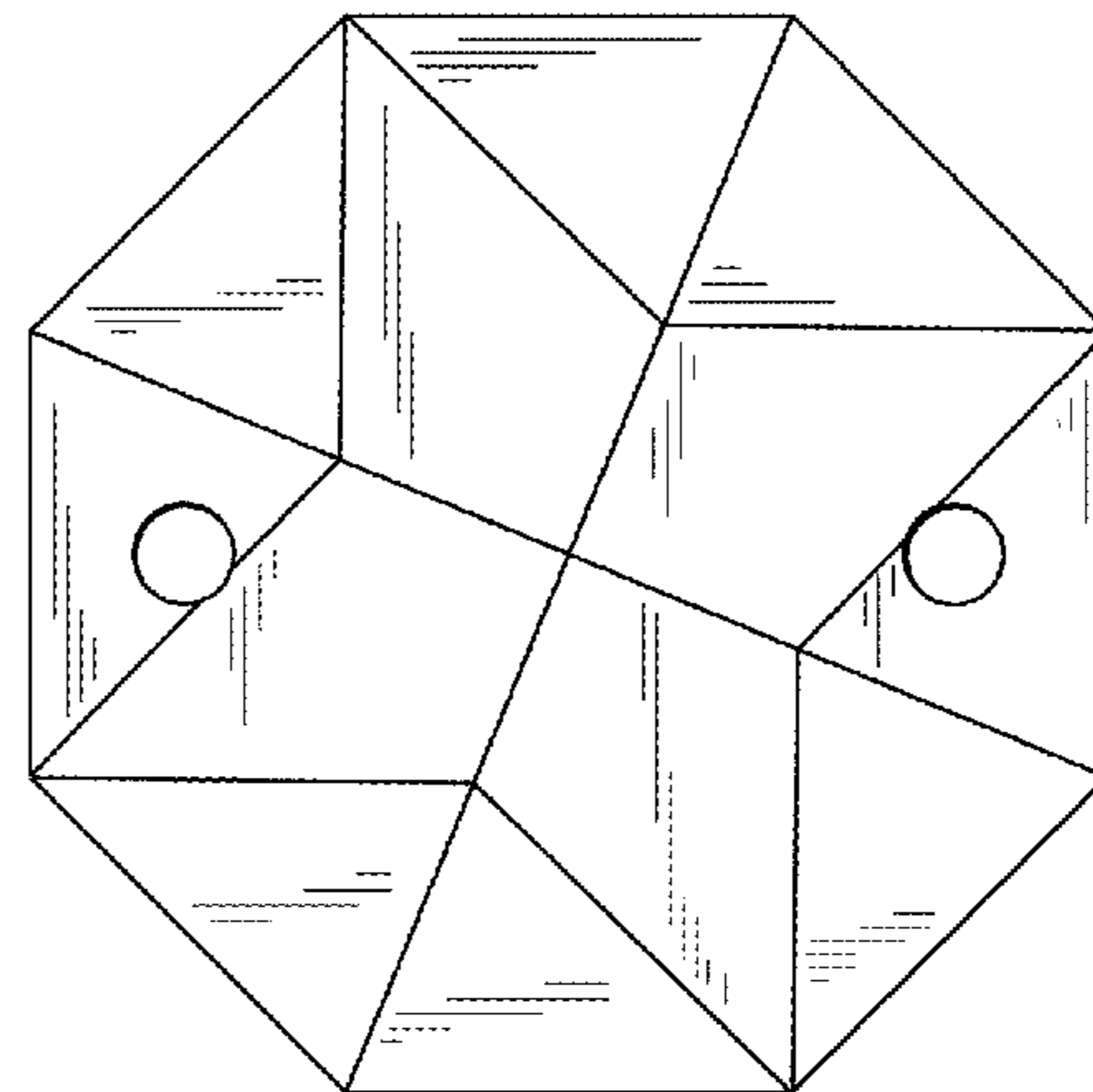
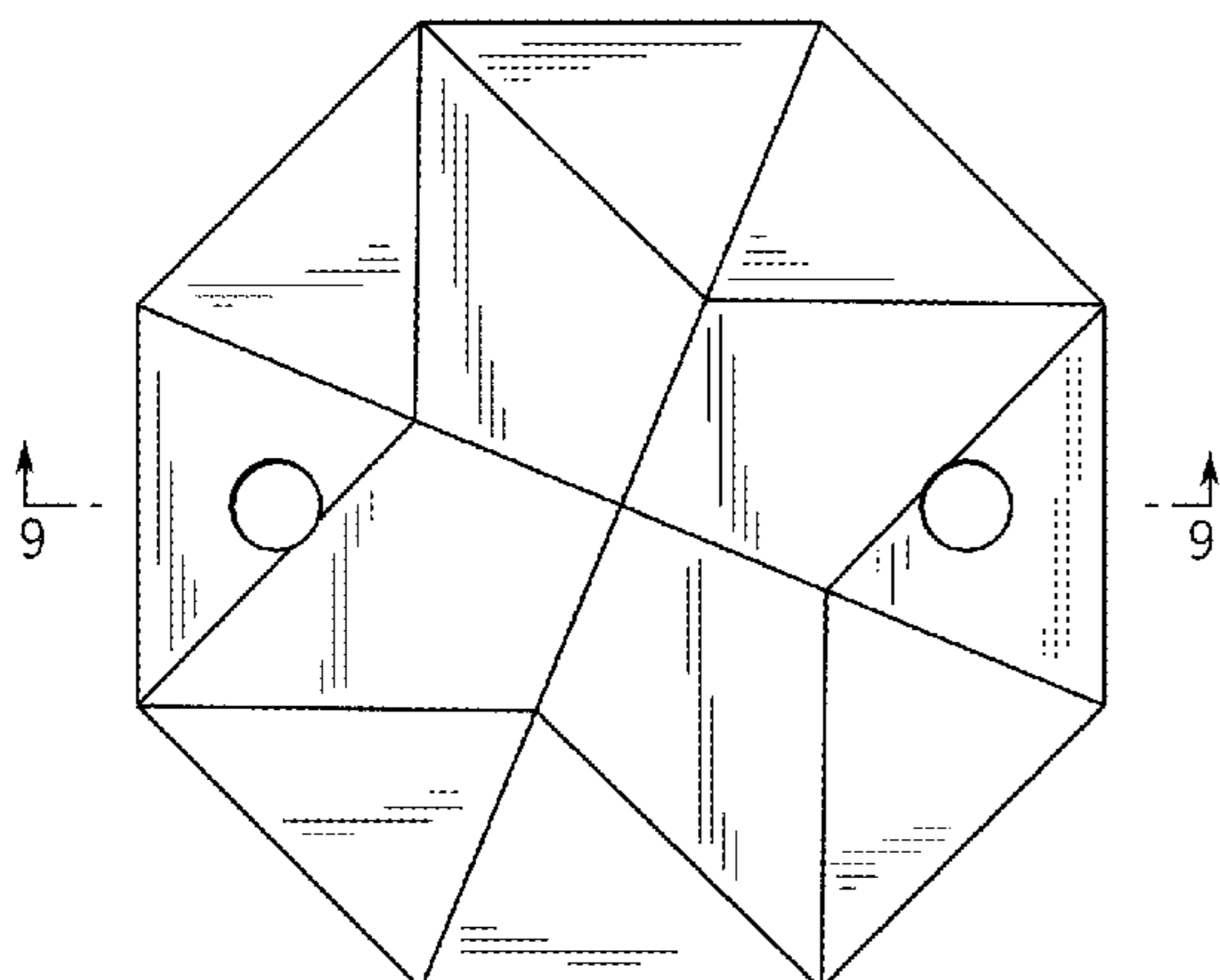
FIG. 6 is a bottom side view of the stone for fashion jewelry shown in FIG. 2 opposite the view shown in FIG. 5;

FIG. 7 is a right side view of the stone for fashion jewelry shown in FIG. 2;

FIG. 8 is a left side view of the stone for fashion jewelry shown in FIG. 2 opposite the view shown in FIG. 7; and,

FIG. 9 is a cross-sectional view taken along the lines 9-9 of FIG. 2 of the stone for fashion jewelry taken to show the apertures extending there through.

**1 Claim, 4 Drawing Sheets**



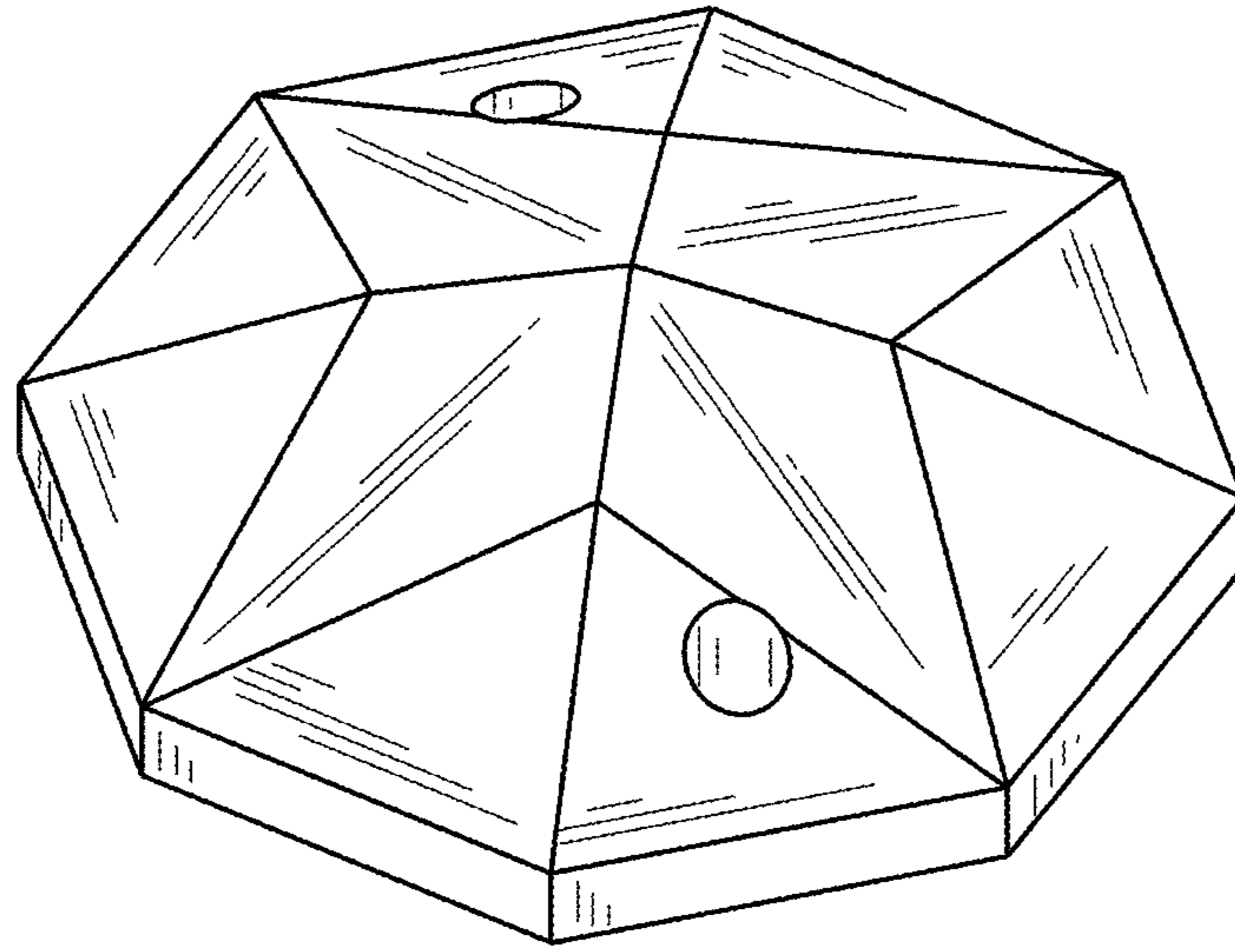


FIG. 1

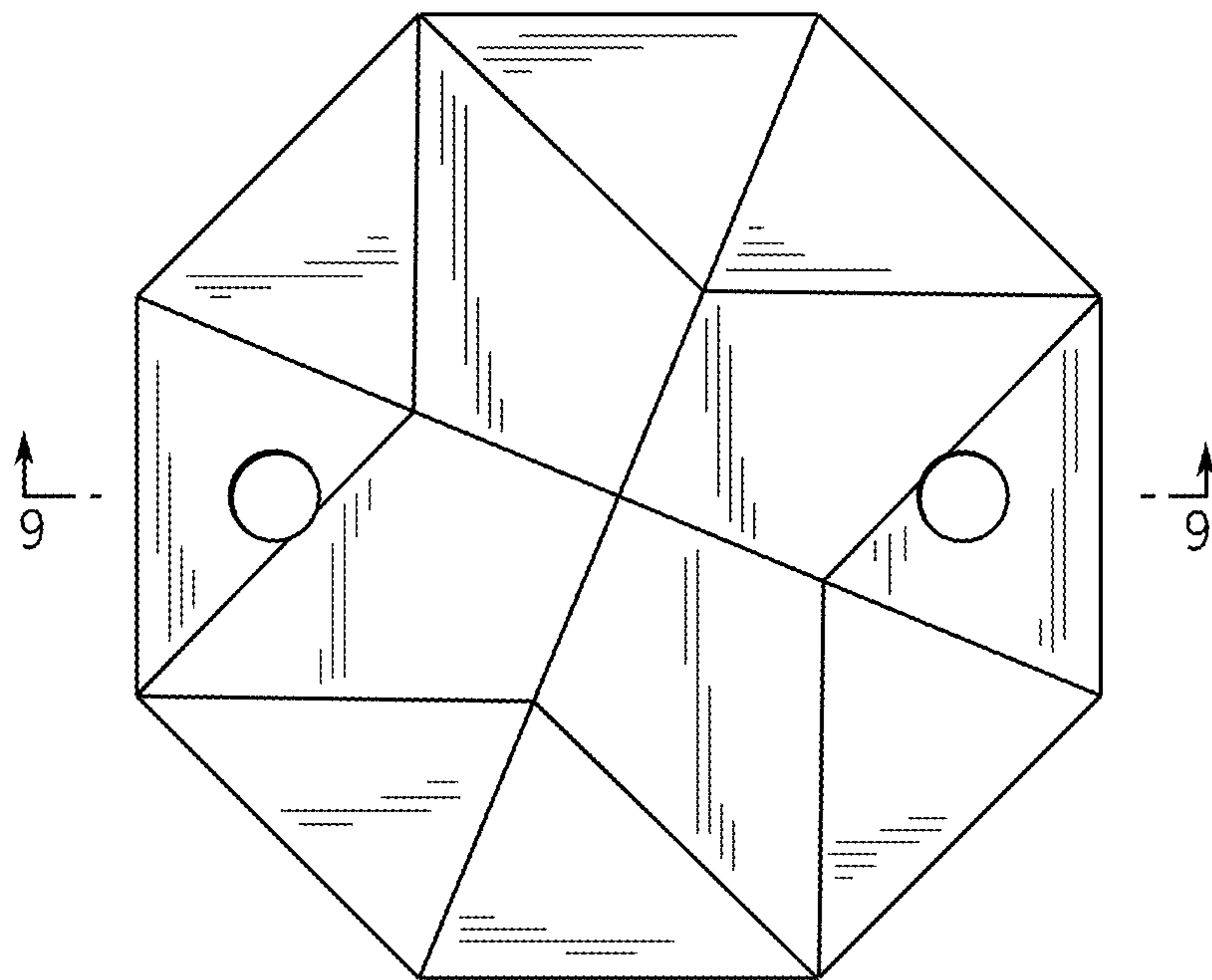


FIG. 2

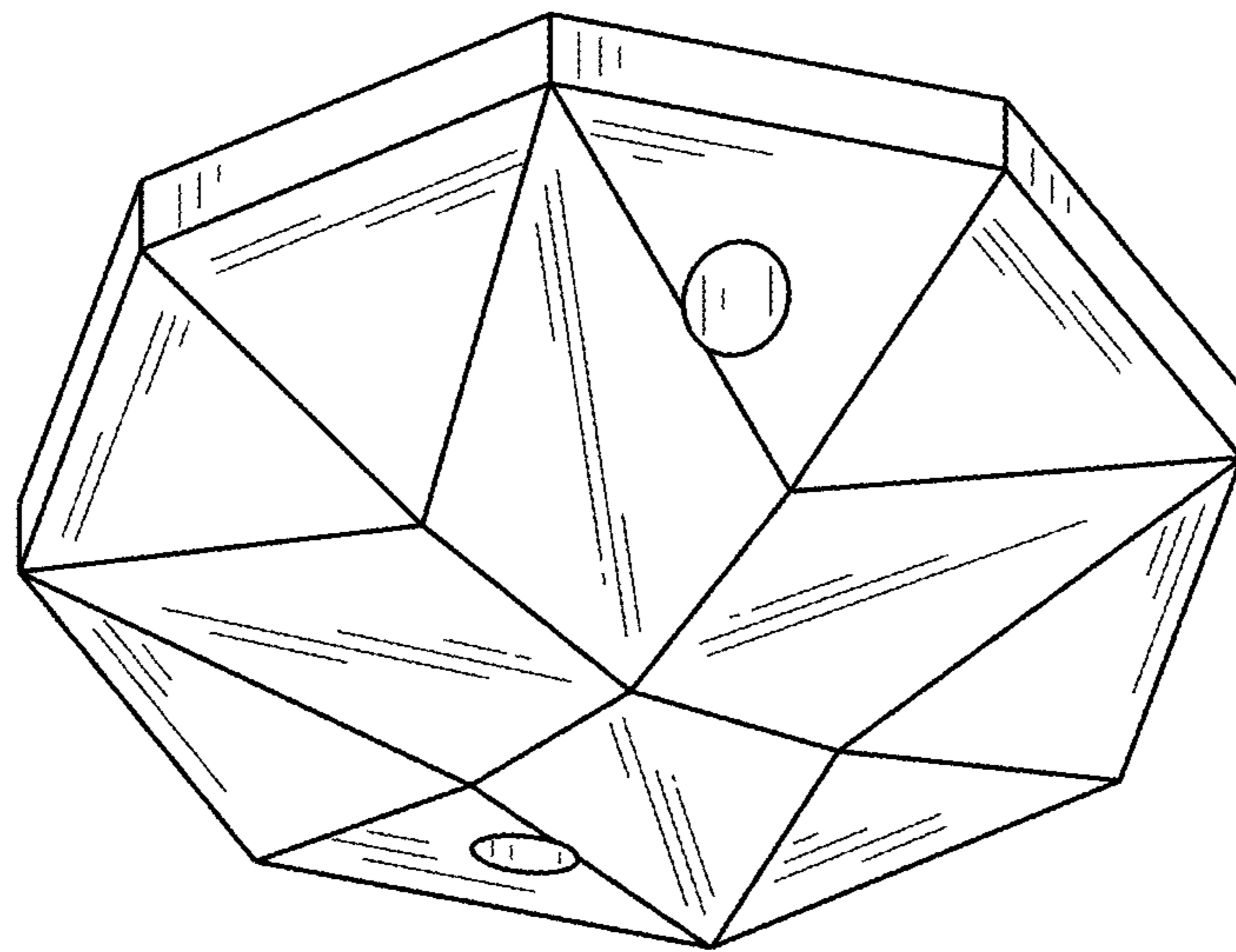


FIG. 3

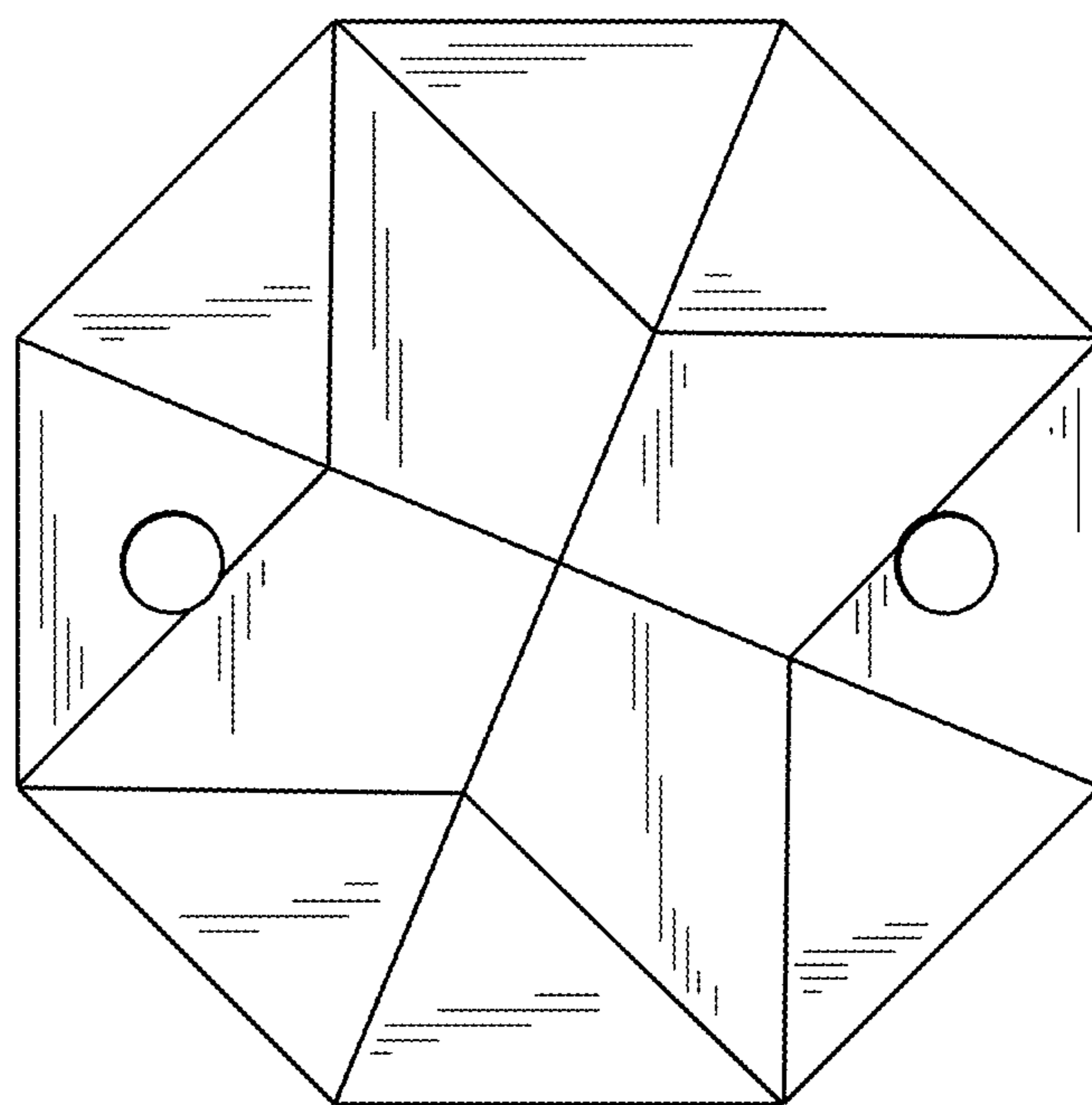


FIG. 4

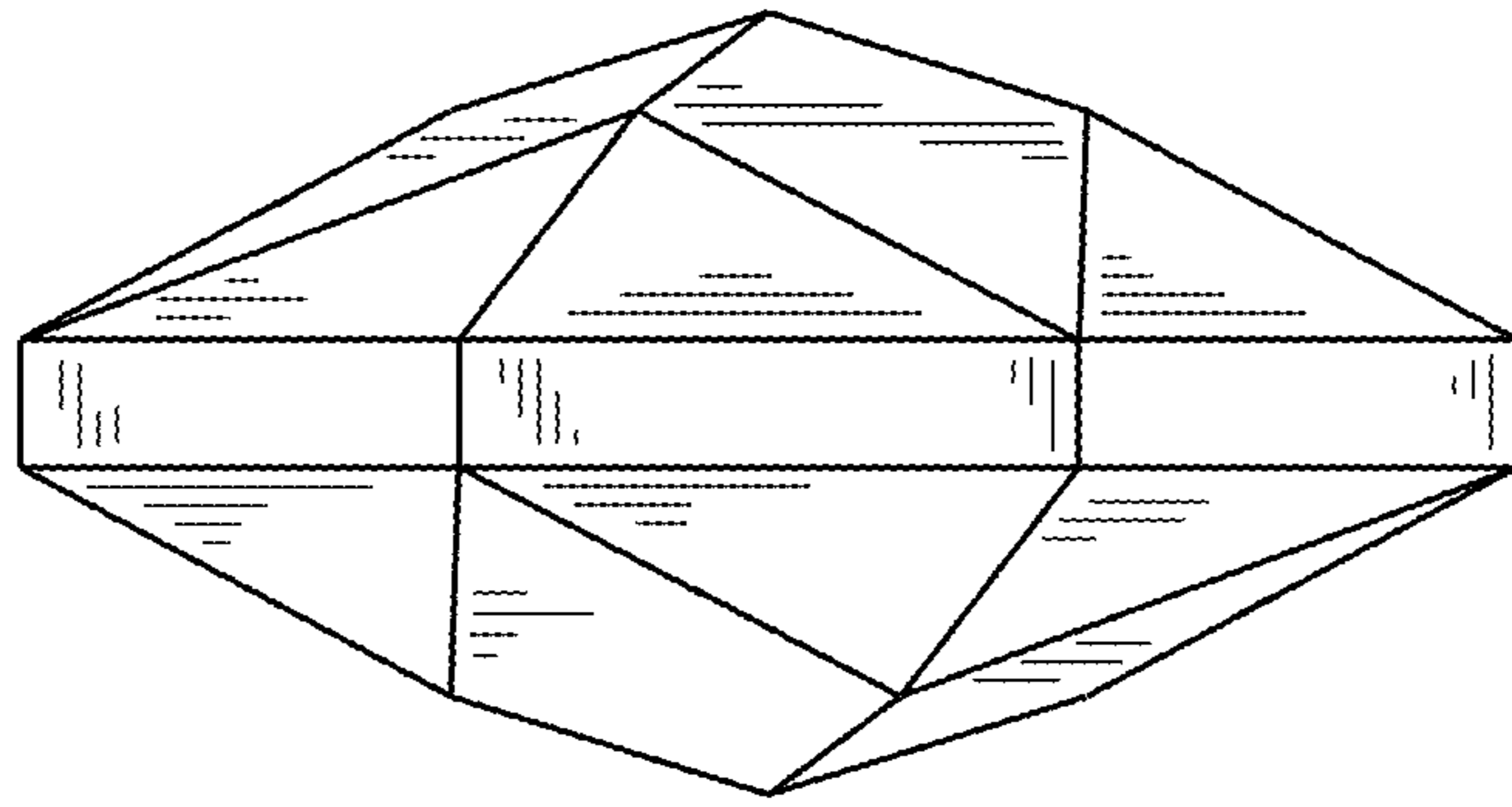


FIG. 5

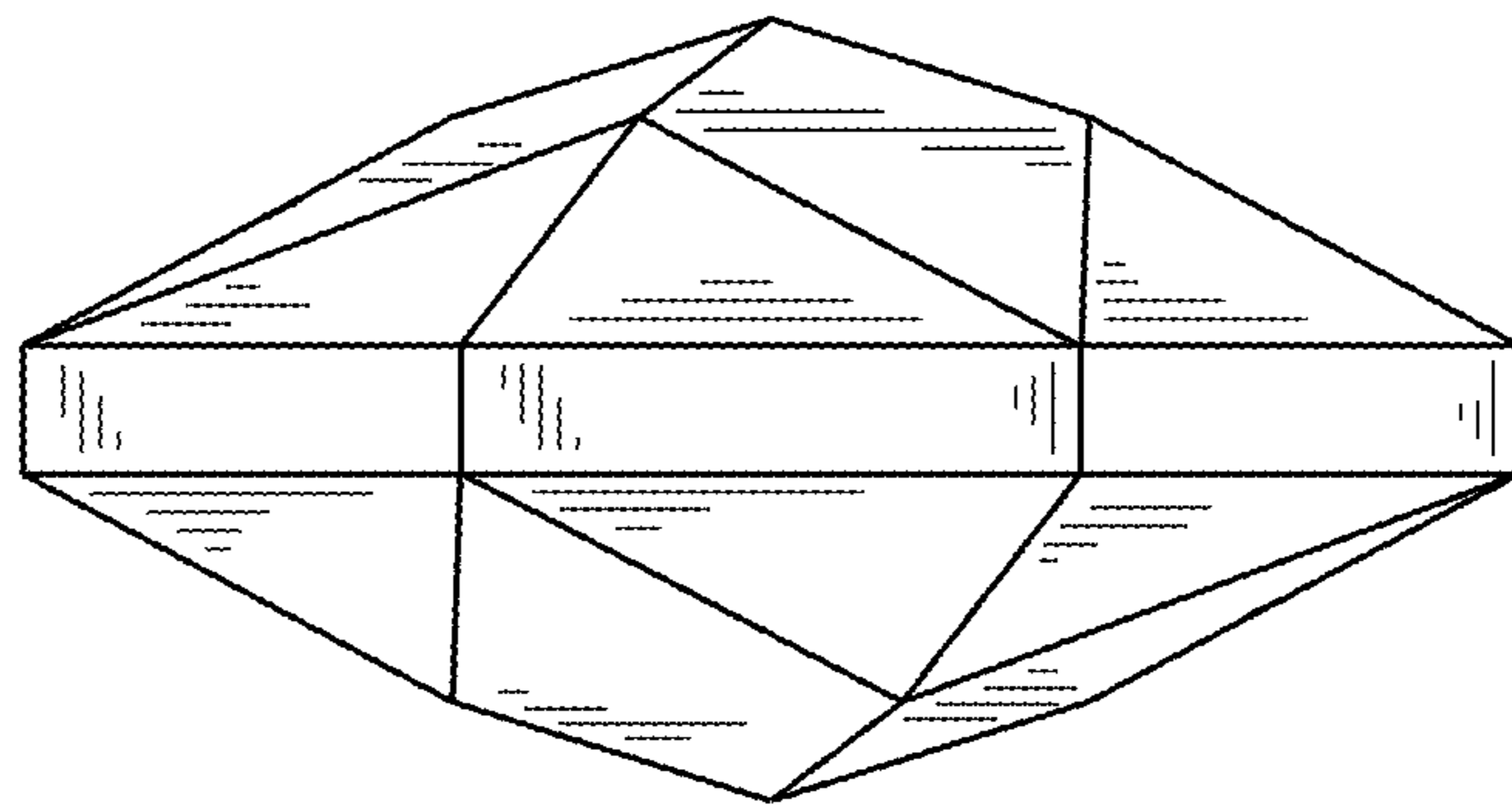


FIG. 6

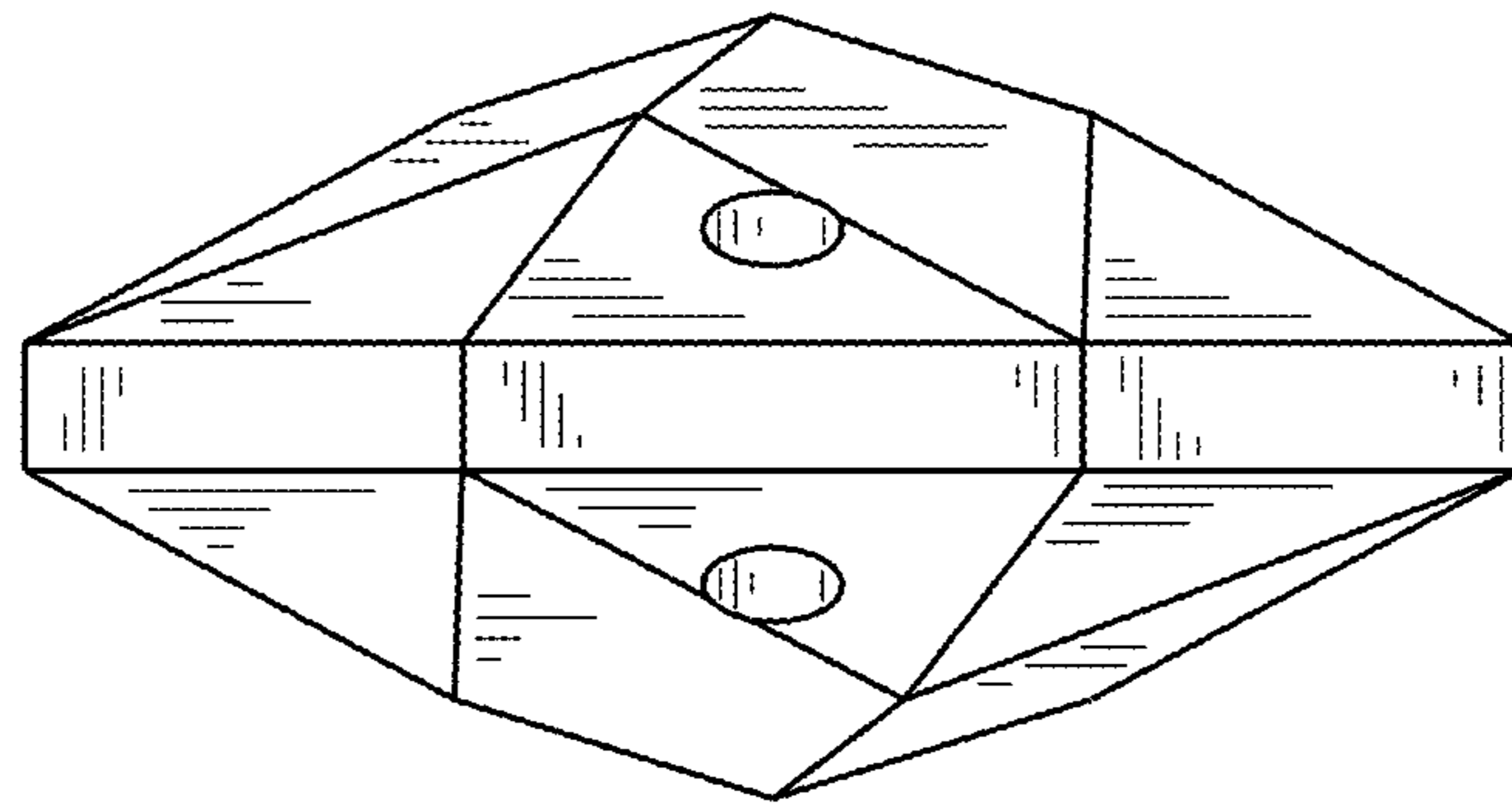


FIG. 7

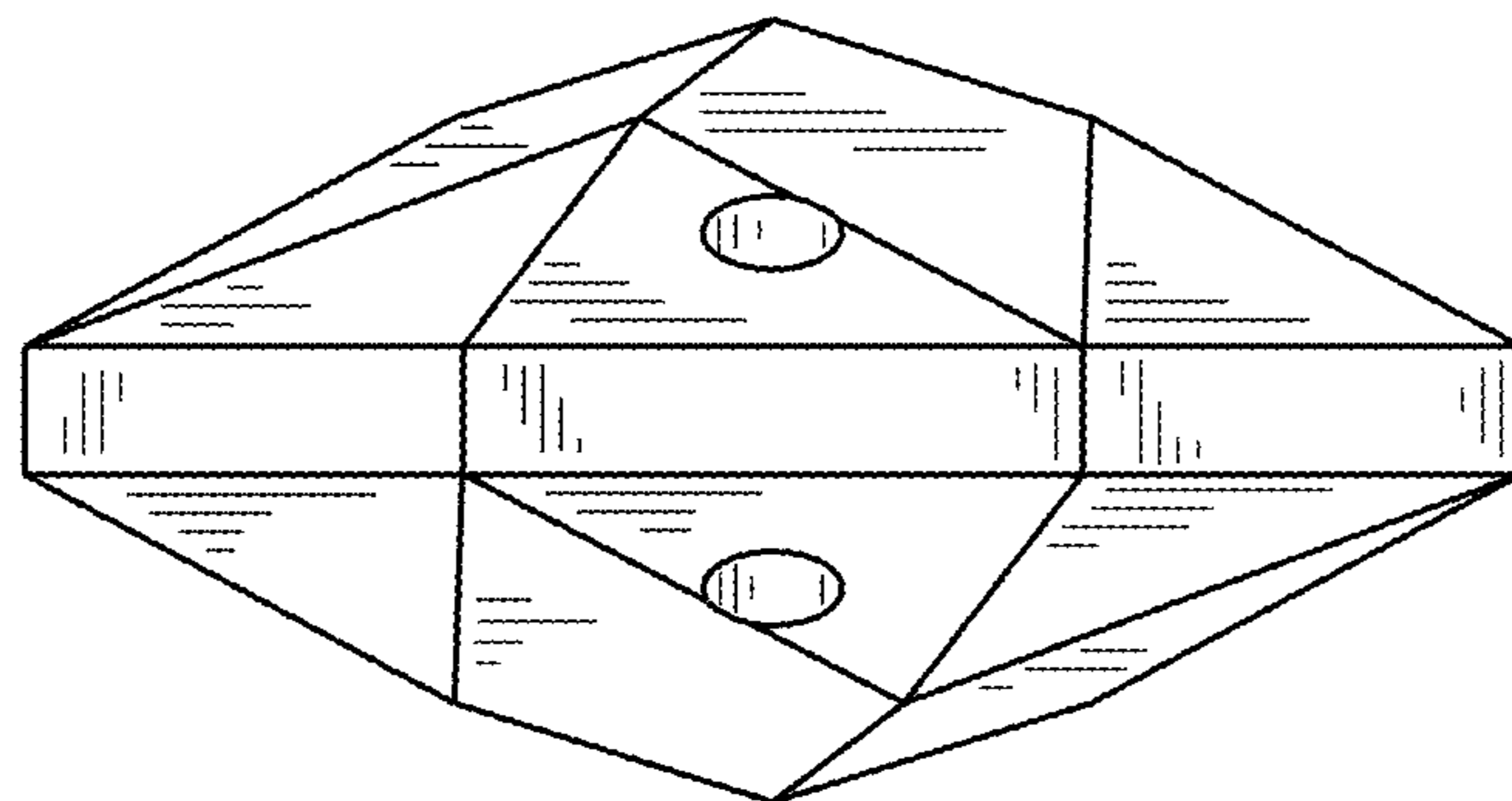


FIG. 8

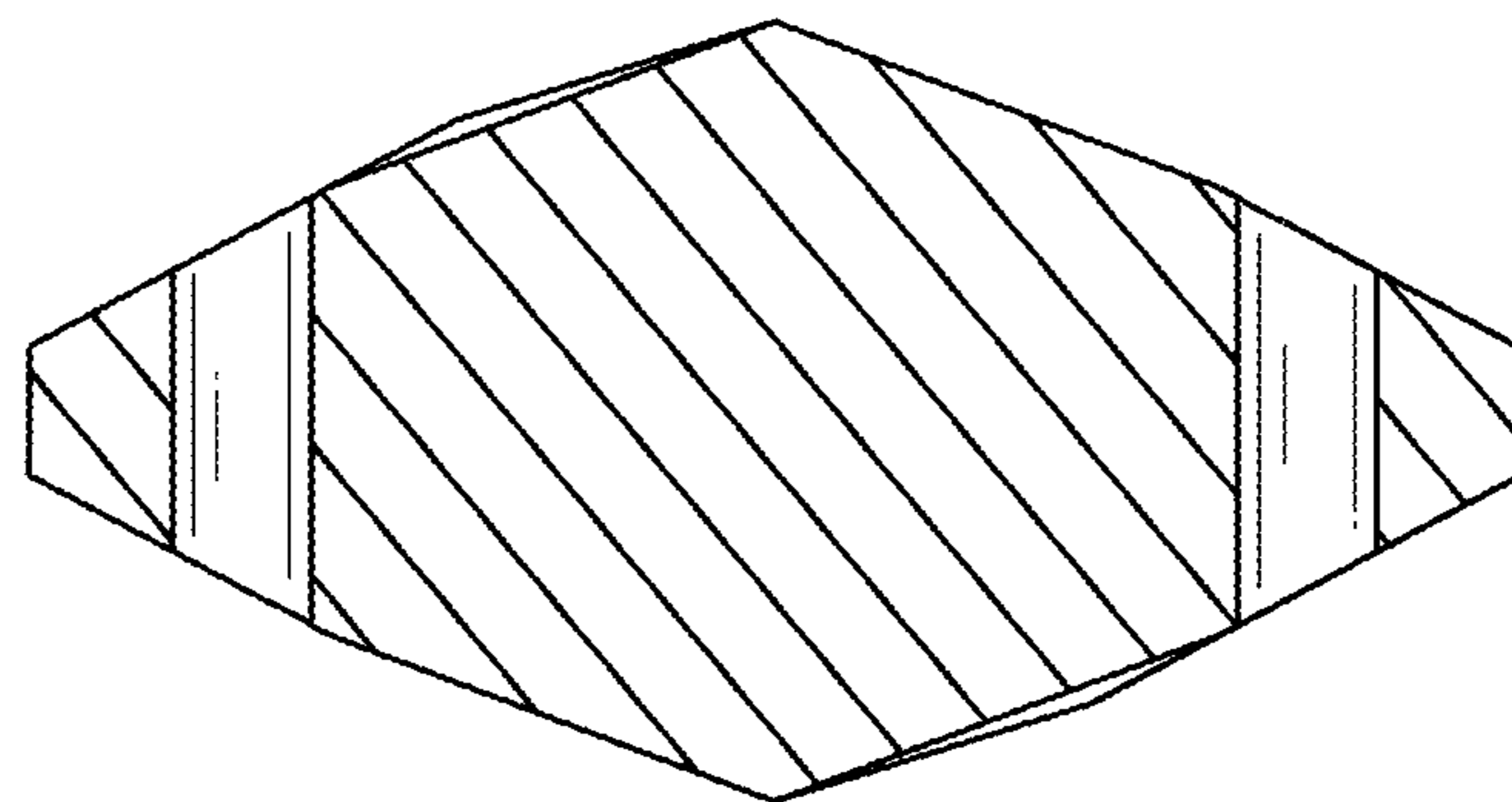


FIG. 9