



US00D814333S

(12) **United States Design Patent** (10) **Patent No.:** **US D814,333 S**  
**Penna** (45) **Date of Patent:** **\*\* Apr. 3, 2018**

(54) **THIRD EYE PENDANT**  
(71) Applicant: **Hasmig A Penna**, Los Angeles, CA  
(US)  
(72) Inventor: **Hasmig A Penna**, Los Angeles, CA  
(US)  
(\*\*) Term: **15 Years**

D132,454 S \* 5/1942 Nathan ..... D11/40  
D151,176 S \* 9/1948 Philippe ..... D11/40  
D154,390 S \* 7/1949 Katz ..... D11/40  
D156,123 S \* 11/1949 Katz ..... D11/45  
D188,211 S \* 6/1960 Seech ..... D11/76  
D249,129 S \* 8/1978 Fishman ..... D11/48  
D253,754 S \* 12/1979 Hill ..... D11/53  
D335,264 S \* 5/1993 Coleman ..... D11/1  
D372,882 S \* 8/1996 Goldman ..... D11/40  
2014/0318181 A1 \* 10/2014 Malvar ..... A44C 1/00  
63/20

(21) Appl. No.: **29/594,824**  
(22) Filed: **Feb. 22, 2017**  
(51) **LOC (11) Cl.** ..... **11-01**  
(52) **U.S. Cl.**  
USPC ..... **D11/79**  
(58) **Field of Classification Search**  
USPC ..... D11/1-8, 40-87  
CPC .... A44C 1/00; A44C 3/00; A44C 7/00; A44C  
7/002; A44C 7/003; A44C 7/004; A44C  
7/005; A44C 7/006; A44C 7/007; A44C  
7/008; A44C 7/009; A44C 11/00; A44C  
11/002; A44C 11/005; A44C 11/007;  
A44C 15/001; A44C 15/0025; A44C  
15/003; A44C 15/005; A44C 15/0055;  
A44C 15/006; A44C 15/0065; A44C  
25/00; A44C 25/001; A44C 25/007  
See application file for complete search history.

(56) **References Cited**  
U.S. PATENT DOCUMENTS  
247,019 A \* 9/1881 Cutting ..... A44C 1/00  
63/20  
645,302 A \* 3/1900 Simmonds ..... A44C 1/00  
63/20  
D36,152 S \* 12/1902 Bowlen ..... D11/76  
D107,112 S \* 11/1937 Katz ..... D11/40

**OTHER PUBLICATIONS**

[Online] <https://beonconges.com/product/third-eye-purify-see/>.  
Retrieved Nov. 26, 2017.\*

\* cited by examiner

*Primary Examiner* — Melanie Pellegrini  
(74) *Attorney, Agent, or Firm* — DeMirjian Law Offices,  
Sevag DeMirjian

(57) **CLAIM**

The ornamental design for the “third eye pendant,” as shown  
and described.

**DESCRIPTION**

FIG. 1—Front, bottom, right side perspective view;  
FIG. 2—Rear, top, right side perspective view;  
FIG. 3—Front elevation view;  
FIG. 4—Rear elevation view;  
FIG. 5—Left side elevation view, the right side elevation  
view being a mirror image;  
FIG. 6—Top plan view; and,  
FIG. 7—Bottom plan view.

**1 Claim, 5 Drawing Sheets**

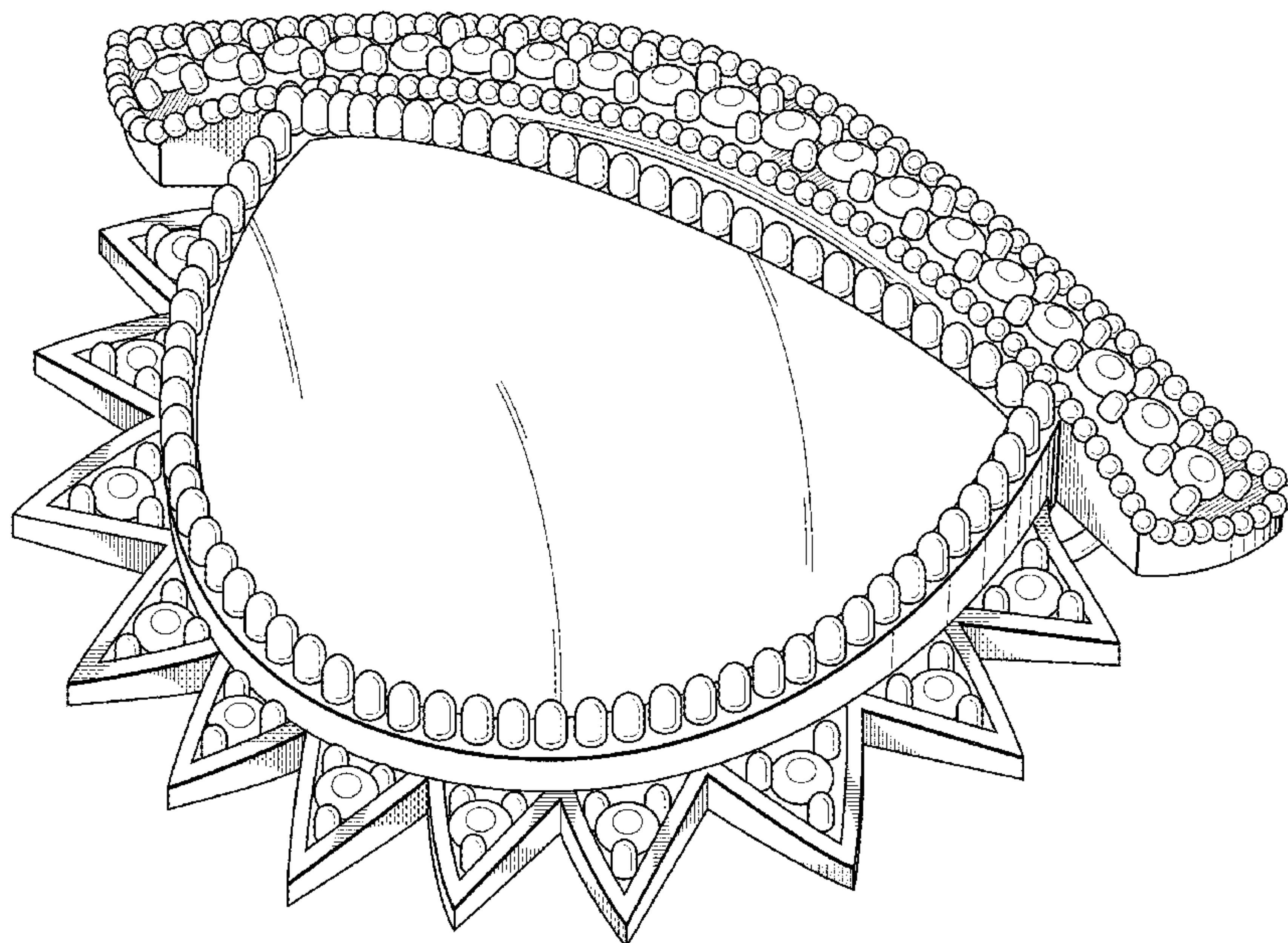
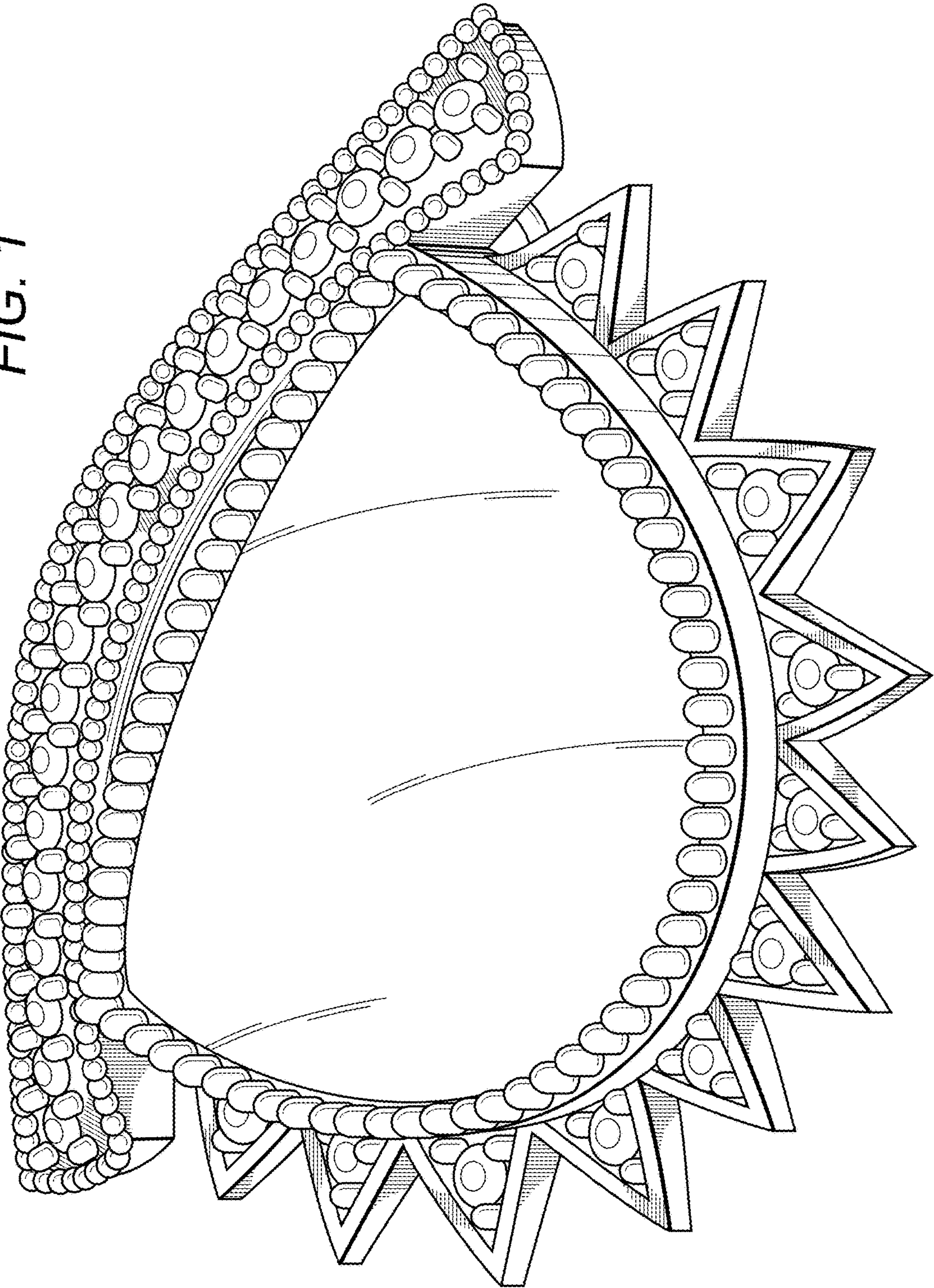


FIG. 1





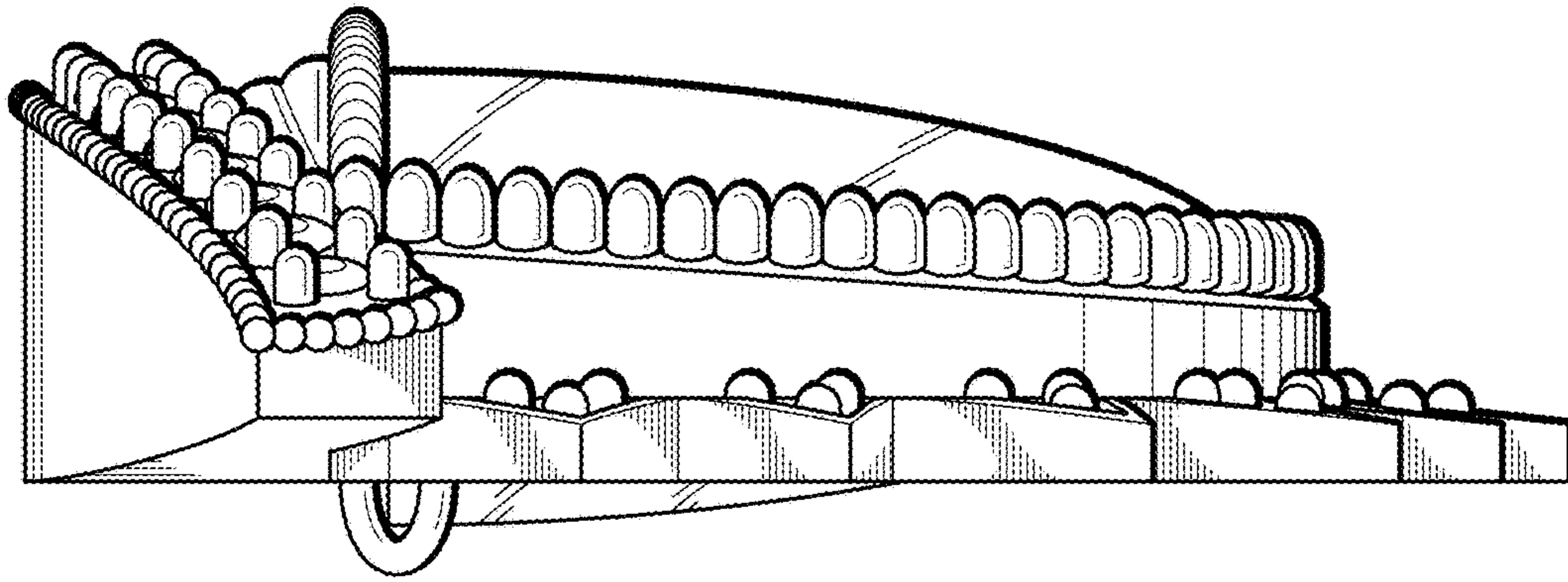


FIG. 5

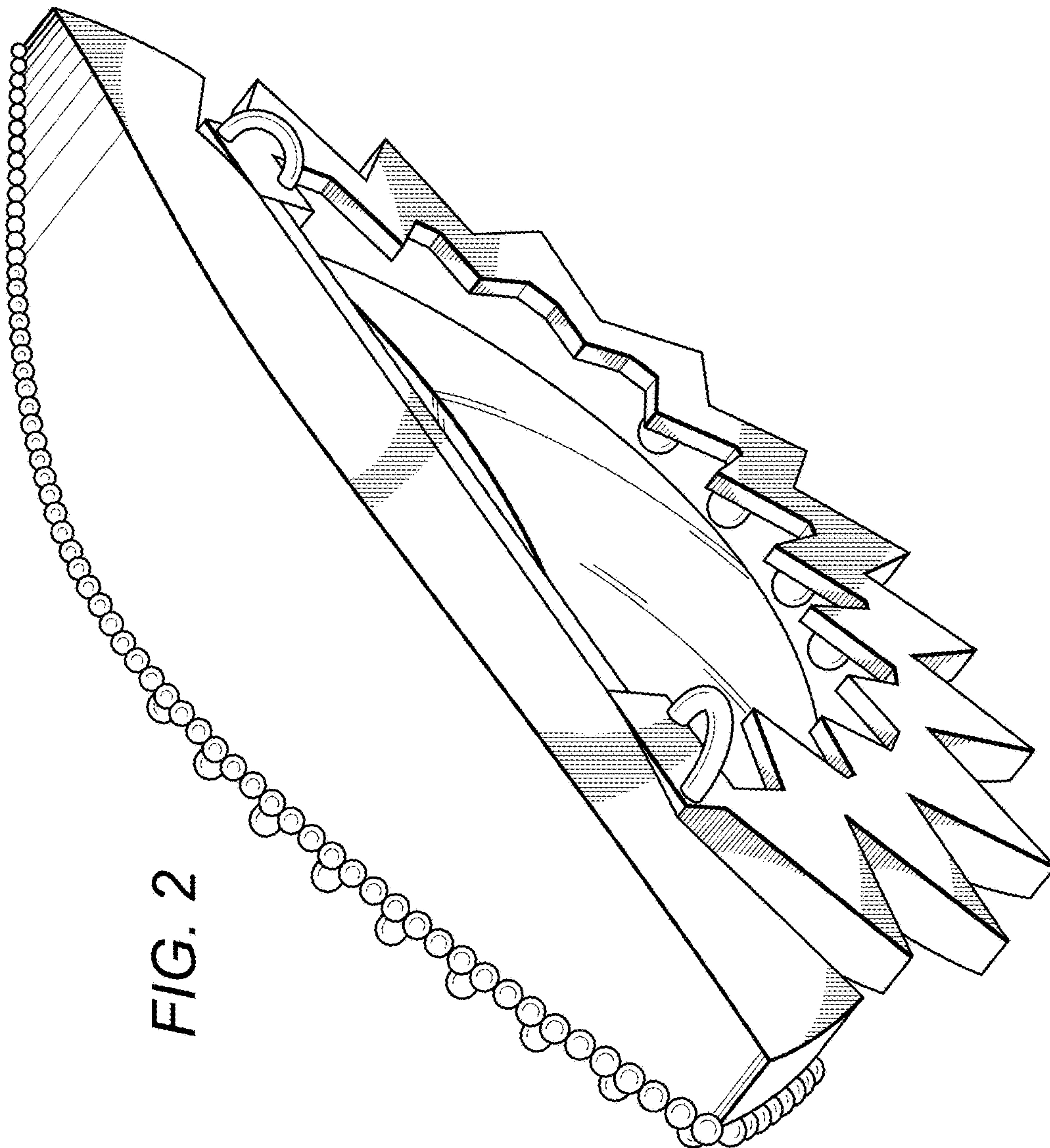


FIG. 2

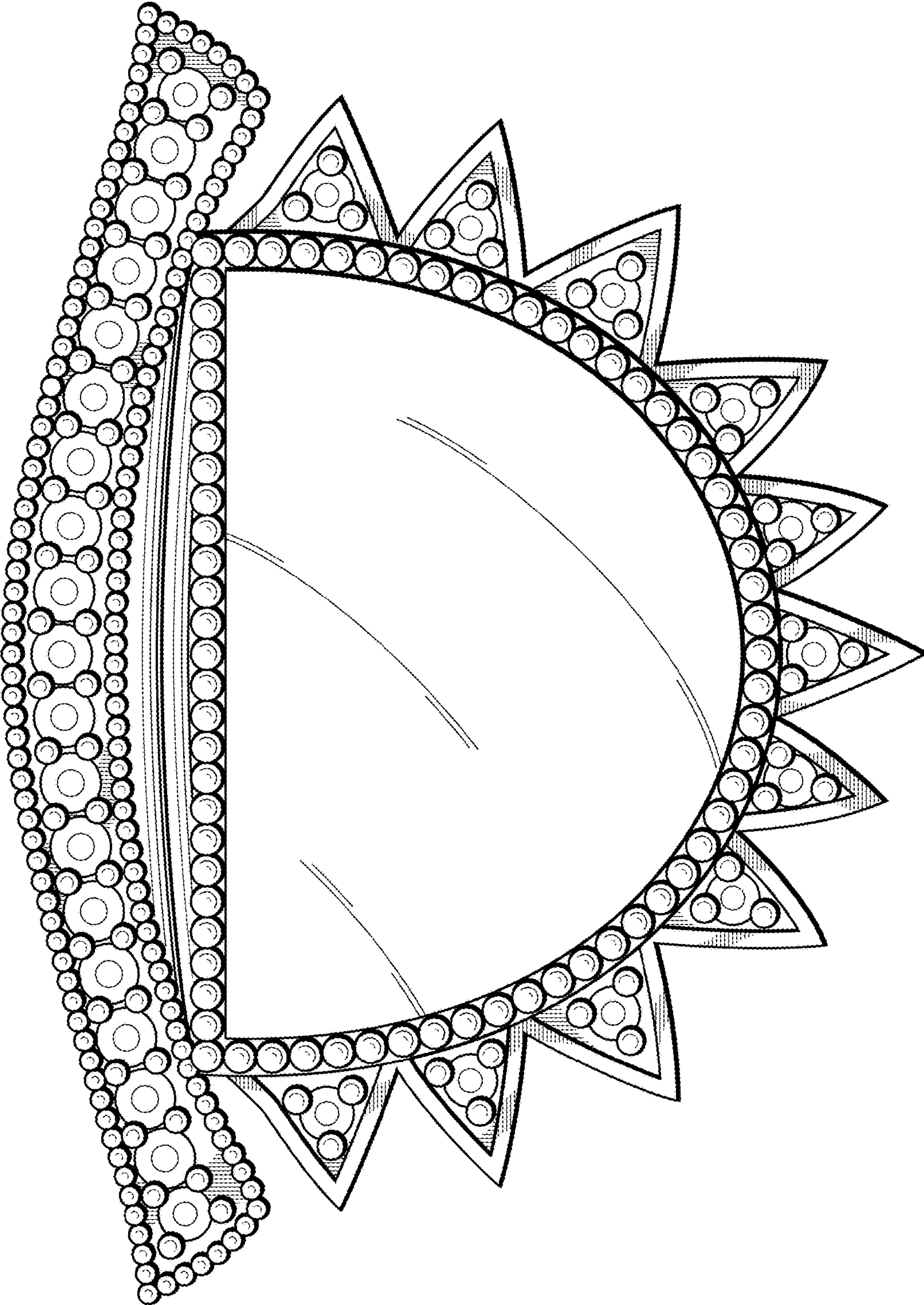


FIG. 3



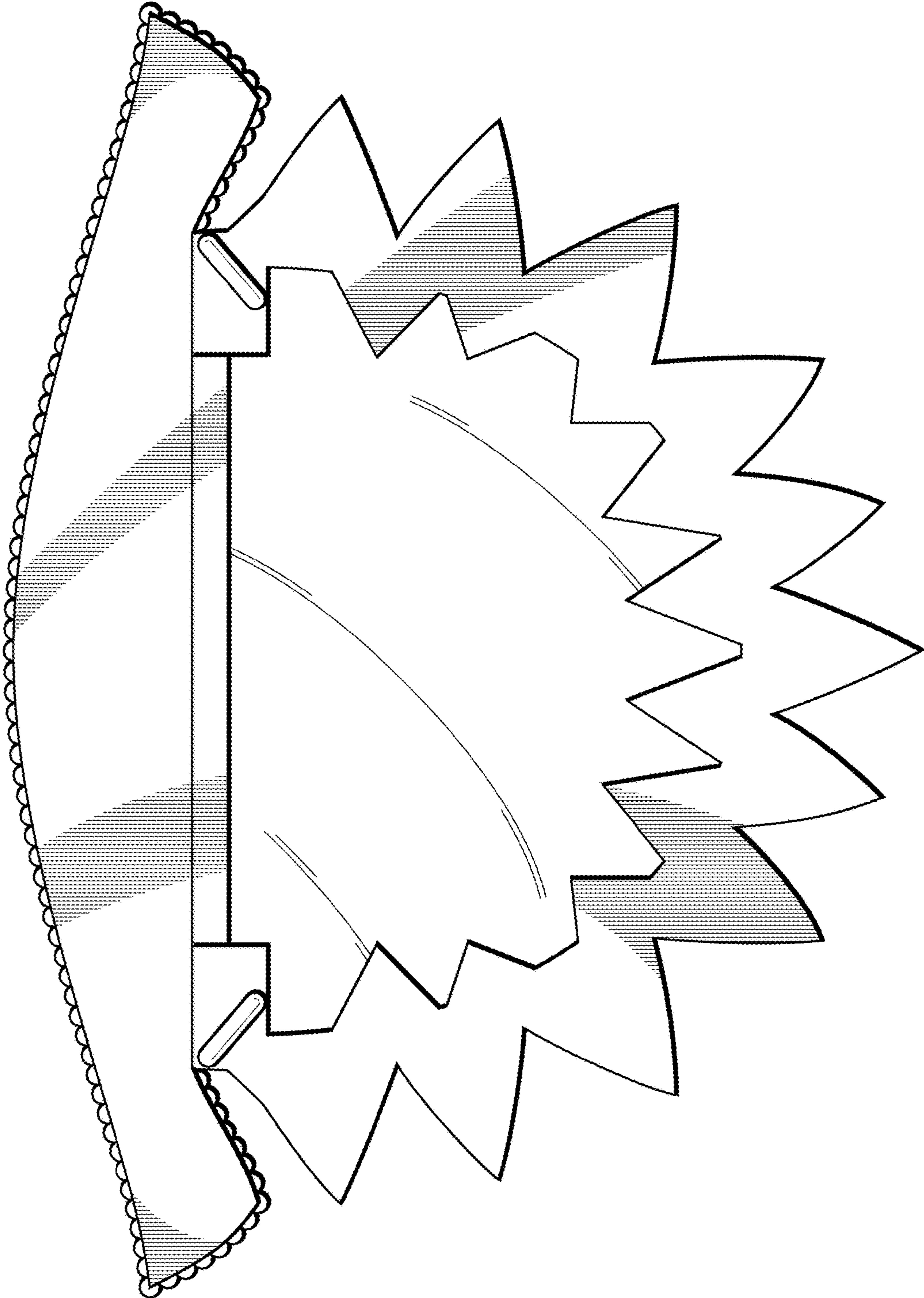


FIG. 4

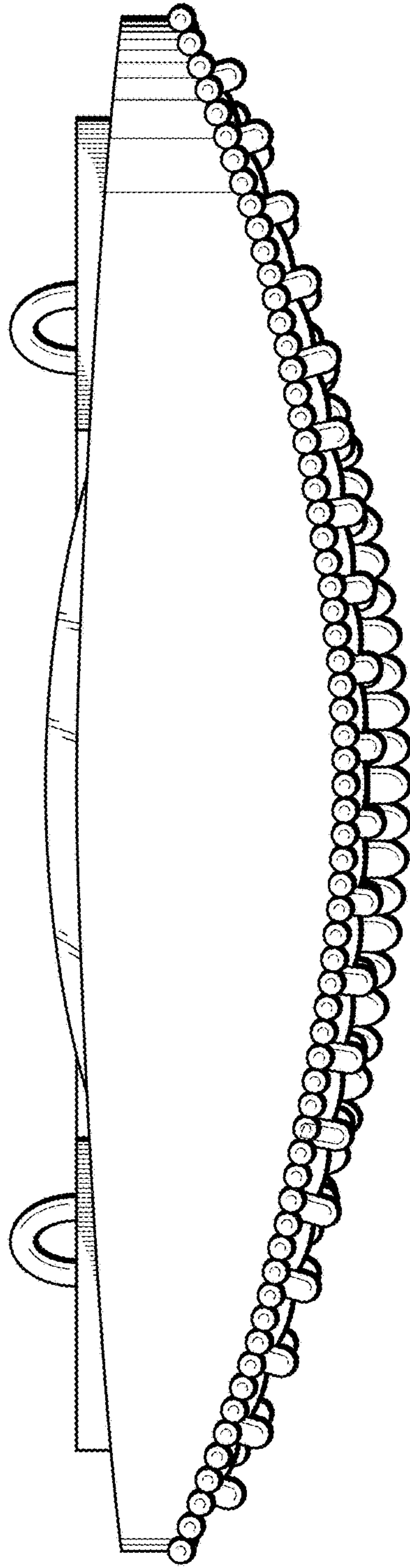


FIG. 6

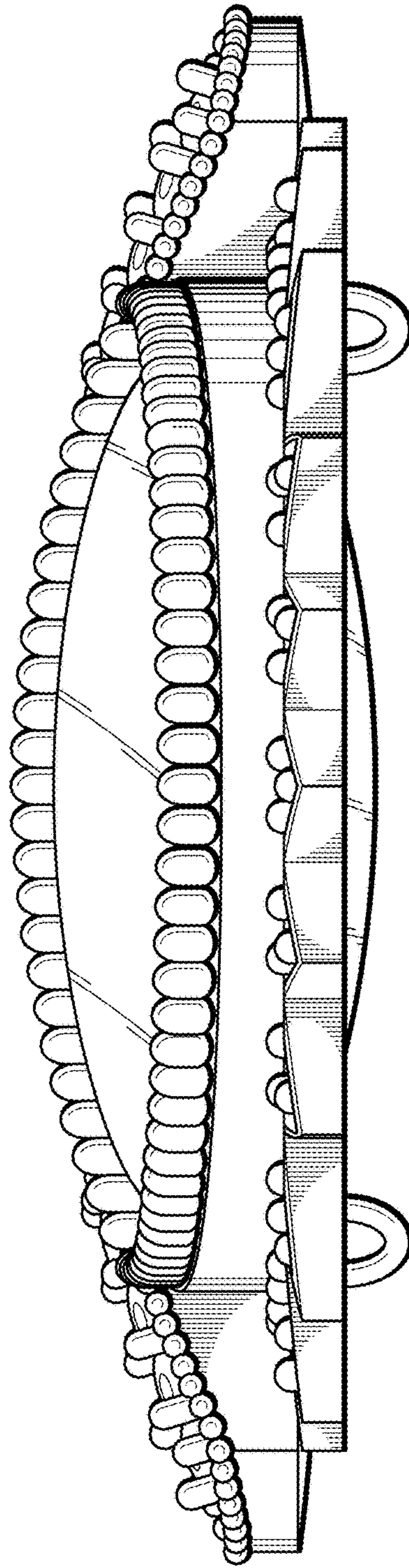


FIG. 7