



US00D814330S

(12) **United States Design Patent** (10) **Patent No.:** **US D814,330 S**
Zylka (45) **Date of Patent:** **** Apr. 3, 2018**

- (54) **RING**
- (71) Applicant: **Edward Zylka**, New York, NY (US)
- (72) Inventor: **Edward Zylka**, New York, NY (US)
- (**) Term: **15 Years**
- (21) Appl. No.: **29/551,480**
- (22) Filed: **Jan. 13, 2016**

- D140,867 S 4/1945 Pommier
- D172,012 S 4/1954 Erianger
- 4,043,145 A 8/1977 Chervin
- D257,019 S 9/1980 Barr
- D273,261 S * 4/1984 Sun D11/38
- D412,458 S 8/1999 Hollander
- D424,965 S * 5/2000 Gueit D11/26
- D439,189 S * 3/2001 Gueit D11/26
- D454,314 S * 3/2002 Stewart D11/27
- D454,513 S * 3/2002 Gueit D11/26
- D456,734 S * 5/2002 Stewart D11/27

(Continued)

Related U.S. Application Data

- (66) Substitute for application No. 29/468,645, filed on Oct. 1, 2013, now abandoned.
- (51) **LOC (11) Cl.** **11-01**
- (52) **U.S. Cl.**
USPC **D11/26**
- (58) **Field of Classification Search**
USPC D11/1, 2, 3, 4, 5, 26-39, 79; D7/633
CPC A44C 1/00; A44C 3/00; A44C 5/00; A44C 5/0007; A44C 5/0015; A44C 5/0023; A44C 5/003; A44C 5/0038; A44C 5/0046; A44C 5/0053; A44C 5/0061; A44C 5/0084; A44C 5/0092; A44C 9/00; A44C 9/0007; A44C 9/0015; A44C 9/0023; A44C 9/003; A44C 9/0038; A44C 9/0046; A44C 9/0053; A44C 9/0061; A44C 9/0069; A44C 9/0076; A44C 15/0025; A44C 15/003
See application file for complete search history.

(56) **References Cited**

U.S. PATENT DOCUMENTS

- D59,236 S 10/1921 Lapidus
- D59,314 S * 10/1921 Winsen D11/38
- D61,982 S * 2/1923 Lapidus 63/3
- D67,567 S * 6/1925 Alterton 63/15
- D114,450 S 4/1939 Lannes
- D136,136 S 8/1943 Sager

OTHER PUBLICATIONS

[Online] https://img0.etsystatic.com/000/0/6050455/il_570xN.338663782.jpg. Retrieved Dec. 7, 2017.*

(Continued)

Primary Examiner — Melanie Pellegrini
(74) *Attorney, Agent, or Firm* — QuickPatents, LLC; Kevin Prince

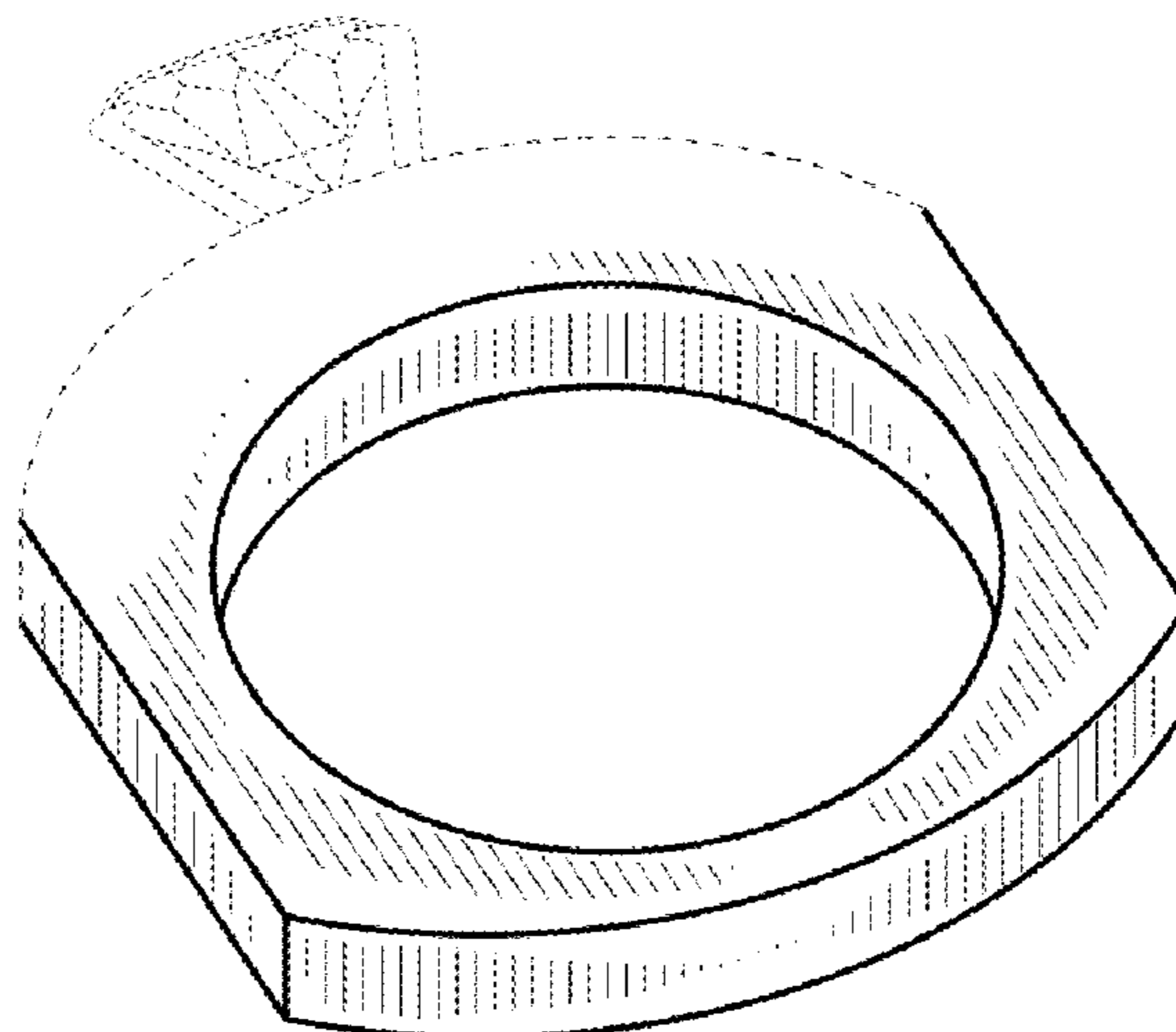
(57) **CLAIM**

I claim the ornamental design for a ring, as shown and described.

DESCRIPTION

FIG. 1 is a bottom perspective view of a ring, showing my new design;
FIG. 2 is a front elevational view thereof, the rear elevational view being a mirror image thereof;
FIG. 3 is a left-side elevational view thereof, the right-side elevational view being a mirror image thereof; and,
FIG. 4 is a bottom plan view thereof.
The broken lines showing a gem in FIG. 1 depict environmental matter and form no part of the claimed design. The remaining broken lines represent a boundary of the claimed design. The top plan view is understood to form no part of the claimed design.

1 Claim, 1 Drawing Sheet



(56)

References Cited

U.S. PATENT DOCUMENTS

D492,216 S 6/2004 Schubach
D519,398 S 4/2006 Bulgari
D531,927 S 11/2006 Fogel
D560,135 S 1/2008 Kohl
D600,585 S 9/2009 Fox
D604,193 S * 11/2009 Kohl D11/26
D641,650 S 7/2011 Bodino
D669,811 S 10/2012 Hustik
D710,740 S 8/2014 Schmidt
D747,659 S * 6/2016 Coin D11/3
D779,366 S * 2/2017 Rose D11/26
D779,367 S * 2/2017 Rose D11/26

OTHER PUBLICATIONS

[Online] https://cdn-s3.touchofmodern.com/products/000/007/615/1847748d14f1cde6befca5d16f7999b0_large.jpg?1392330738.

Retrieved Dec. 7, 2017.*

[Online] https://cdn.shopify.com/s/files/1/0002/1217/products/square_medium_wedding_band_with_moissanite_large.jpg?v=1466356089.

Retrieved Dec. 7, 2017.*

* cited by examiner

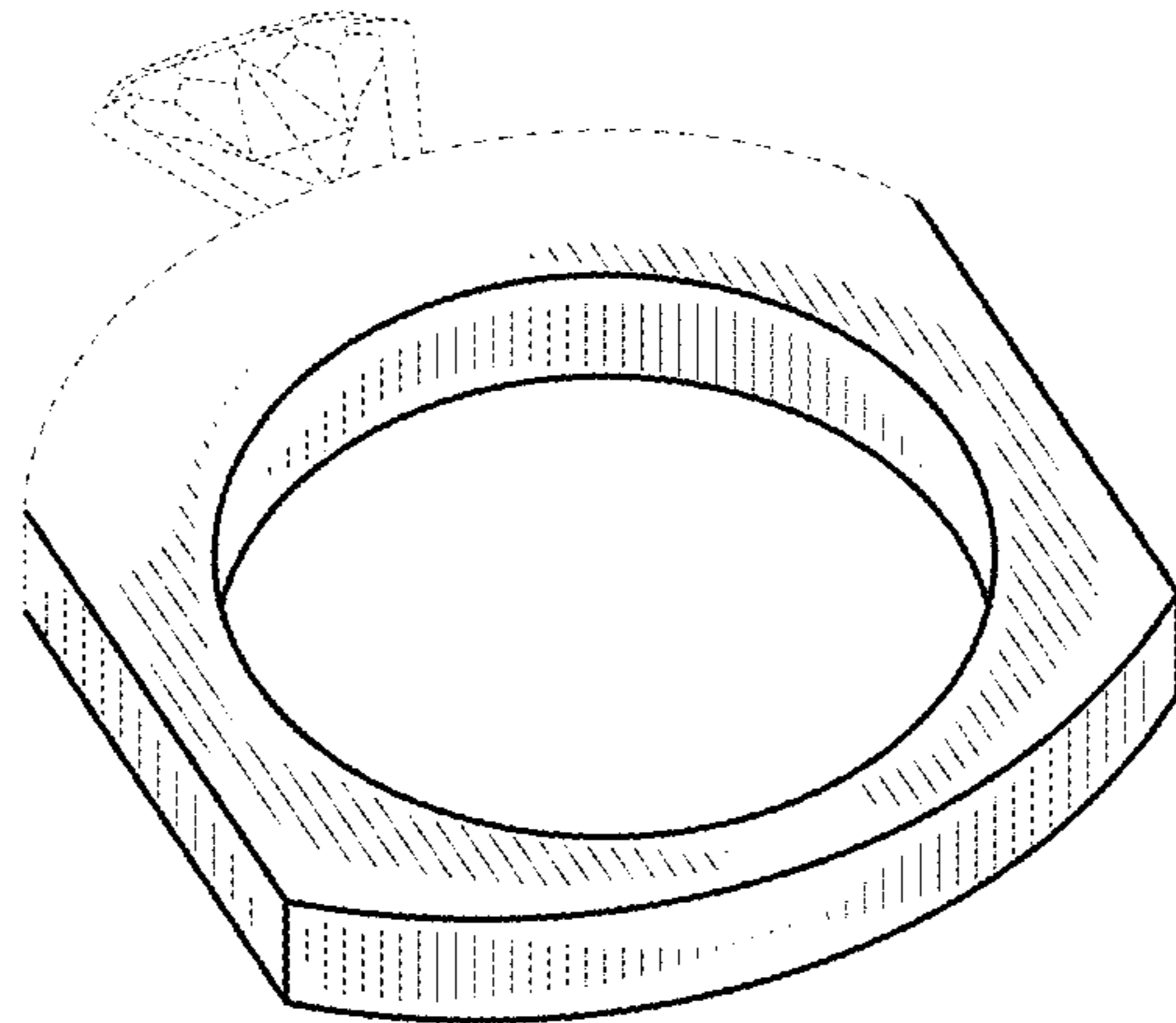


FIG. 1

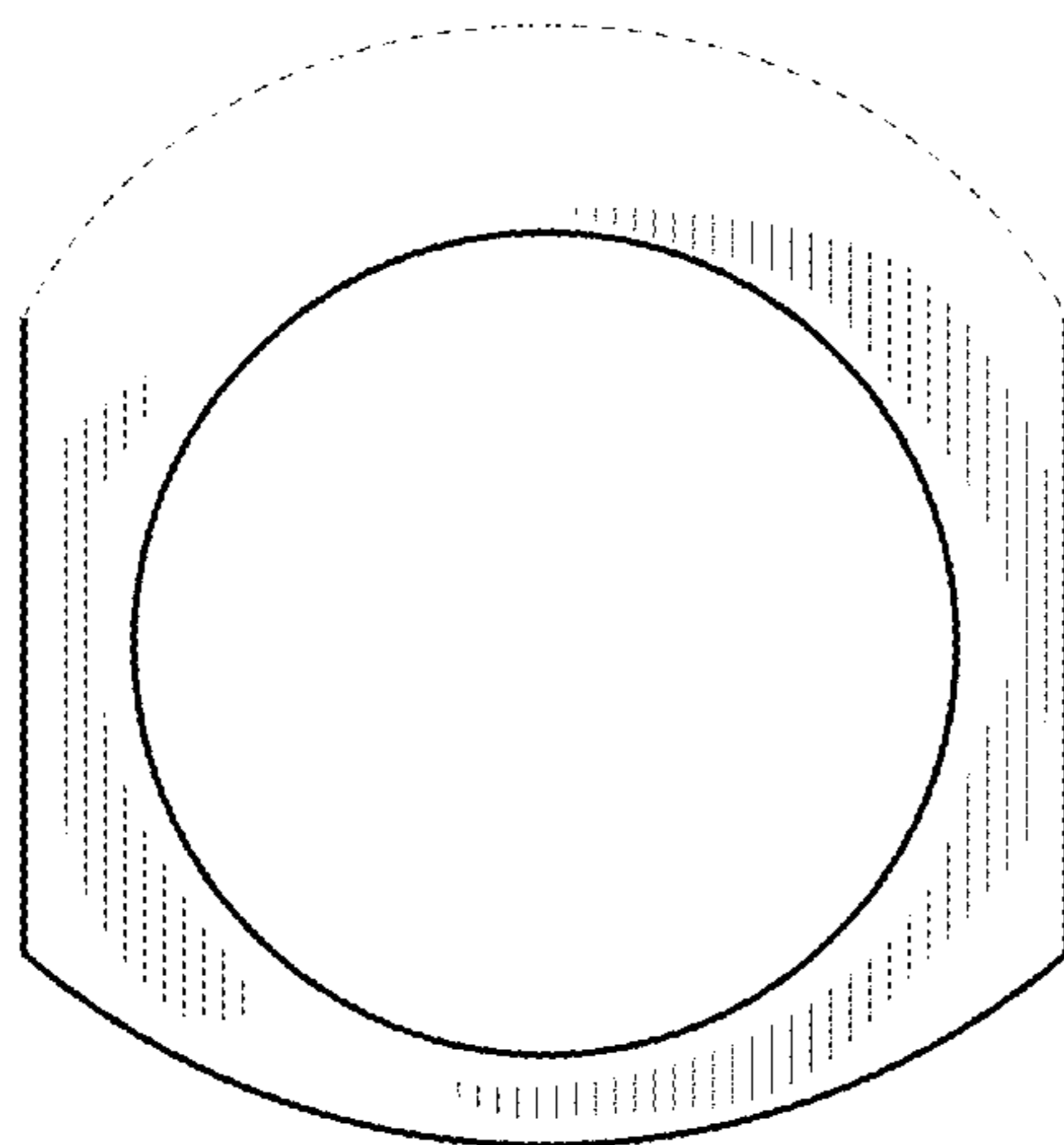


FIG. 2

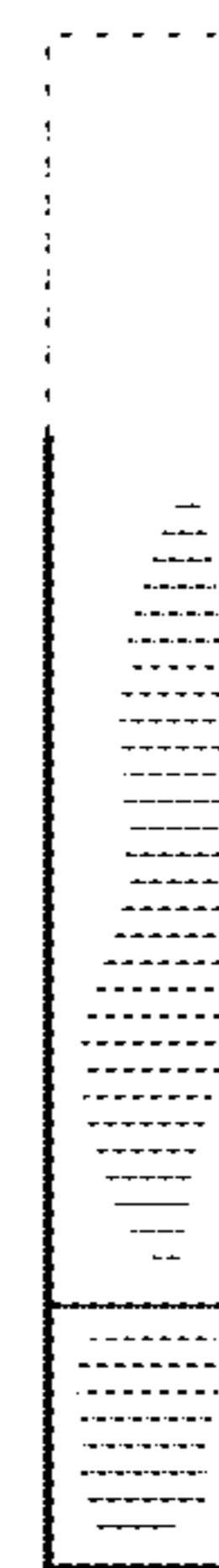


FIG. 3

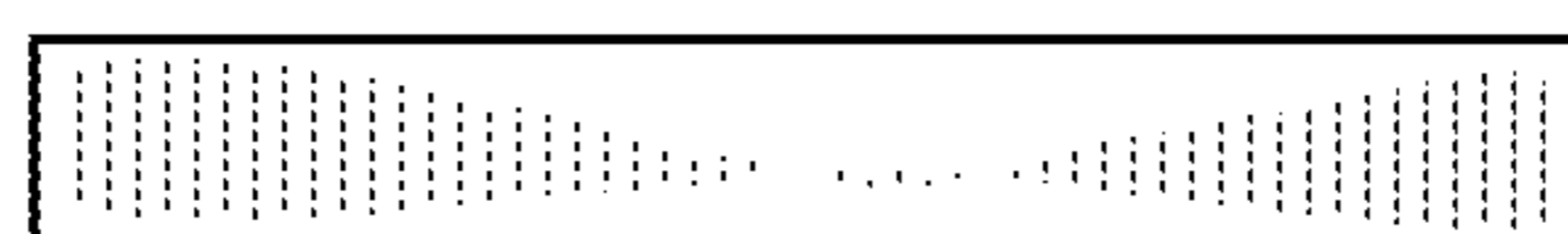


FIG. 4