



US00D814327S

(12) **United States Design Patent**  
**Leyshon et al.**

(10) **Patent No.: US D814,327 S**

(45) **Date of Patent: \*\* \*Apr. 3, 2018**

(54) **FIRE ALARM**

CPC ..... G08B 17/00  
See application file for complete search history.

(71) Applicant: **HOCHIKI CORPORATION**, Tokyo (JP)

(56) **References Cited**

(72) Inventors: **Adrian Leyshon**, Tokyo (JP); **Stephen Cox**, Tokyo (JP); **Manabu Dohi**, Tokyo (JP)

U.S. PATENT DOCUMENTS

D472,175 S \* 3/2003 Welsh ..... D10/106.5  
D627,670 S \* 11/2010 Gonzales ..... D10/106.5  
D653,574 S \* 2/2012 Gonzales ..... D10/106.5  
D771,512 S \* 11/2016 Kalyan ..... D10/106.5

(73) Assignee: **Hochiki Kabushiki Kaisha**, Tokyo (JP)

\* cited by examiner

(\*) Notice: This patent is subject to a terminal disclaimer.

*Primary Examiner* — George D Kirschbaum

(\*\*) Term: **15 Years**

(74) *Attorney, Agent, or Firm* — McCarter & English, LLP

(21) Appl. No.: **35/500,659**

(57) **CLAIM**

(22) Filed: **Aug. 31, 2015**

The ornamental design for a fire alarm, as shown and described.

(80) **Hague Agreement Data**

Int. Filing Date: **Aug. 31, 2015**

Int. Reg. No.: **DM/088679**

Int. Reg. Date: **Aug. 31, 2015**

Int. Reg. Pub. Date: **Mar. 4, 2016**

**DESCRIPTION**

(30) **Foreign Application Priority Data**

Mar. 2, 2015 (JP) ..... 2015-4356

(51) **LOC (11) Cl.** ..... **10-05**

(52) **U.S. Cl.**  
USPC ..... **D10/106.5**

(58) **Field of Classification Search**  
USPC ..... D10/106.5

1. Fire alarm

1.1 : Front

1.2 : Top

1.3 : Bottom

1.4 : Left

1.5 : Right

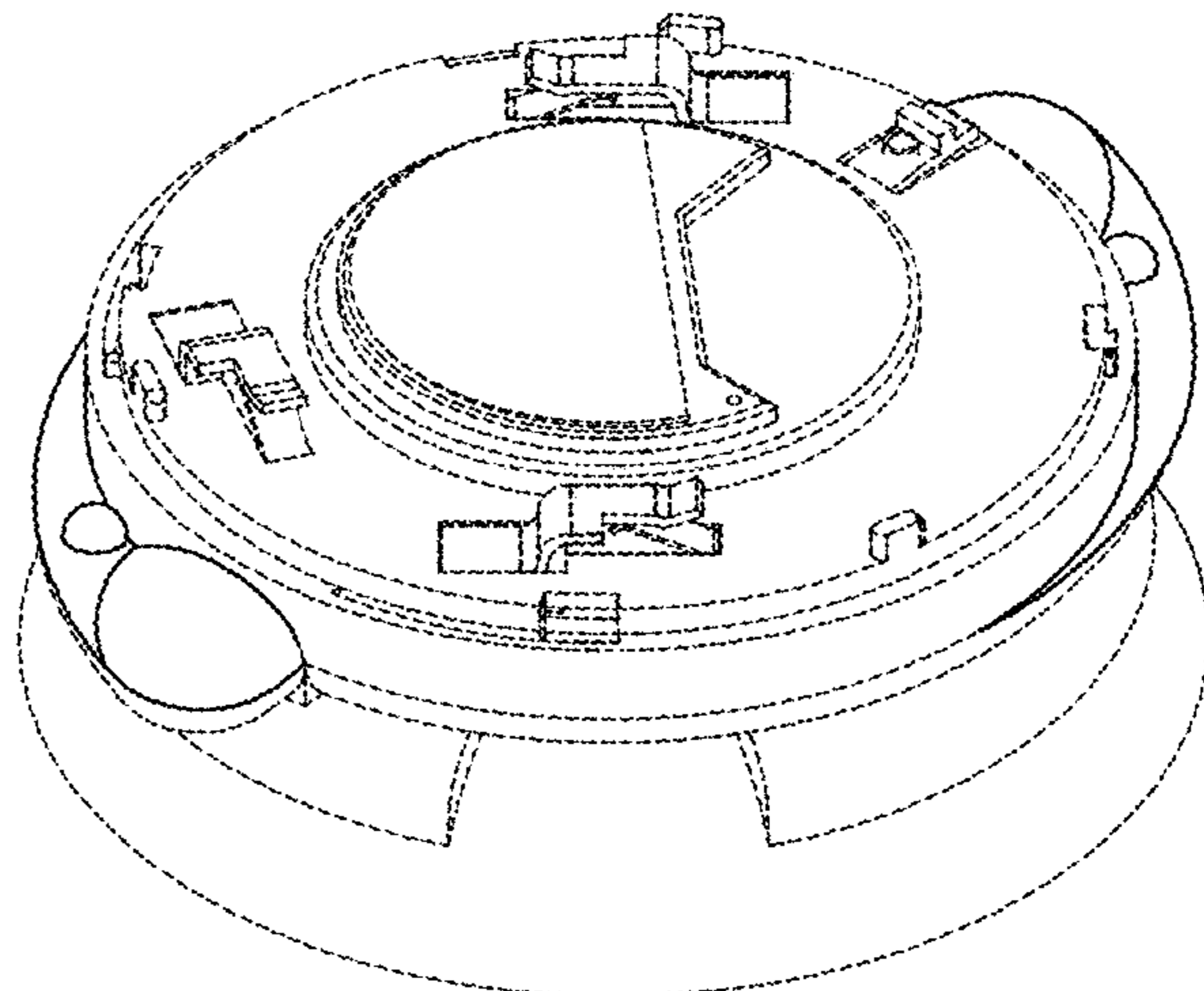
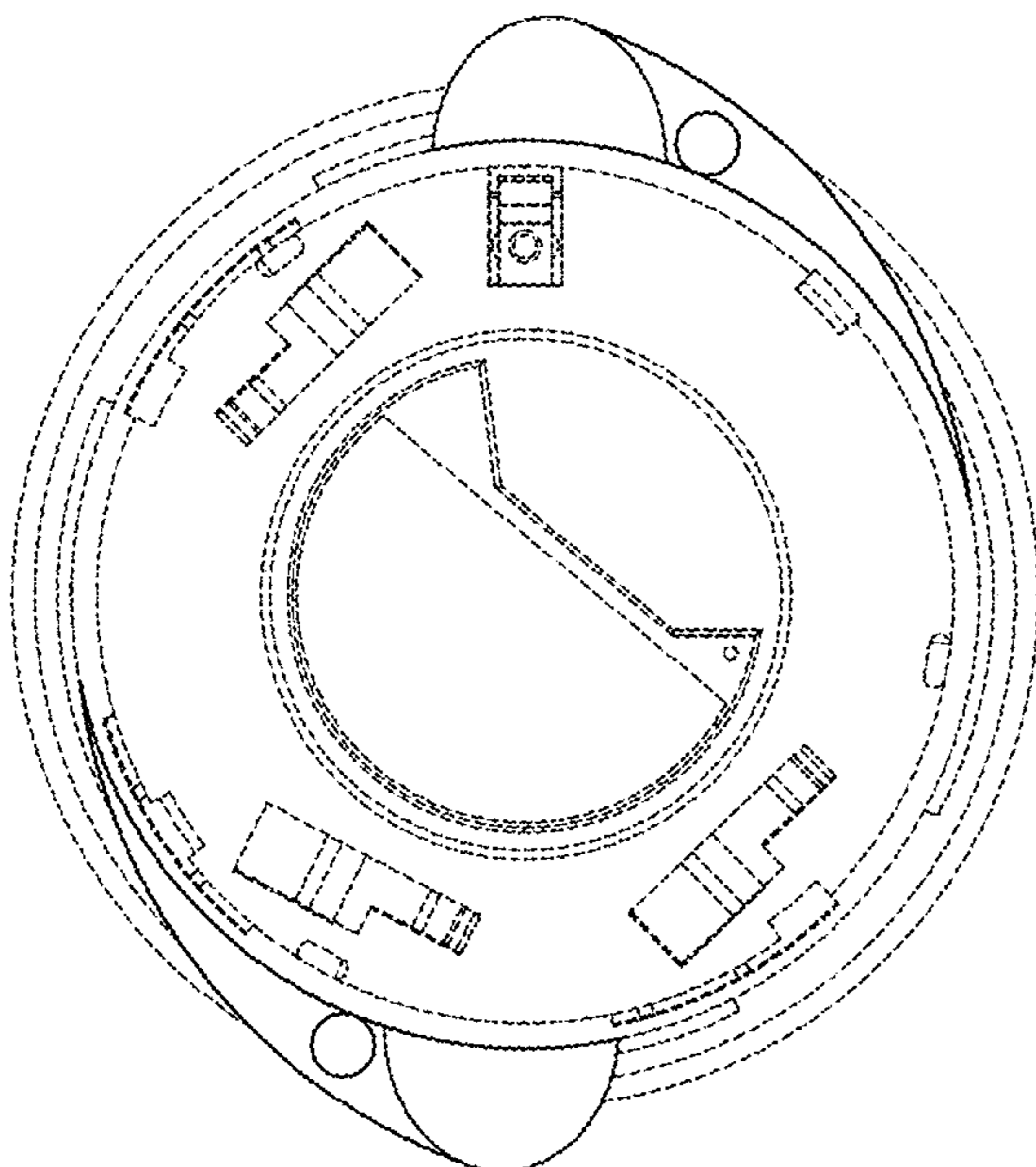
1.6 : Back

1.7 : Perspective

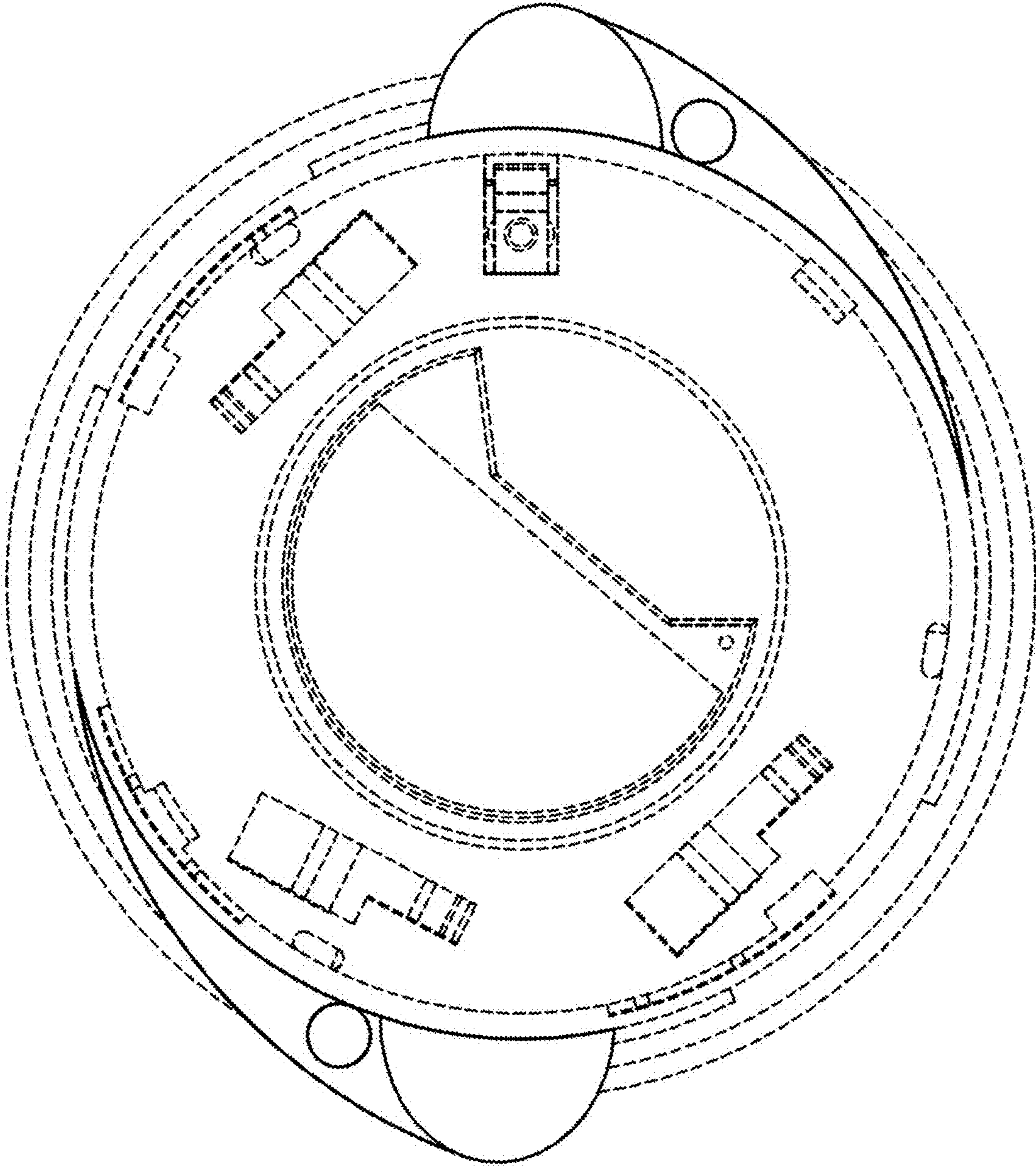
1.8 : Perspective

The broken lines depict unclaimed environmental subject matter.

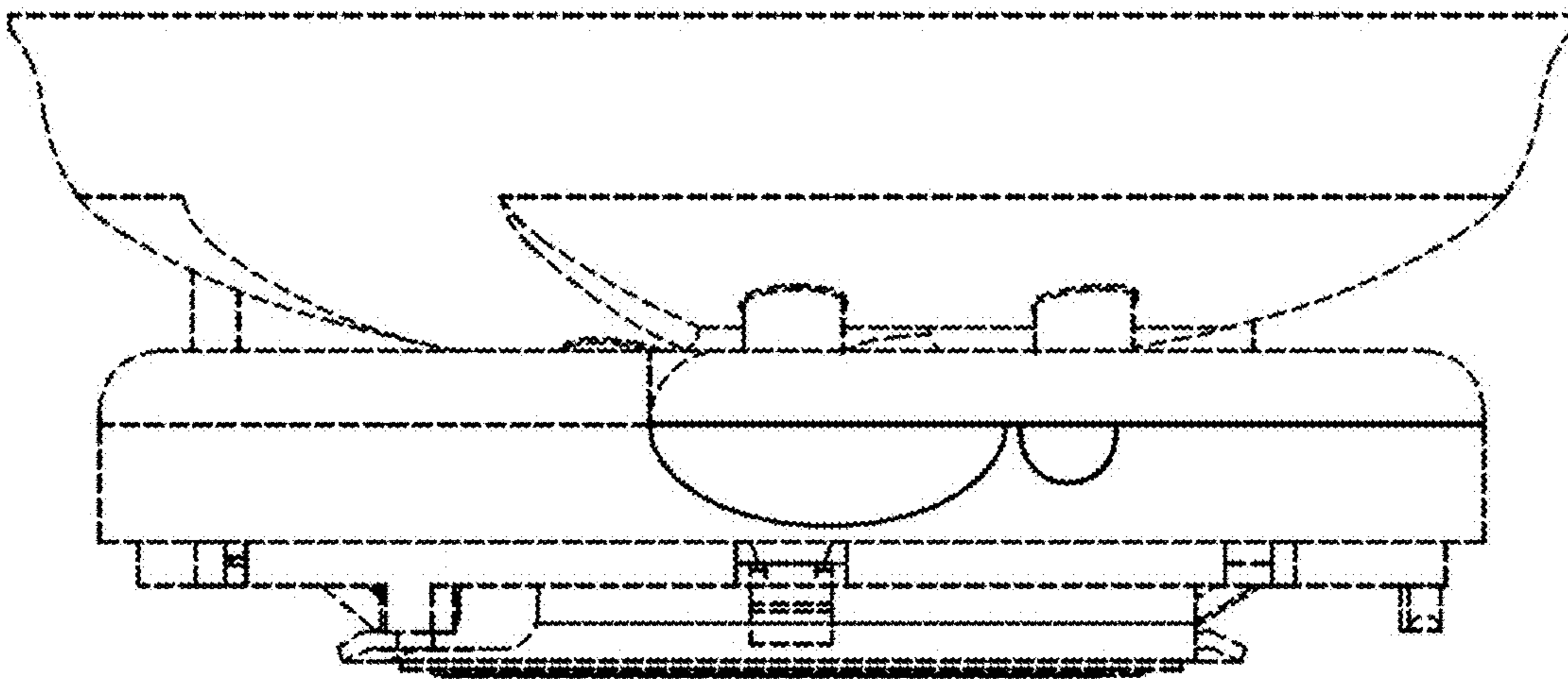
**1 Claim, 8 Drawing Sheets**



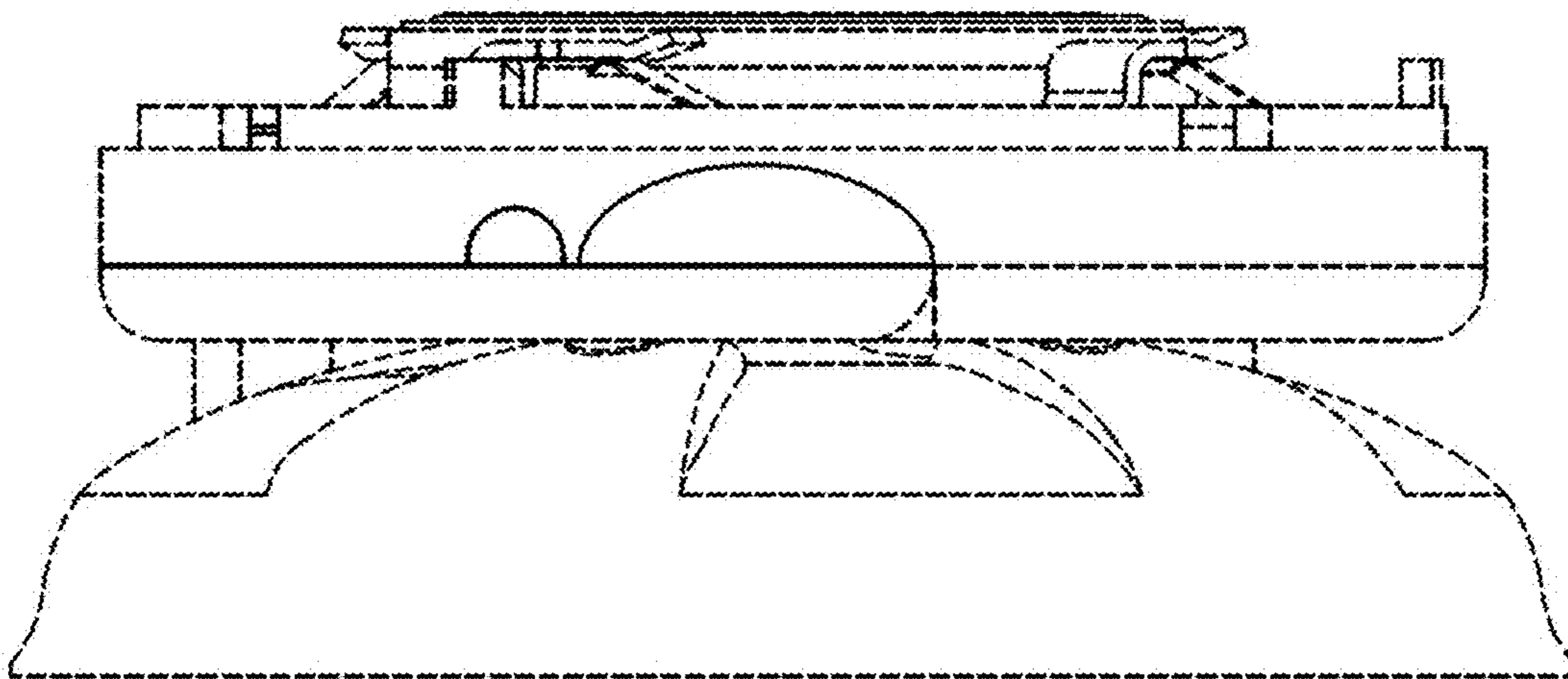
1.1



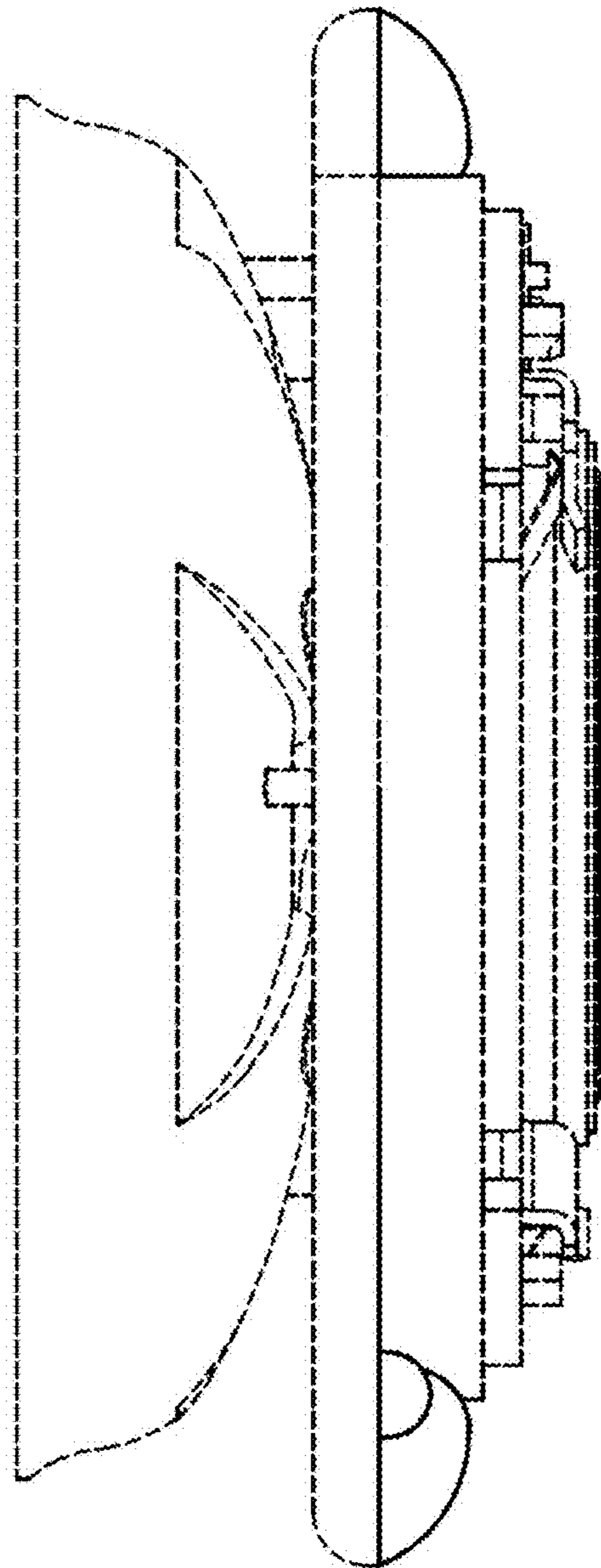
1.2



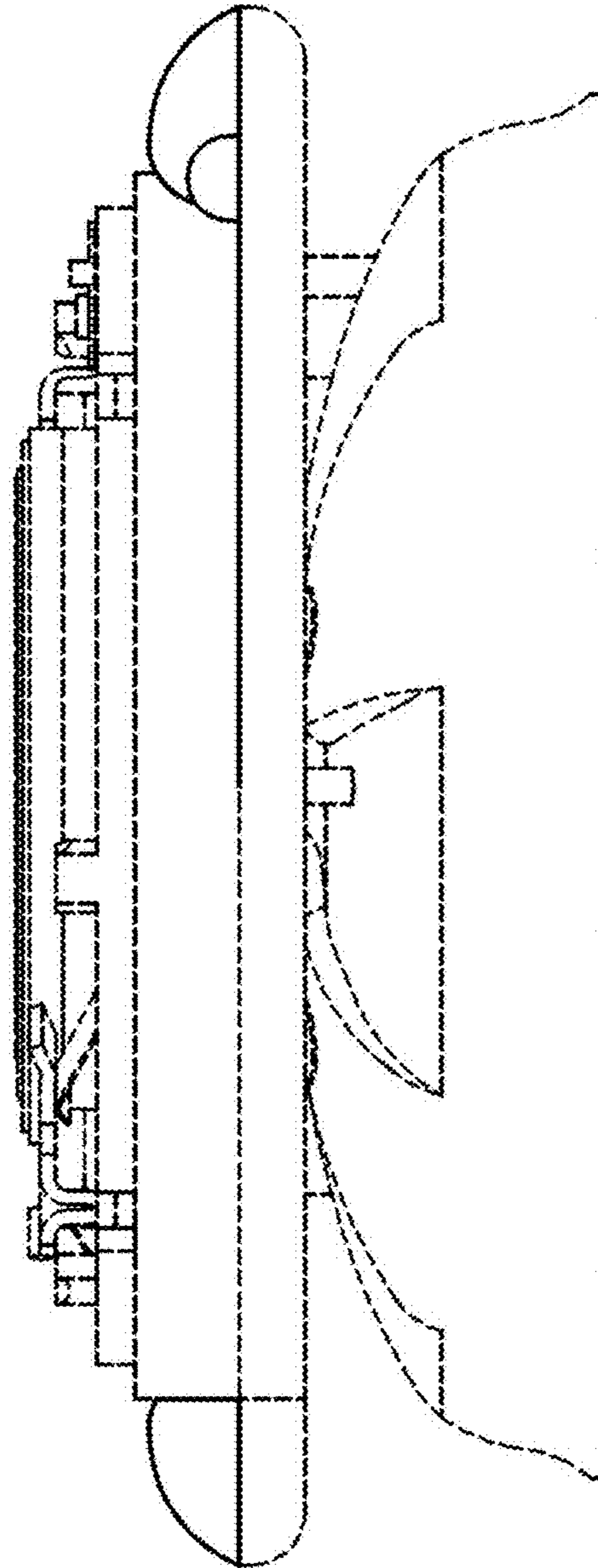
1.3



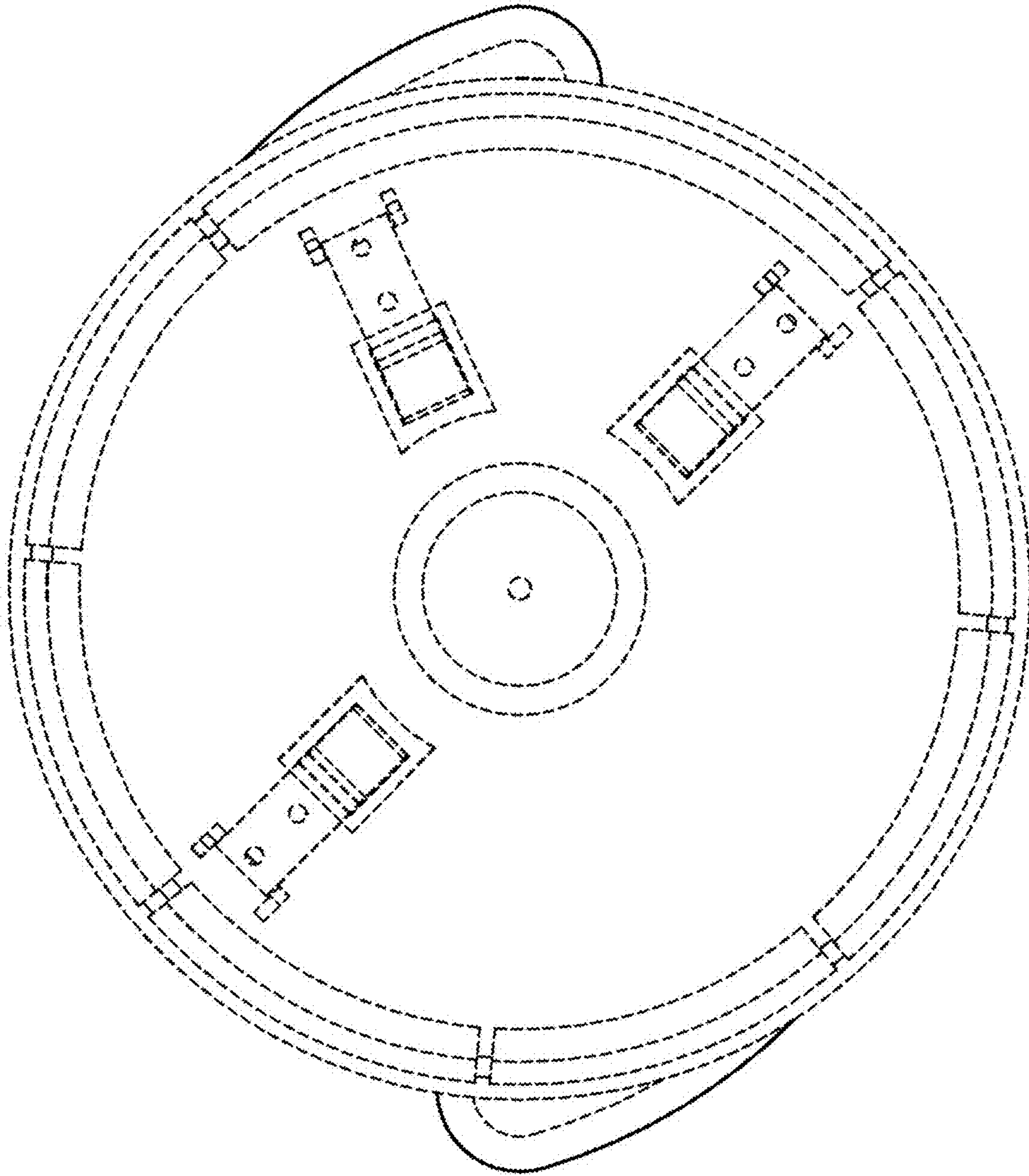
1.4



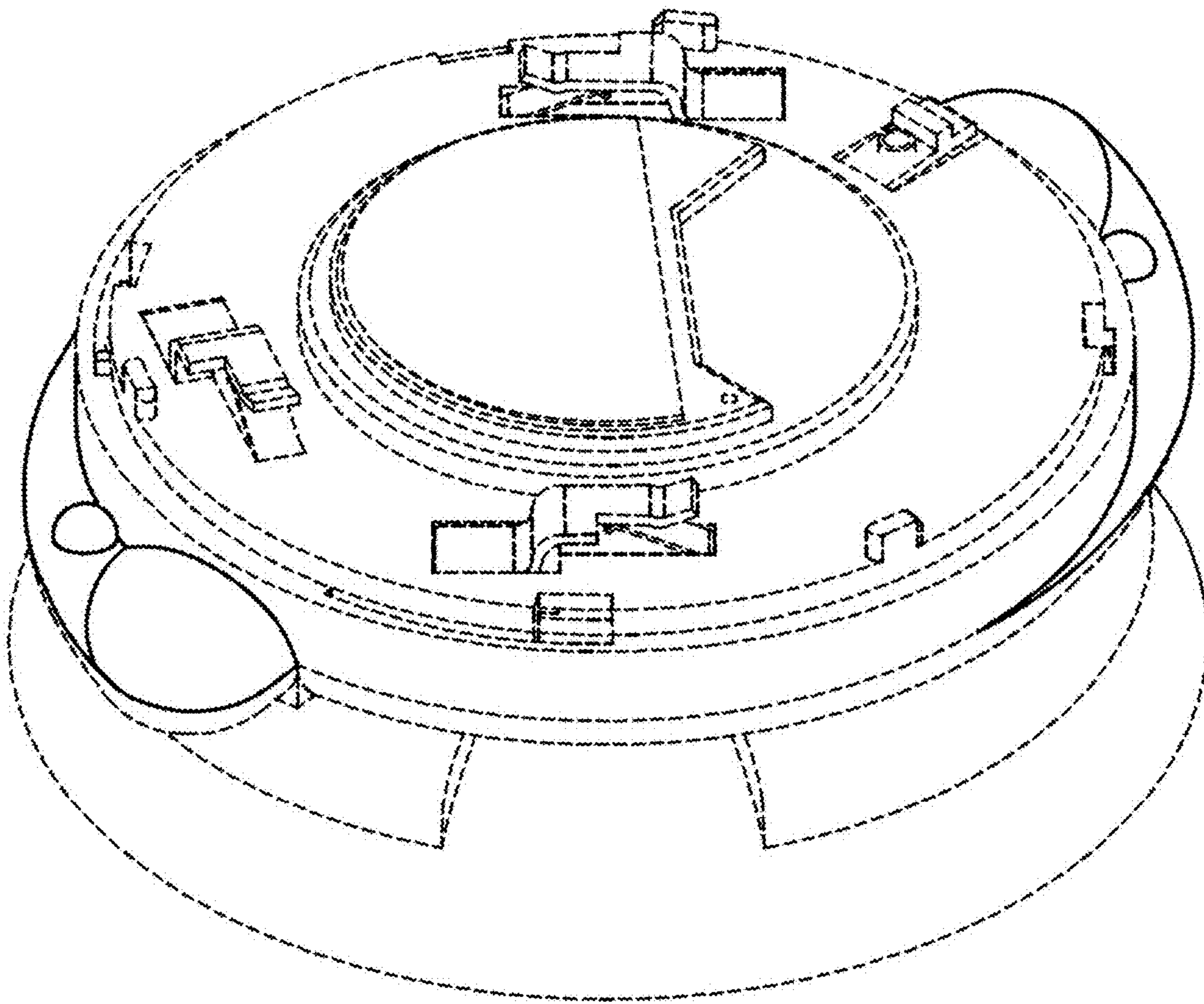
1.5



1.6



1.7





1.8

