

US00D814326S

(12) **United States Design Patent**
Puscasu et al.

(10) **Patent No.:** **US D814,326 S**

(45) **Date of Patent:** **** Apr. 3, 2018**

(54) **SIGNAL DEVICE**

(71) Applicant: **FLIR Surveillance, Inc.**, Wilsonville,
OR (US)

(72) Inventors: **Irina Puscasu**, Winchester, MA (US);
Carlos Santos, Dracut, MA (US)

(73) Assignee: **FLIR Surveillance, Inc.**, Wilsonville,
OR (US)

(**) Term: **15 Years**

(21) Appl. No.: **29/531,993**

(22) Filed: **Jun. 30, 2015**

(51) **LOC (11) Cl.** **10-05**

(52) **U.S. Cl.**
USPC **D10/104.1**

(58) **Field of Classification Search**
USPC D10/104.1, 109.1, 114.1, 114.2; D26/28,
D26/37
CPC B64D 47/04
See application file for complete search history.

(56) **References Cited**

U.S. PATENT DOCUMENTS

D371,857 S * 7/1996 Gismondi D26/37
D384,589 S * 10/1997 Loach D10/114.2

D643,765 S * 8/2011 Huang D10/114.2
D680,893 S * 4/2013 Adams D10/114.1
D780,350 S * 2/2017 Dennis D26/28
D794,485 S * 8/2017 Boisse D10/114.2
2011/0043120 A1* 2/2011 Panagotacos B64D 47/04
315/224

* cited by examiner

Primary Examiner — George D. Kirschbaum

(74) *Attorney, Agent, or Firm* — Wolf, Greenfield &
Sacks, P.C.

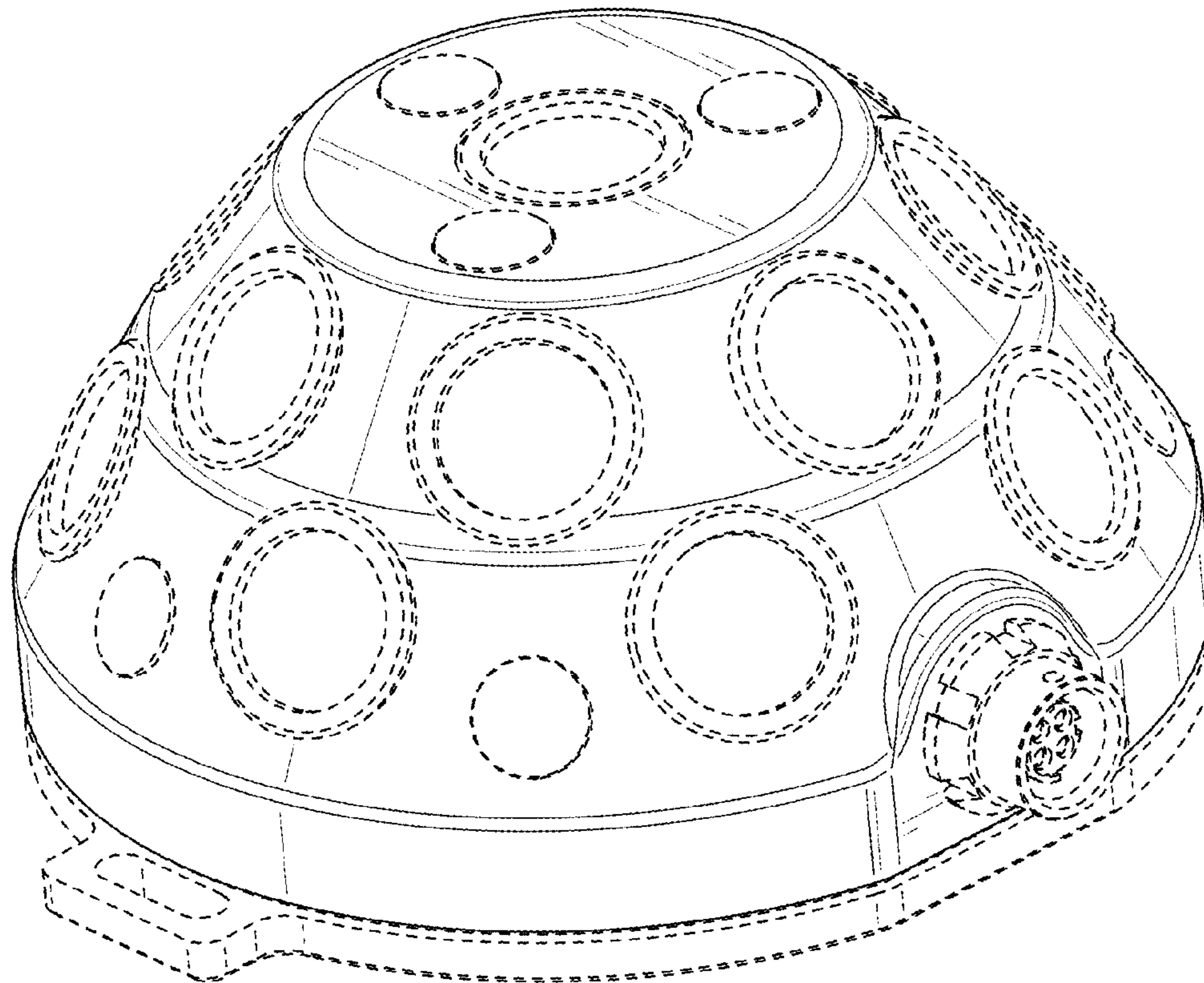
(57) **CLAIM**

The ornamental design for a signal device, as shown and
described.

DESCRIPTION

FIG. 1 is a side, top perspective view of a signal device
showing our new design;
FIG. 2, is a front elevational view thereof;
FIG. 3 is a rear elevational view thereof;
FIG. 4 is a left side elevational view thereof;
FIG. 5 is a right side elevational thereof;
FIG. 6 is a top elevation view thereof; and,
FIG. 7 is a bottom elevation view thereof.
The elements shown in phantom form no part of the claim
design.

1 Claim, 7 Drawing Sheets



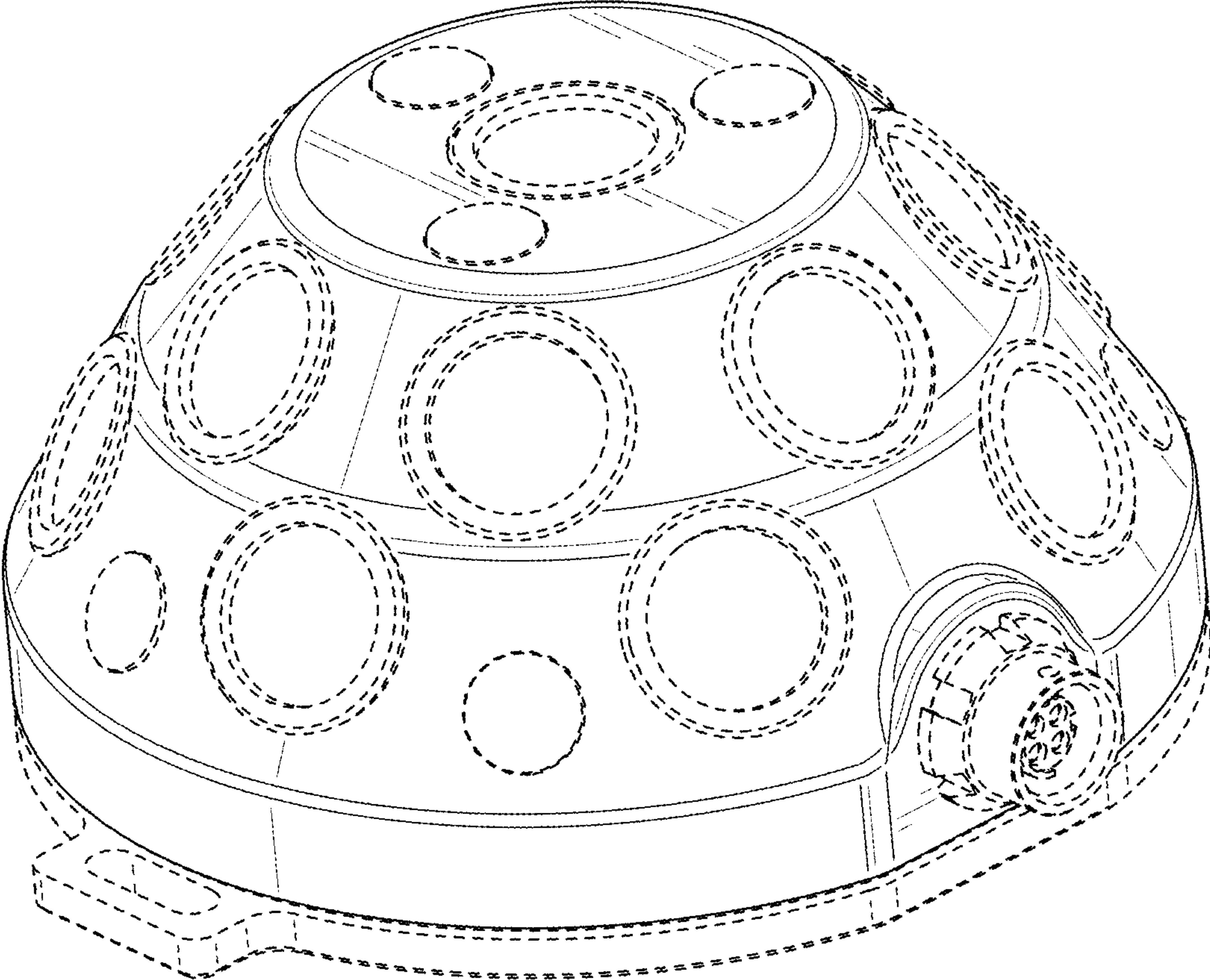


FIG. 1

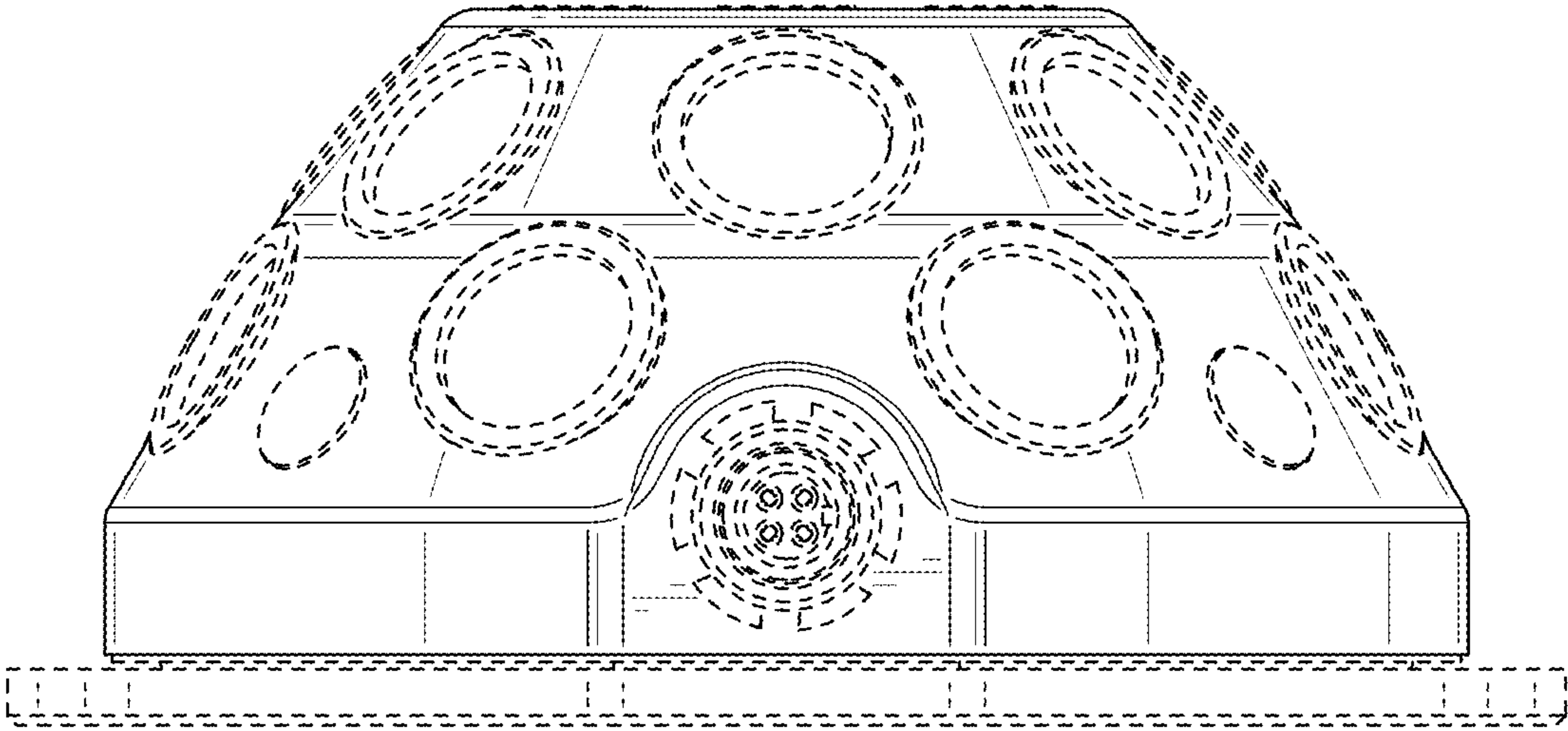


FIG. 2

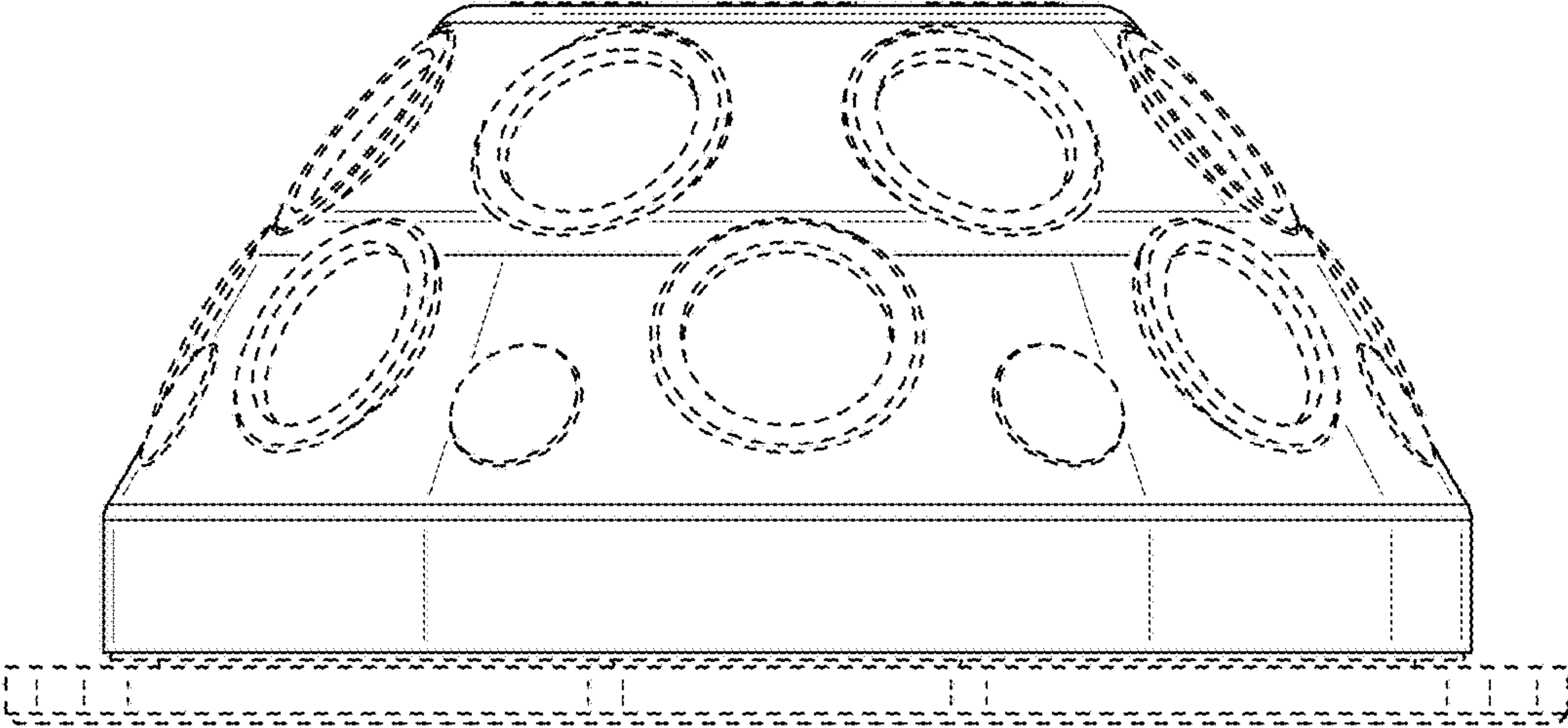


FIG. 3

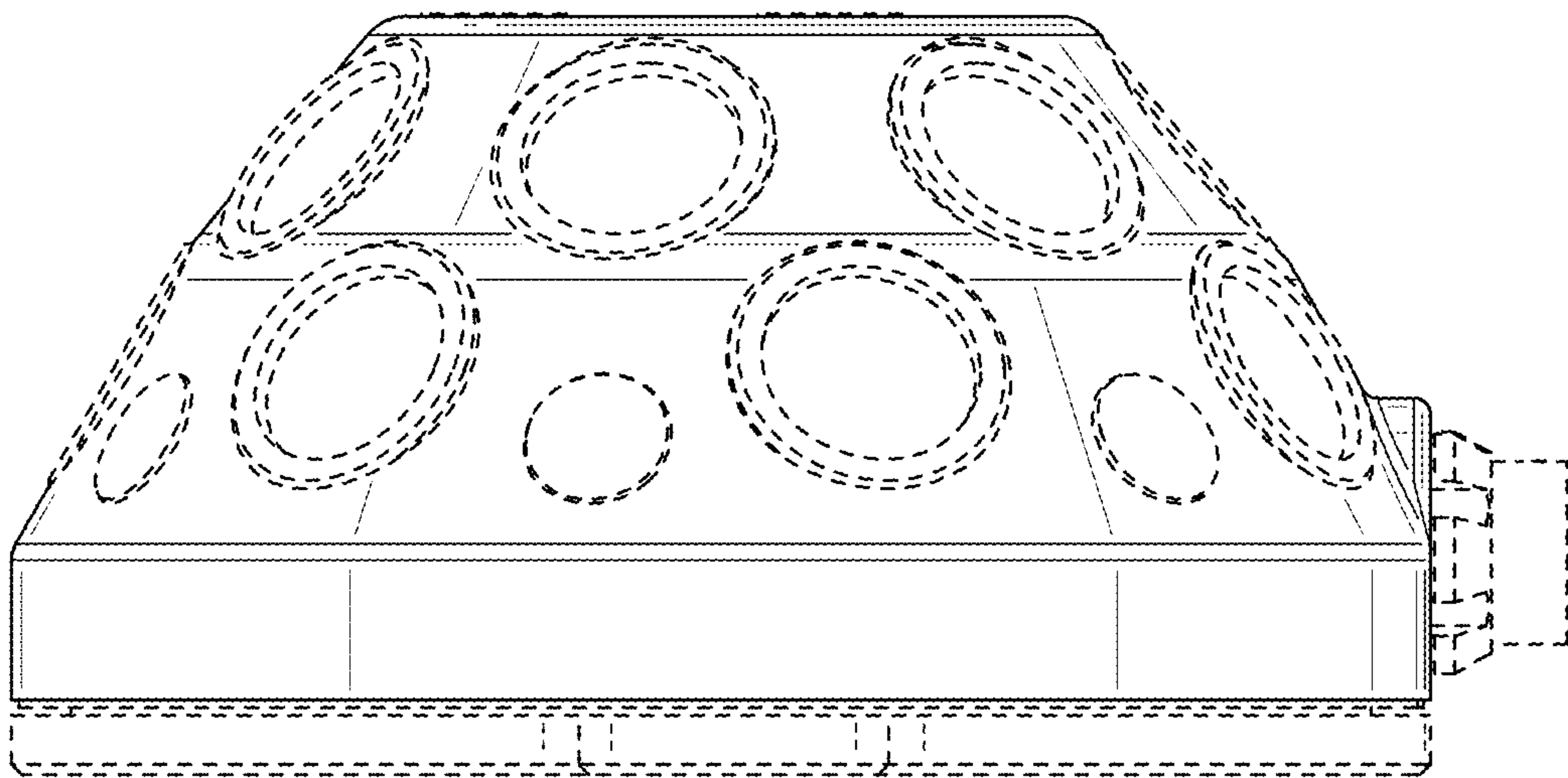


FIG. 4

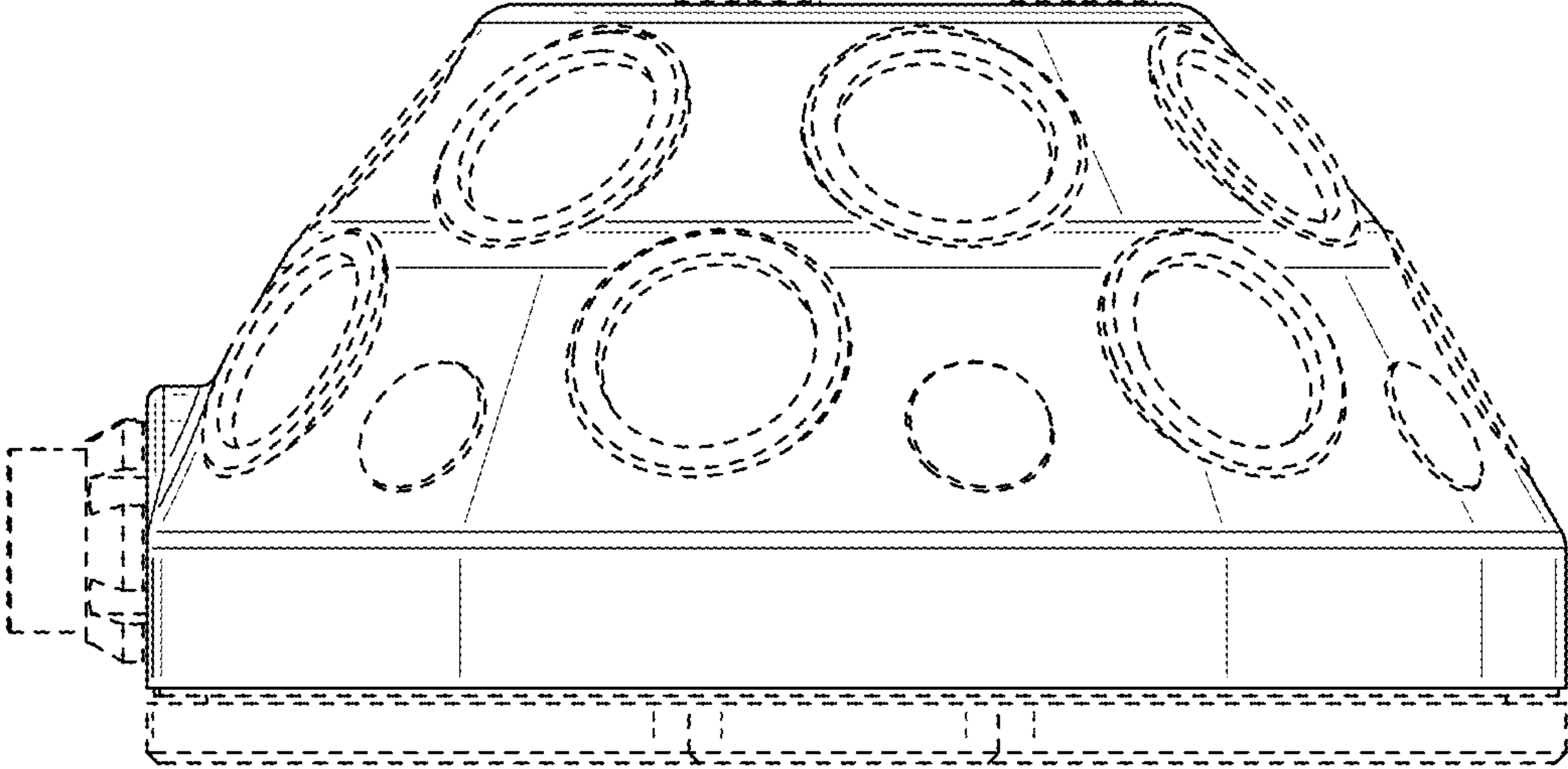


FIG. 5

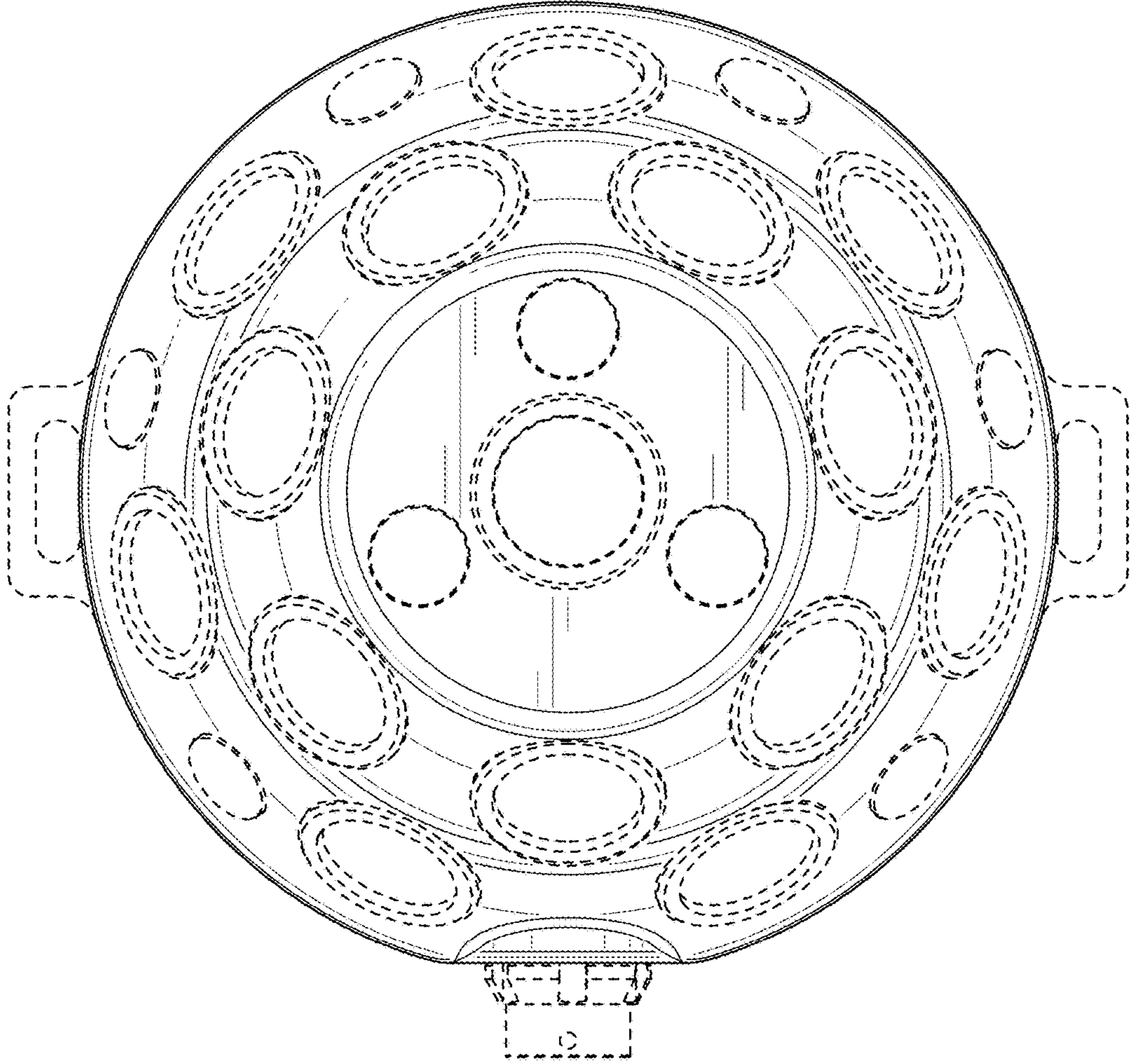


FIG. 6

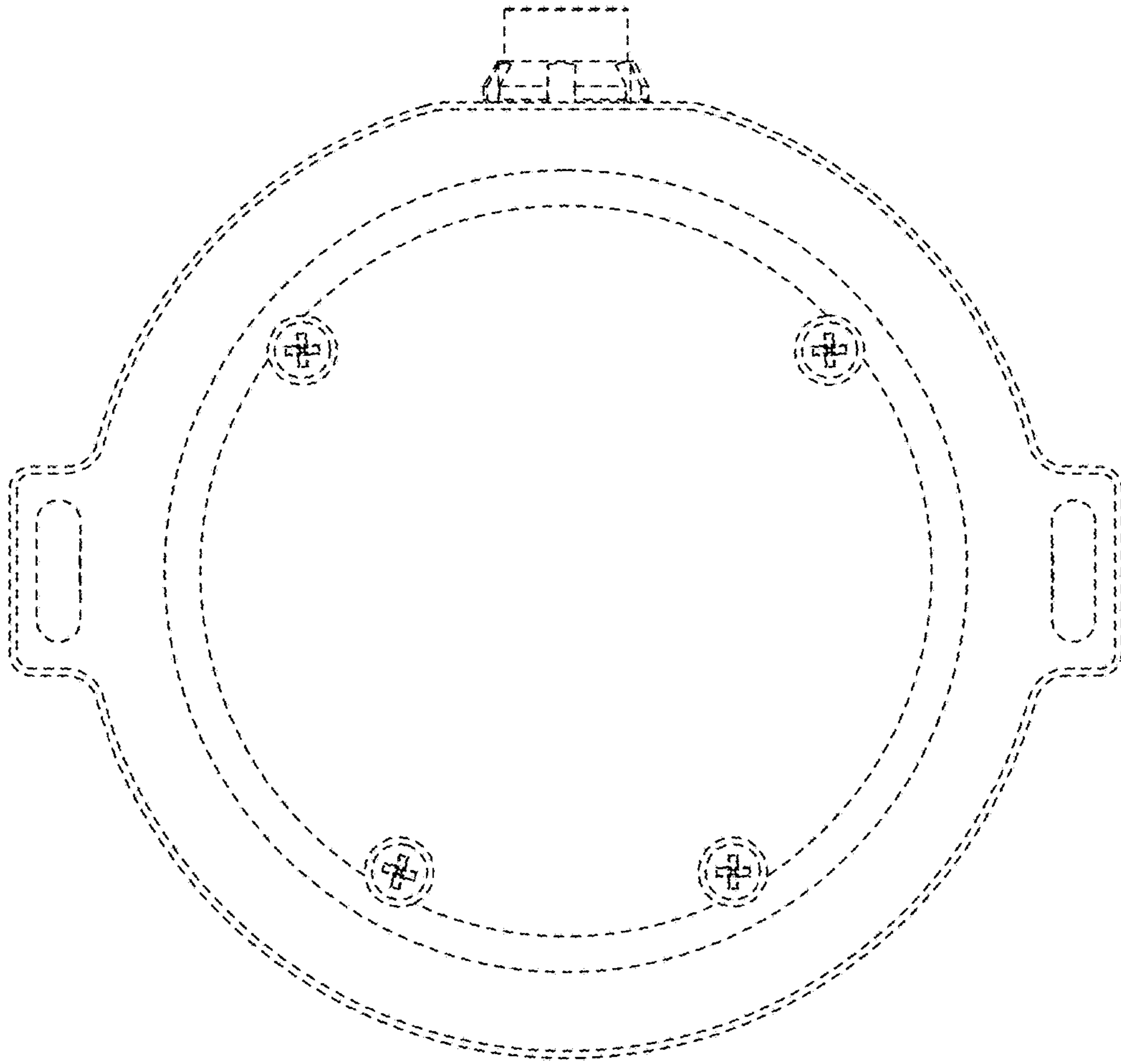


FIG. 7