

US00D814325S

(12) **United States Design Patent**
Little, III et al.

(10) **Patent No.:** **US D814,325 S**

(45) **Date of Patent:** **** Apr. 3, 2018**

(54) **FLOW CELL**

(71) Applicant: **JP3 Measurement, LLC**, Austin, TX
(US)

(72) Inventors: **Joseph Paul Little, III**, Austin, TX
(US); **William Tsakopoulos**, Austin, TX
(US)

(73) Assignee: **JP3 Measurement, LLC**, Austin, TX
(US)

(**) Term: **15 Years**

(21) Appl. No.: **29/562,317**

(22) Filed: **Apr. 25, 2016**

(51) **LOC (11) Cl.** **10-04**

(52) **U.S. Cl.**
USPC **D10/96**

(58) **Field of Classification Search**
USPC D10/46, 96
CPC G01N 21/85; G01N 21/8507; G01N
2021/855; G01N 33/28; G01N 33/2835;
G01N 33/2841; G01N 33/2847; G01N
21/01; G01N 2021/0112; G01N
2021/0118; G01N 2021/0193; G01N
21/03; G01N 2021/0378; G01N 21/05;
G01N 2021/052

See application file for complete search history.

(56) **References Cited**

U.S. PATENT DOCUMENTS

D665,287 S * 8/2012 Fukano D10/96
D800,590 S * 10/2017 Kuppi D10/96

* cited by examiner

Primary Examiner — Antoine Duval Davis

(74) *Attorney, Agent, or Firm* — Dubois, Bryant &
Campbell, LLP; William D. Wiese

(57) **CLAIM**

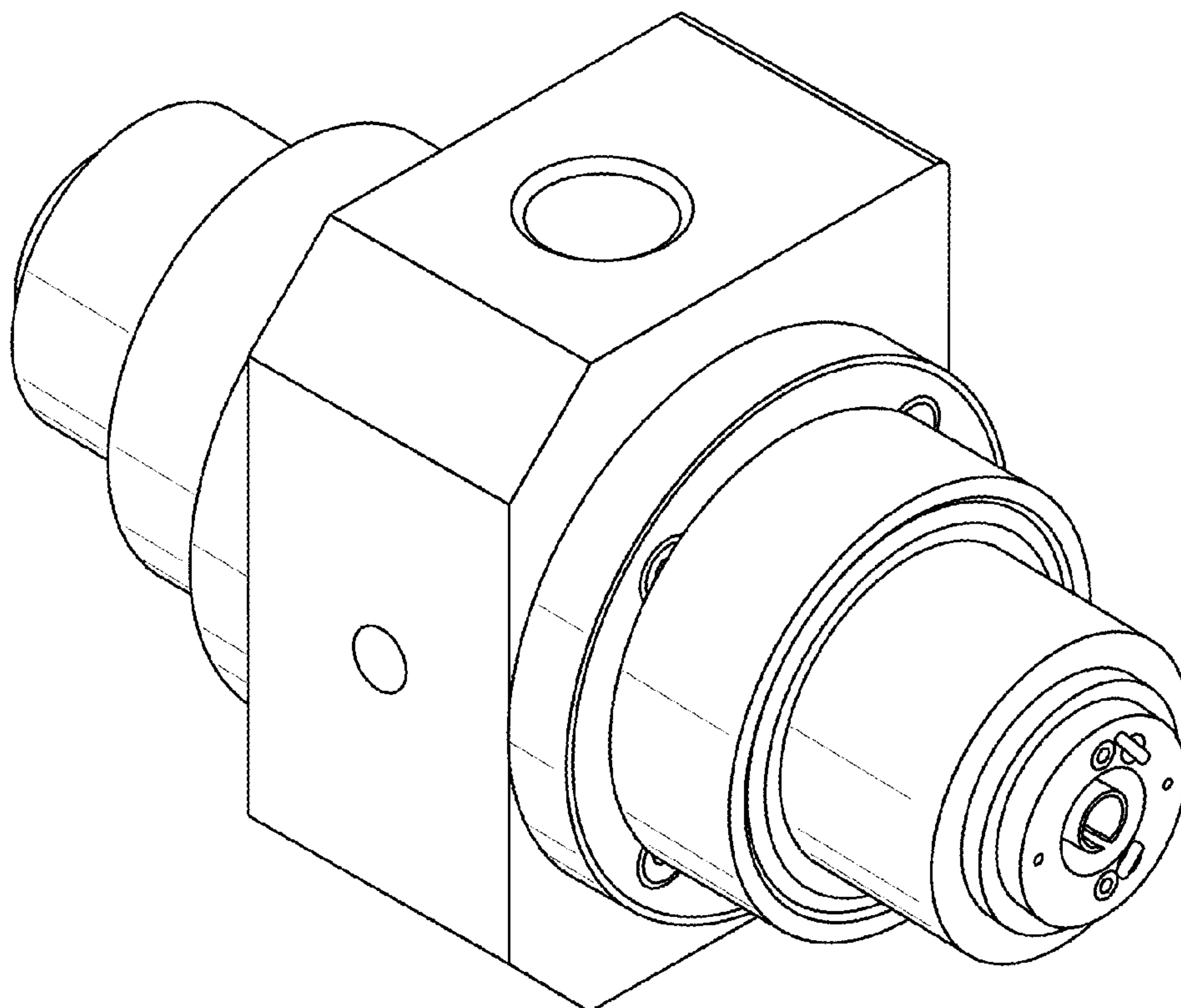
The ornamental design for a flow cell, as shown and
described.

DESCRIPTION

FIG. 1 is a left view of the flow cell of the present invention;
FIG. 2 is a front view thereof;
FIG. 3 is a right view thereof;
FIG. 4 is a top view thereof; and,
FIG. 5 is an isometric view thereof.

The optical flow cell of the present invention is installed in
an oil and gas infrastructure, such as a pipeline, and provides
an in-line measurement of hydrocarbon composition, API
gravity, vapor pressure, BTU and other properties of natural
gas, natural gas, condensate and crude oil in the infrastruc-
ture. The optical flow cell is installed directly in a flow
stream at operating pressure and temperature.

1 Claim, 5 Drawing Sheets



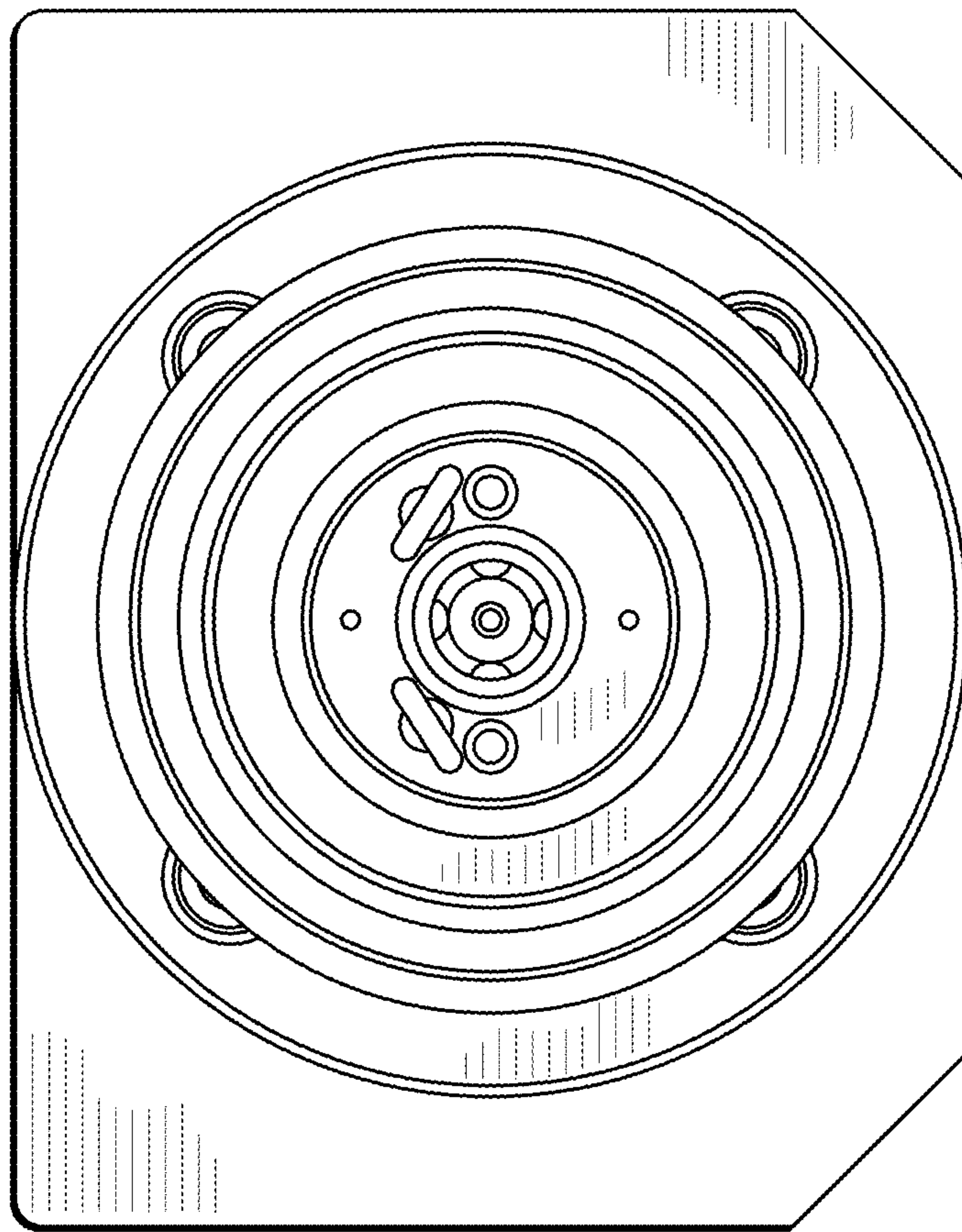


FIG. 1

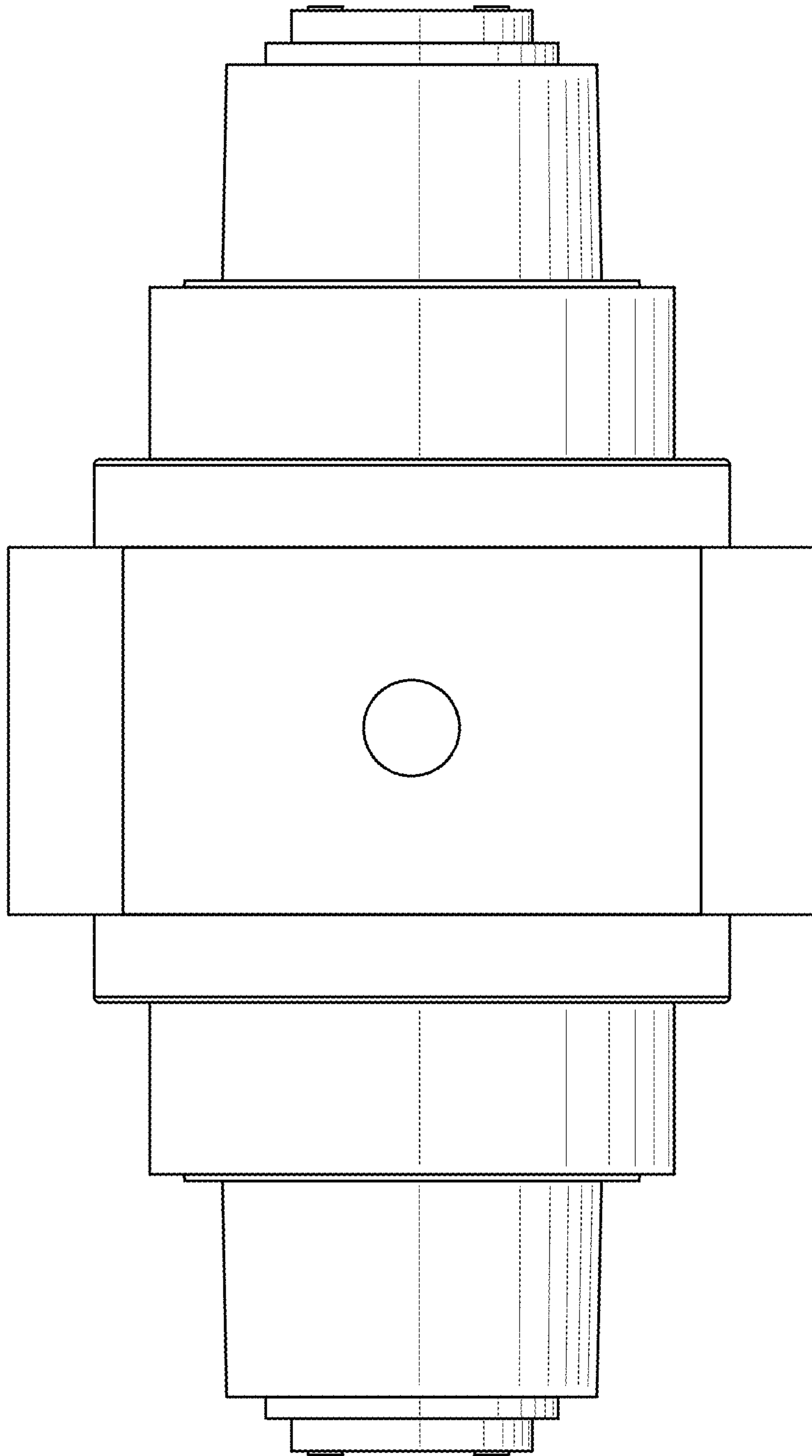


FIG. 2

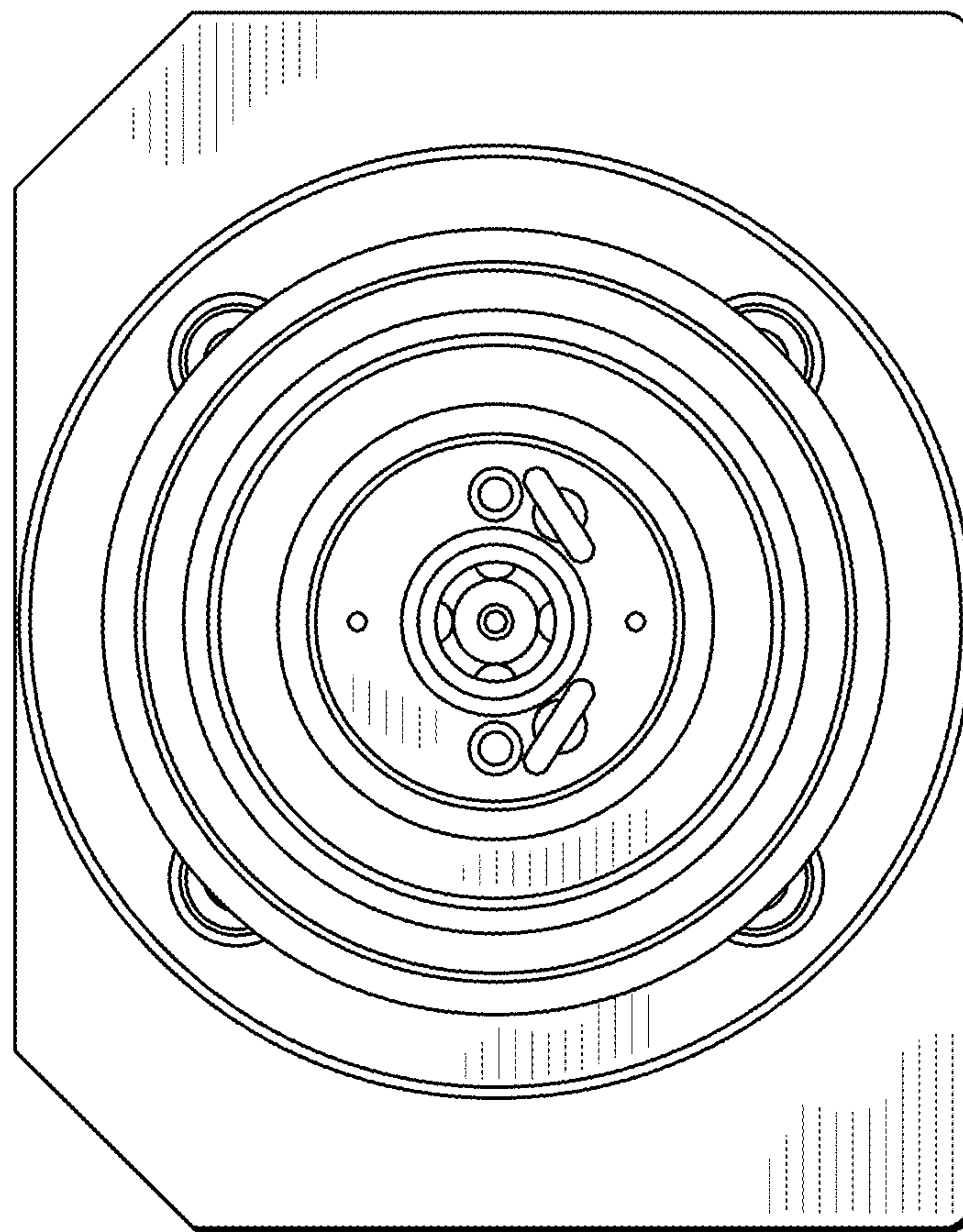


FIG. 3

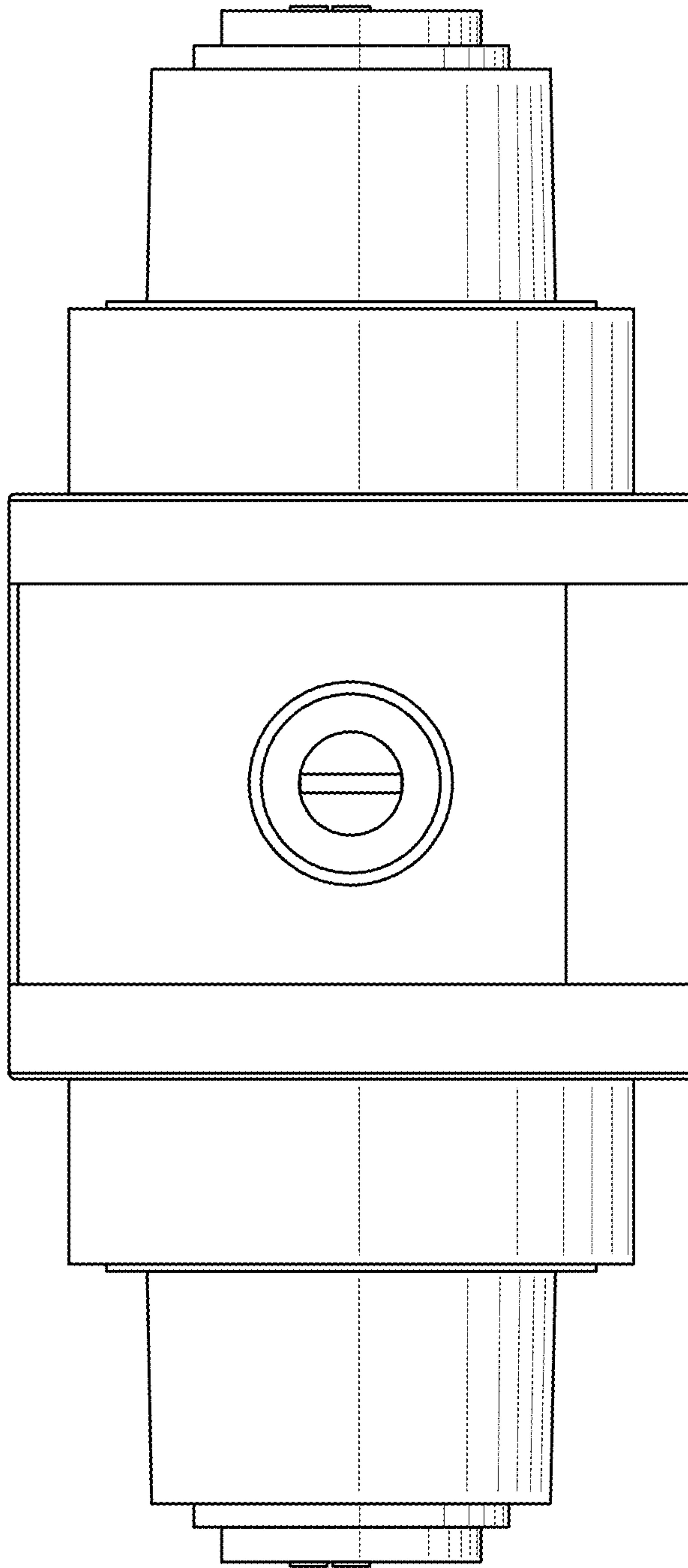


FIG. 4

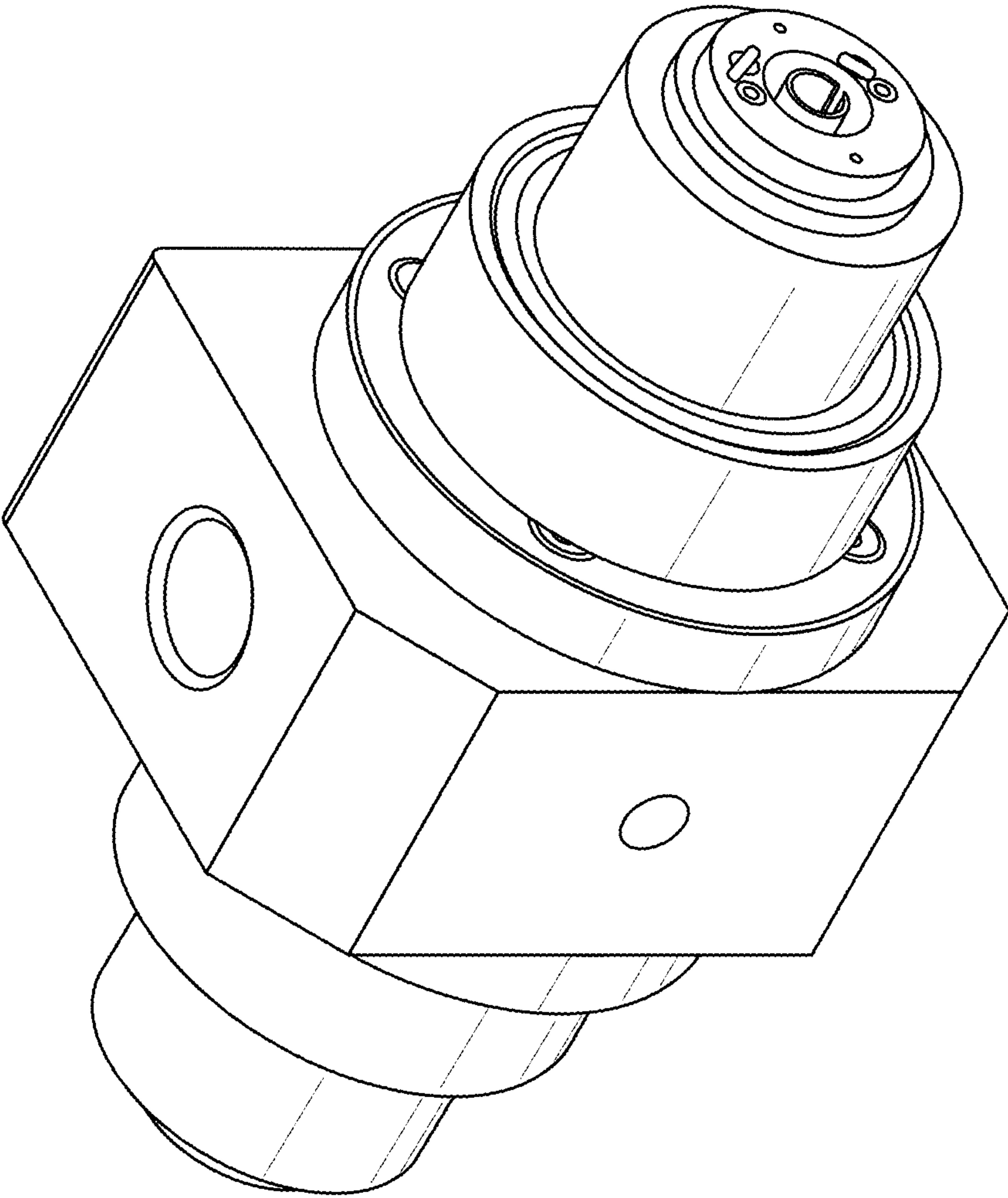


FIG. 5