



US00D814323S

(12) **United States Design Patent** (10) **Patent No.:** **US D814,323 S**
Bedingham (45) **Date of Patent:** **** Apr. 3, 2018**

(54) **WIRELESS SENSOR DEVICE**
(71) Applicant: **3M INNOVATIVE PROPERTIES COMPANY**, St. Paul, MN (US)
(72) Inventor: **William Bedingham**, Woodbury, MN (US)
(73) Assignee: **3M Innovative Properties Company**, St. Paul, MN (US)
(**) Term: **15 Years**
(21) Appl. No.: **29/584,191**
(22) Filed: **Nov. 11, 2016**
(51) **LOC (11) Cl.** **10-04**
(52) **U.S. Cl.**
USPC **D10/70; D24/168; D24/187**
(58) **Field of Classification Search**
USPC D10/70, 78, 97, 98; D14/341, 344, 347; D24/167, 168, 187, 186
CPC ... A61B 5/0002; A61B 5/0004; A61B 5/0006; A61B 5/0024; A61B 5/0404; A61B 5/1112; A61B 5/021; A61B 5/02438; A61B 5/0476; A61B 5/0488; A61B 2560/0266; A61B 2560/0271; A61B 2560/04; A61B 2560/0406; A61B 2560/0412; A61B 2560/0418; A61B 2560/0425; A61B 2560/0431; G06F 19/3418
See application file for complete search history.

D717,680 S * 11/2014 Park D10/70
D733,596 S * 7/2015 Goodner D10/70
9,183,719 B2 * 11/2015 Gouge A61B 5/01
D749,570 S * 2/2016 Lee D14/344
D761,138 S * 7/2016 Manabe D10/65
D778,185 S * 2/2017 Ookawa D10/70
D790,996 S * 7/2017 Farley D10/70

OTHER PUBLICATIONS

Life Sync 2.1 System User's Manual, LifeSync Corporation, 2013, 69 pages.

* cited by examiner

Primary Examiner — Antoine Duval Davis

(57) **CLAIM**

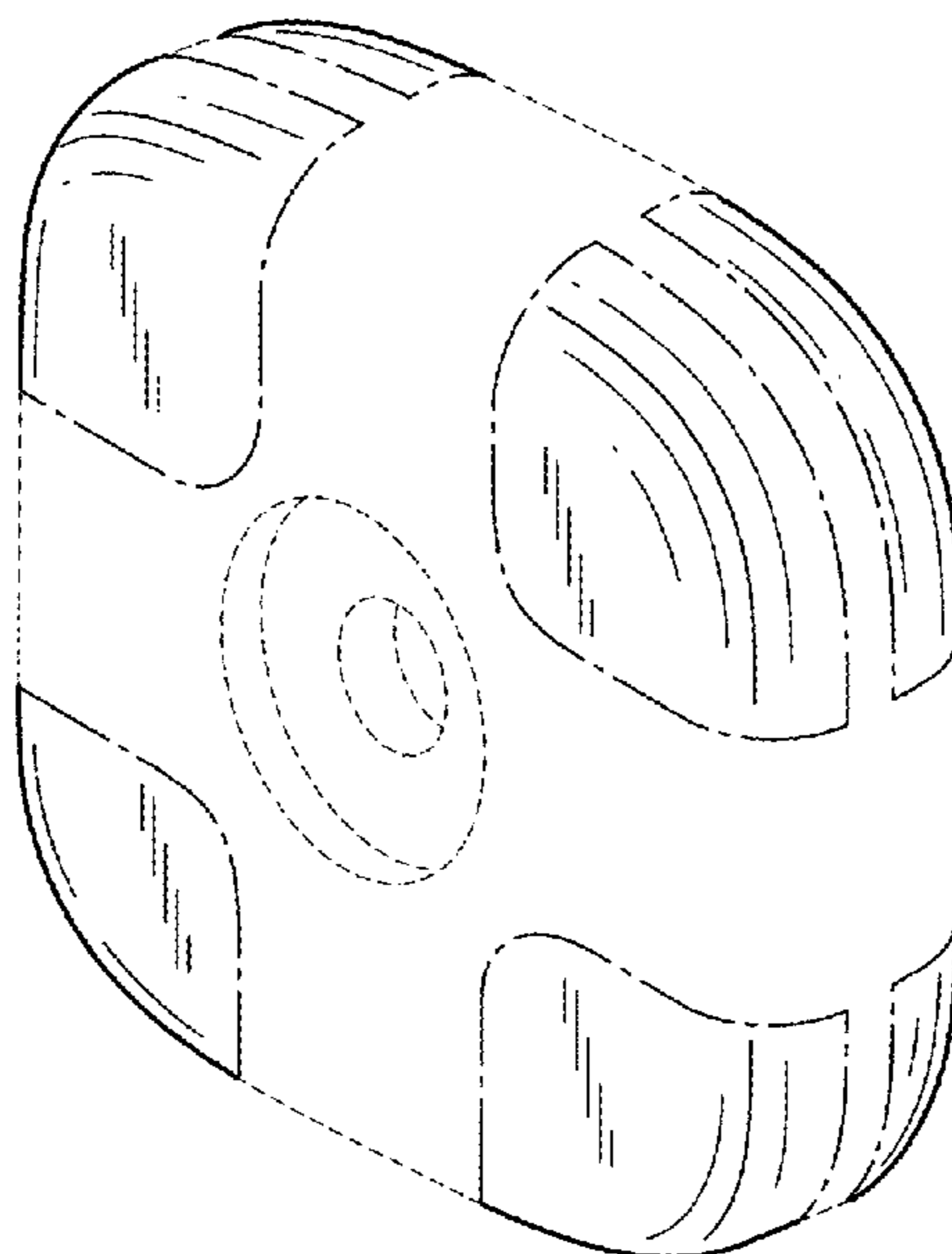
The ornamental design for a wireless sensor device, as shown and described.

DESCRIPTION

FIG. 1 is a perspective view of a new design for a wireless sensor device.
FIG. 2 is a top plan view thereof;
FIG. 3 is a bottom plan view thereof;
FIG. 4 is a left elevation view thereof;
FIG. 5 is a right elevation view thereof; and,
FIG. 6 is an end view, the opposite end being a mirror image thereof.
The portions of the wireless sensor device in FIGS. 1-6 shown in broken lines are included to show features that form no part of the claimed design.

1 Claim, 2 Drawing Sheets

(56) **References Cited**
U.S. PATENT DOCUMENTS
D693,248 S * 11/2013 Anderssen D10/65
D715,667 S * 10/2014 Shigeno D10/70



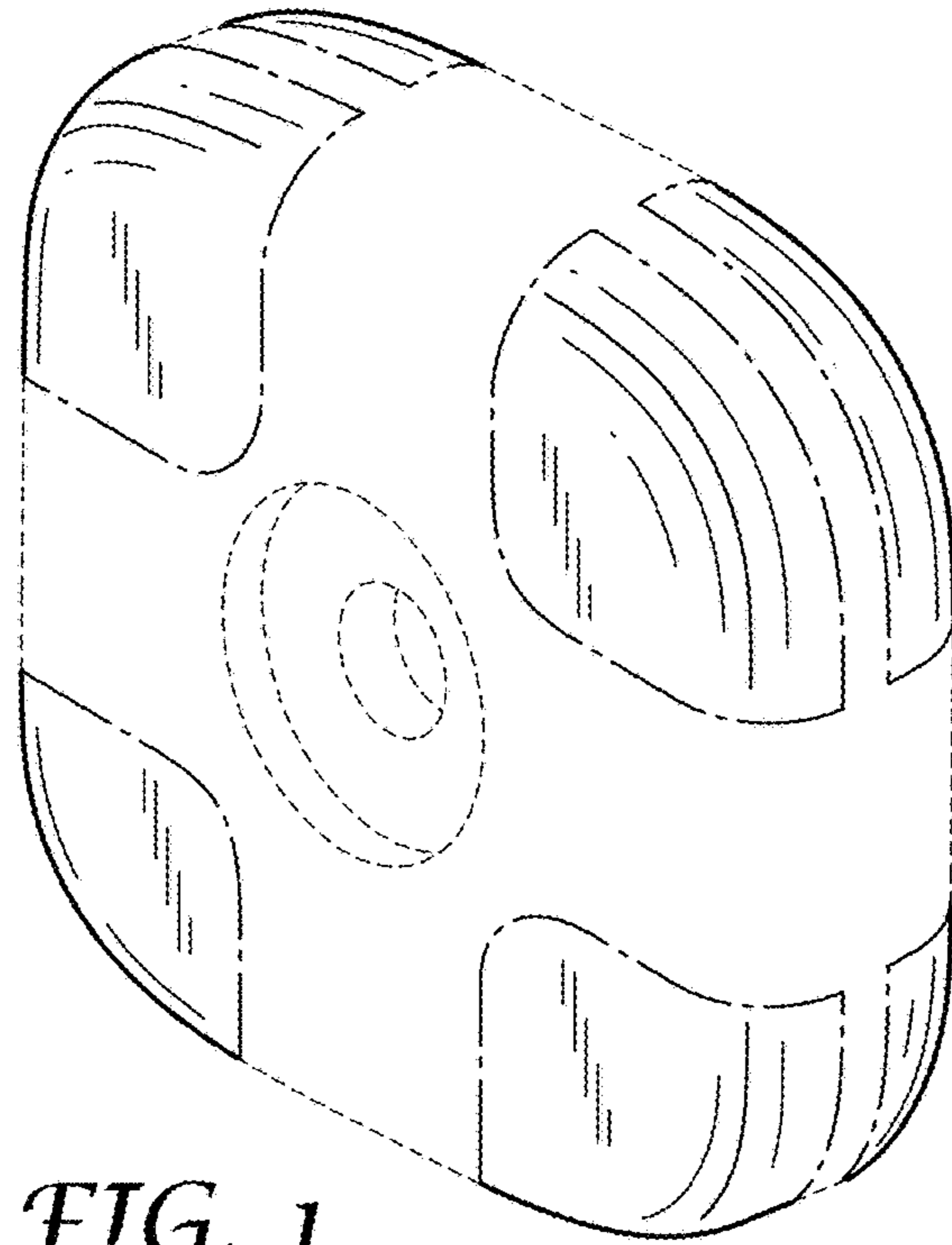


FIG. 1

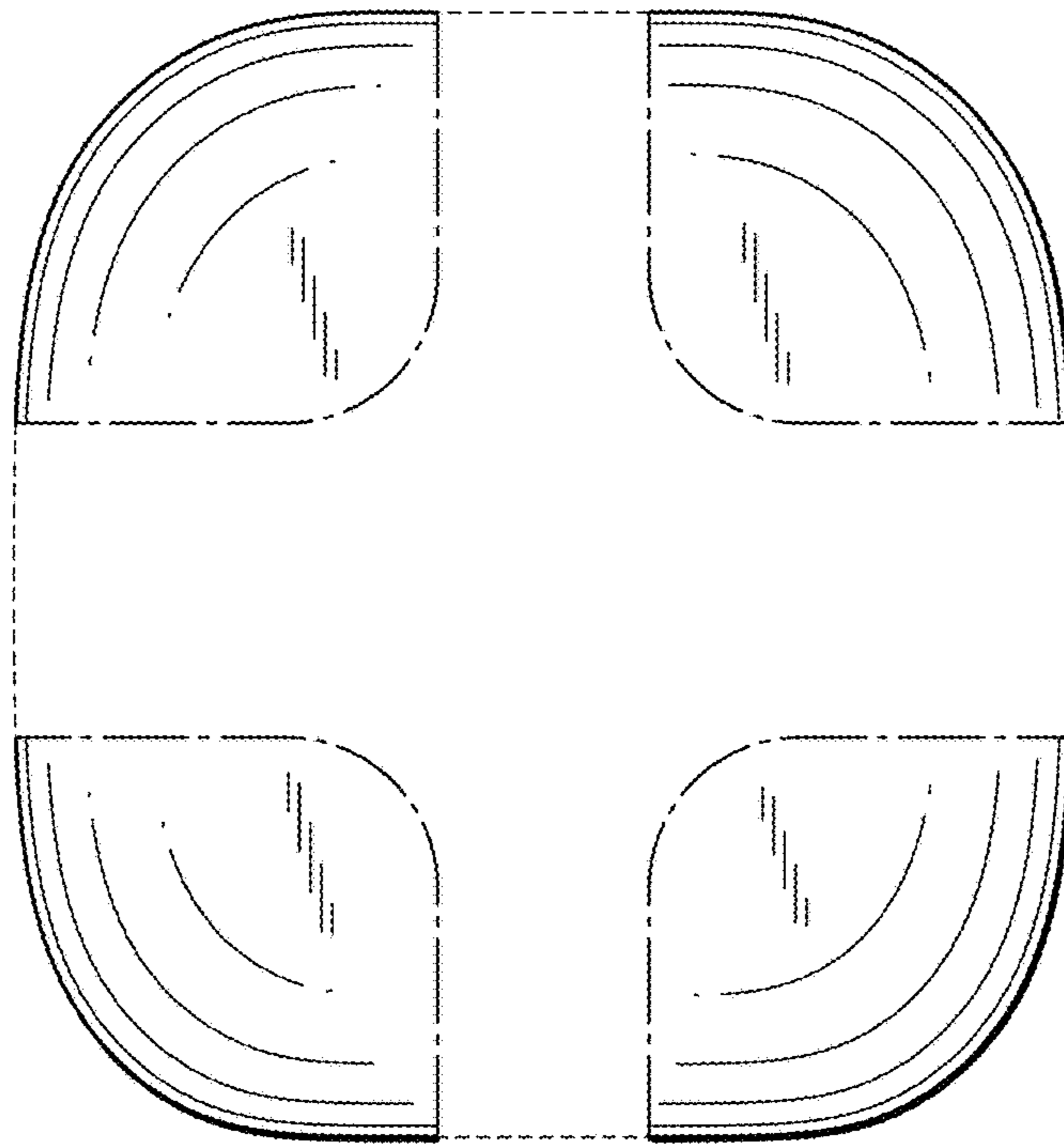


FIG. 2

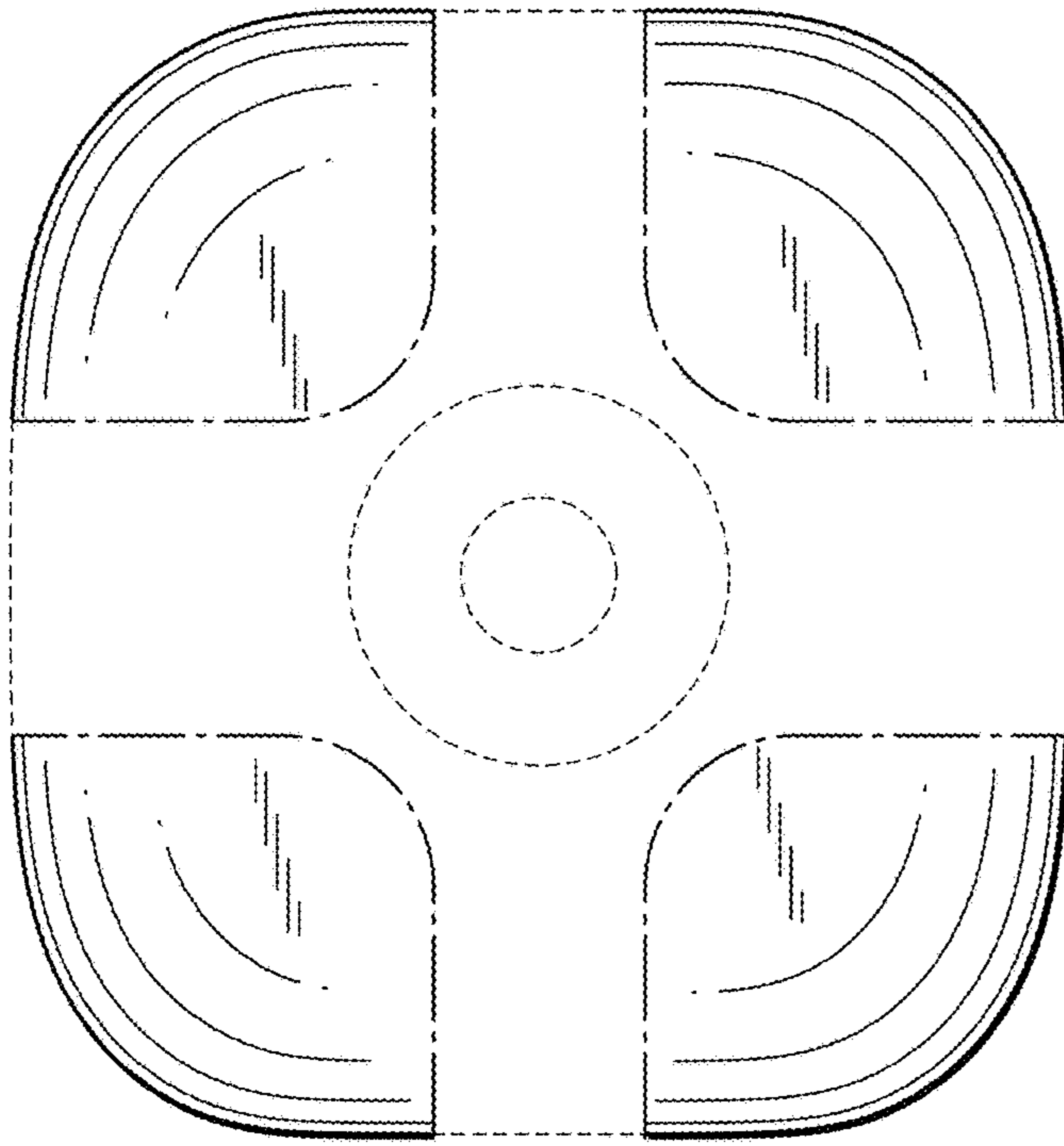


FIG. 3

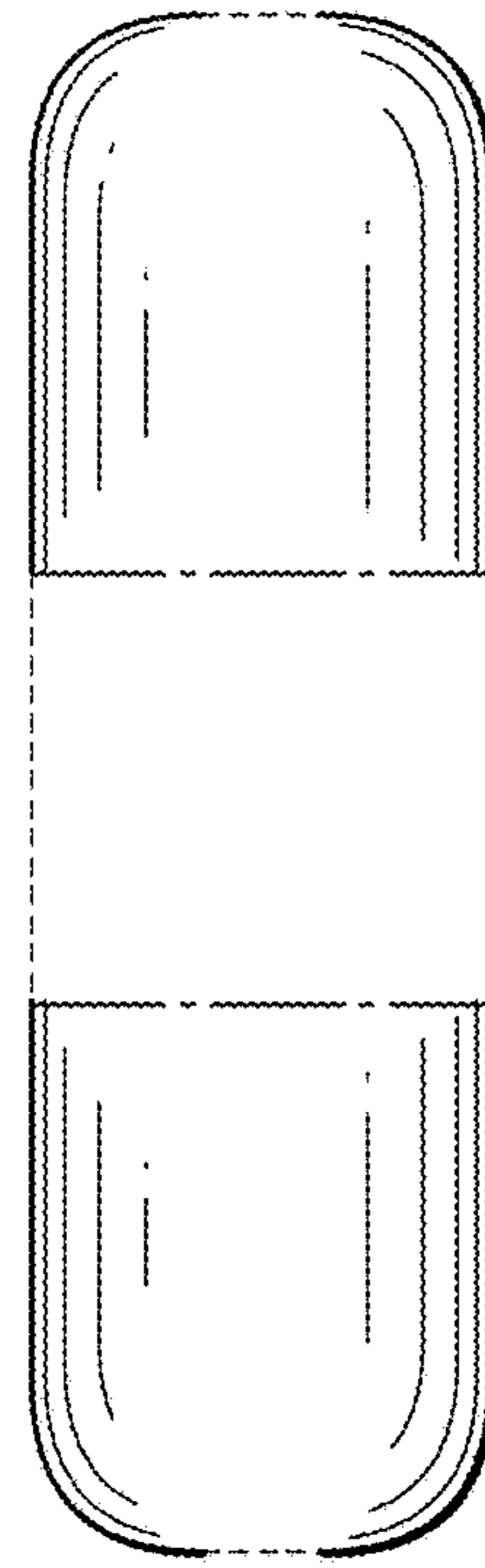


FIG. 4

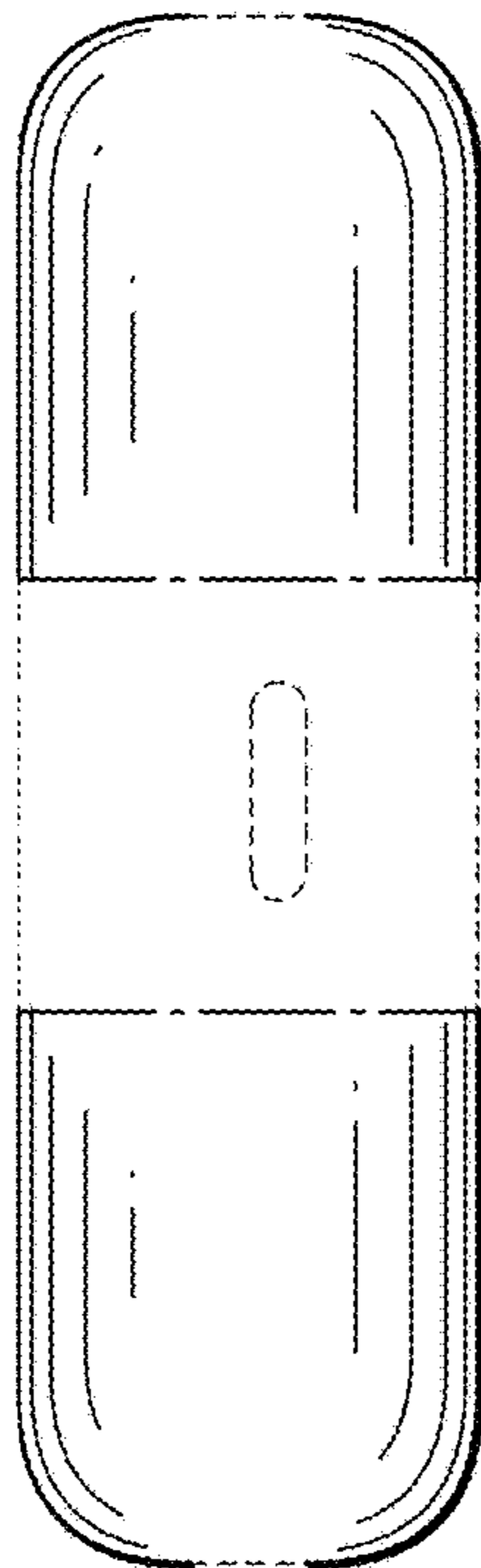


FIG. 5

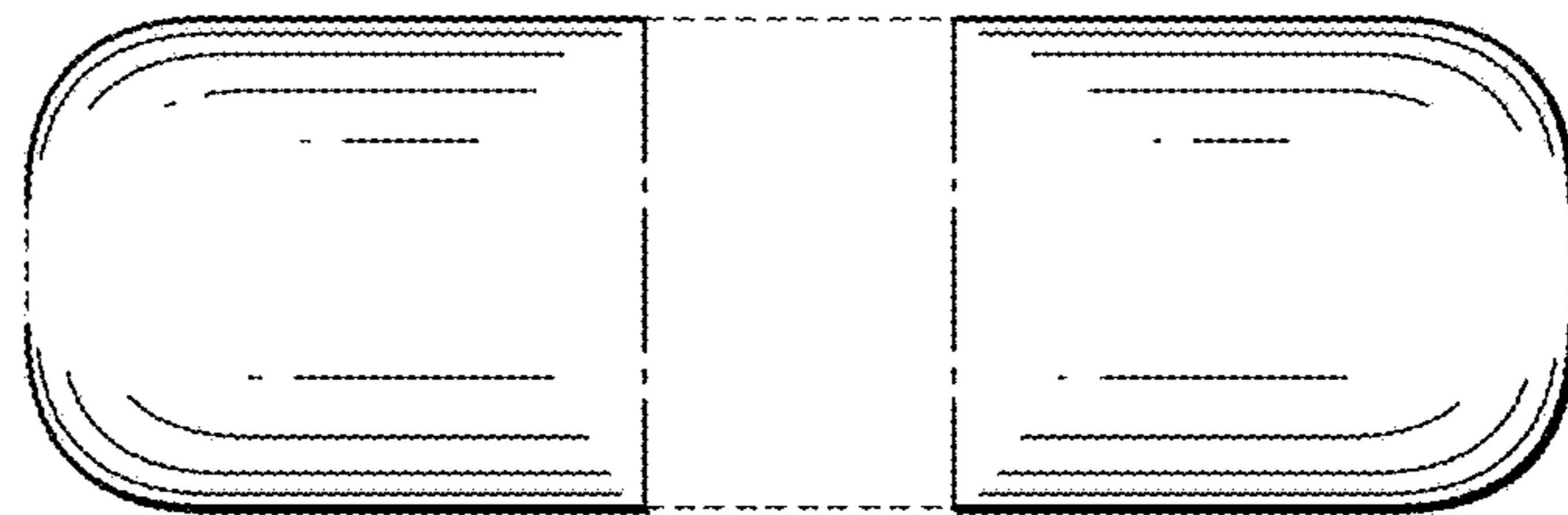


FIG. 6