



US00D814322S

(12) **United States Design Patent**
Pepper

(10) **Patent No.:** **US D814,322 S**

(45) **Date of Patent:** **** Apr. 3, 2018**

(54) **ROOFING TOOL**

(71) Applicant: **Sean Roger Michael Pepper,**
Mandurah (AU)

(72) Inventor: **Sean Roger Michael Pepper,**
Mandurah (AU)

(**) Term: **15 Years**

(21) Appl. No.: **29/587,101**

(22) Filed: **Dec. 9, 2016**

(51) **LOC (11) Cl.** **10-04**

(52) **U.S. Cl.**
USPC **D10/62; D10/65**

(58) **Field of Classification Search**
USPC D10/62, 64, 65, 71
CPC B43L 7/00; B43L 7/005; B43L 7/02; B43L
7/14; E04F 21/0076; E04F 21/26; B25H
7/00; B25H 7/04; B25H 7/045; Y10T
83/858; Y10T 83/863; Y10T 83/86; Y10T
83/856; Y10T 83/849; Y10T 83/7627;
Y10T 83/763

See application file for complete search history.

(56) **References Cited**

U.S. PATENT DOCUMENTS

3,089,245 A * 5/1963 Cromer B43L 7/005
33/27.03
D276,316 S * 11/1984 Weeks D10/62

D460,008 S * 7/2002 Cina D10/62
D460,924 S * 7/2002 Hitchcock D10/62
6,553,631 B1 * 4/2003 Douglas B25H 7/04
224/269

* cited by examiner

Primary Examiner — Antoine Duval Davis

(74) *Attorney, Agent, or Firm* — Sand & Sebolt

(57) **CLAIM**

The ornamental design for a roofing tool, as shown and described.

DESCRIPTION

FIG. 1 is a top perspective view of a roofing tool in accordance with my design;
FIG. 2 is a bottom perspective view thereof;
FIG. 3 is a top plan view thereof;
FIG. 4 is a bottom plan view thereof;
FIG. 5 is a first end elevation view thereof;
FIG. 6 is a second end elevation view thereof;
FIG. 7 is a first side elevation view thereof; and,
FIG. 8 is a second side elevation view thereof.
The broken lines illustrate portions of the roofing tool which form no part of the claimed design.

1 Claim, 8 Drawing Sheets

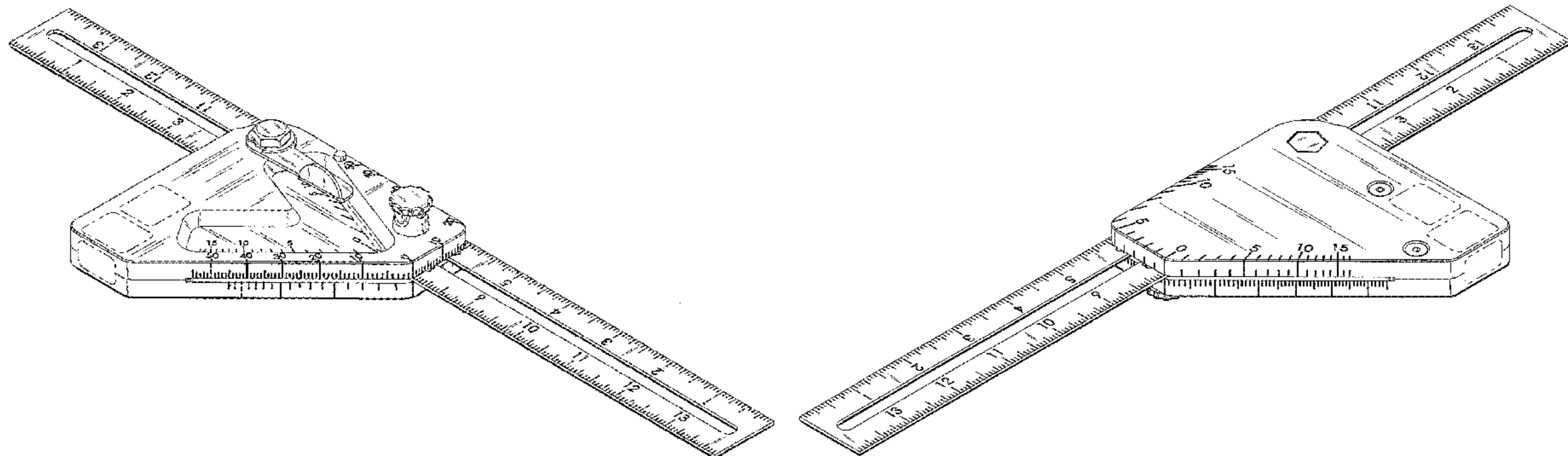
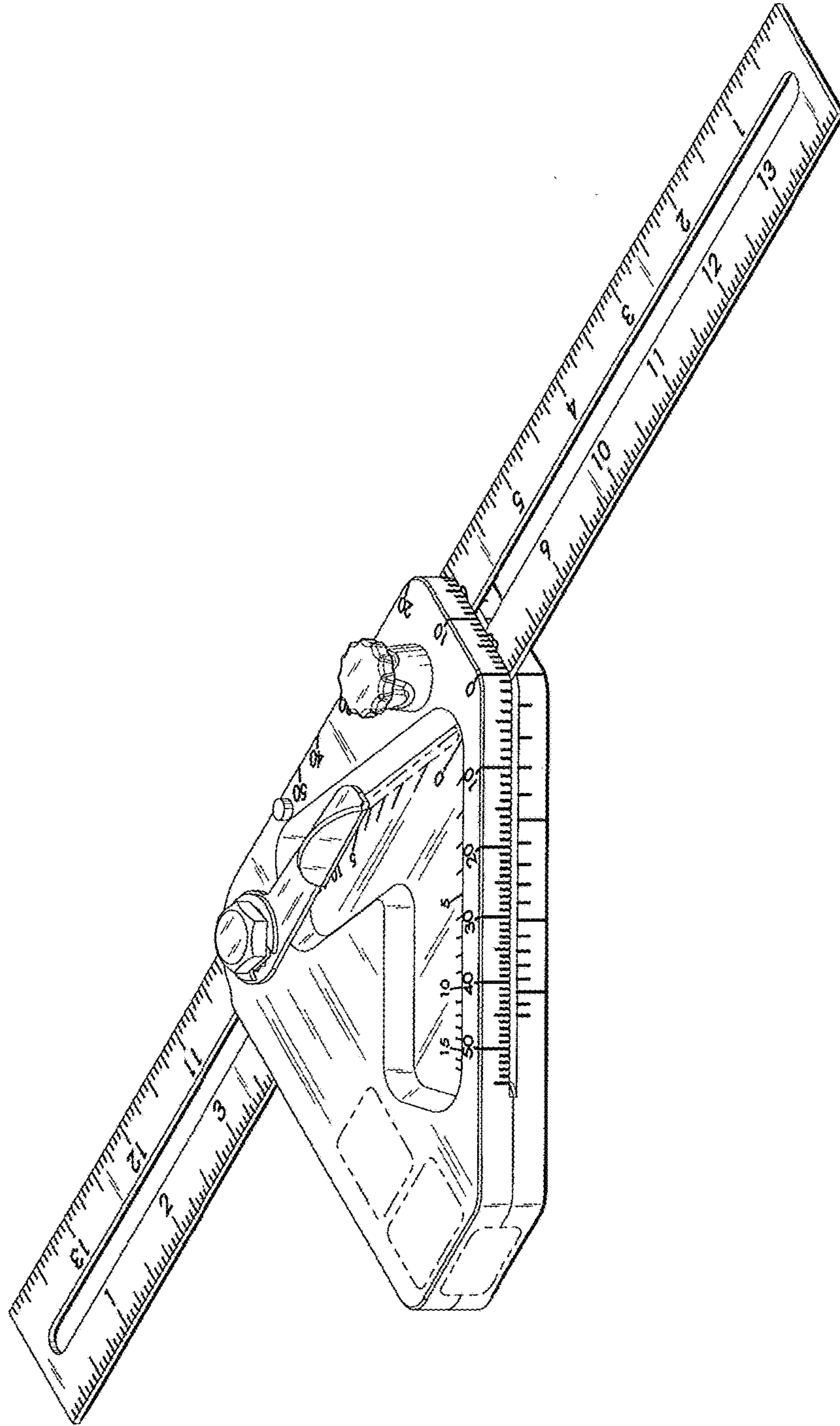


FIG. 1



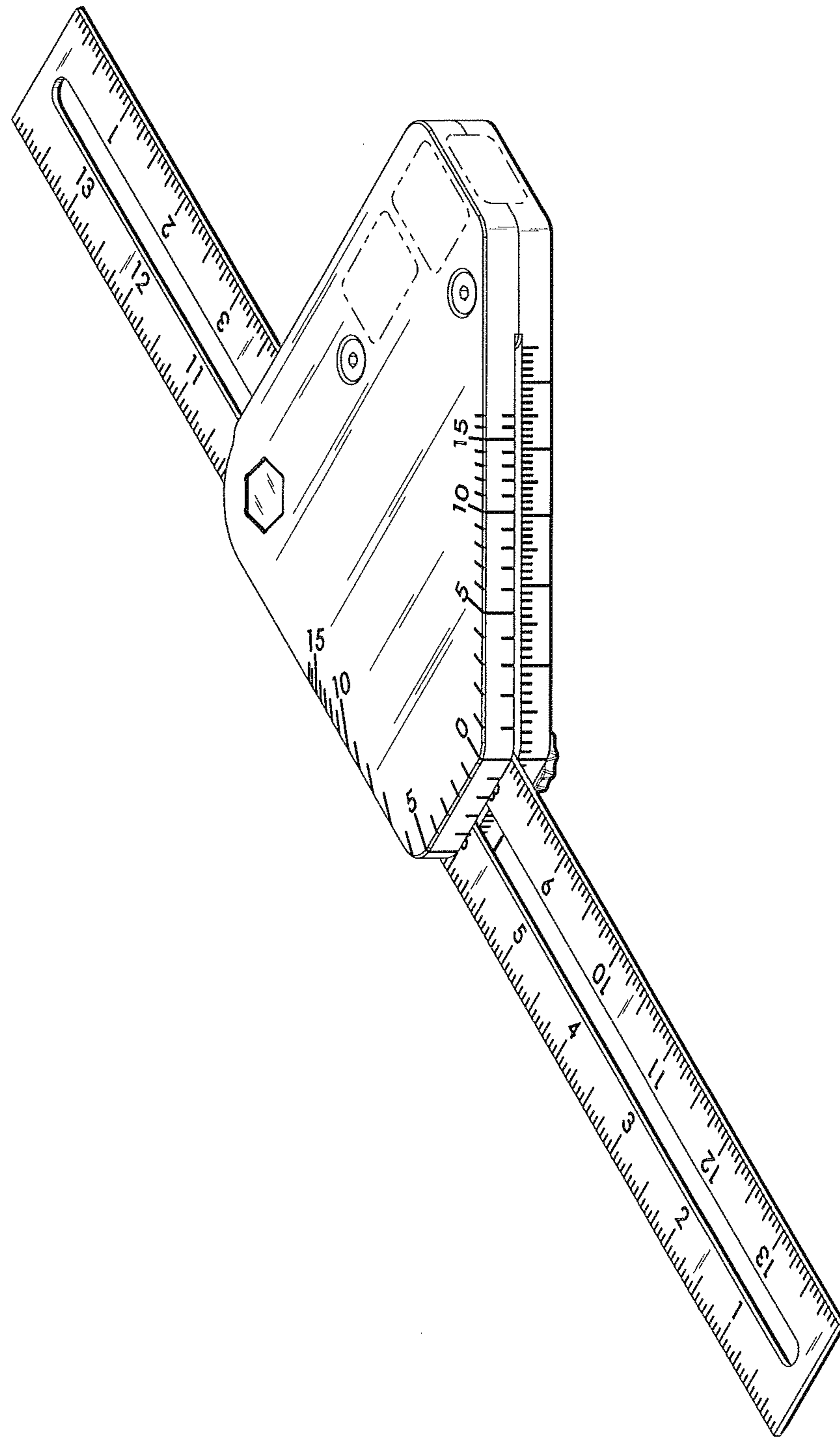


FIG. 2

FIG. 3

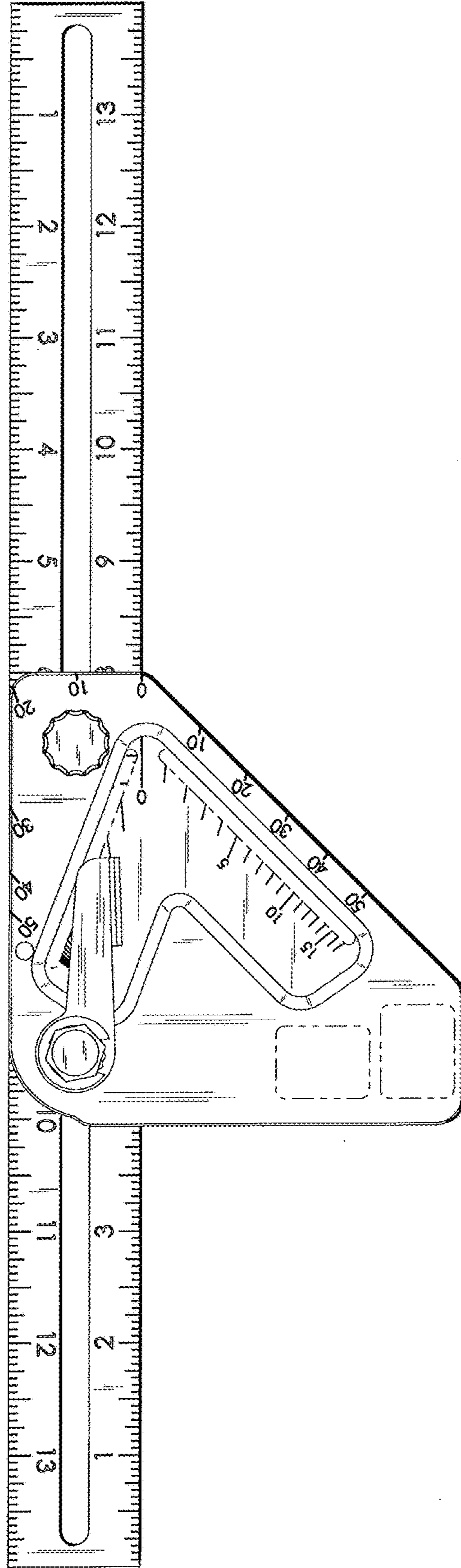
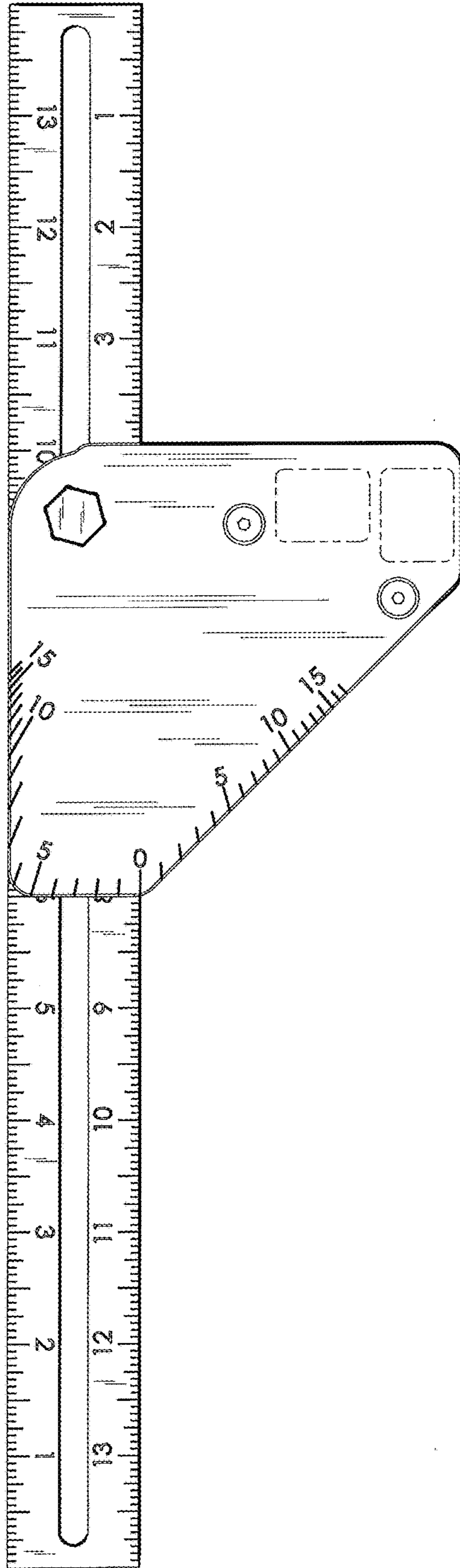


FIG. 4



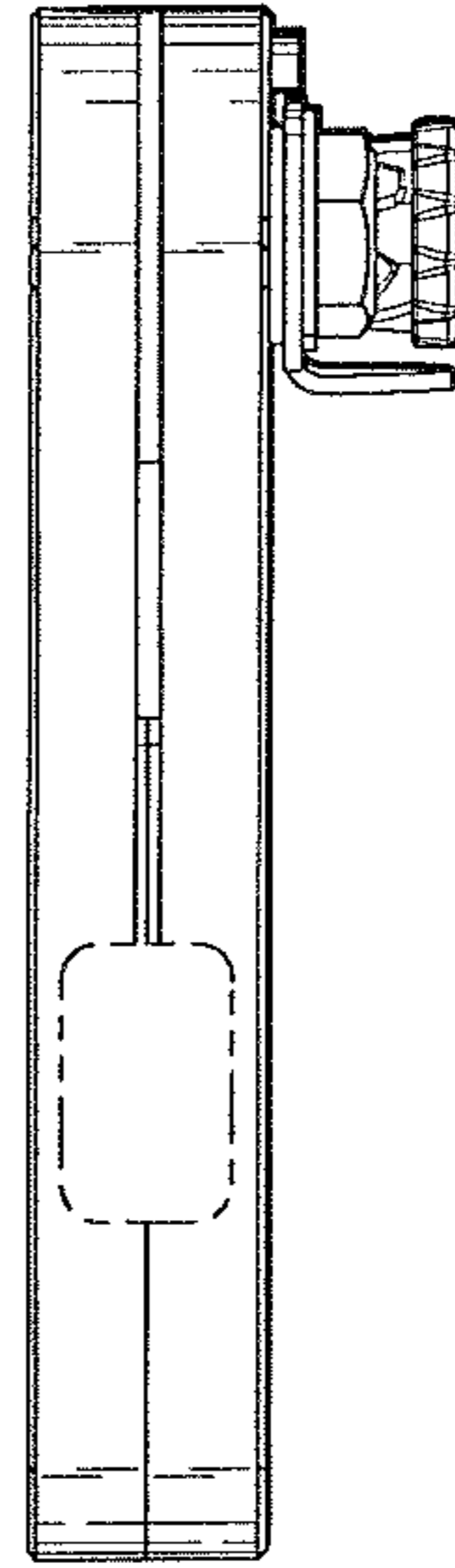


FIG. 5

FIG. 6

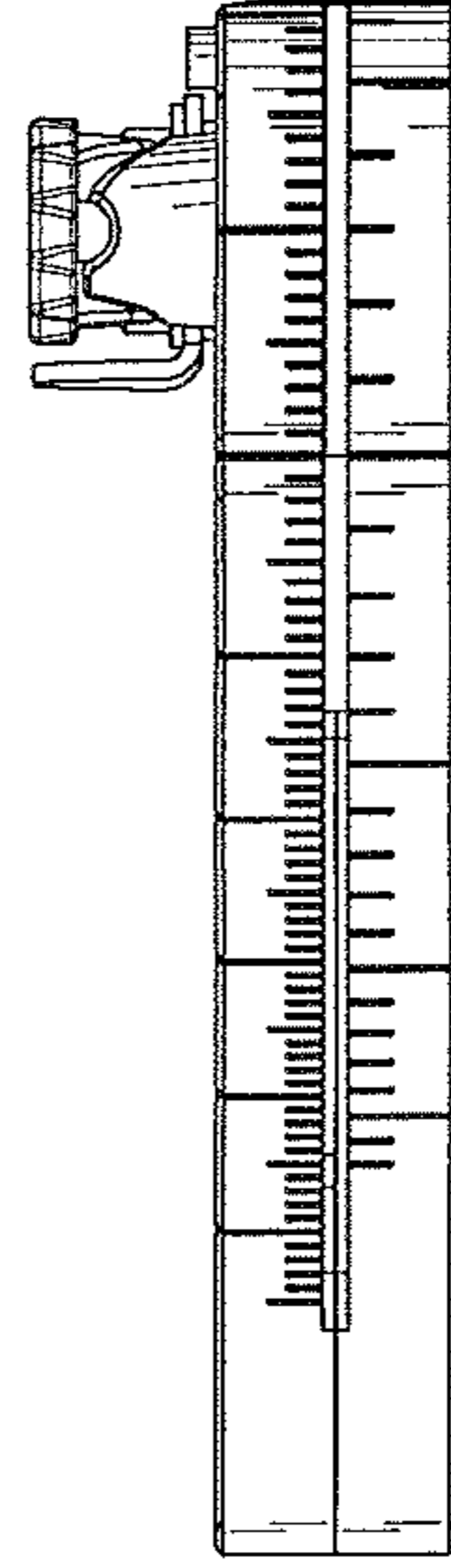


FIG. 7

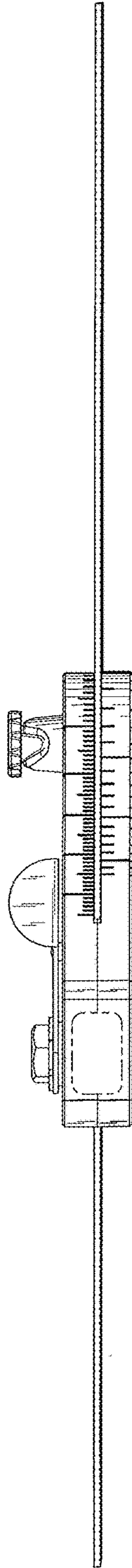


FIG. 8

