

US00D814319S

(12) **United States Design Patent** (10) **Patent No.:** **US D814,319 S**  
**von Burg** (45) **Date of Patent:** **\*\* Apr. 3, 2018**

(54) **WRIST WATCH**

(56) **References Cited**

(71) Applicant: **J.R. INTERNATIONAL GMBH**, Bern (CH)

U.S. PATENT DOCUMENTS

(72) Inventor: **Jennifer von Burg**, Grenchen (CH)

D476,908 S *	7/2003	Ellia .....	D10/39
D561,050 S *	2/2008	Laucella .....	D10/39
D595,595 S *	7/2009	Sirmakes .....	D10/32
D656,418 S *	3/2012	Scheufele .....	D10/39
D677,586 S *	3/2013	Graff .....	D10/36
D737,694 S *	9/2015	Engelbrecht .....	D10/126

(\*\*) Term: **15 Years**

\* cited by examiner

(21) Appl. No.: **35/502,039**

(22) Filed: **Jun. 9, 2016**

*Primary Examiner* — George D Kirschbaum

(80) **Hague Agreement Data**

(57) **CLAIM**

Int. Filing Date: **Jun. 9, 2016**

The ornamental design for a wrist watch, as shown and described.

Int. Reg. No.: **DM/091661**

Int. Reg. Date: **Jun. 9, 2016**

Int. Reg. Pub. Date: **Dec. 9, 2016**

**DESCRIPTION**

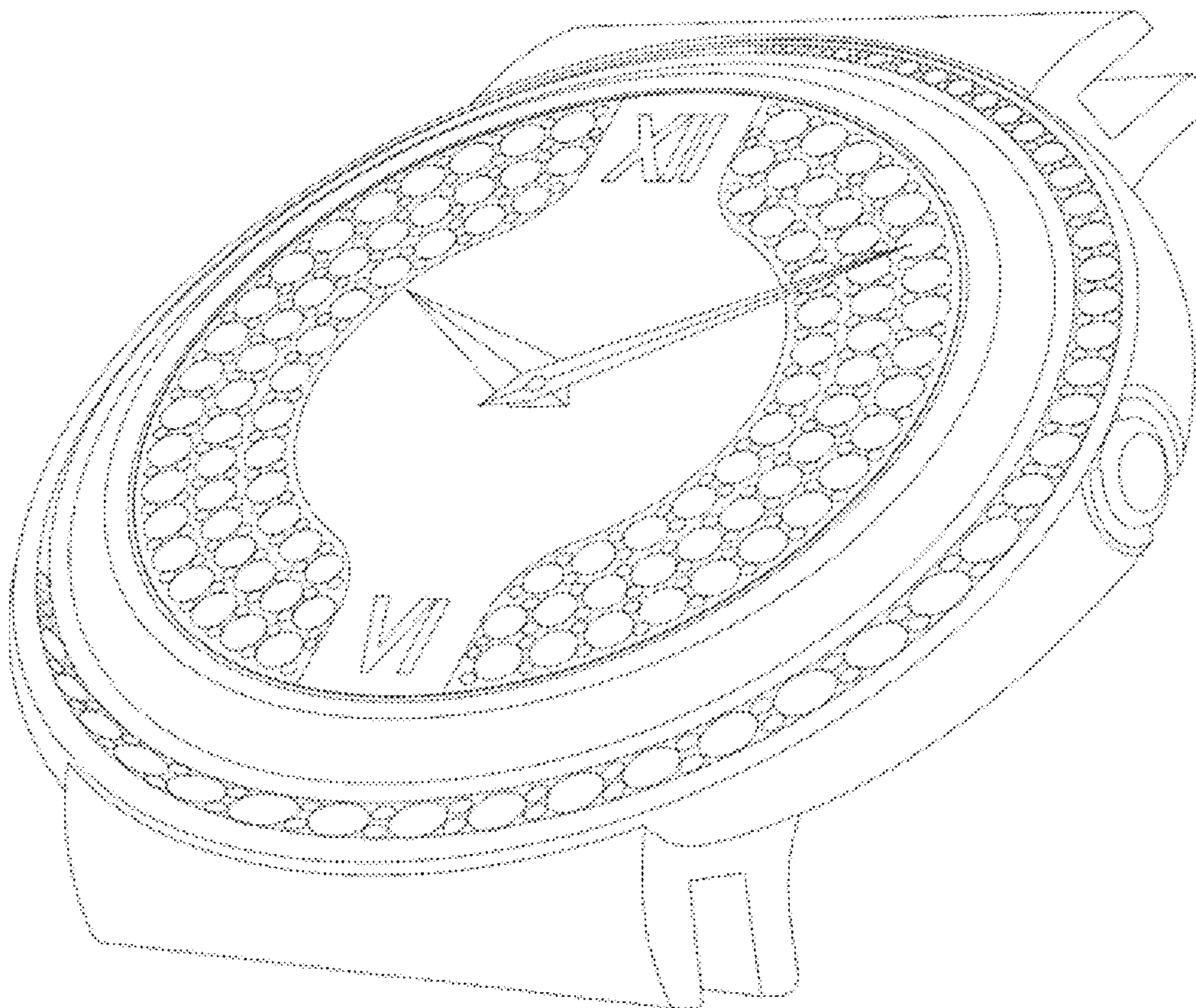
(51) **LOC (11) Cl.** ..... **10-02**

(52) **U.S. Cl.**  
USPC ..... **D10/39**

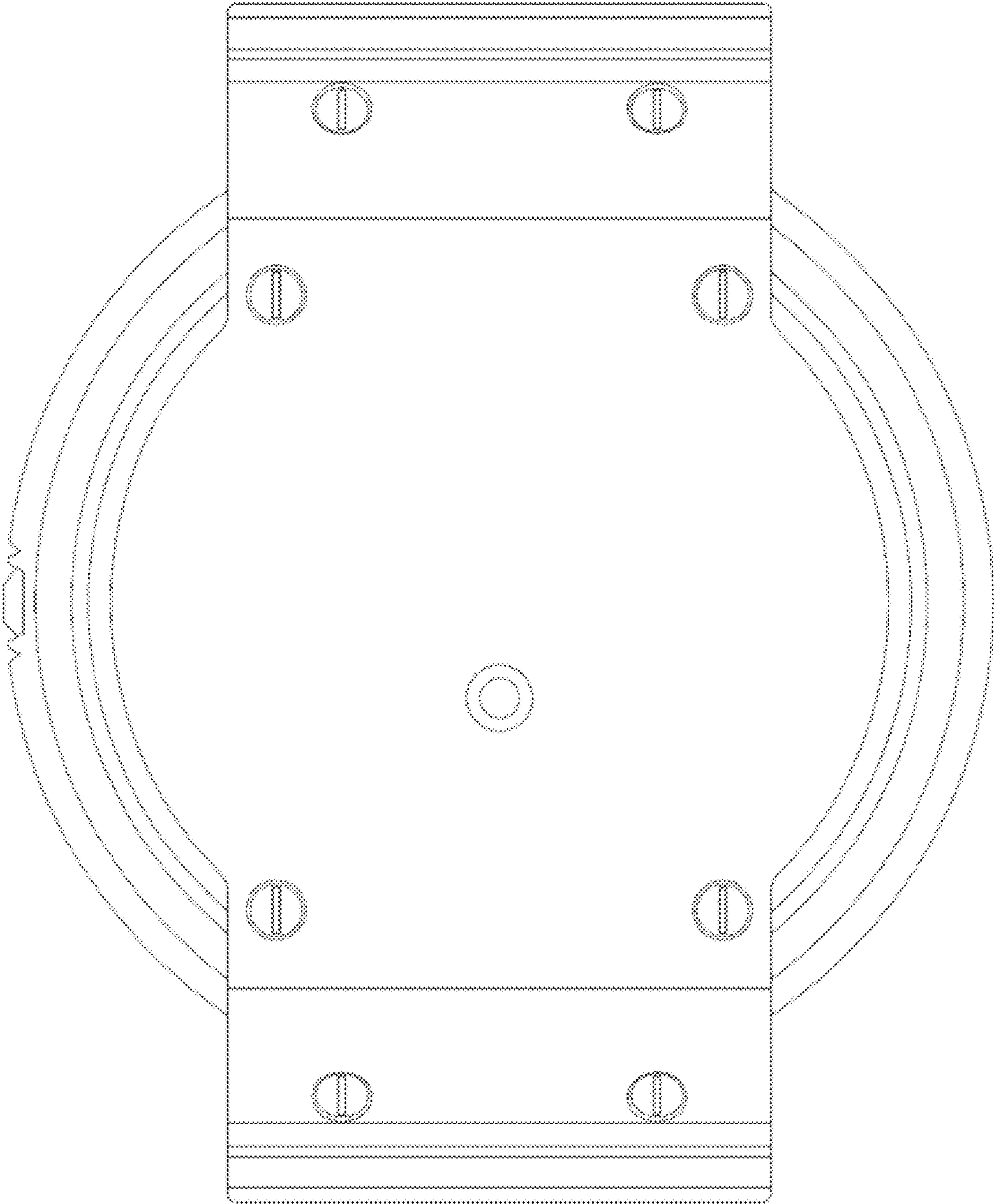
(58) **Field of Classification Search**  
USPC ..... D10/30, 32, 38, 39, 126  
CPC ..... G04B 19/00  
See application file for complete search history.

- 1. Wrist watch
- 1.1 : Back
- 1.2 : Top
- 1.3 : Bottom
- 1.4 : Left
- 1.5 : Right
- 1.6 : Perspective
- 1.7 : Front

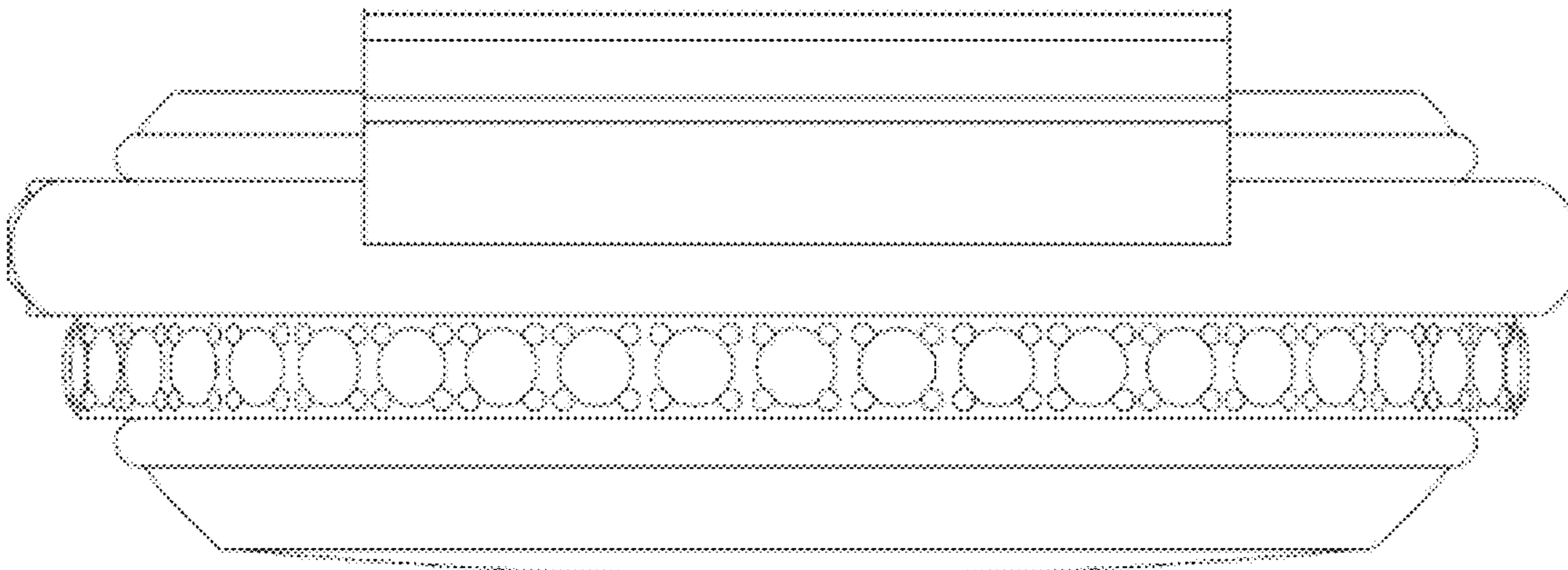
**1 Claim, 7 Drawing Sheets**



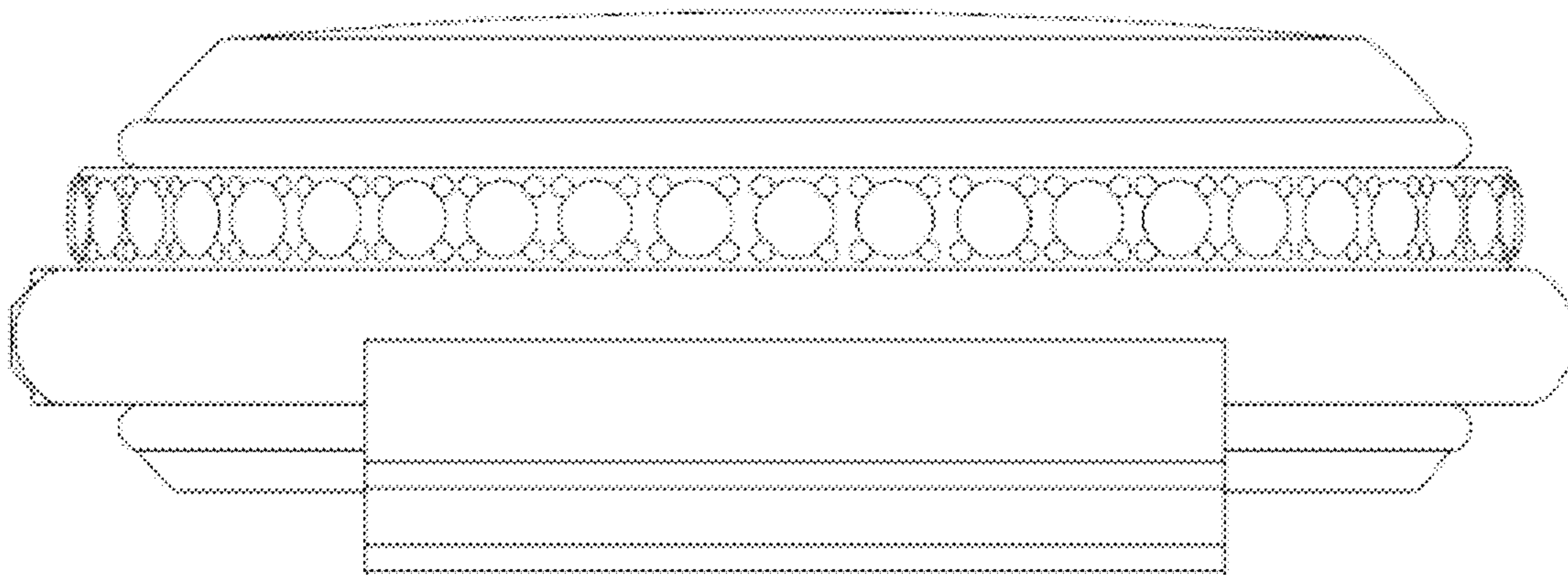
1.1



**1.2**

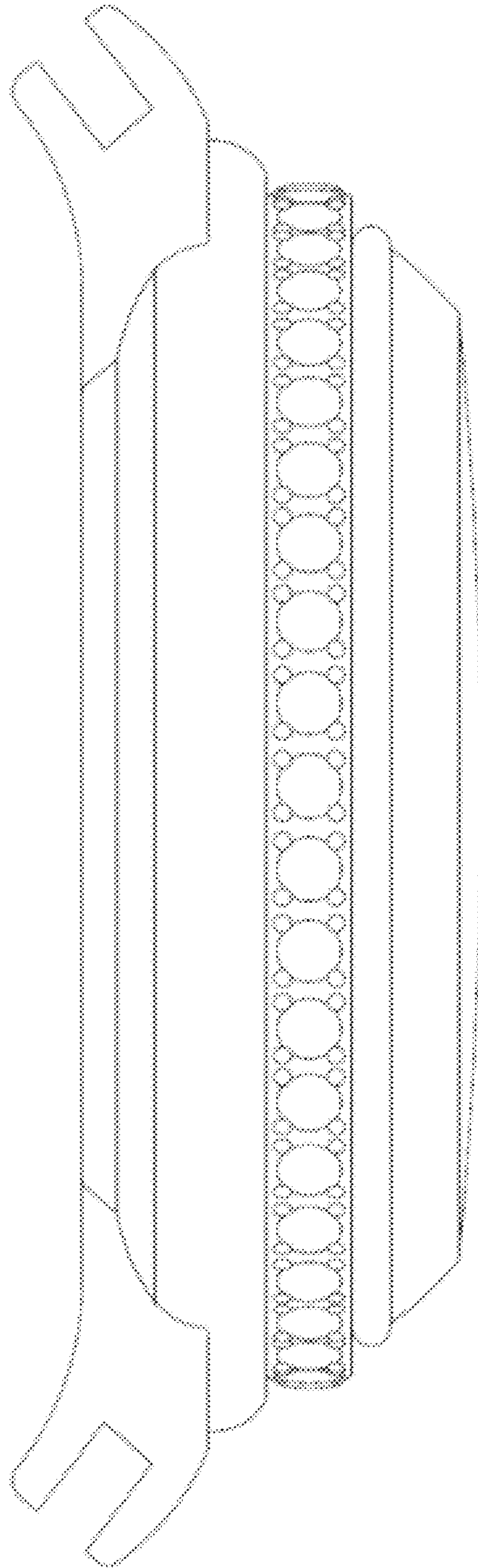


**1.3**

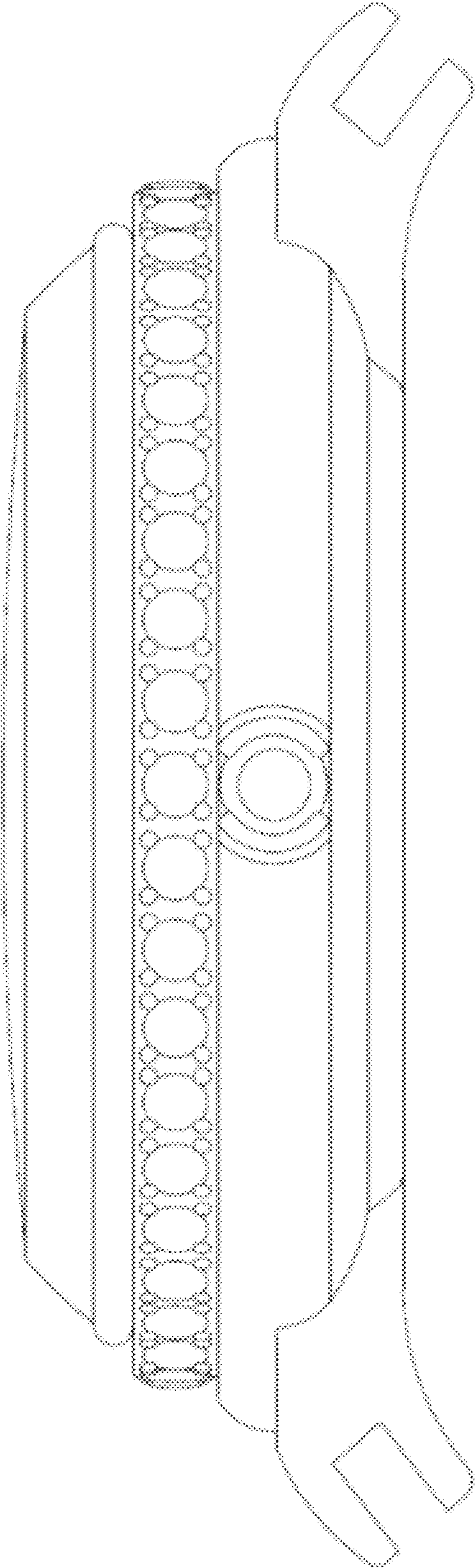




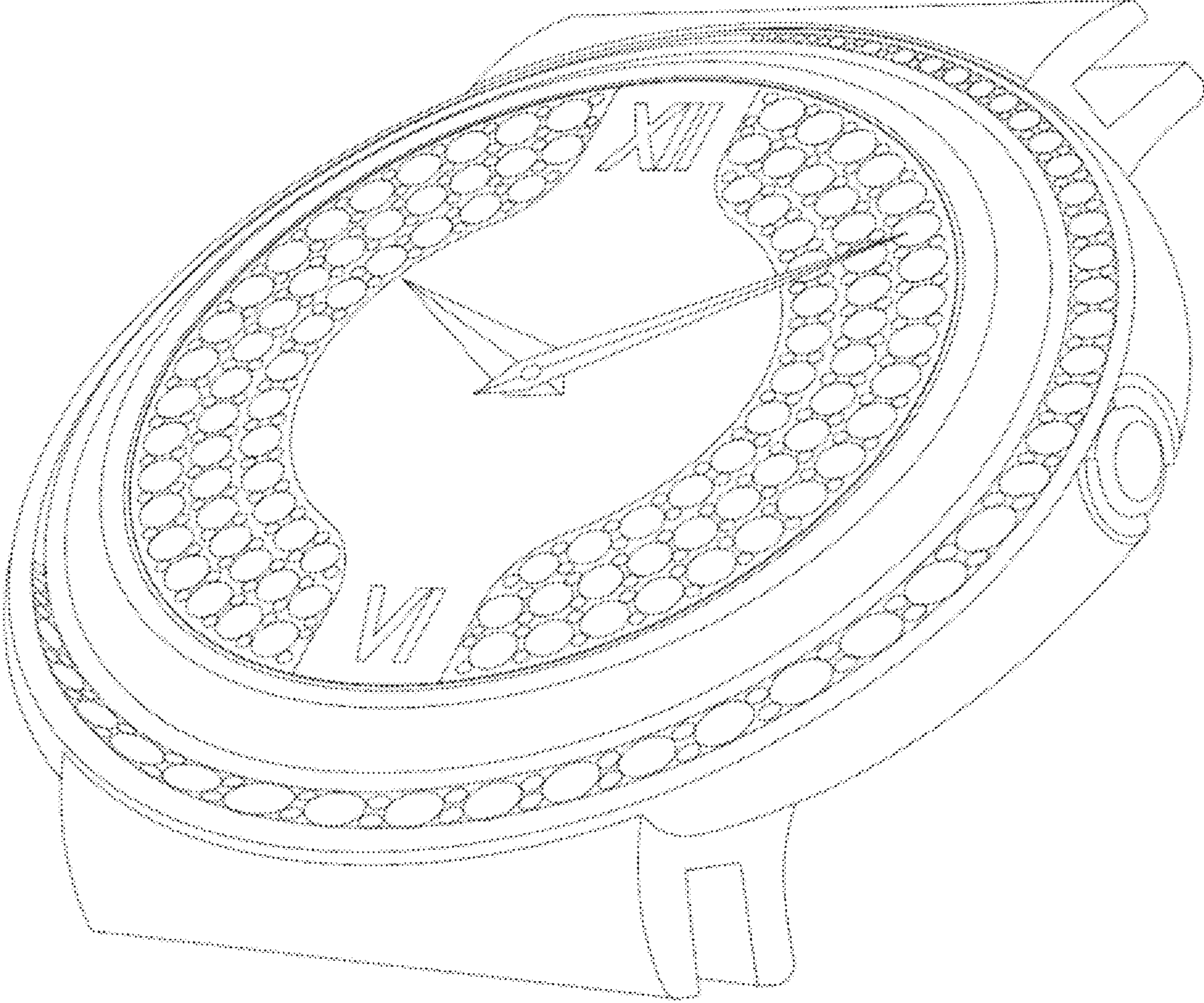
**1.4**



**1.5**



1.6





1.7

